



US00D695158S

(12) **United States Design Patent**
Nosworthy

(10) **Patent No.:** **US D695,158 S**
(45) **Date of Patent:** **** Dec. 10, 2013**

(54) **LADDER BAR GUSSET**

(76) Inventor: **Dennis Michael Nosworthy**, Coto de Caza, CA (US)

(**) Term: **14 Years**

(21) Appl. No.: **29/431,950**

(22) Filed: **Sep. 12, 2012**

(51) **LOC (9) Cl.** **12-16**

(52) **U.S. Cl.**
USPC **D12/159**

(58) **Field of Classification Search**
USPC D12/159; 280/124.155, 124.147,
280/124.145, 124.146, 86.752, 11.225;
188/281, 298, 297, 315, 316, 274, 286;
267/195, 136, 64.15, 217; 464/173;
293/134

See application file for complete search history.

(56) **References Cited**

U.S. PATENT DOCUMENTS

3,011,226 A * 12/1961 Menge 411/466
6,698,775 B2 * 3/2004 Ness 280/86.757

D670,004 S * 10/2012 Nosworthy D25/68
8,376,380 B2 * 2/2013 Smith 280/124.104
2006/0207822 A1 * 9/2006 Taylor 180/326
2009/0173033 A1 * 7/2009 Baxter, Jr. 52/646

* cited by examiner

Primary Examiner — Michael A Pratt

(74) *Attorney, Agent, or Firm* — Curtis L. Harrington;
Harrington & Harrington

(57) **CLAIM**

The ornamental design for a ladder bar gusset, as shown and described.

DESCRIPTION

FIG. 1 is a perspective view of a ladder bar gusset;
FIG. 2 is a front view thereof, a rear view being a mirror image thereof;
FIG. 3 is a right side thereof;
FIG. 4 is a left side thereof;
FIG. 5 is a bottom view thereof; and,
FIG. 6 is a top view thereof.

1 Claim, 3 Drawing Sheets

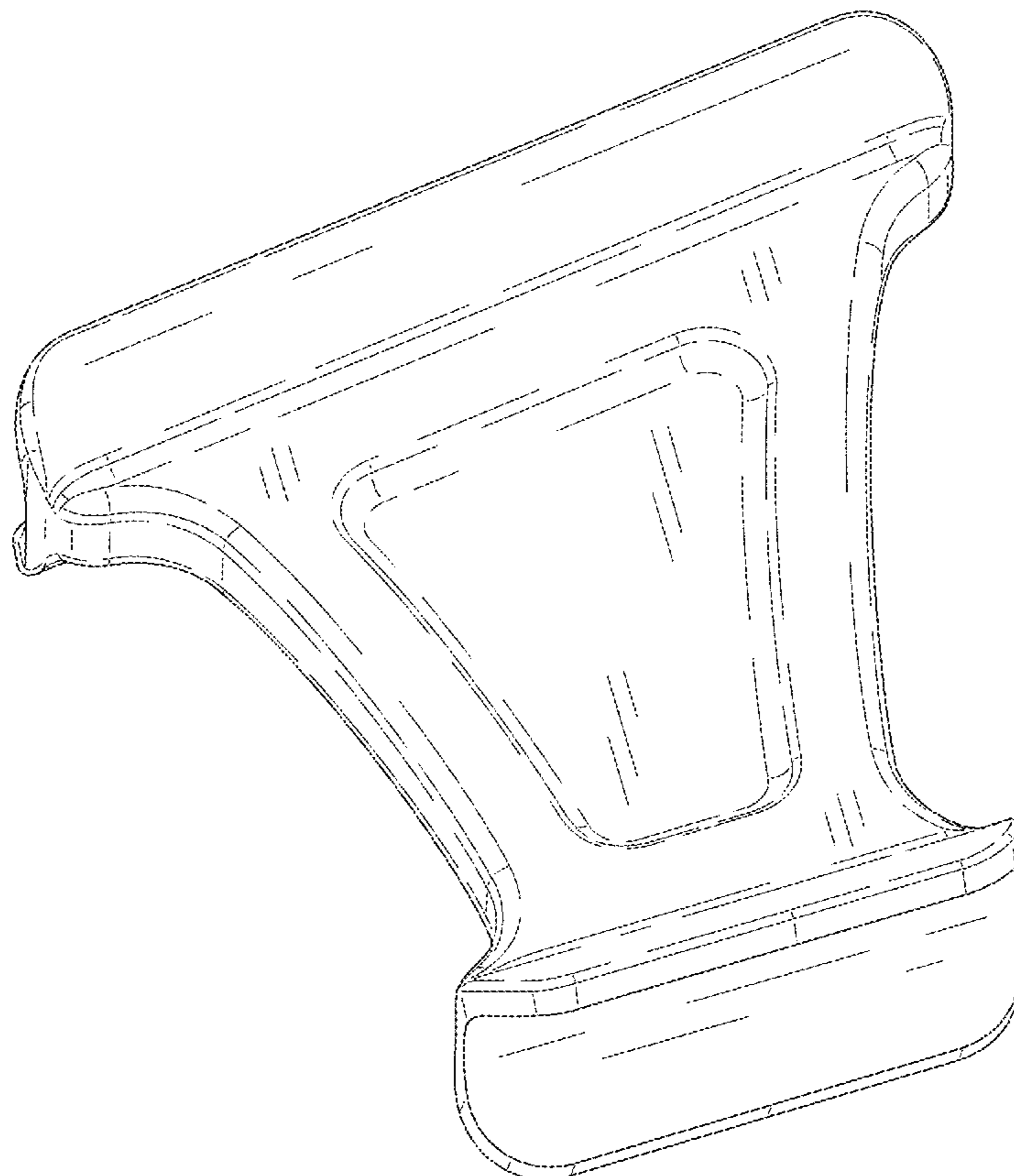


Fig. 1

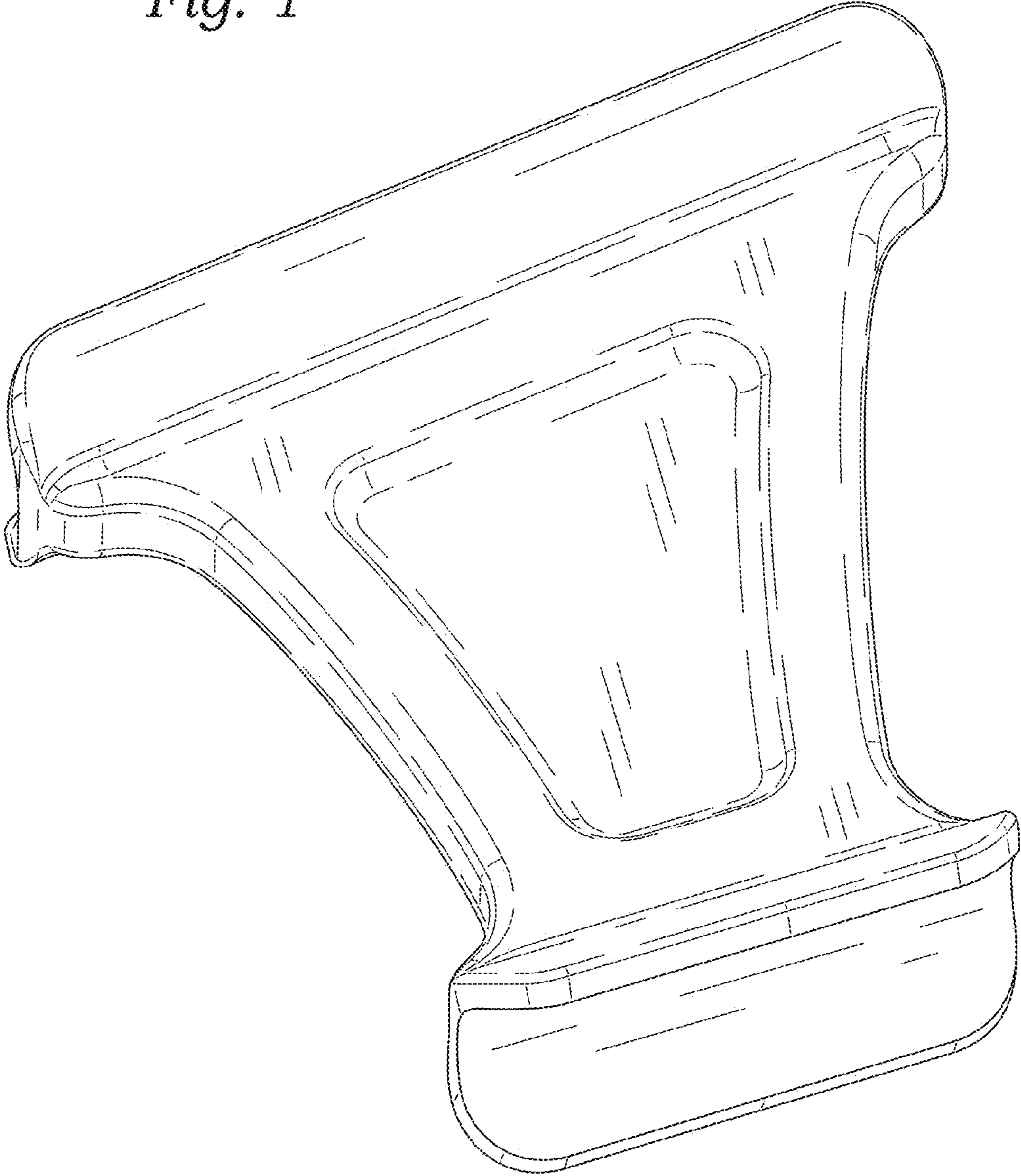


Fig. 4

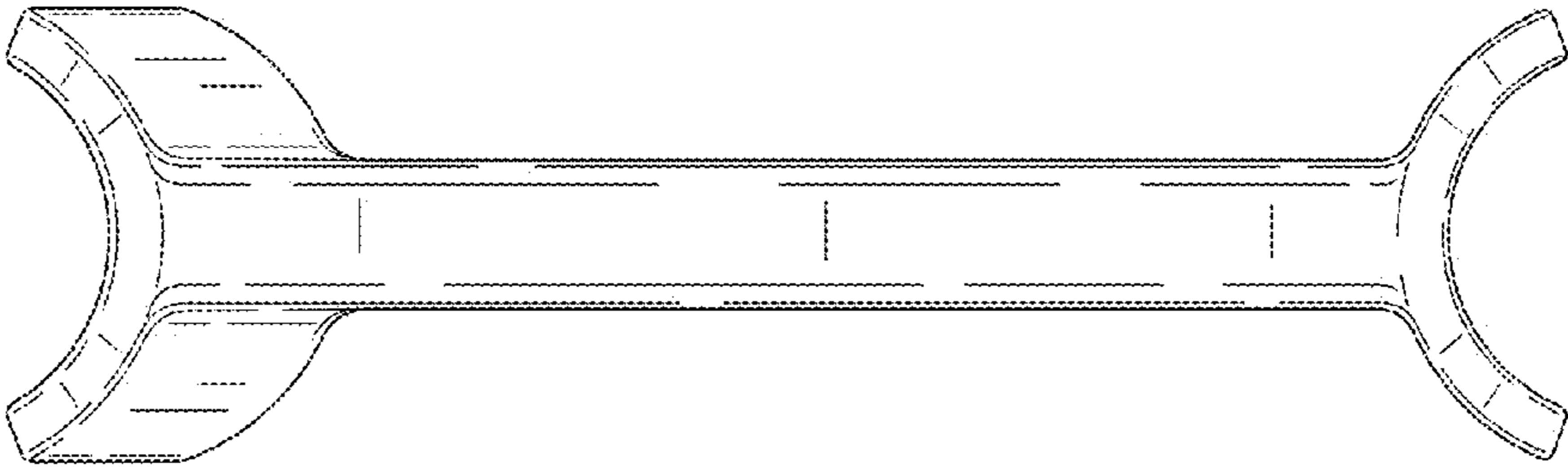


Fig. 3

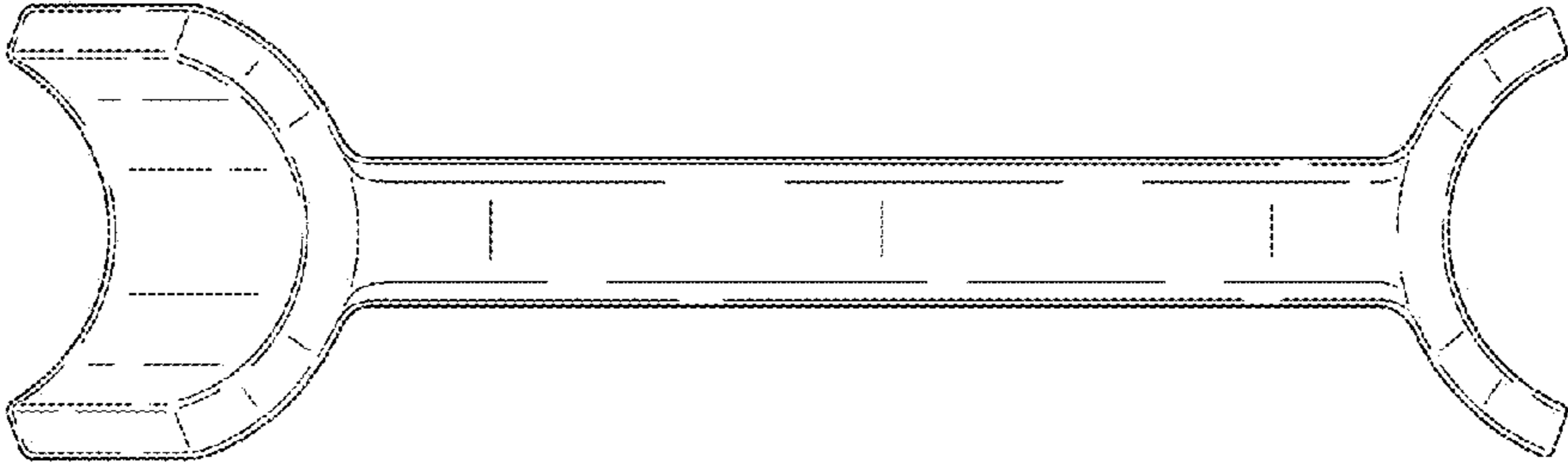


Fig. 2

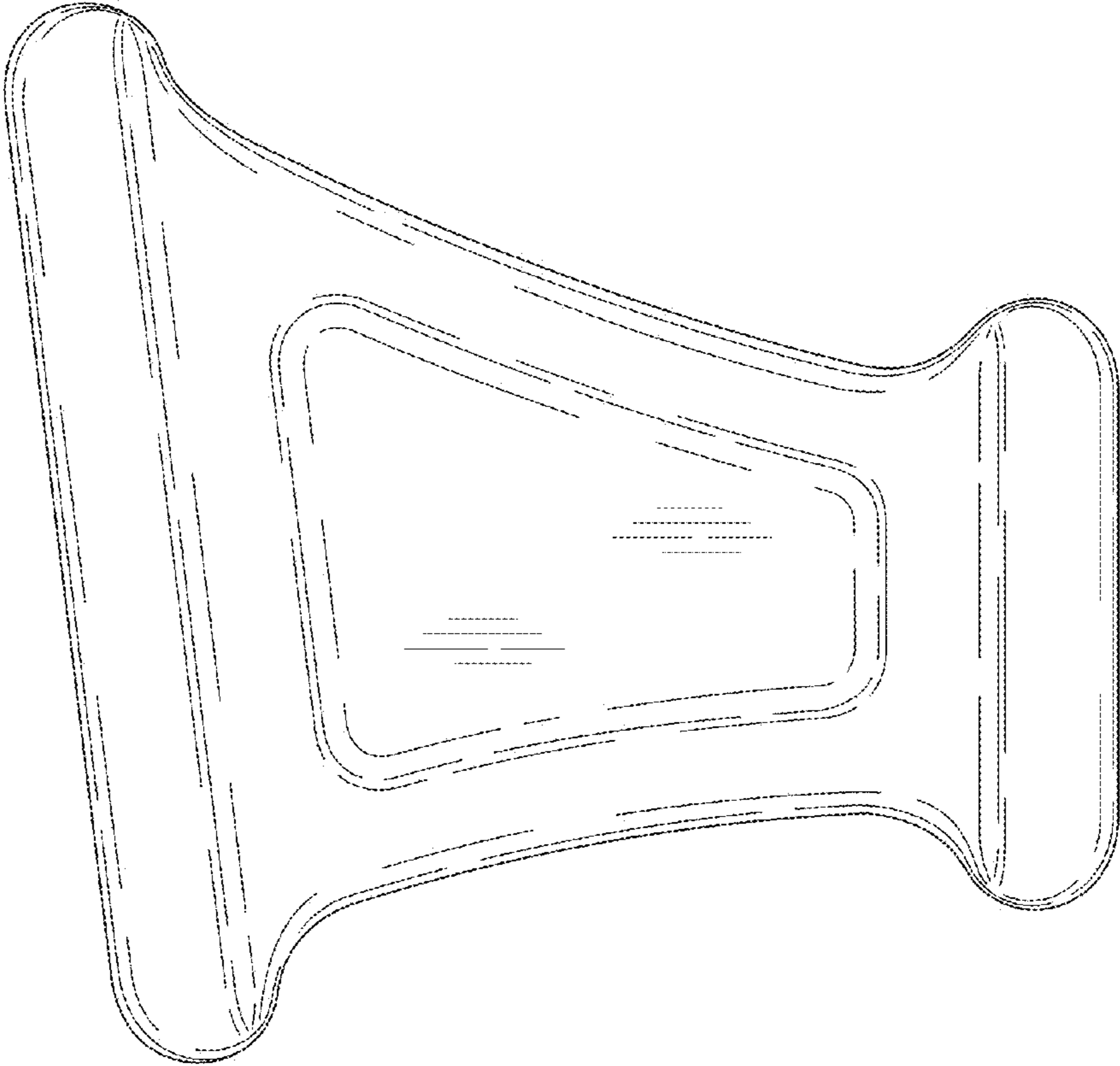


Fig. 5

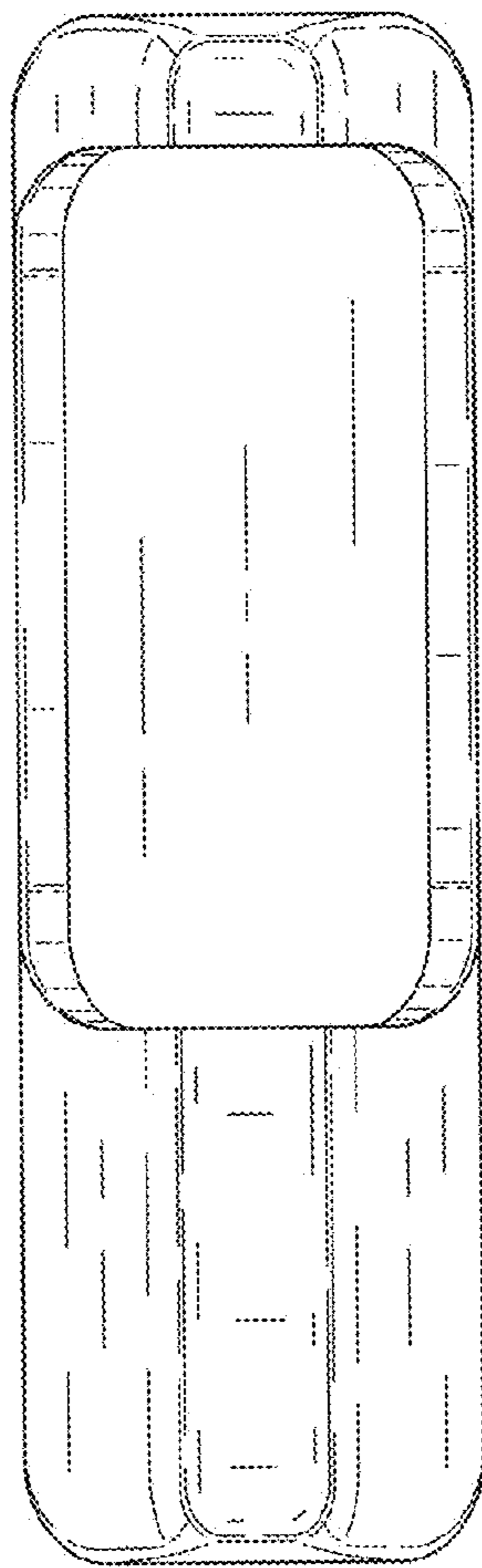


Fig. 6

