



US00D695156S

(12) **United States Design Patent**
Jessie et al.

(10) **Patent No.:** **US D695,156 S**
(45) **Date of Patent:** **** Dec. 10, 2013**

- (54) **WEB FOR A CHILD VEHICLE**
- (71) Applicant: **Huffy Corporation**, Centerville, OH (US)
- (72) Inventors: **Donald K. Jessie**, Middletown, OH (US); **Jordan Leonard Schank**, West Chester, OH (US)
- (73) Assignee: **Huffy Corporation**, Centerville, OH (US)
- (**) Term: **14 Years**
- (21) Appl. No.: **29/451,305**
- (22) Filed: **Mar. 29, 2013**

Related U.S. Application Data

- (62) Division of application No. 29/404,916, filed on Oct. 26, 2011.
- (51) **LOC (9) Cl.** **12-11**
- (52) **U.S. Cl.**
USPC **D12/117**
- (58) **Field of Classification Search**
USPC D12/108, 111-113, 117, 122, 182;
D21/427, 428, 538; 280/827, 828, 7.1,
280/281.1, 288.1-288.4, 293, 755, 763.1,
280/259, 274-288; 296/77.1, 78.1
See application file for complete search history.

(56) **References Cited**

U.S. PATENT DOCUMENTS

- D196,125 S * 8/1963 Hanna D12/108
- 4,067,589 A * 1/1978 Hon 280/278

- D283,606 S * 4/1986 Moulton D12/111
- 4,813,696 A * 3/1989 Moulton 280/281.1
- D325,009 S * 3/1992 O'Donovan et al. D12/111
- D368,679 S * 4/1996 Dietz et al. D12/111
- D372,212 S * 7/1996 Dietz et al. D12/111
- D410,416 S * 6/1999 Huang D12/111
- 6,951,344 B2 * 10/2005 De Oliveira 280/281.1
- D535,588 S * 1/2007 Moulton D12/111

* cited by examiner

Primary Examiner — Susan M Lee

Assistant Examiner — Linda Brooks

(74) *Attorney, Agent, or Firm* — Wood, Herron & Evans, LLP

(57) **CLAIM**

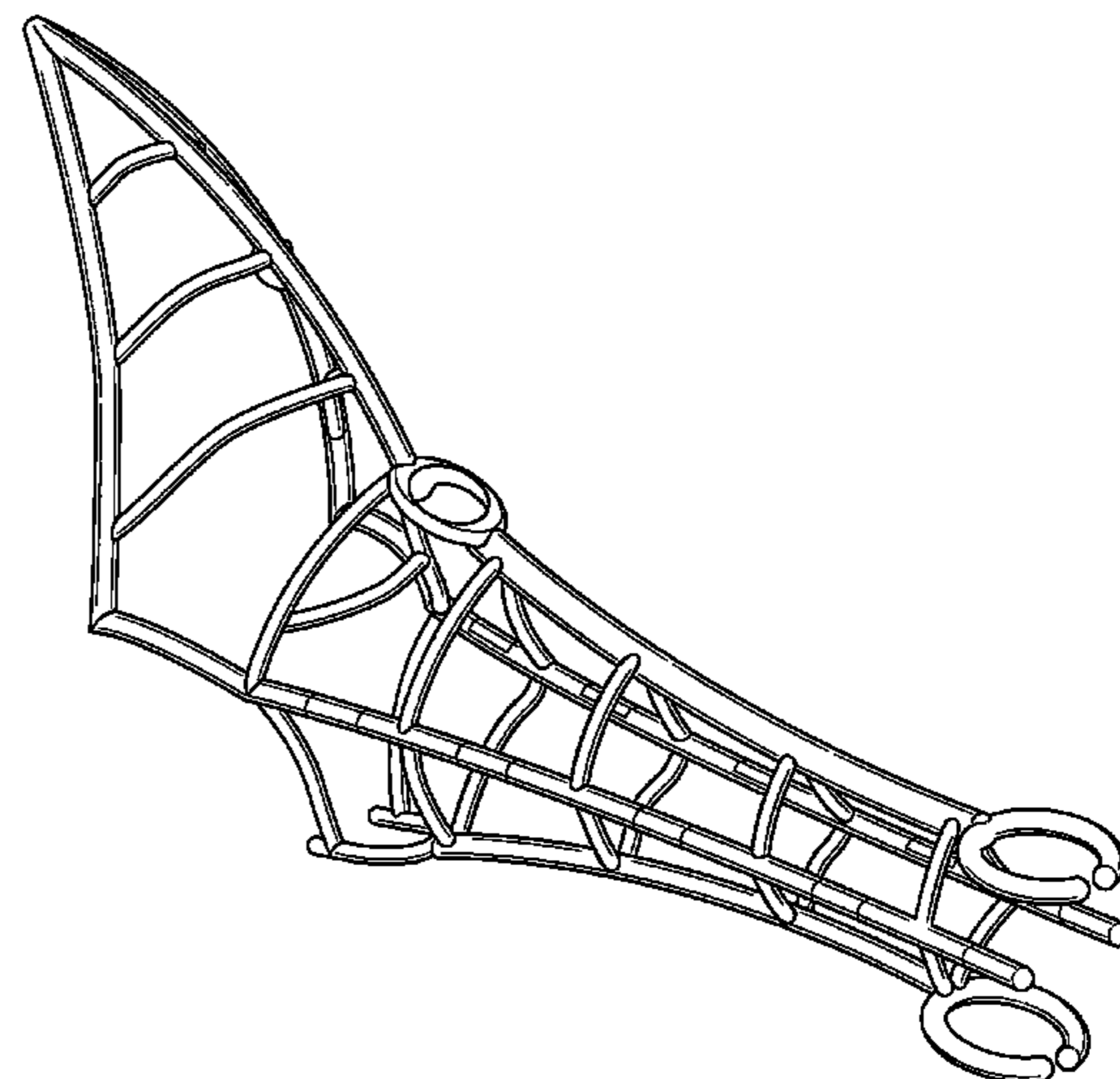
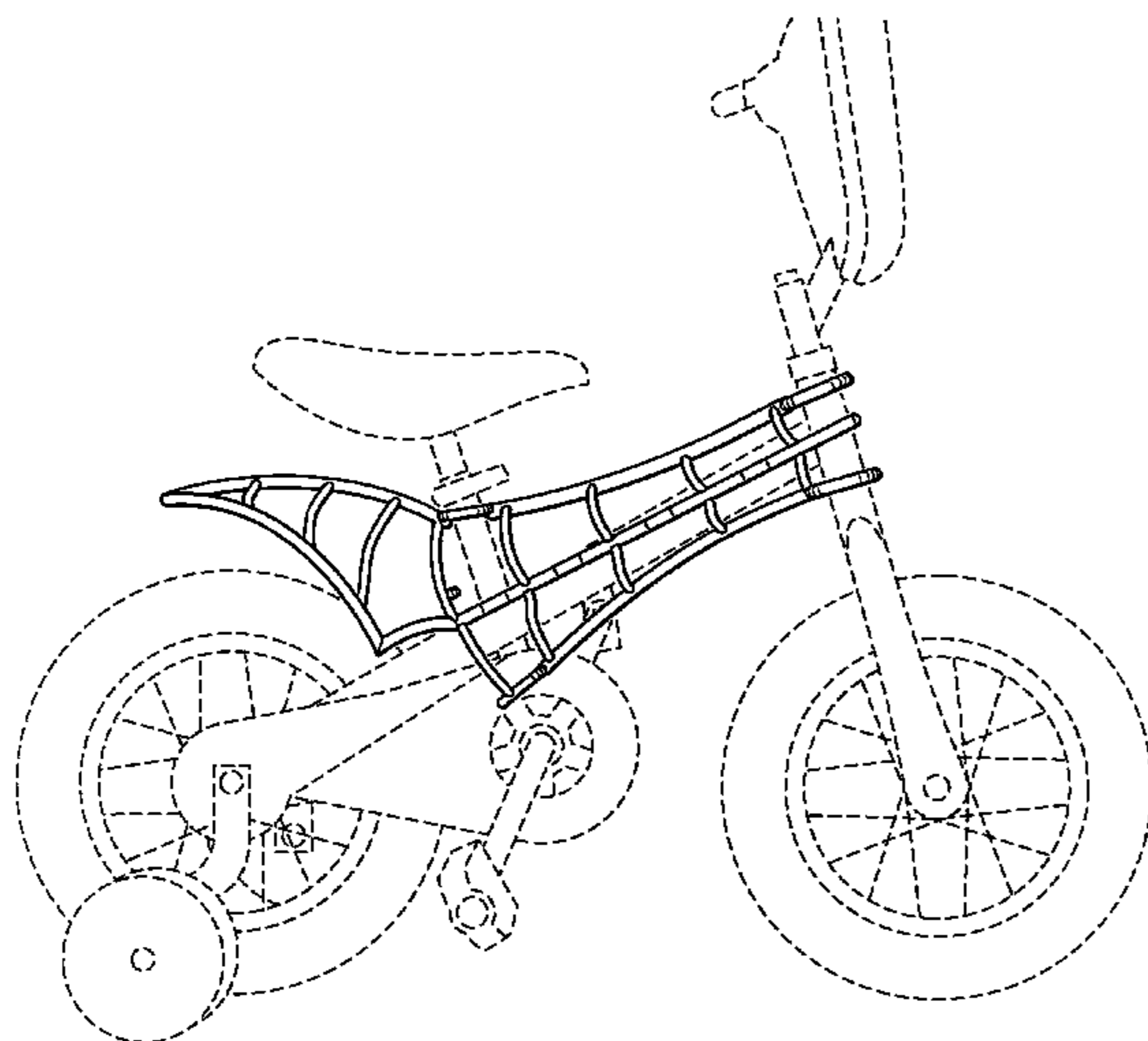
The ornamental design for a web for a child vehicle, as shown and described.

DESCRIPTION

FIG. 1 is a left side view of my new, original and ornamental design;
 FIG. 2 is a front perspective view thereof;
 FIG. 3 is another left side view thereof, the right side view being a mirror image thereof;
 FIG. 4 is a front view thereof;
 FIG. 5 is a rear view thereof;
 FIG. 6 is a top view thereof; and,
 FIG. 7 is a bottom view thereof.

The broken dash lines in the web for a child vehicle are directed to environment and are for illustrative purposes only. The broken dash lines form no part of the claimed design. Additionally, the unshown portion of the web for a child vehicle forms no part of the claimed design.

1 Claim, 6 Drawing Sheets



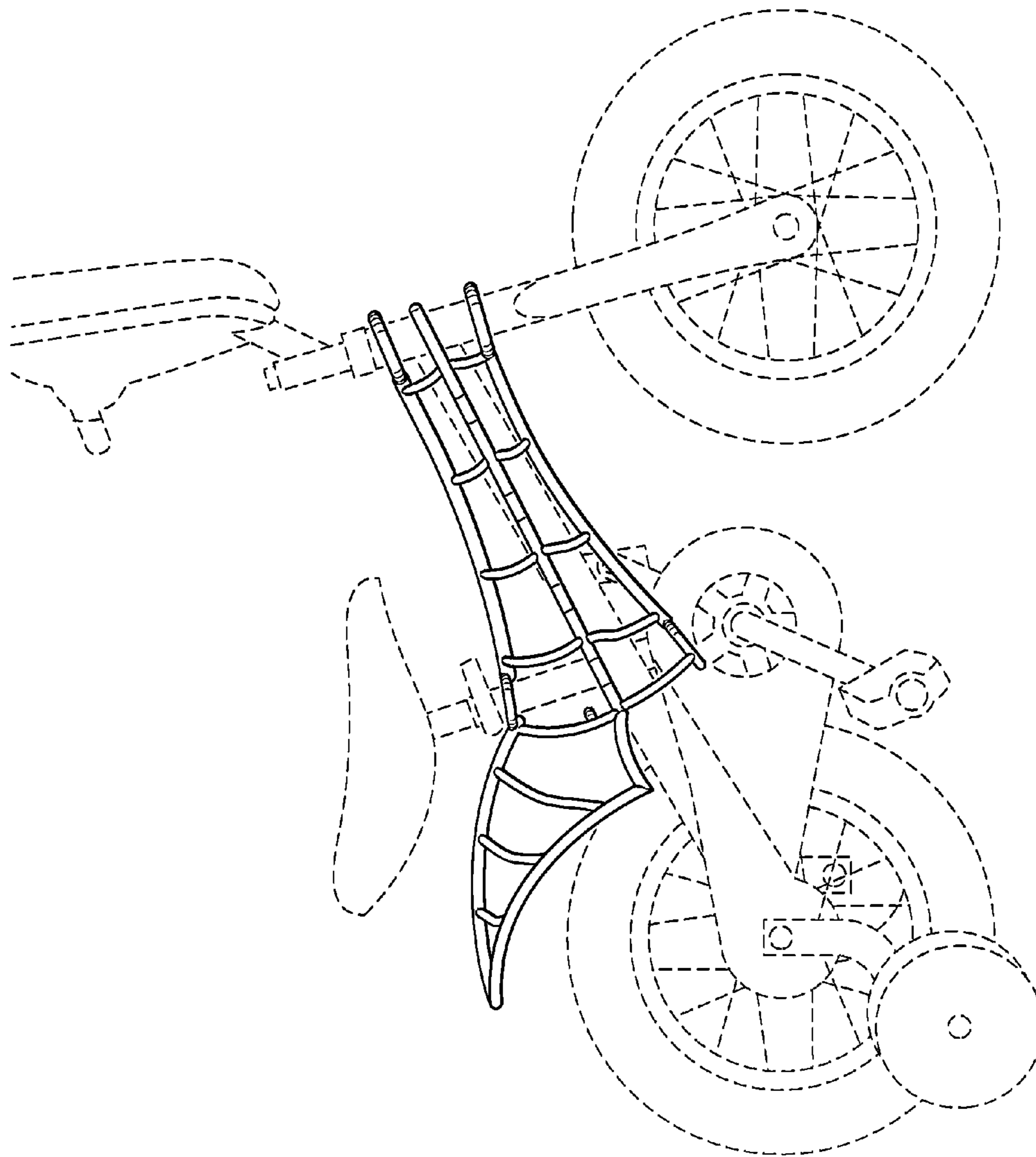


FIG. 1

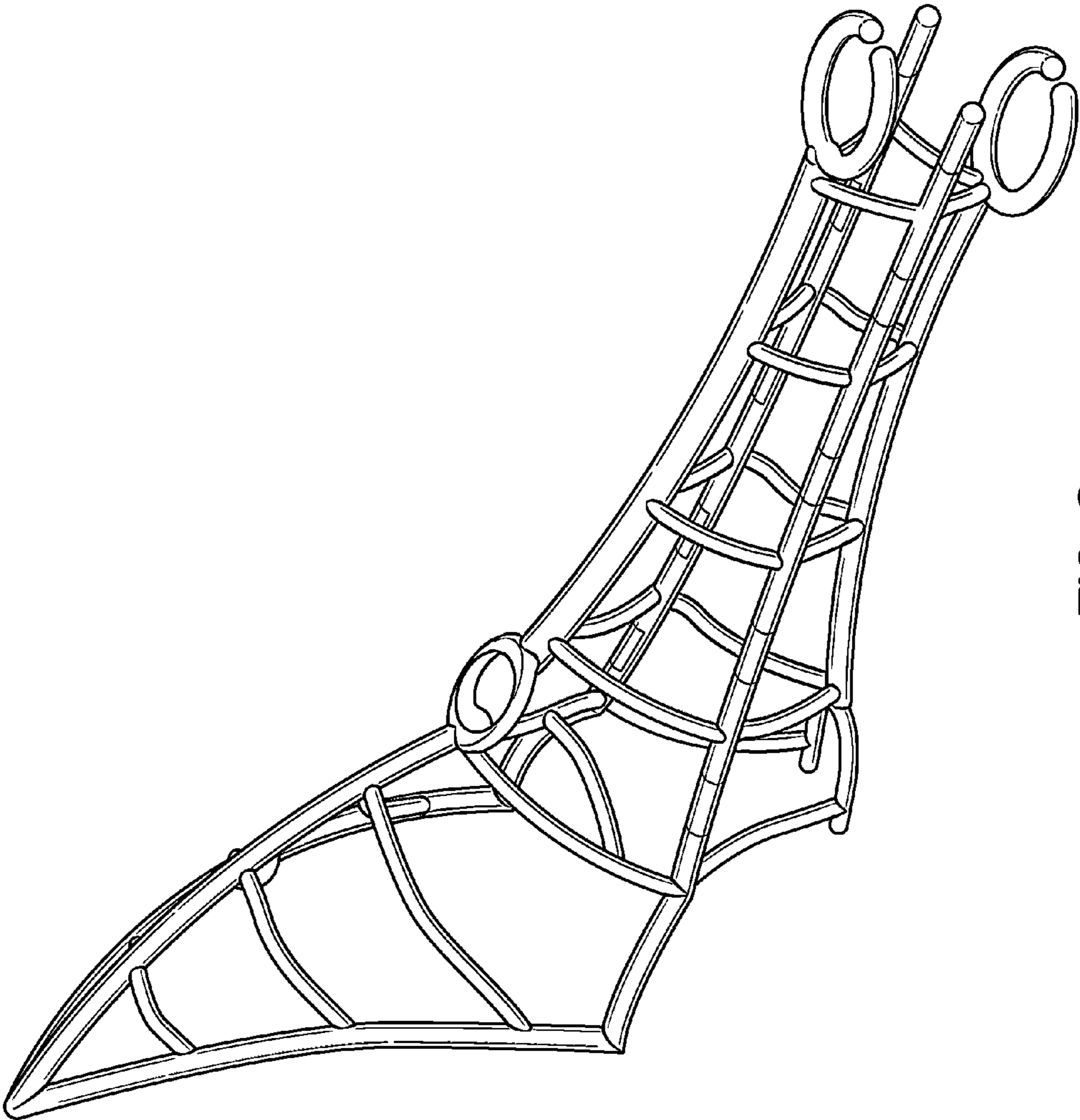


FIG. 2

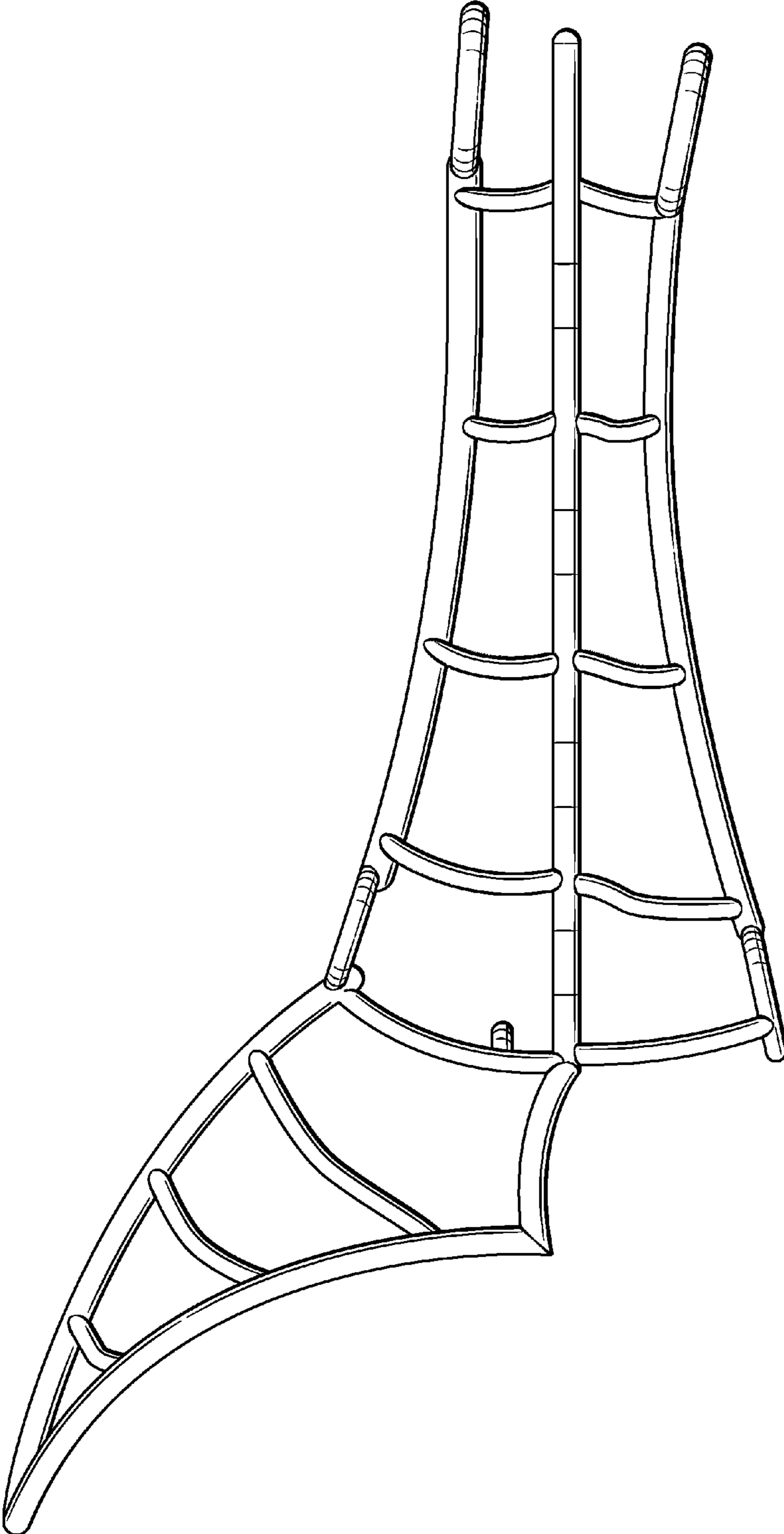


FIG. 3

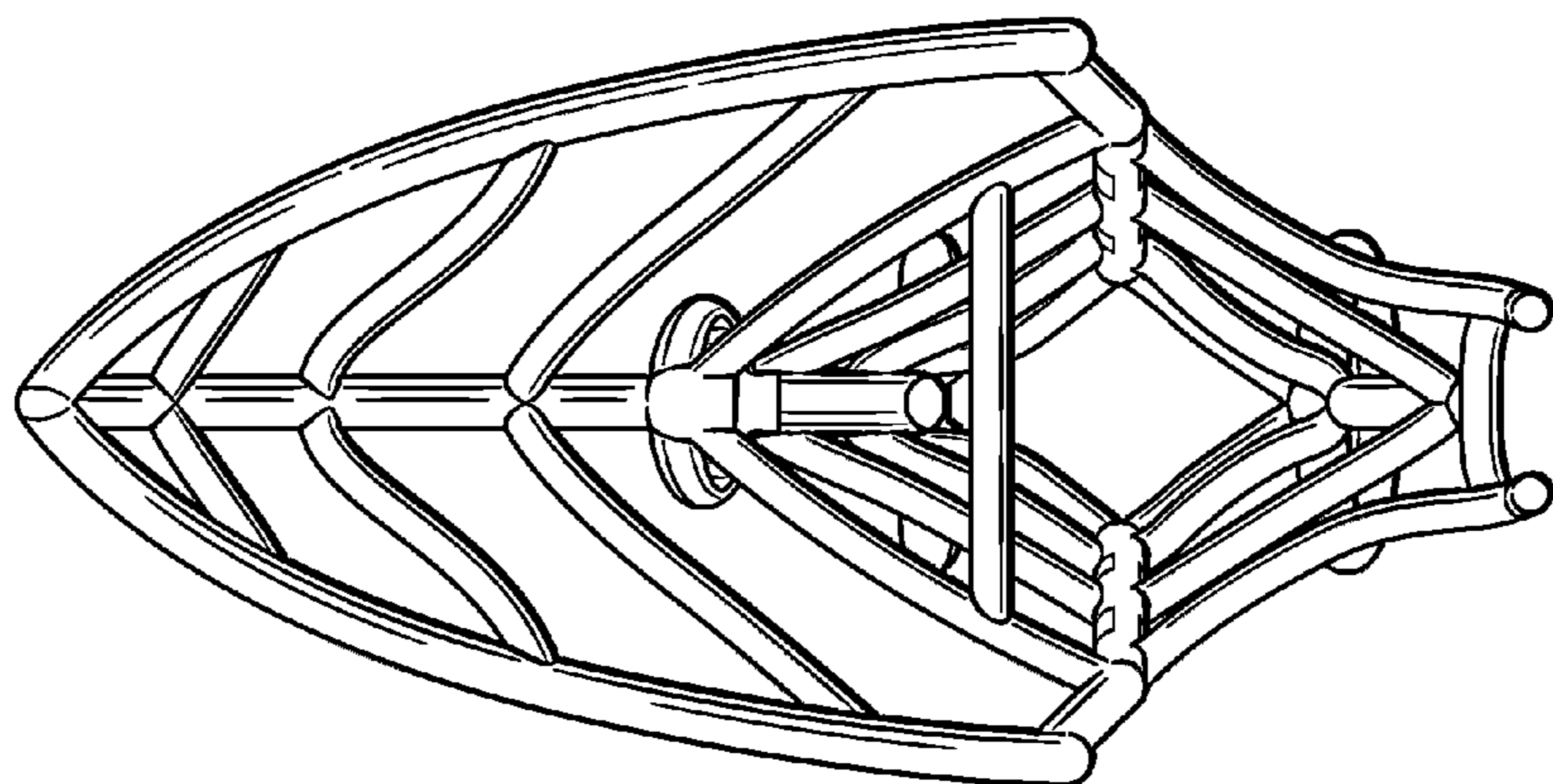


FIG. 5

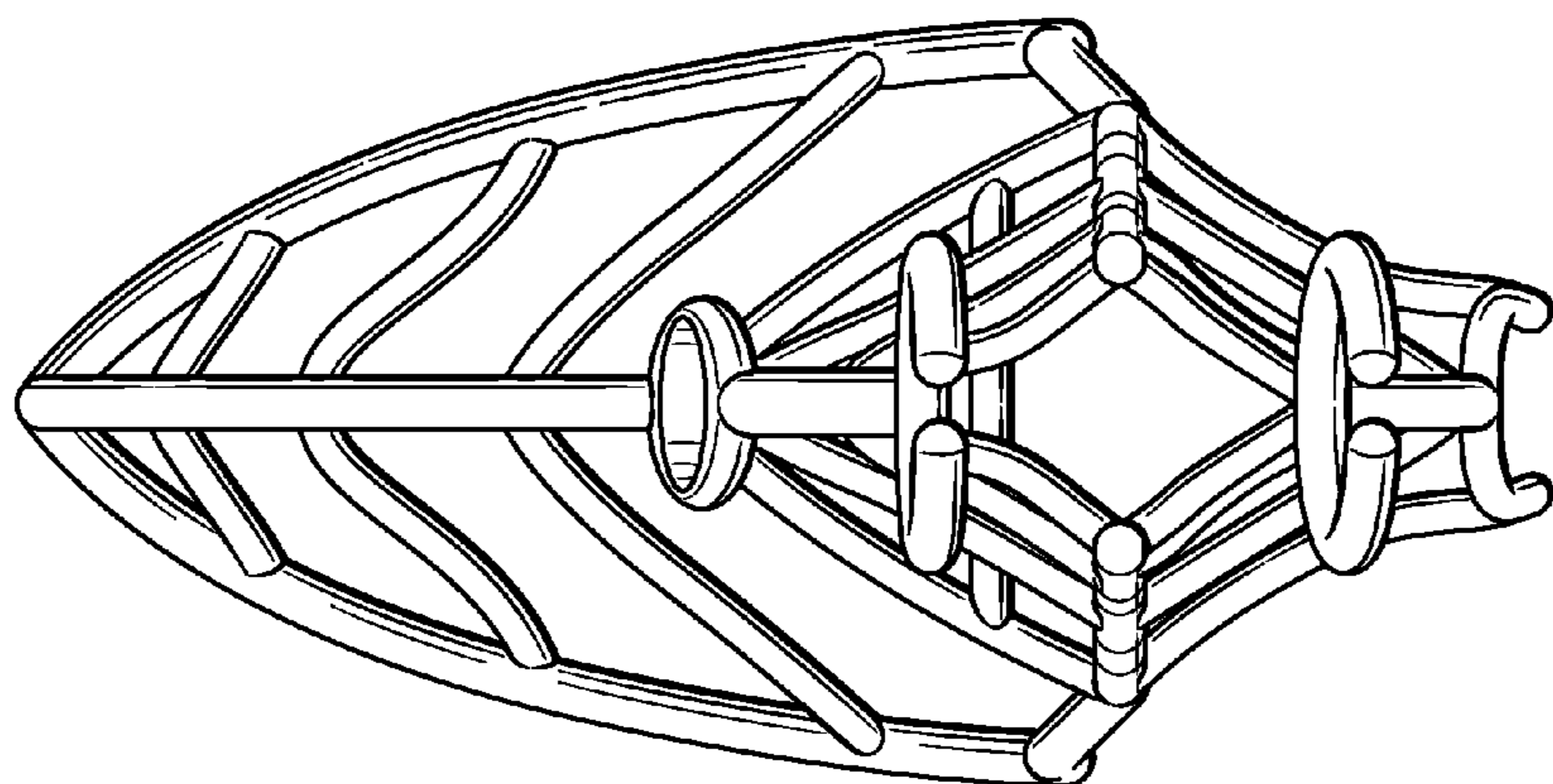


FIG. 4

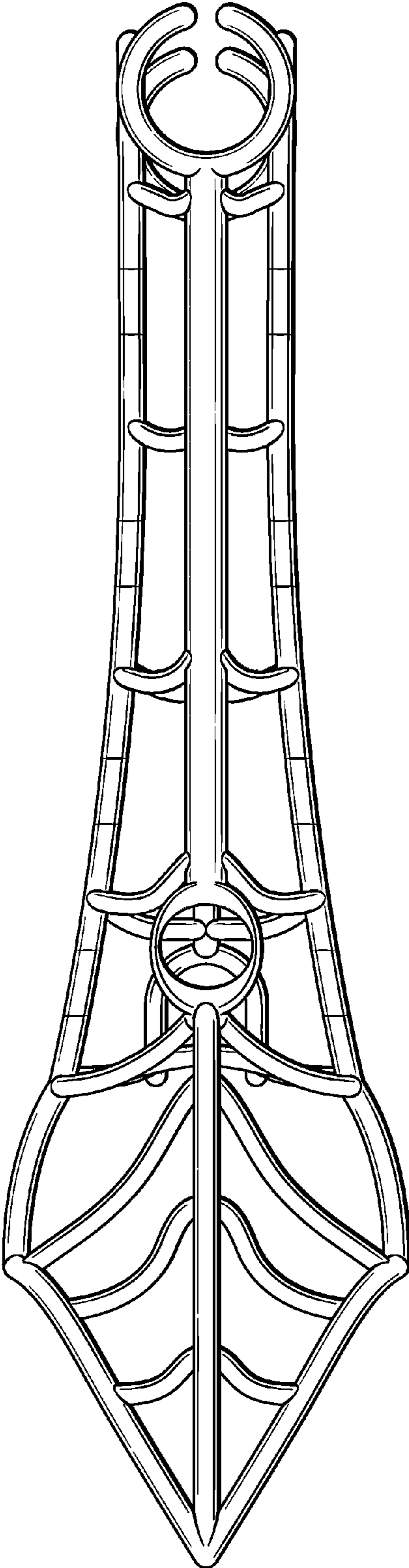


FIG. 6

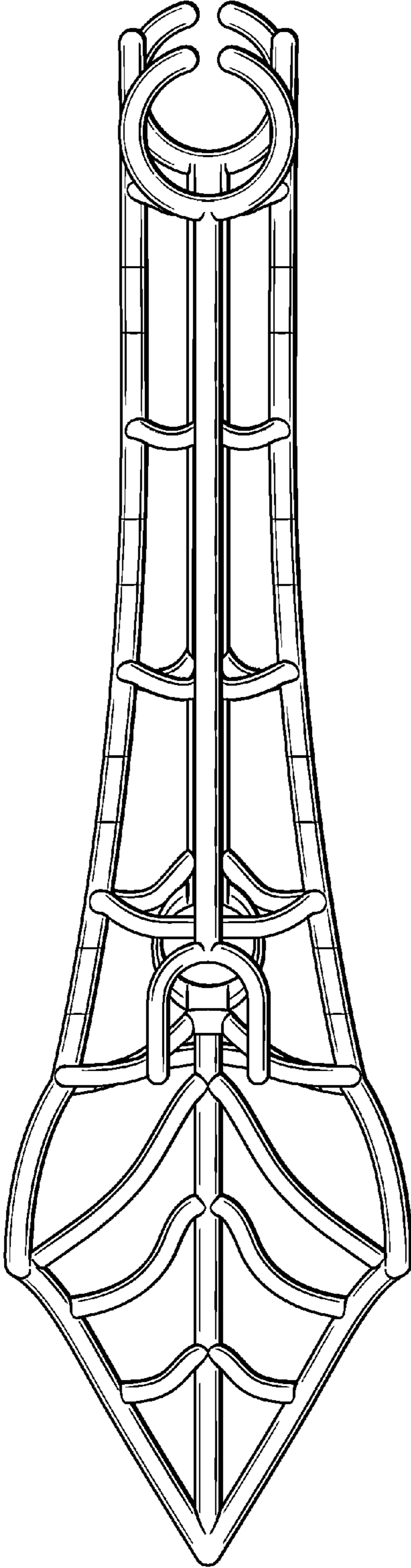


FIG. 7