



US00D695155S

(12) **United States Design Patent**
Knapp

(10) **Patent No.:** **US D695,155 S**

(45) **Date of Patent:** **** Dec. 10, 2013**

(54) **HANDICAPPED-ACCESSIBLE
THREE-WHEELED MOTORCYCLE**

(71) Applicant: **Robert L. Knapp**, Ft. Myers, FL (US)

(72) Inventor: **Robert L. Knapp**, Ft. Myers, FL (US)

(**) Term: **14 Years**

(21) Appl. No.: **29/440,490**

(22) Filed: **Dec. 21, 2012**

(51) **LOC (9) Cl.** **12-11**

(52) **U.S. Cl.**
USPC **D12/112; D12/110**

(58) **Field of Classification Search**
USPC D12/1, 128, 131, 107, 110, 112;
180/219, 220, 210, 211, 53, 6.11, 315,
180/215, 217; 280/304.1, 304.2

See application file for complete search history.

(56) **References Cited**

U.S. PATENT DOCUMENTS

4,518,057 A * 5/1985 McCallum 180/210
D647,426 S * 10/2011 Ward D12/1
2010/0096204 A1 * 4/2010 Mosey et al. 180/210

* cited by examiner

Primary Examiner — Susan M Lee

Assistant Examiner — Linda Brooks

(74) *Attorney, Agent, or Firm* — William E. Noonan

(57) **CLAIM**

The ornamental design for a handicapped-accessible three-wheeled motorcycle, as shown and described.

DESCRIPTION

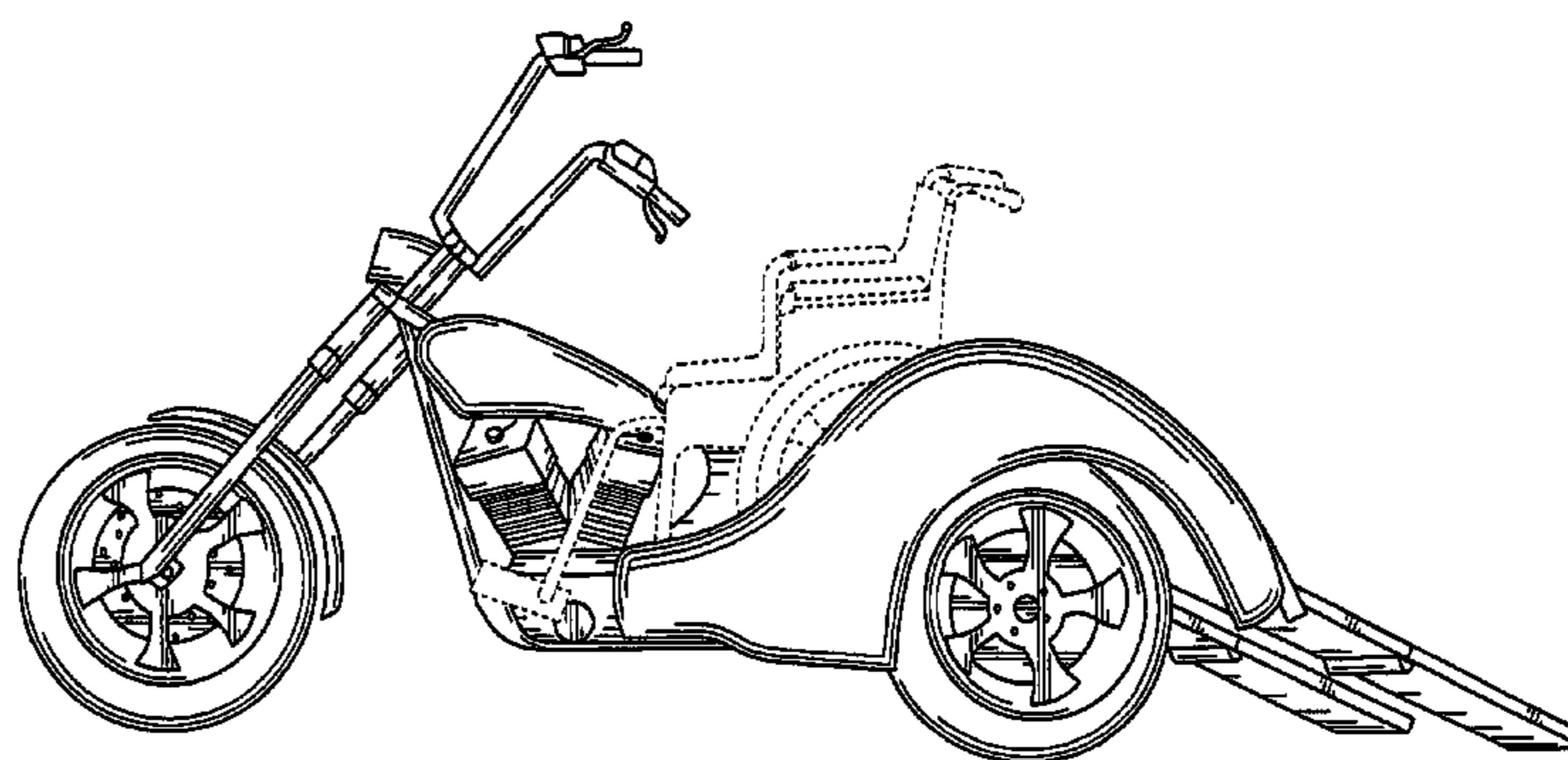
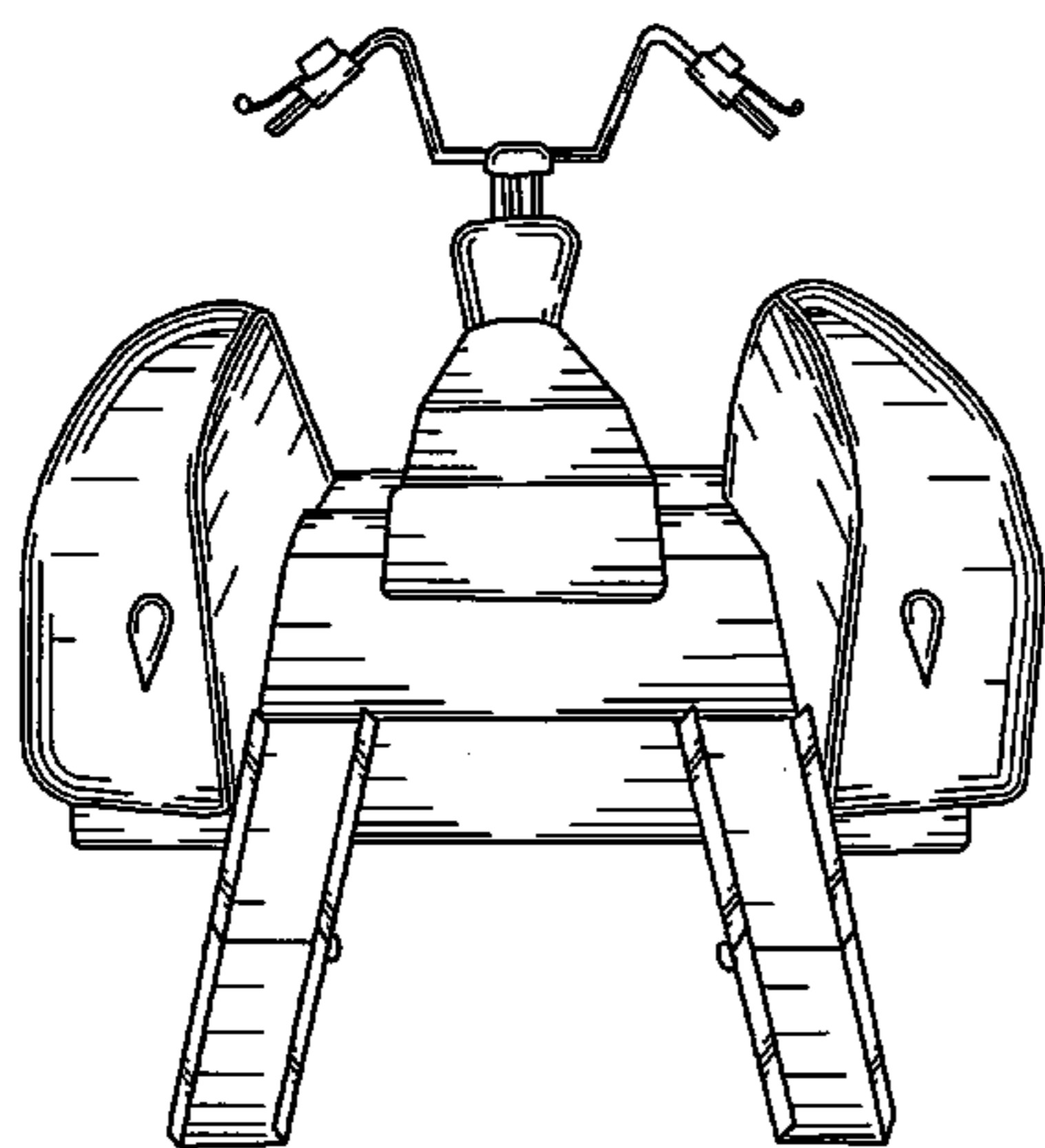
FIG. 1 is a front view of my design with the ramps retracted. FIG. 2 is a rear view thereof with the ramps extended.

FIG. 3 is a right side elevational view of FIG. 1, showing a wheelchair in position of use and in broken lines as forming no part of the claimed design.

FIG. 4 is a left side elevational view showing a wheelchair mounted atop of FIG. 2, but with an unclaimed wheelchair shown in broken lines; and,

FIG. 5 is a top plan view of FIG. 2.

1 Claim, 5 Drawing Sheets



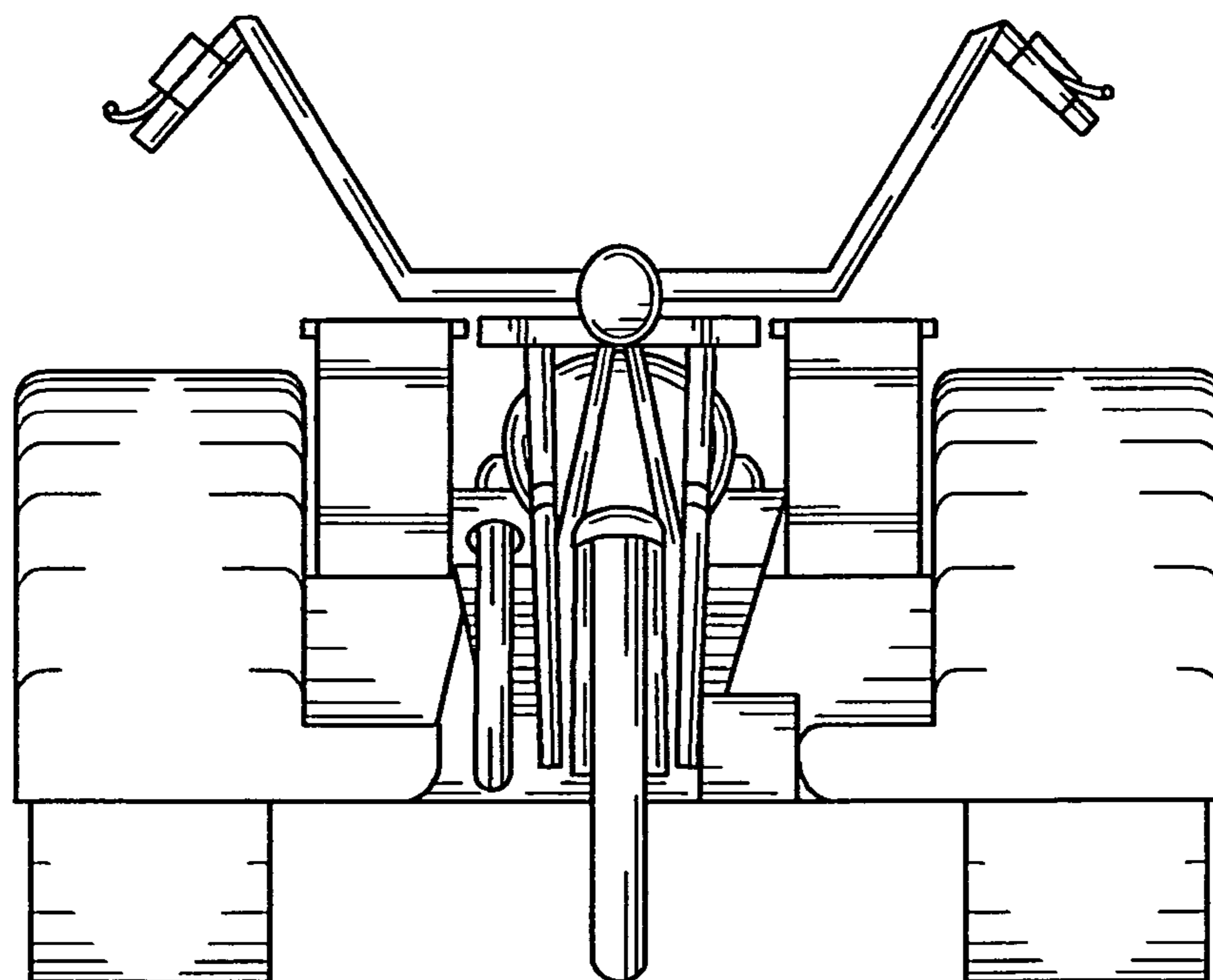


FIG. 1

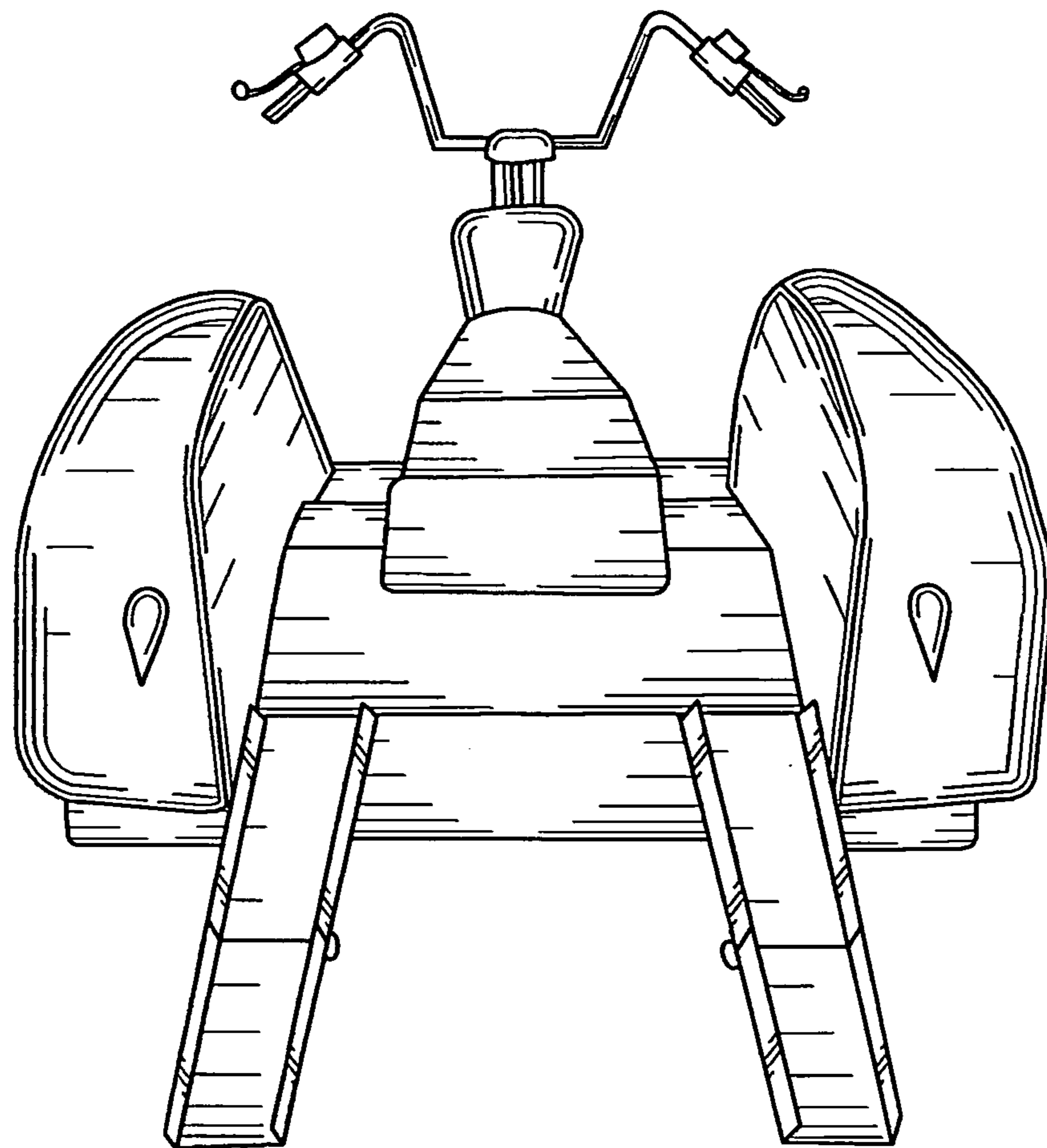


FIG. 2

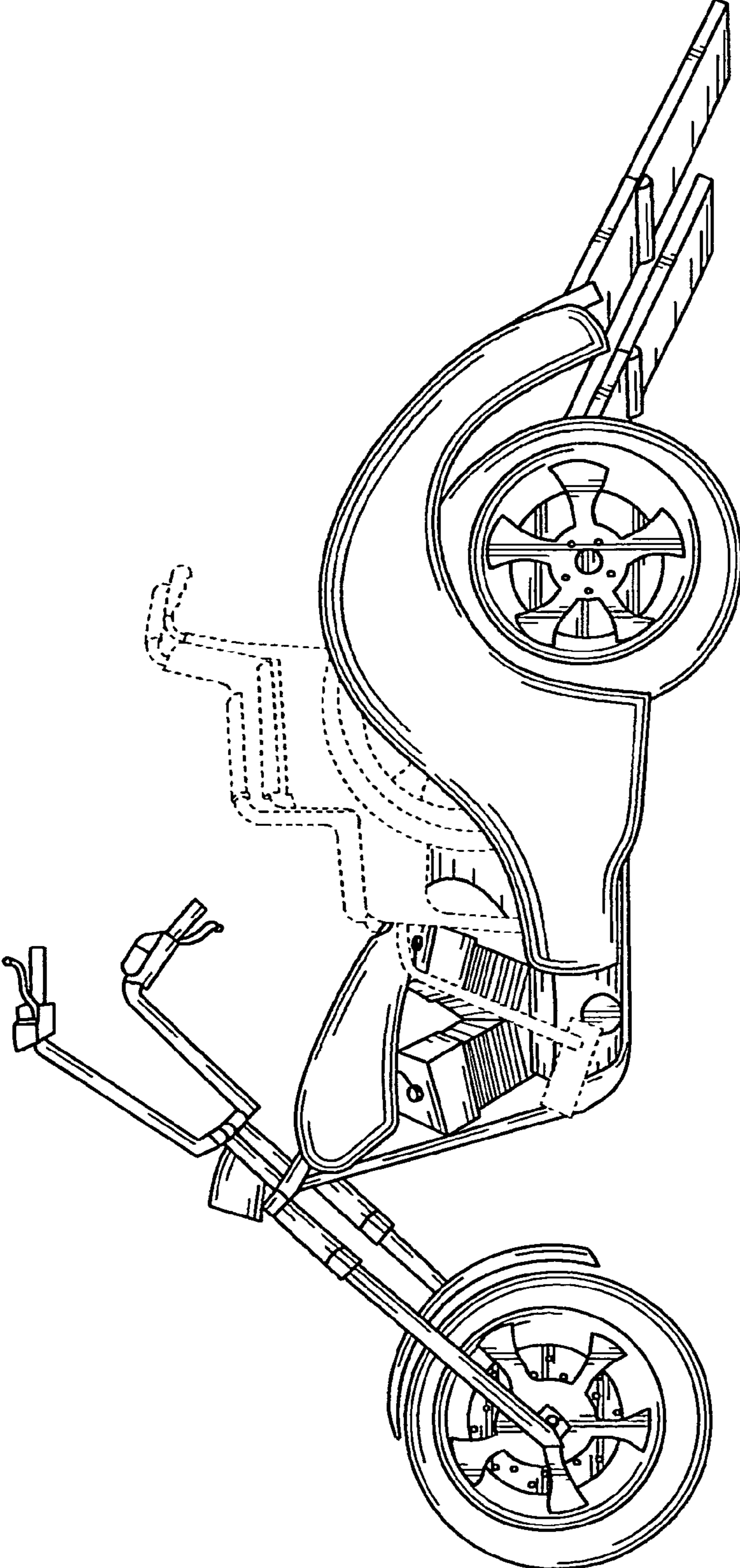


FIG. 3

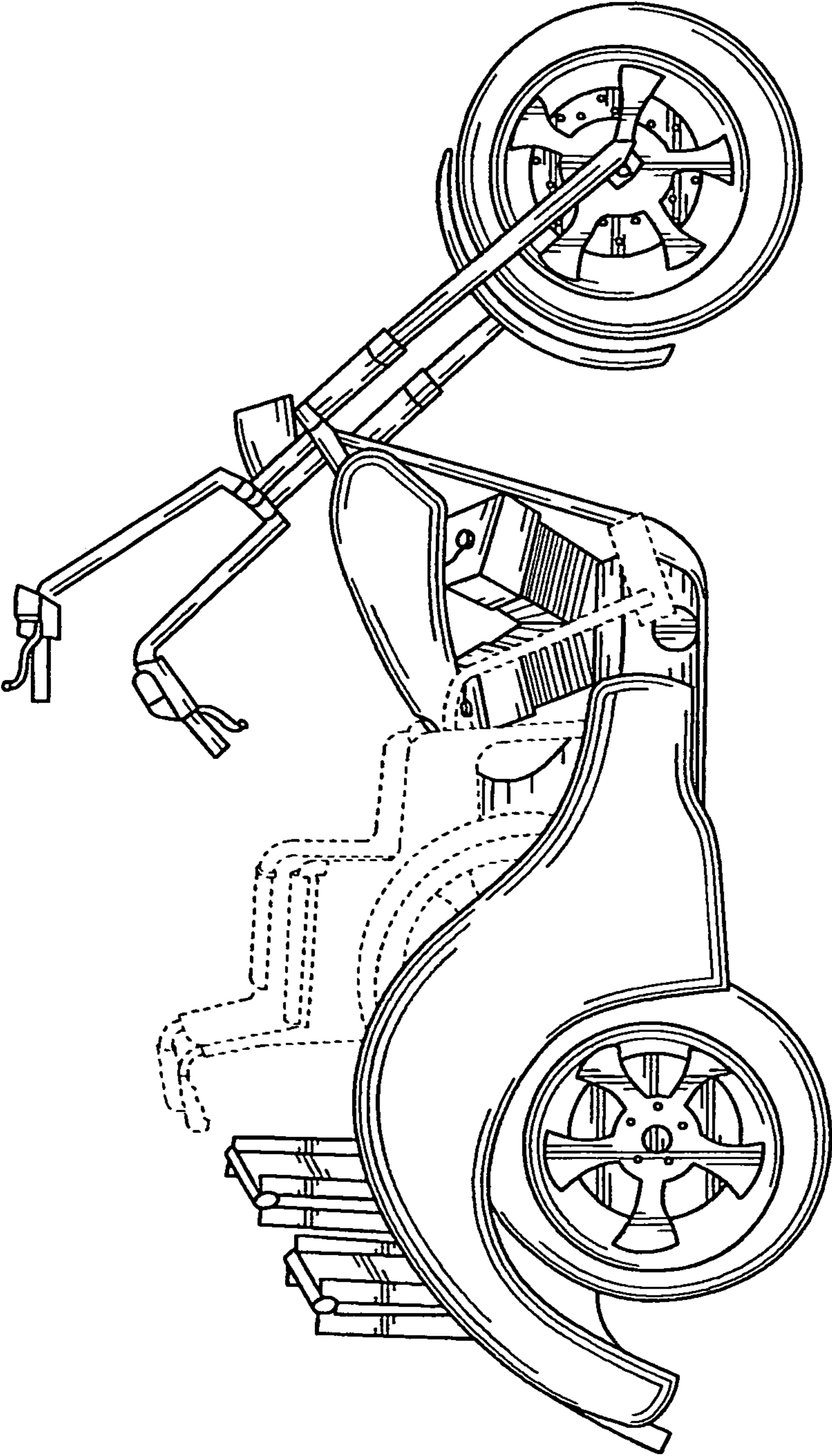


FIG. 4

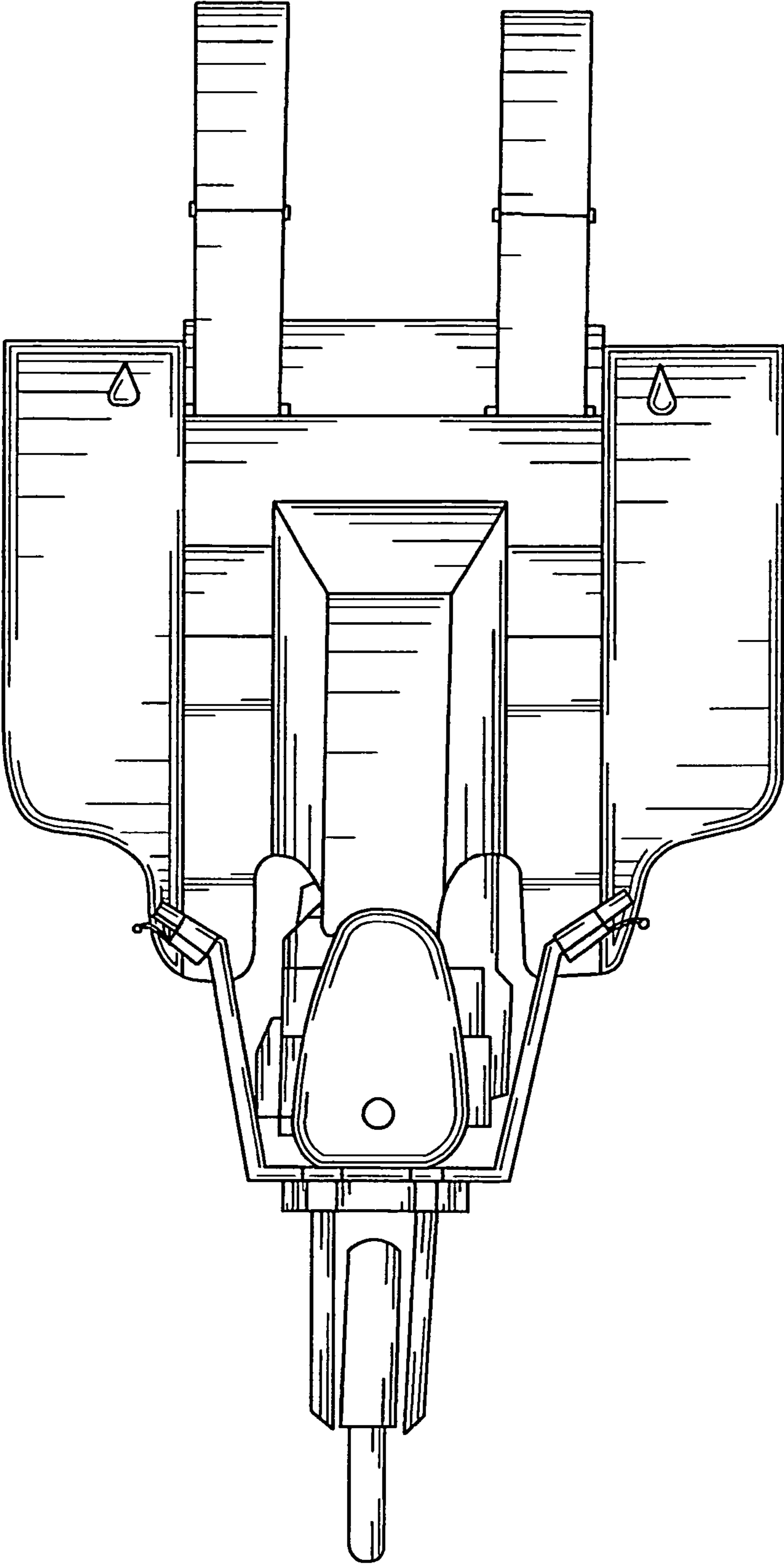


FIG. 5