



US00D695149S

(12) **United States Design Patent**
Bauer et al.

(10) **Patent No.:** **US D695,149 S**

(45) **Date of Patent:** **** Dec. 10, 2013**

(54) **AUTOMOBILE BODY**

D669,000 S * 10/2012 Uchiyama et al. D12/92
D683,660 S * 6/2013 Sugiura et al. D12/92

(75) Inventors: **Cordell Eric Bauer**, San Clemente, CA (US); **Terry Michael Birchler**, Gahanna, OH (US); **Shawn Michael Whetstone**, Gahanna, OH (US)

* cited by examiner

Primary Examiner — Melody Brown

(74) *Attorney, Agent, or Firm* — K. David Crockett, Esq.; Paul J. Backofen, Esq.; Crockett & Crockett, PC

(73) Assignee: **Time Zone Consulting Corporation**, Carson City, NV (US)

(**) Term: **14 Years**

(57) **CLAIM**

The ornamental design for an automobile body, as shown and described.

(21) Appl. No.: **29/418,042**

(22) Filed: **Apr. 11, 2012**

DESCRIPTION

(51) **LOC (9) Cl.** **12-08**

(52) **U.S. Cl.**
USPC **D12/91**

(58) **Field of Classification Search**
USPC D12/86, 90–92; D21/424, 433, 434;
296/181.1, 181.5

See application file for complete search history.

FIG. 1 is right-front perspective view of the automobile body. FIG. 2 is a view of the right side of the automobile body of FIG. 1.

FIG. 3 is right-rear perspective view of the automobile body of FIG. 1.

FIG. 4 a top view of the automobile body of FIG. 1.

FIG. 5 a front view of the automobile body of FIG. 1; and,

FIG. 6 is a rear view of the automobile body of FIG. 1.

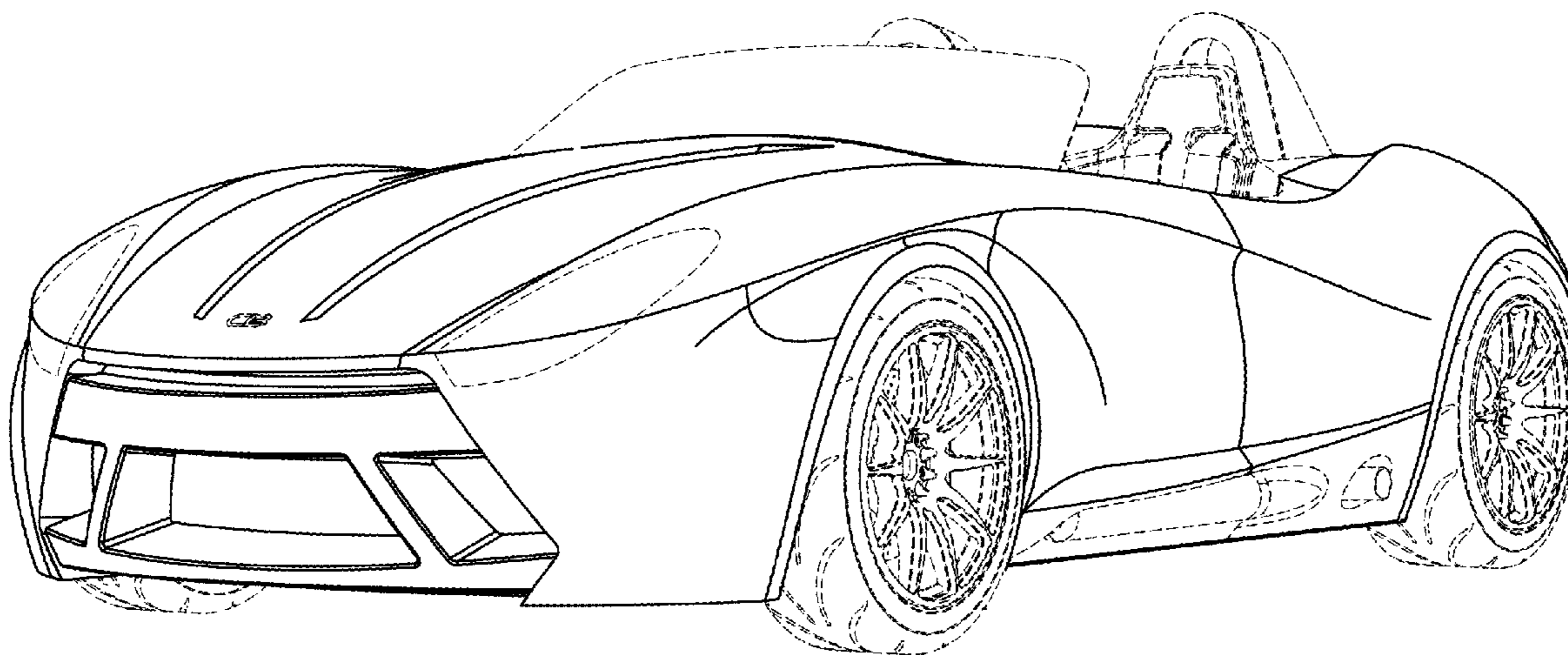
The broken line portions shown throughout the drawing are for illustrative purposes only and form no part of the claimed design.

(56) **References Cited**

U.S. PATENT DOCUMENTS

D608,695 S * 1/2010 Burki et al. D12/91
D630,553 S * 1/2011 Muller D12/91

1 Claim, 5 Drawing Sheets



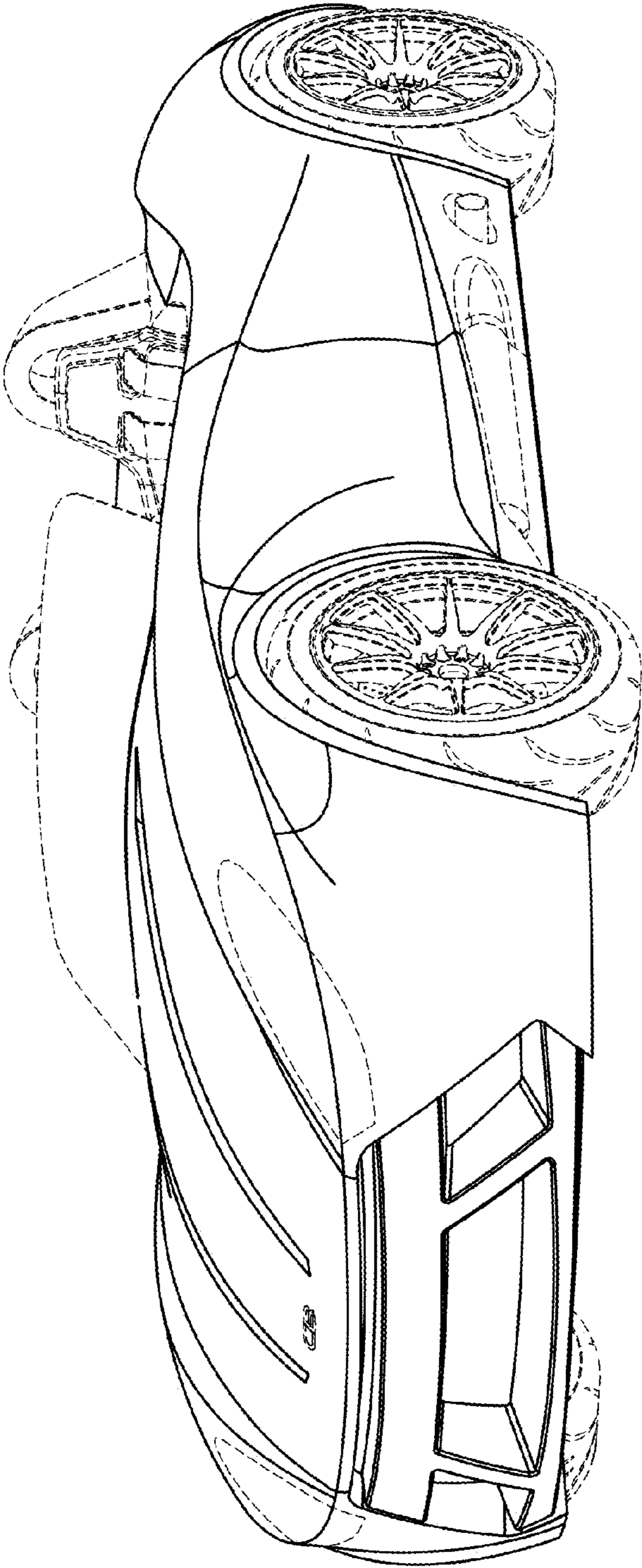


Fig. 1

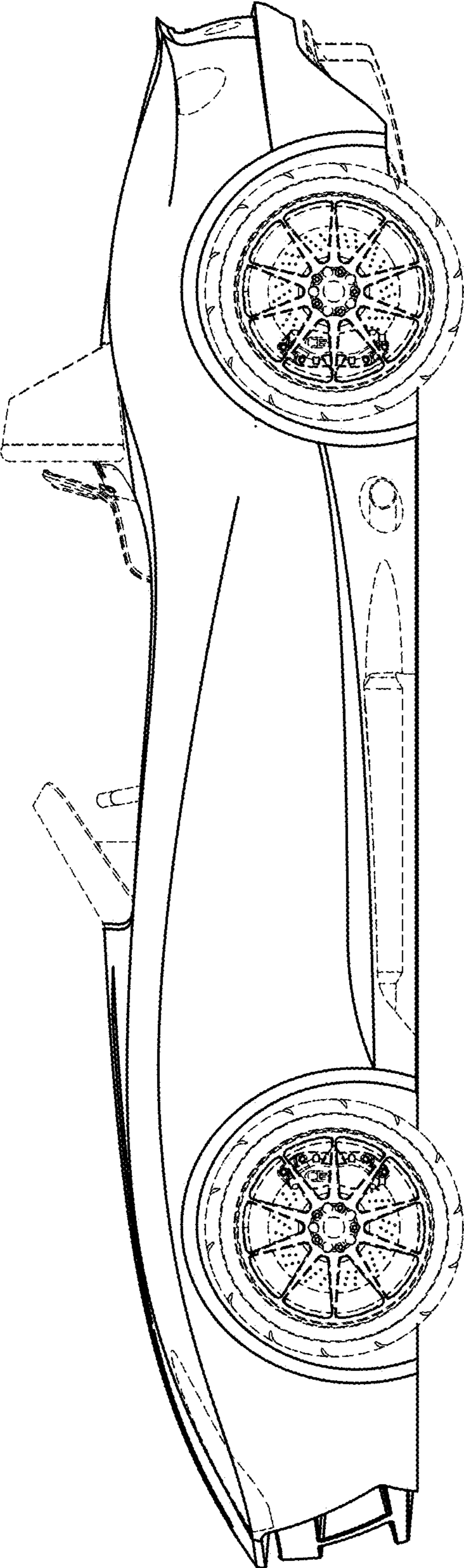


Fig. 2

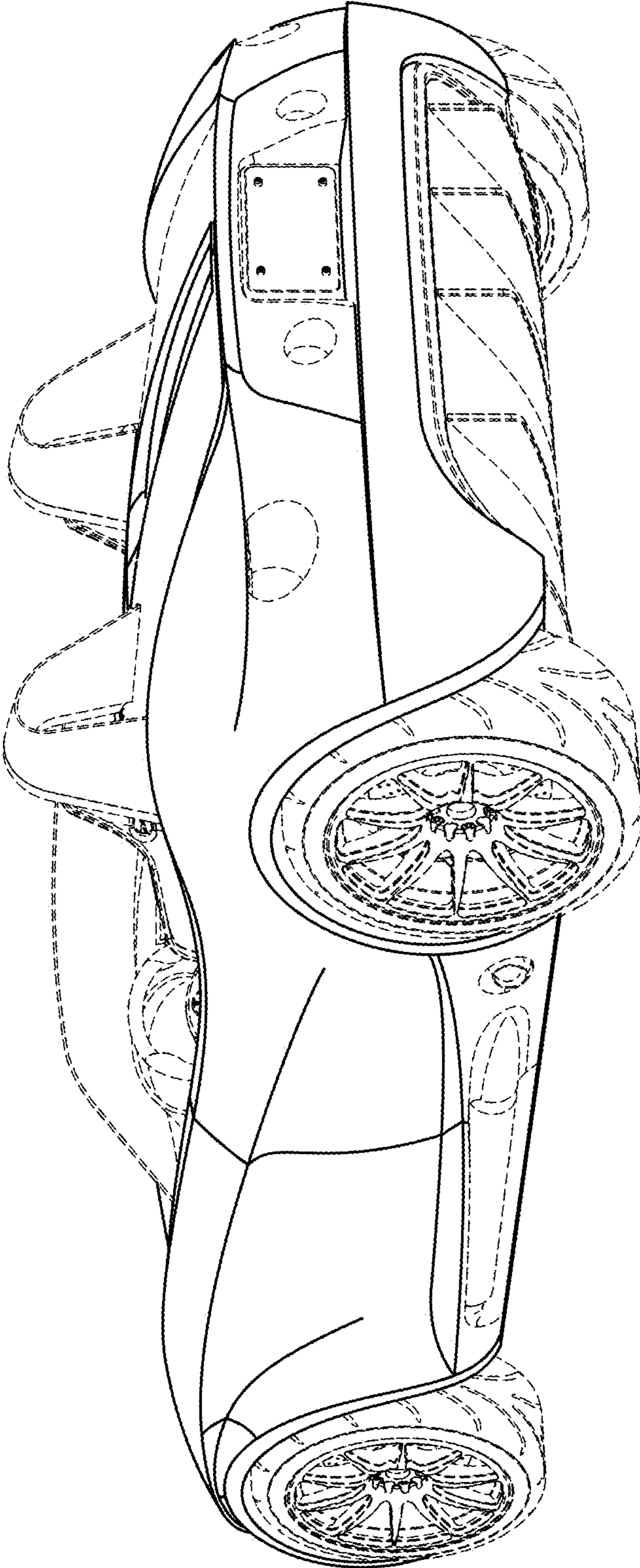


Fig. 3

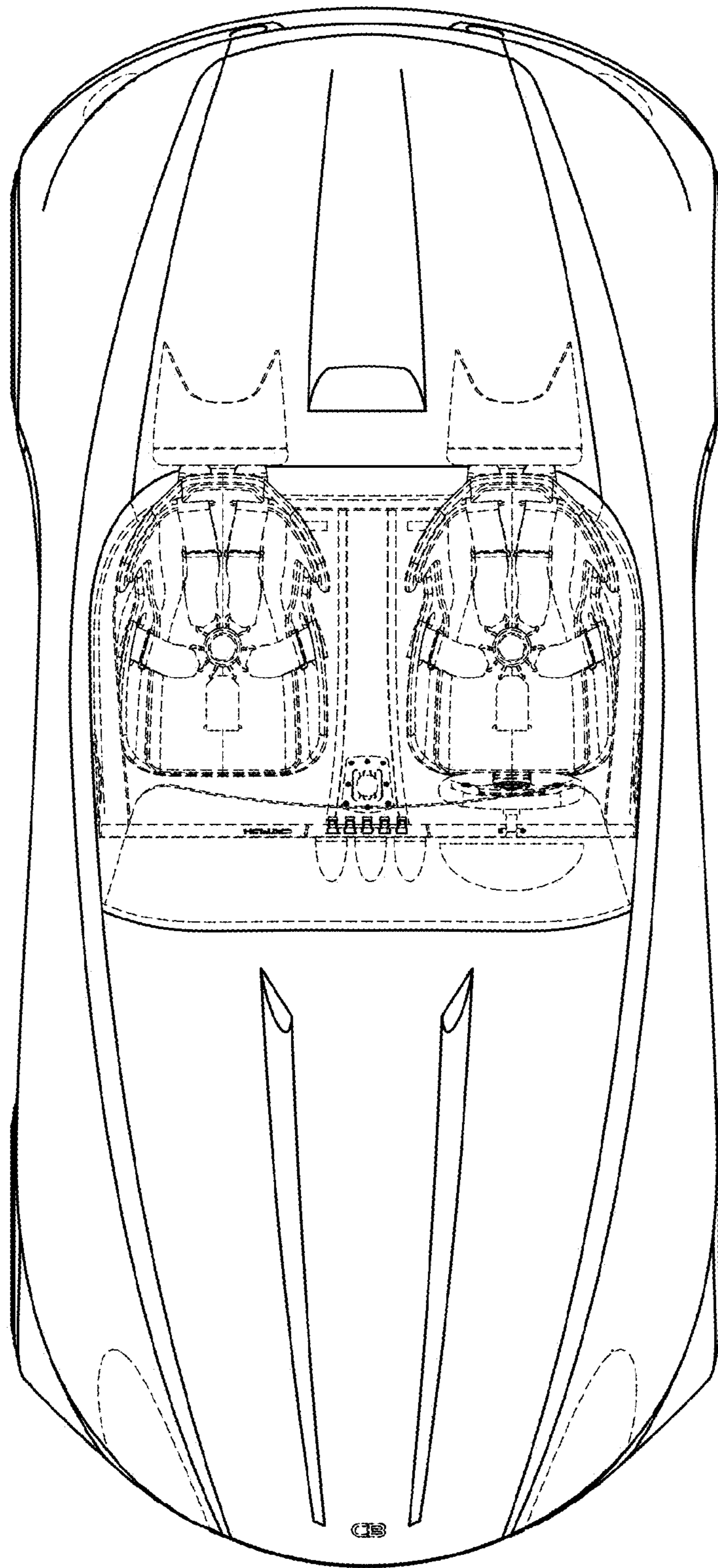


Fig. 4

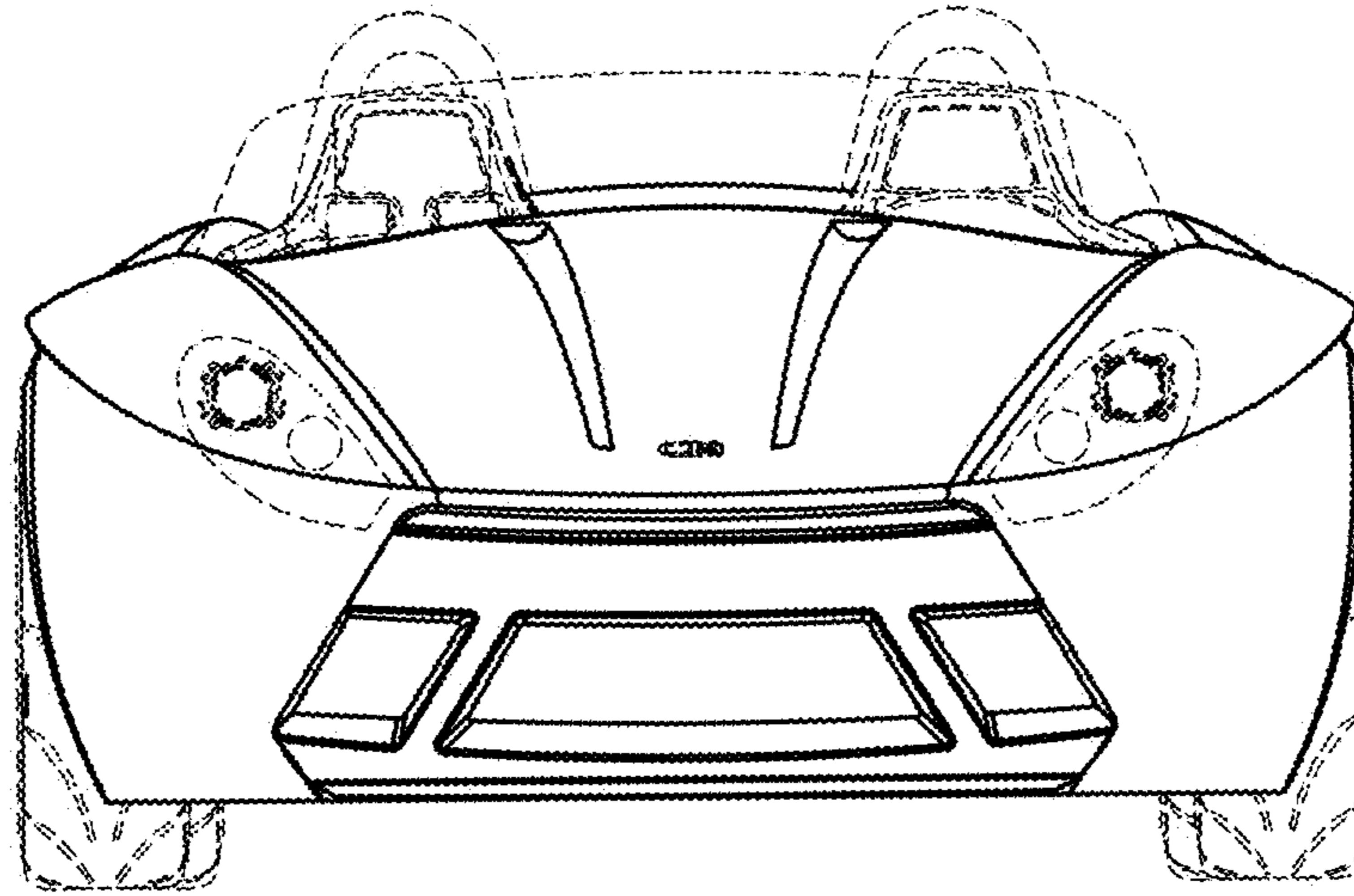


Fig. 5

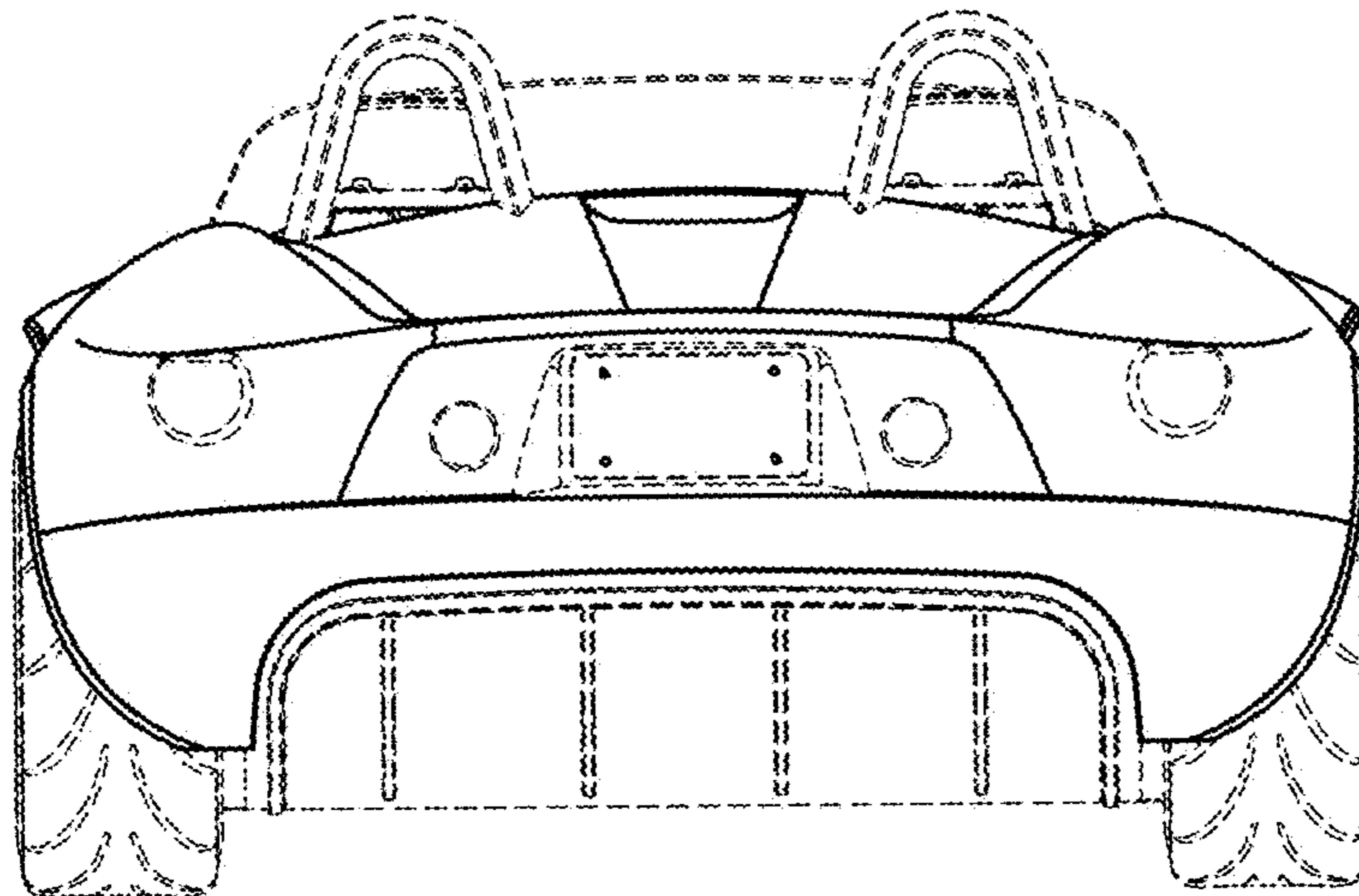


Fig. 6