



US00D695146S

(12) **United States Design Patent**
Mitchener

(10) **Patent No.:** **US D695,146 S**
(45) **Date of Patent:** **** Dec. 10, 2013**

(54) **DIAMOND**

(71) Applicant: **Mark C. Mitchener**, Oklahoma City, OK (US)

(72) Inventor: **Mark C. Mitchener**, Oklahoma City, OK (US)

(**) Term: **14 Years**

(21) Appl. No.: **29/446,458**

(22) Filed: **Feb. 23, 2013**

(51) **LOC (9) Cl.** **11-01**

(52) **U.S. Cl.**
USPC **D11/90**

(58) **Field of Classification Search**
USPC D11/1-2, 26-29, 89-92; 63/26-28, 32
See application file for complete search history.

(56) **References Cited**

U.S. PATENT DOCUMENTS

D414,133 S	9/1999	Parker
D415,712 S	10/1999	Tolkowsky
D431,492 S	10/2000	Wagemans
D434,690 S	12/2000	Vered
D439,196 S	3/2001	Tolkowsky
D451,427 S	12/2001	Tolkowsky
D452,457 S	12/2001	Tolkowsky
D454,089 S	3/2002	Steiner
D455,367 S	4/2002	Tolkowsky
D460,377 S	7/2002	Cohen
D460,713 S	7/2002	Cohen
D463,312 S	9/2002	Tolkowsky
D466,436 S	12/2002	Tolkowsky
D469,033 S	1/2003	Siebenberg
D469,034 S	1/2003	Yuan
D471,128 S	3/2003	Aleksanyan
D474,995 S	5/2003	Mehta
D476,257 S	6/2003	Mehta
D476,918 S	7/2003	Aoyagi
D481,650 S	11/2003	Sung et al.

D484,432 S	12/2003	Sulimani et al.
D489,638 S	5/2004	Karni
D490,014 S	5/2004	Mehta
D490,743 S	6/2004	Karni
D491,093 S	6/2004	Mehta
D493,382 S	7/2004	Sanghvi
D493,383 S	7/2004	Gezovitch
D495,269 S	8/2004	Weinstein
D499,979 S	12/2004	Tolkowsky
D500,700 S	1/2005	Tolkowsky
D501,150 S	1/2005	Fuchs
D501,151 S	1/2005	Tolkowsky
D501,152 S	1/2005	Tolkowsky
D501,153 S	1/2005	Tolkowsky
D501,155 S	1/2005	Tolkowsky
D501,156 S	1/2005	Tolkowsky
D504,636 S	5/2005	Voorn
D510,887 S	10/2005	Namdar
D511,992 S	11/2005	Amiel
D512,936 S	12/2005	Sung et al.
D514,472 S	2/2006	Namdar
D514,978 S	2/2006	Lakhi
D516,939 S	3/2006	Hodara et al.
D523,373 S	6/2006	Mehta et al.
D525,902 S	8/2006	Dholakiya
D526,924 S	8/2006	Shannon

(Continued)

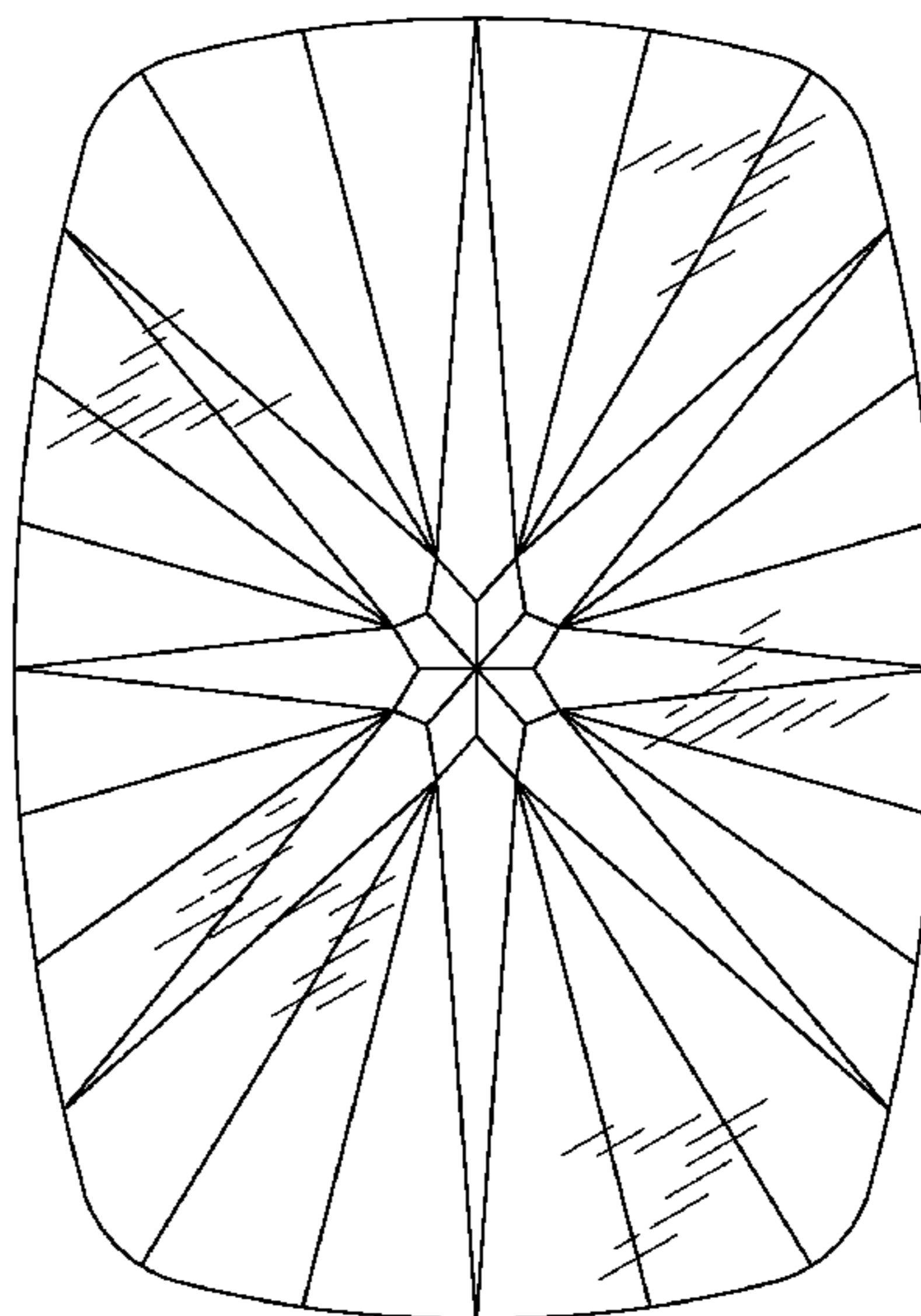
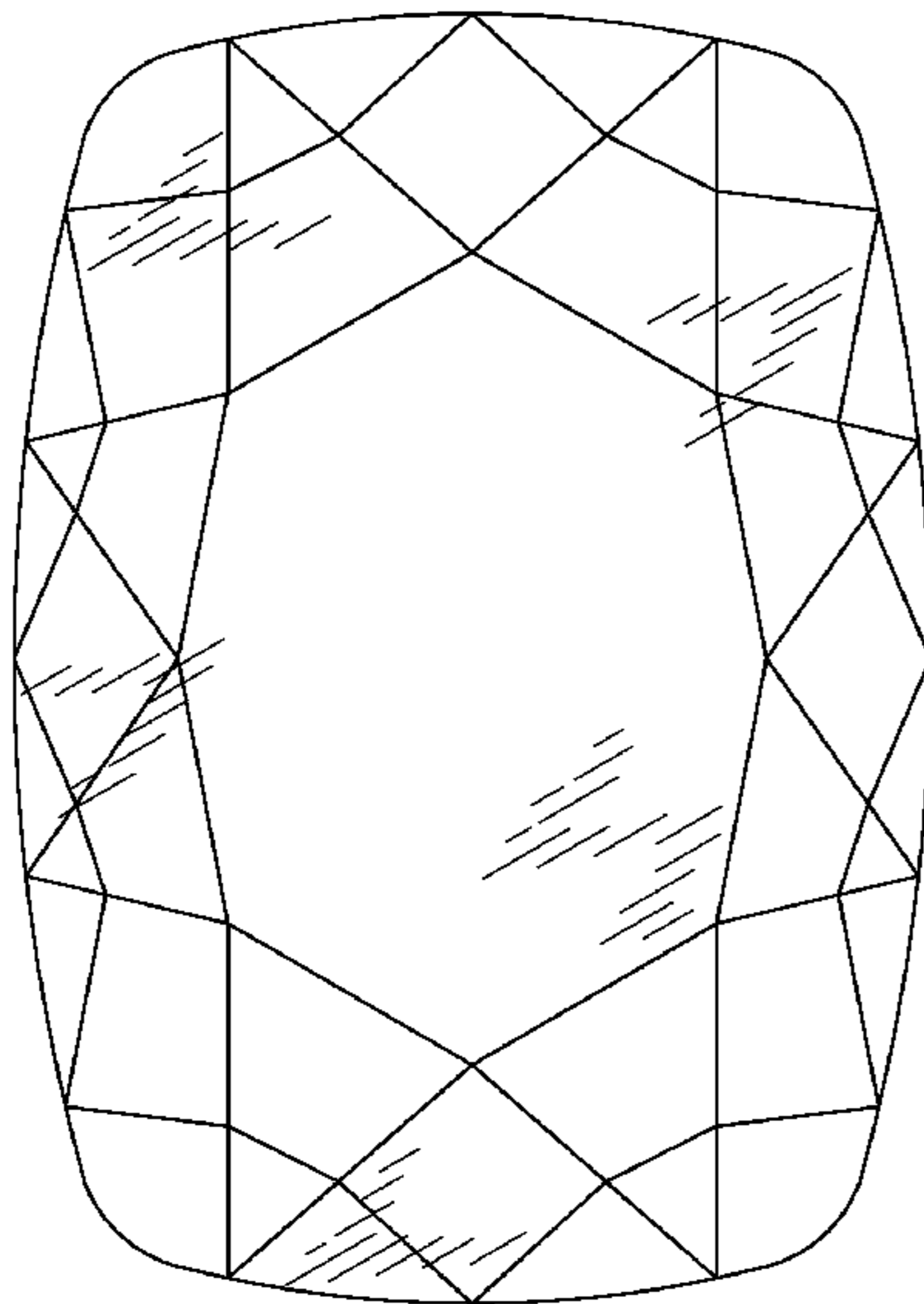
Primary Examiner — Ralf Seifert
(74) *Attorney, Agent, or Firm* — McAfee & Taft

(57) **CLAIM**
The ornamental design for a diamond, as shown and described.

DESCRIPTION

FIG. 1 is a top view of the diamond;
FIG. 2 is a bottom view of the diamond shown in FIG. 1;
FIG. 3 is a left side view of the diamond shown in FIG. 1, the right side view being identical; and,
FIG. 4 is a front view of the diamond shown in FIG. 1, the rear view being identical.

1 Claim, 3 Drawing Sheets



US D695,146 S

Page 2

(56)

References Cited

U.S. PATENT DOCUMENTS

D530,642 S 10/2006 Botha
D535,907 S 1/2007 Sevdermish
D536,634 S * 2/2007 Cornfield D11/90
D536,635 S 2/2007 Torgeman

D546,232 S 7/2007 Botha
D546,233 S 7/2007 Botha
D593,440 S 6/2009 Har
D619,034 S 7/2010 Mitchener
D619,035 S 7/2010 Mitchener

* cited by examiner

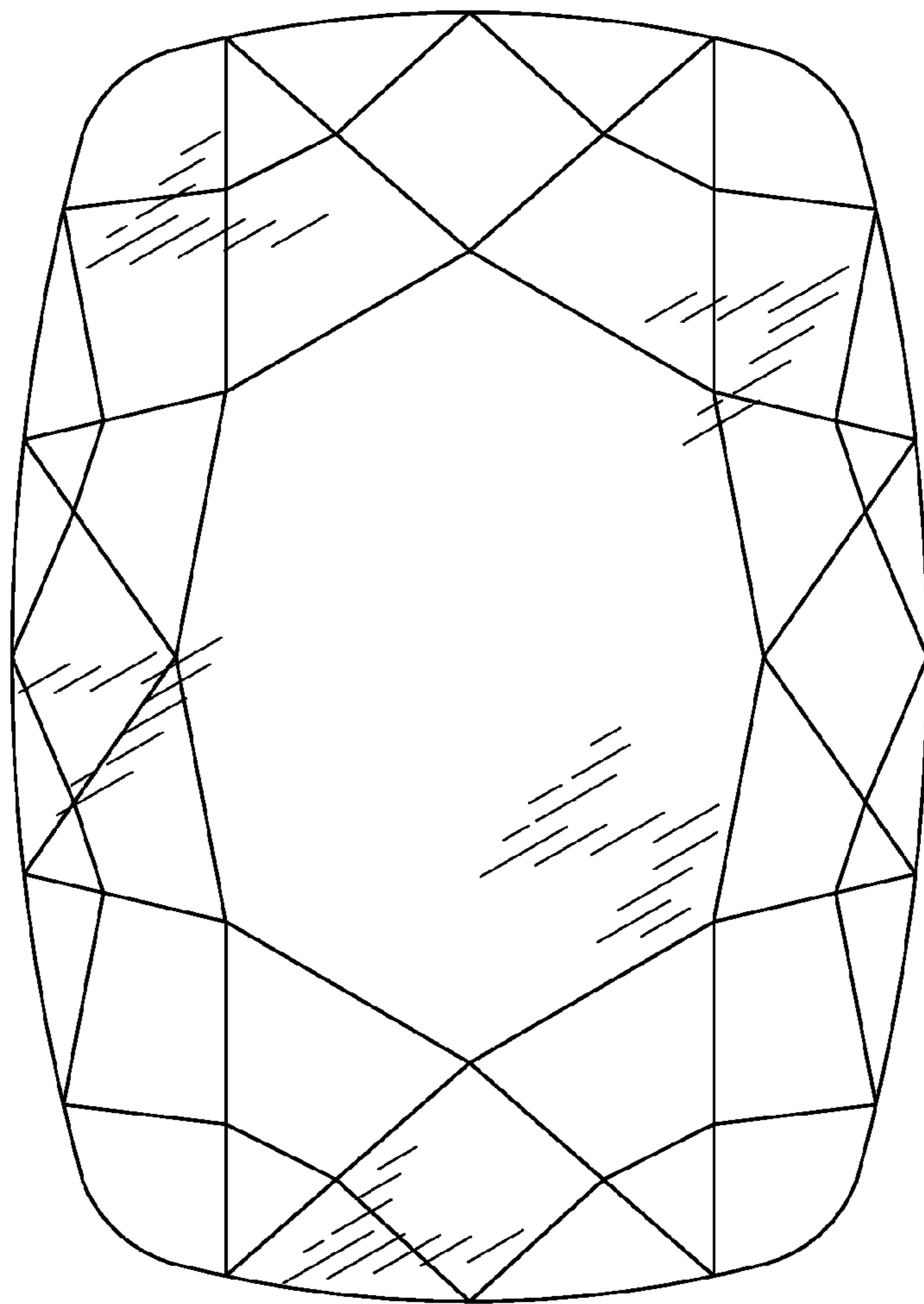


FIG. 1

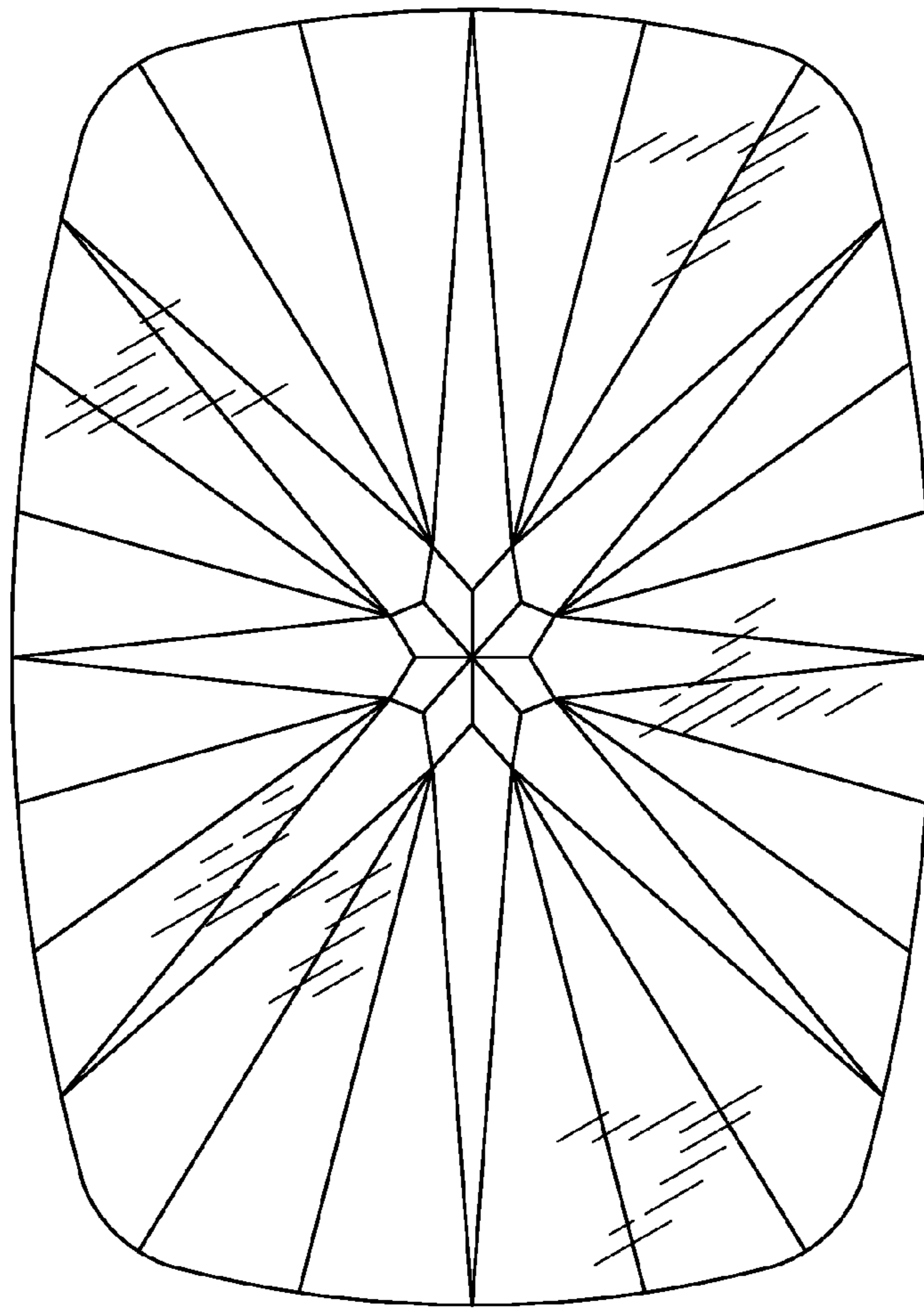


FIG. 1

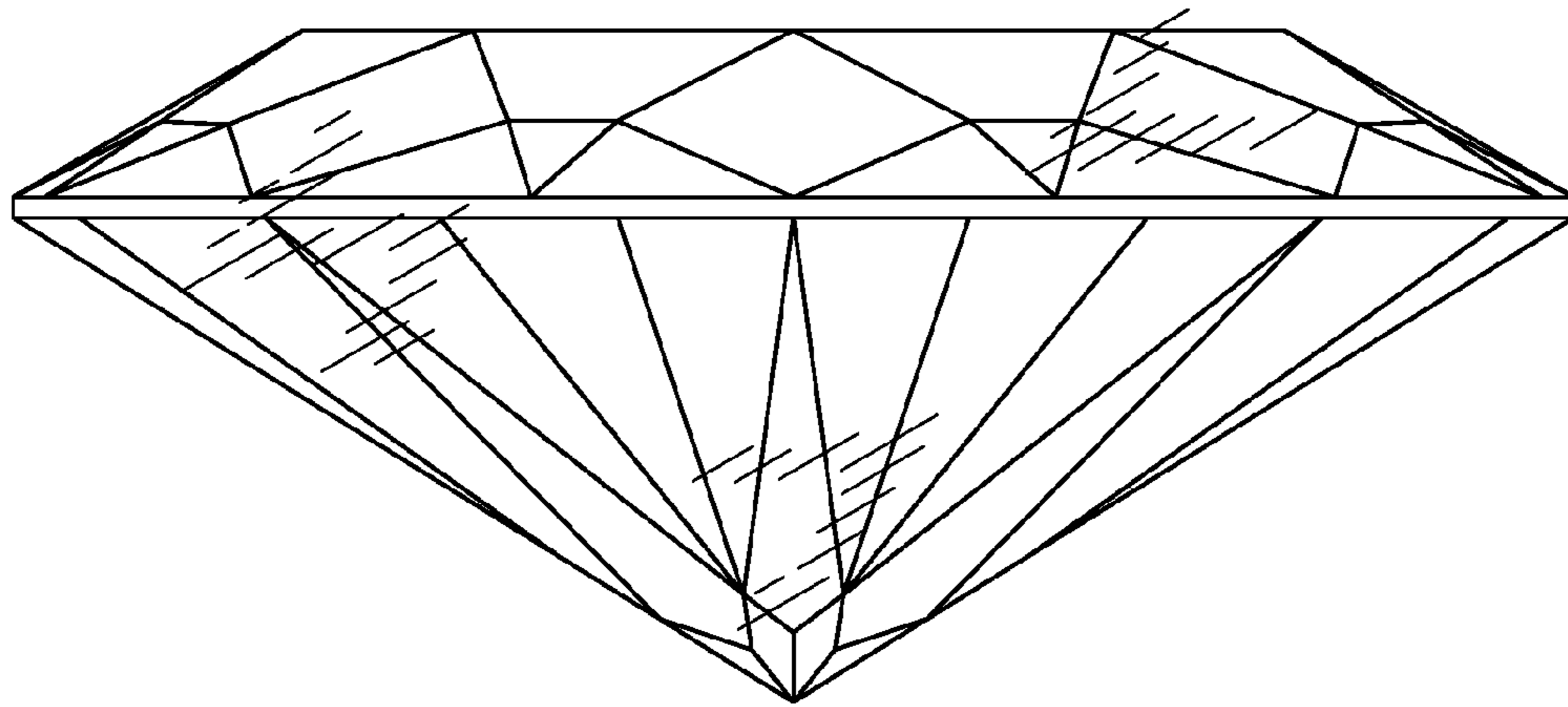


FIG. 3

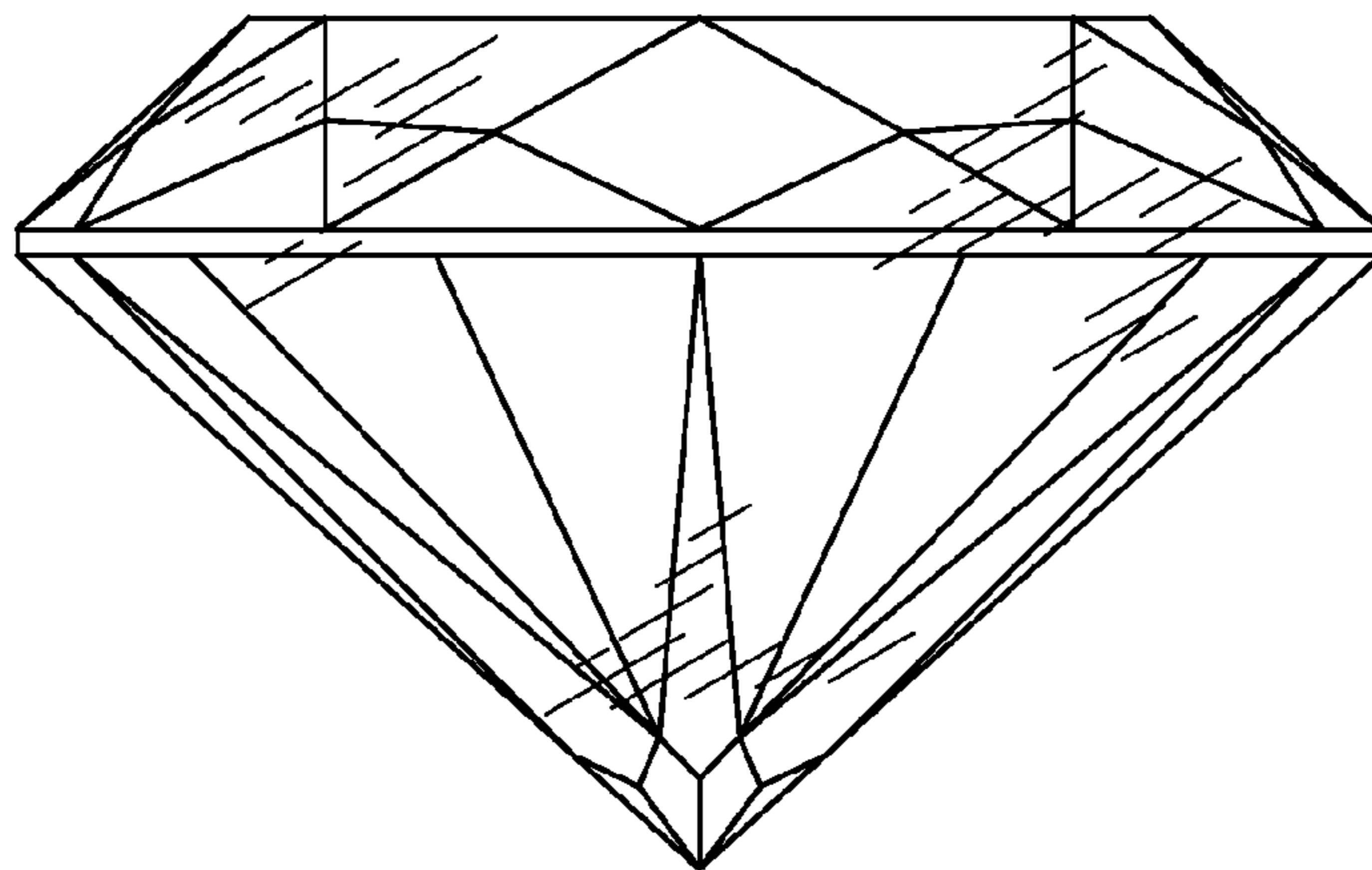


FIG. 4