



(12) **United States Design Patent**
Ashino

(10) **Patent No.:** **US D695,140 S**
(45) **Date of Patent:** **** Dec. 10, 2013**

(54) **PRESSURE SENSOR**

(75) Inventor: **Kimihiko Ashino**, Kawasaki (JP)

(73) Assignee: **Fuji Electric Co., Ltd.**, Kanagawa (JP)

(**) Term: **14 Years**

(21) Appl. No.: **29/429,672**

(22) Filed: **Aug. 15, 2012**

(30) **Foreign Application Priority Data**

Feb. 15, 2012 (JP) 2012-003101

(51) **LOC (9) Cl.** **10-04**

(52) **U.S. Cl.**
USPC **D10/85**

(58) **Field of Classification Search**
USPC D10/83-85; 73/700-756; D23/235
See application file for complete search history.

(56) **References Cited**

U.S. PATENT DOCUMENTS

7,779,701 B2* 8/2010 DiPaolo et al. 73/756

* cited by examiner

Primary Examiner — Antoine D Davis

(74) *Attorney, Agent, or Firm* — Young & Thompson

(57) **CLAIM**

The ornamental design for a pressure sensor, as shown and described.

DESCRIPTION

FIG. 1 is a perspective view of front, top and left side of a pressure sensor showing my new design;

FIG. 2 is a perspective view of rear, bottom and right side thereof;

FIG. 3 is a front view thereof;

FIG. 4 is a rear view thereof;

FIG. 5 is a left side view thereof;

FIG. 6 is a right side view thereof;

FIG. 7 is a top view thereof; and,

FIG. 8 is a bottom view thereof.

1 Claim, 8 Drawing Sheets

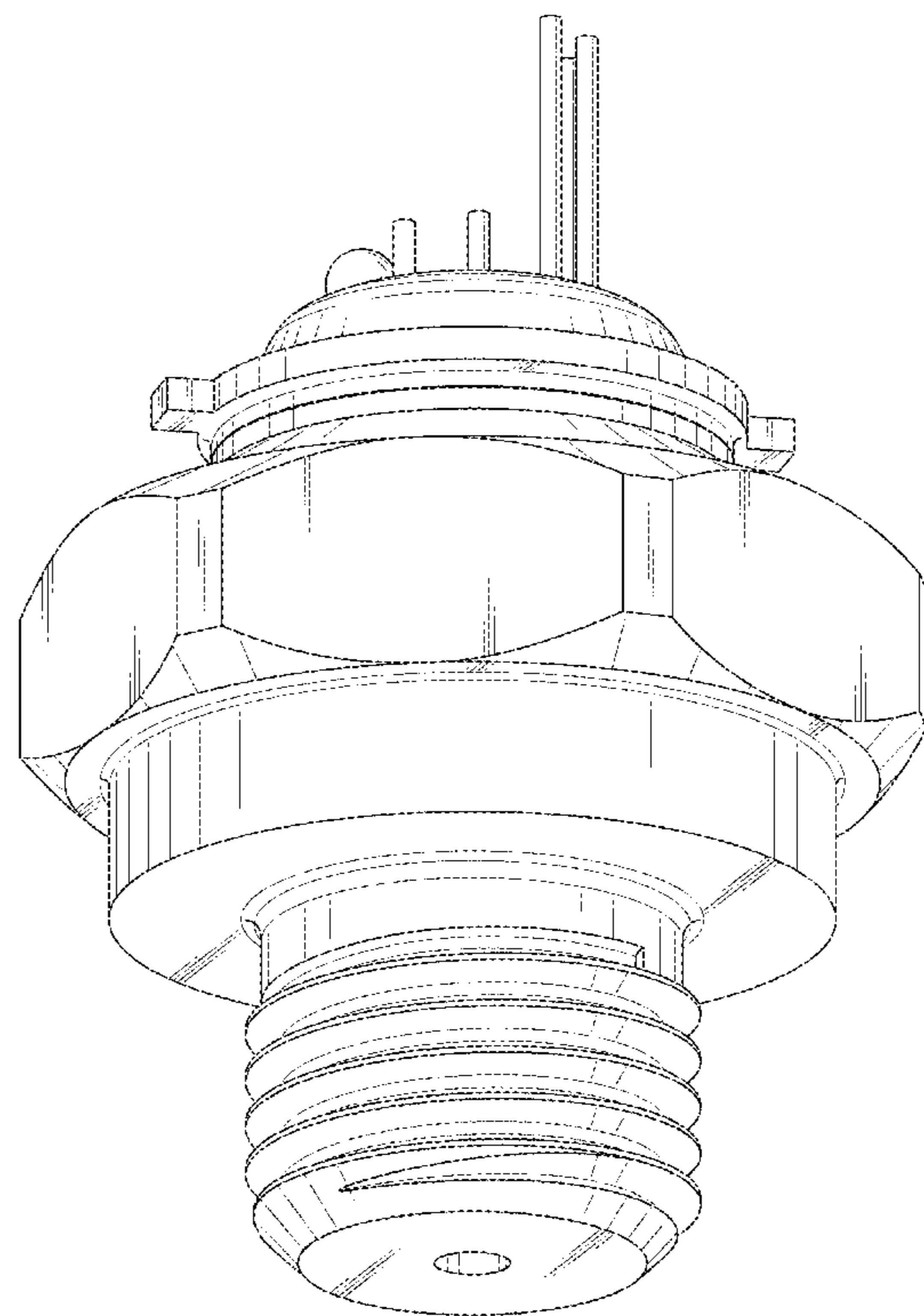
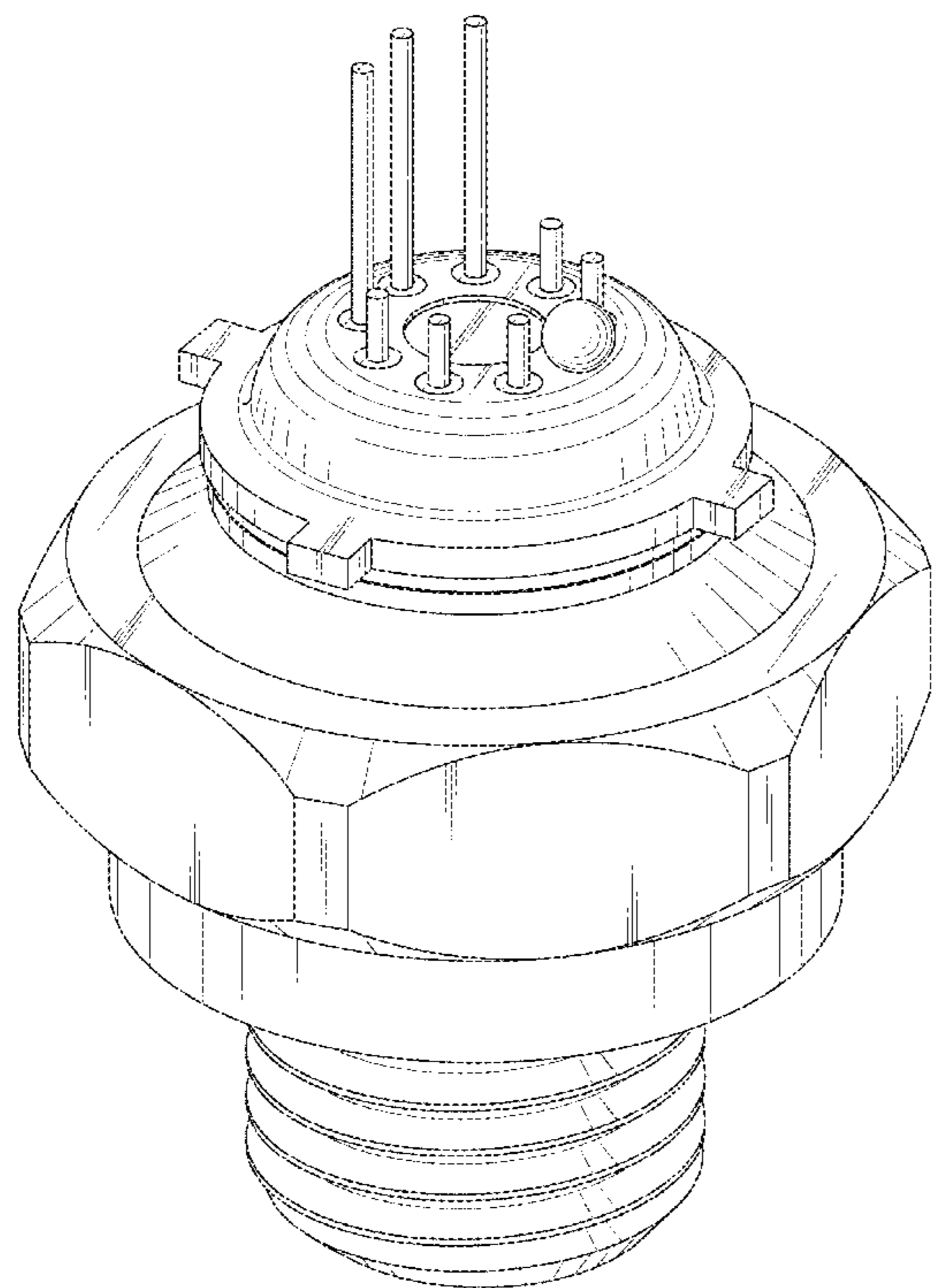


Fig. 1

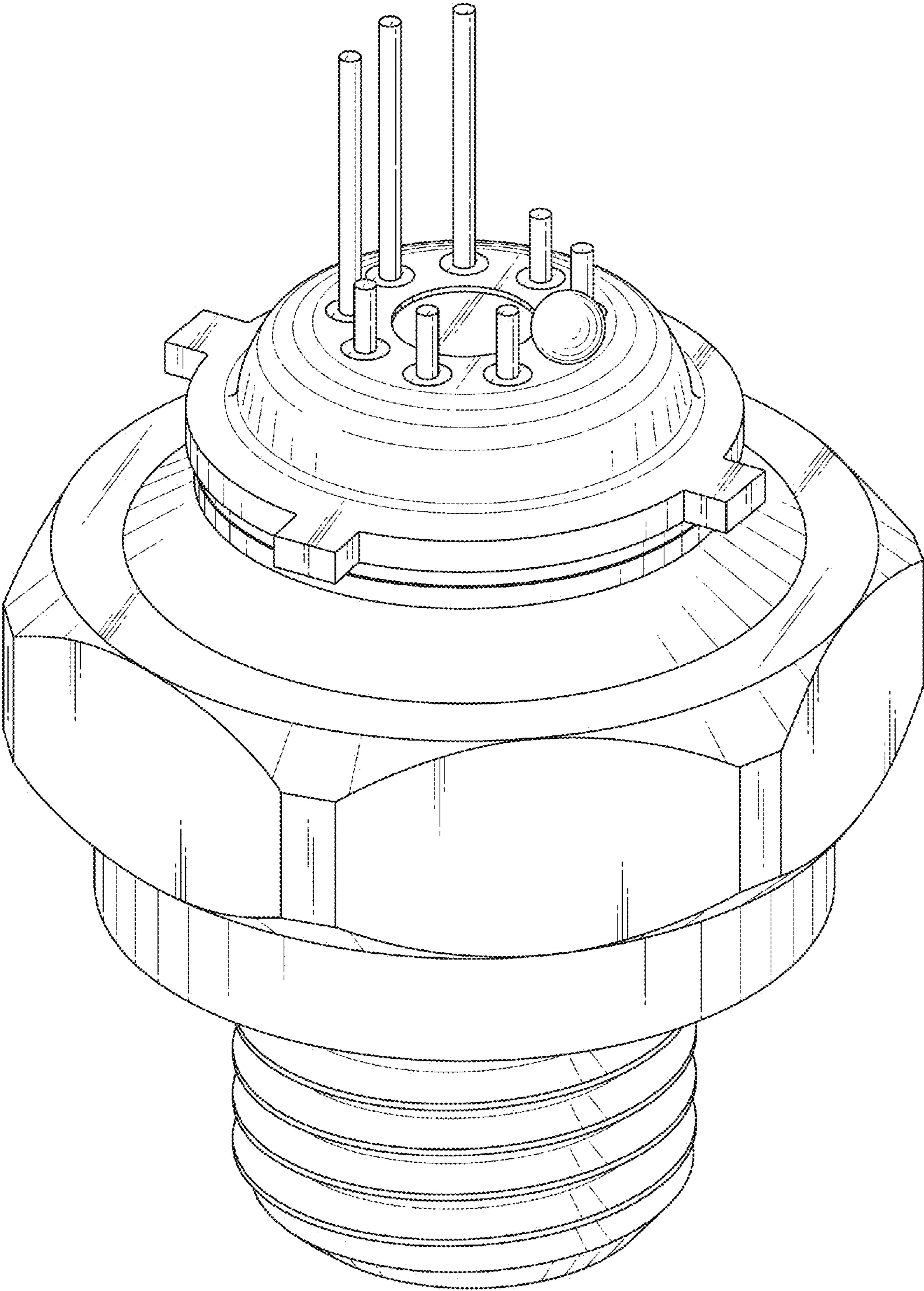


Fig. 2

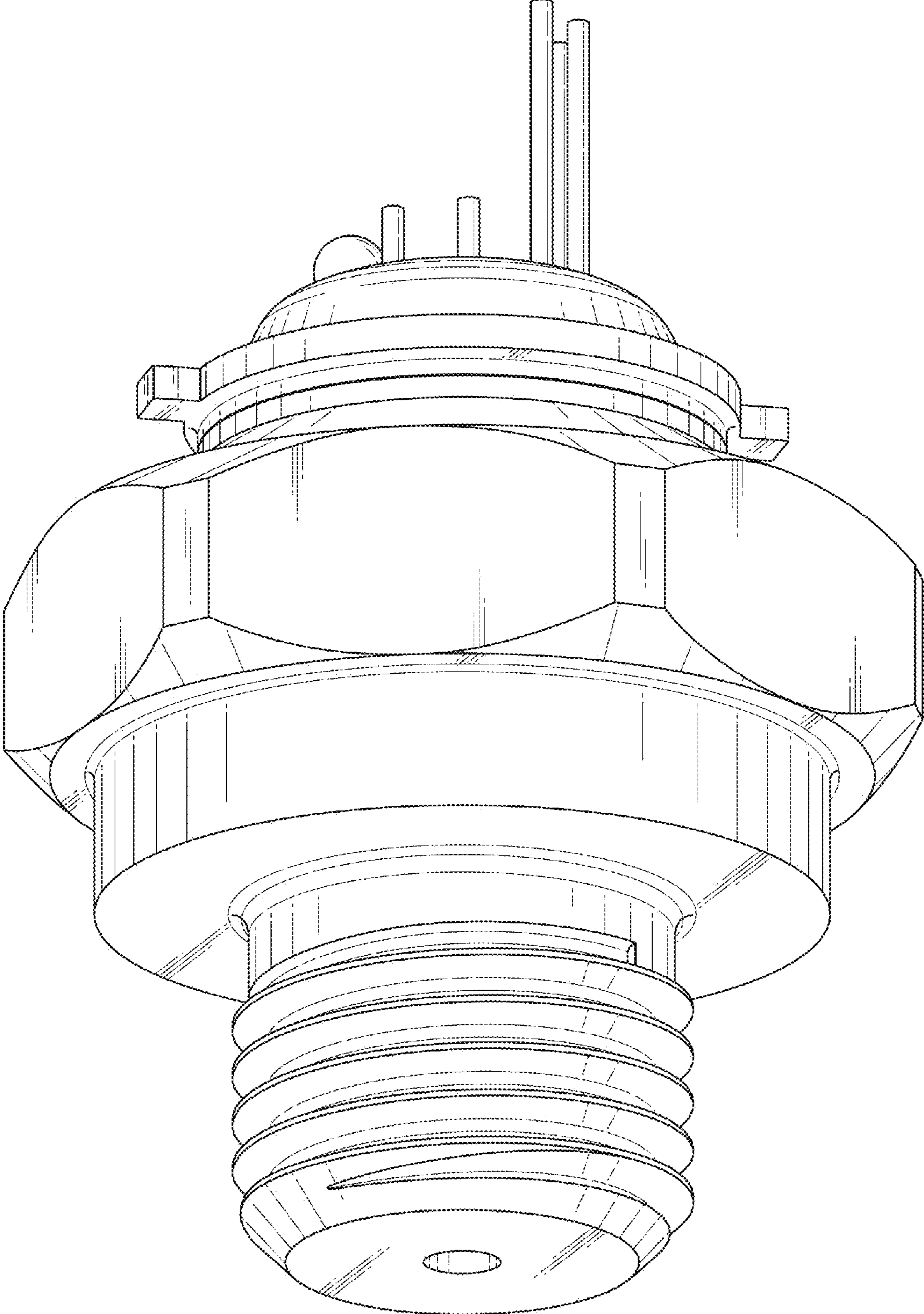


Fig. 3

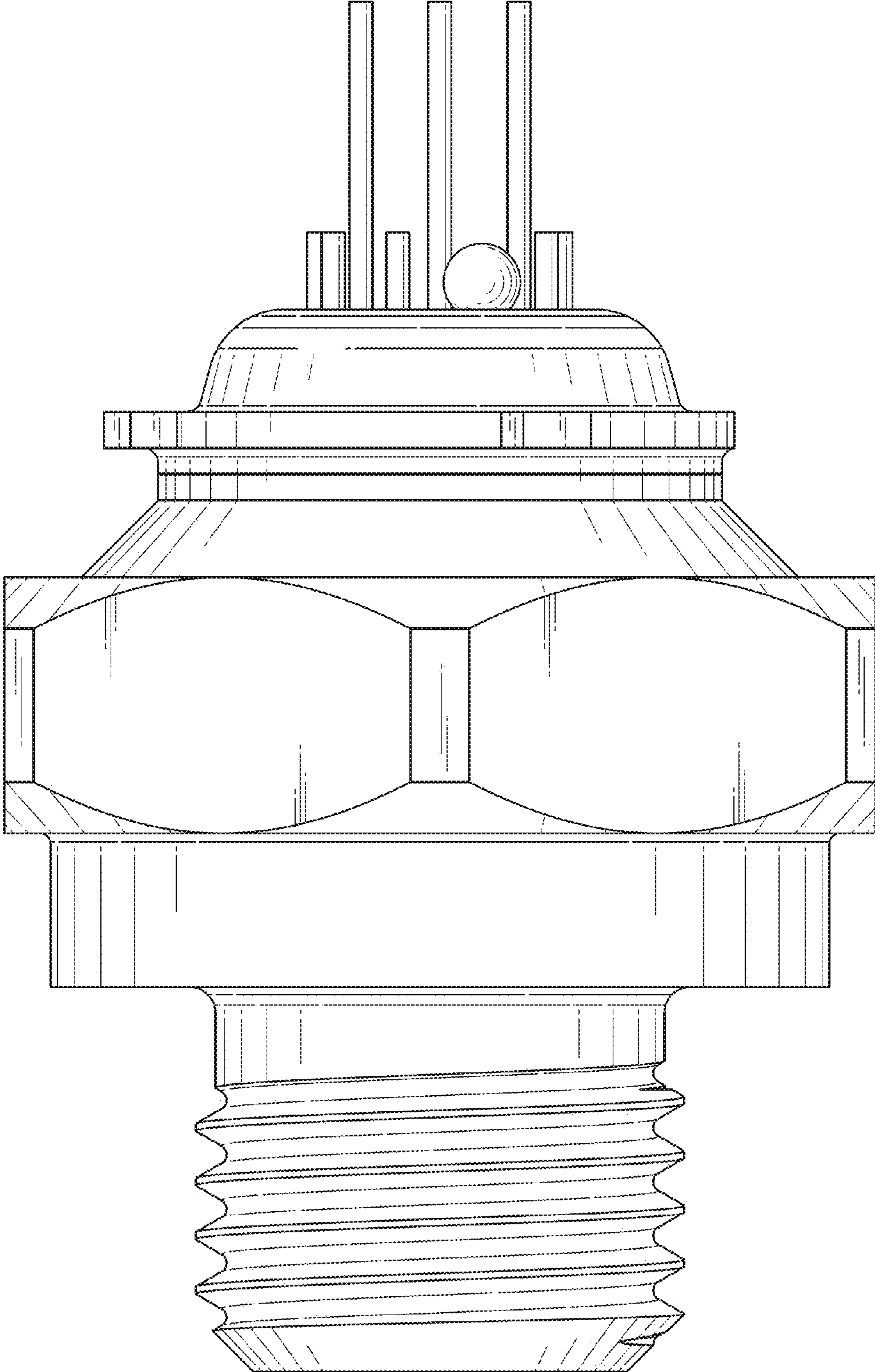


Fig. 4

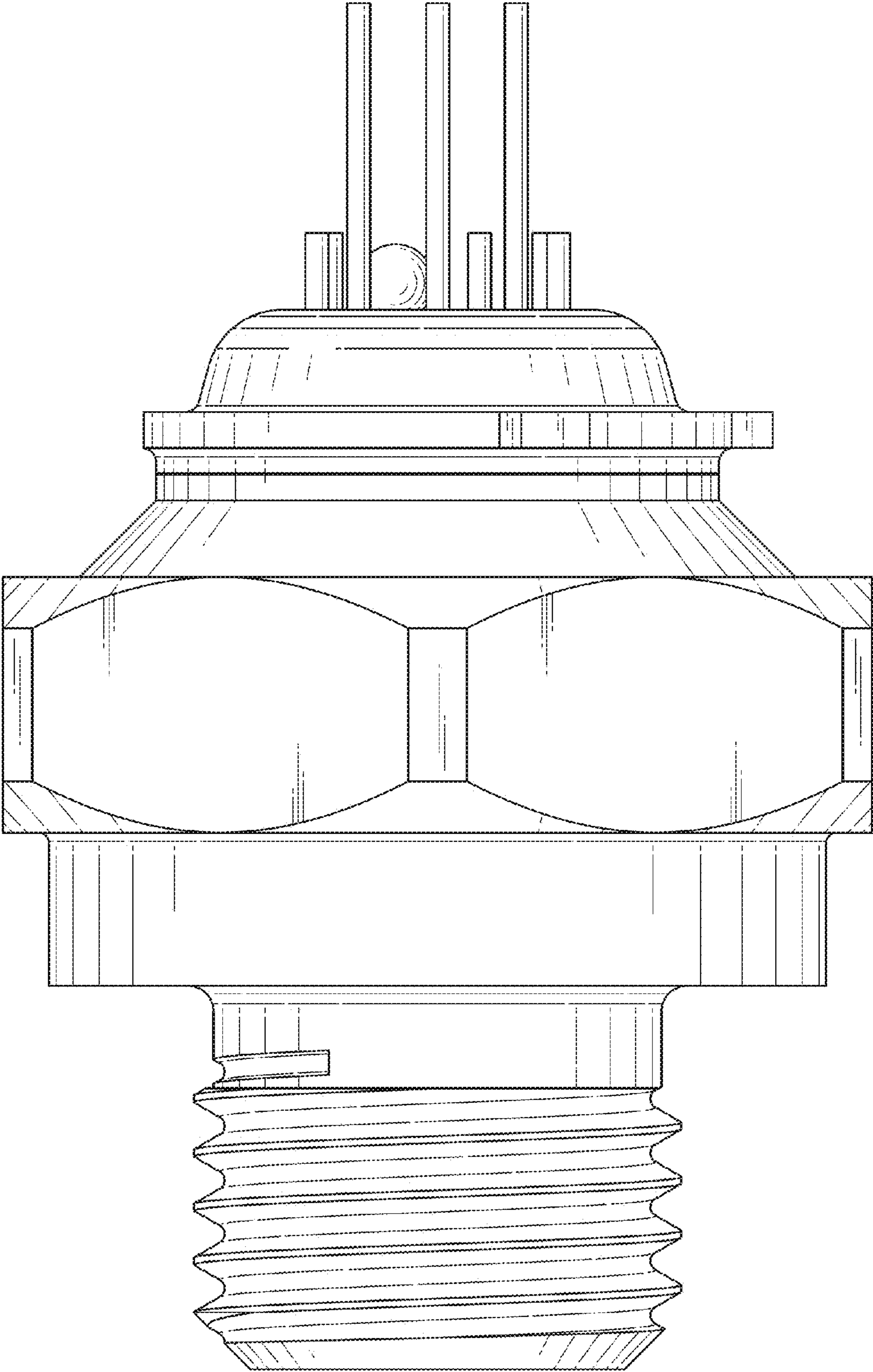


Fig. 5

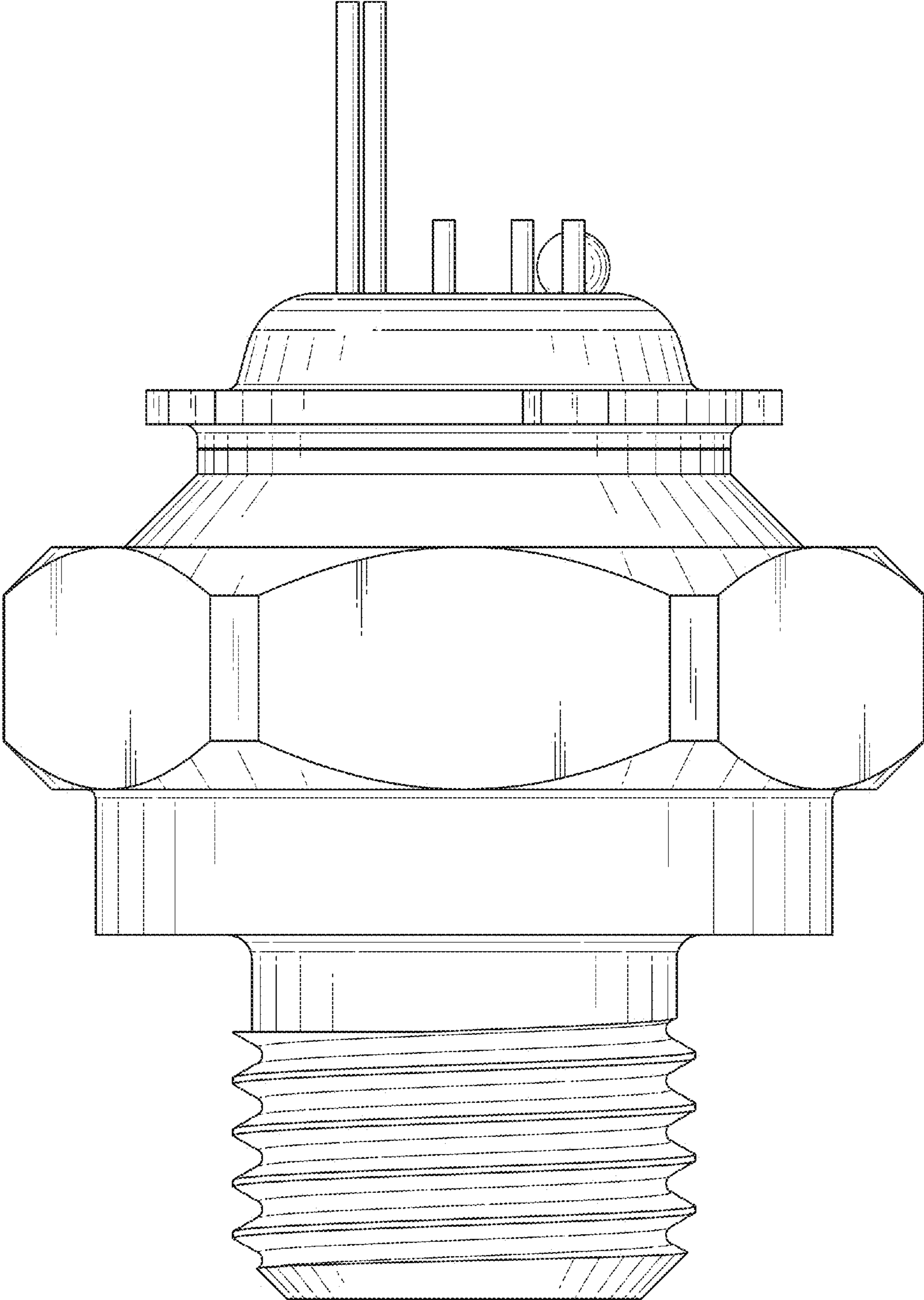


Fig. 6

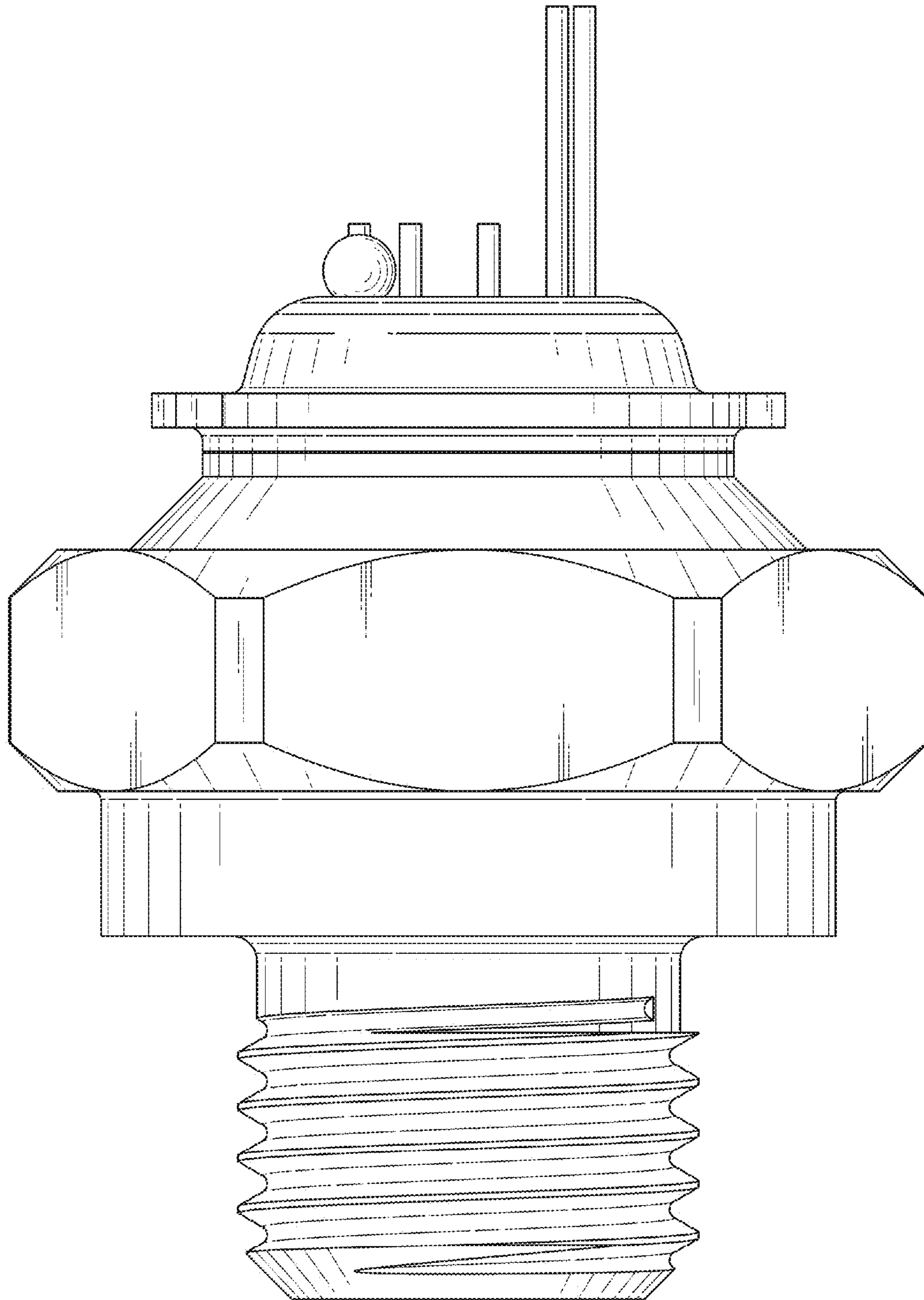


Fig. 7

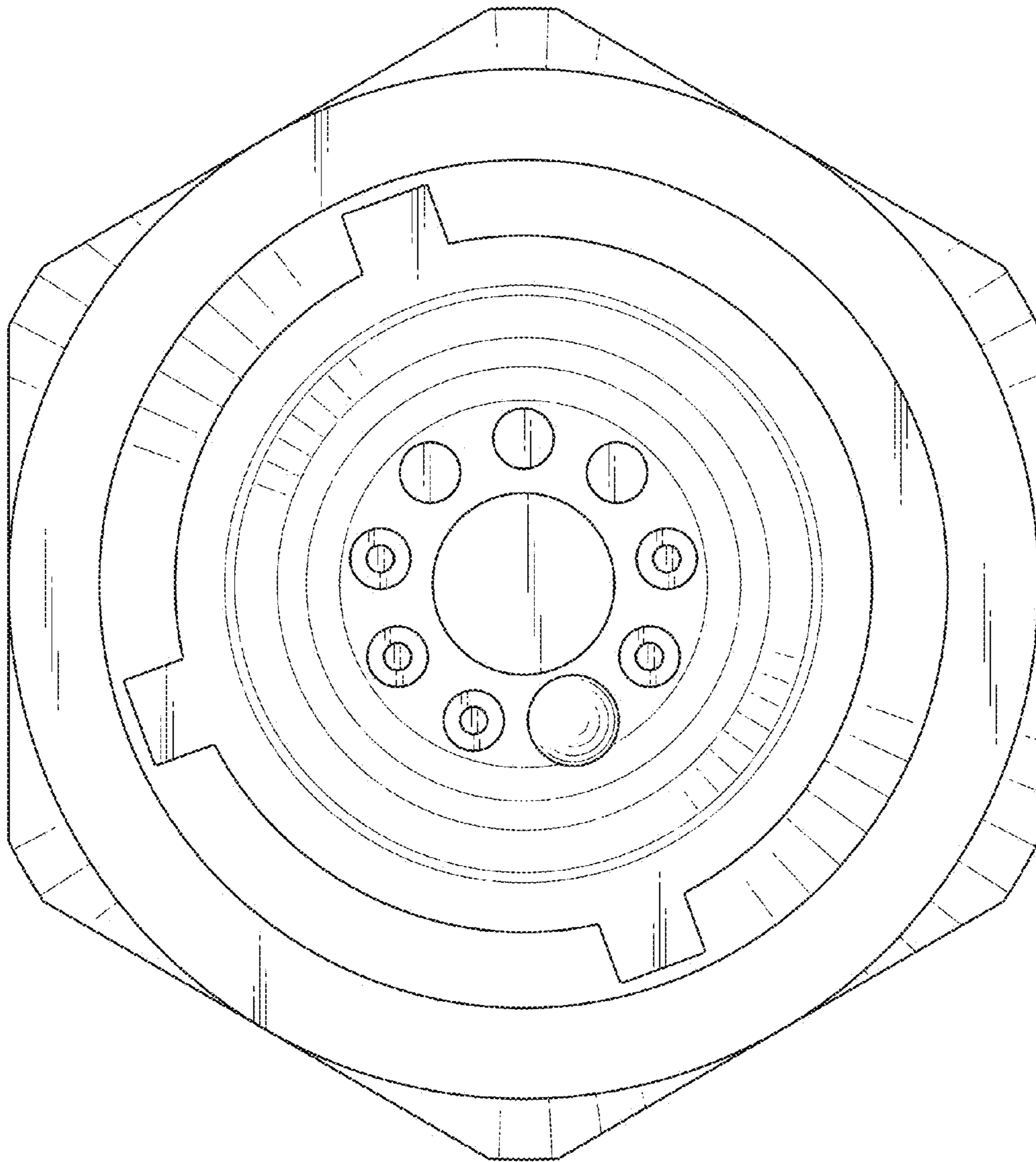


Fig. 8

