



US00D695139S

(12) **United States Design Patent**
Kent

(10) **Patent No.:** **US D695,139 S**

(45) **Date of Patent:** **** Dec. 10, 2013**

(54) **REFRIGERATION TEST METER**

(75) Inventor: **Julian Kent**, Welwyn Garden City (GB)

(73) Assignee: **Kane International Limited**, Welwyn Garden City (GB)

(**) Term: **14 Years**

(21) Appl. No.: **29/430,823**

(22) Filed: **Aug. 30, 2012**

(30) **Foreign Application Priority Data**

Aug. 30, 2012 (EP) 002094599

(51) **LOC (9) Cl.** **10-04**

(52) **U.S. Cl.**
USPC **D10/75; D10/78; D10/83**

(58) **Field of Classification Search**
USPC D10/78, 83; 73/866.5, 40, 53.01, 431;
324/66, 67, 158 P, 539-542, 556, 113,
324/114, 115, 149, 503, 543, 555, 754, 141,
324/145, 156, 508; 340/585, 586, 635, 687,
340/654; 379/21, 60, 66, 96, 106.1-106.11;
702/186

See application file for complete search history.

(56) **References Cited**

U.S. PATENT DOCUMENTS

D366,220 S *	1/1996	Sakamoto	D10/65
D462,021 S *	8/2002	Kuramoto	D10/78
D515,951 S *	2/2006	Clark	D10/78
D629,318 S *	12/2010	Disch et al.	D10/78
D677,184 S *	3/2013	Kluser et al.	D10/78

* cited by examiner

Primary Examiner — Antoine D Davis

(74) *Attorney, Agent, or Firm* — Epstein Drangel LLP;
Robert L. Epstein

(57) **CLAIM**

The ornamental design for a refrigeration test meter, as shown and described.

DESCRIPTION

FIG. 1 is an isometric view showing the top, front and side of my invention;

FIG. 2 is a front elevation view of my invention;

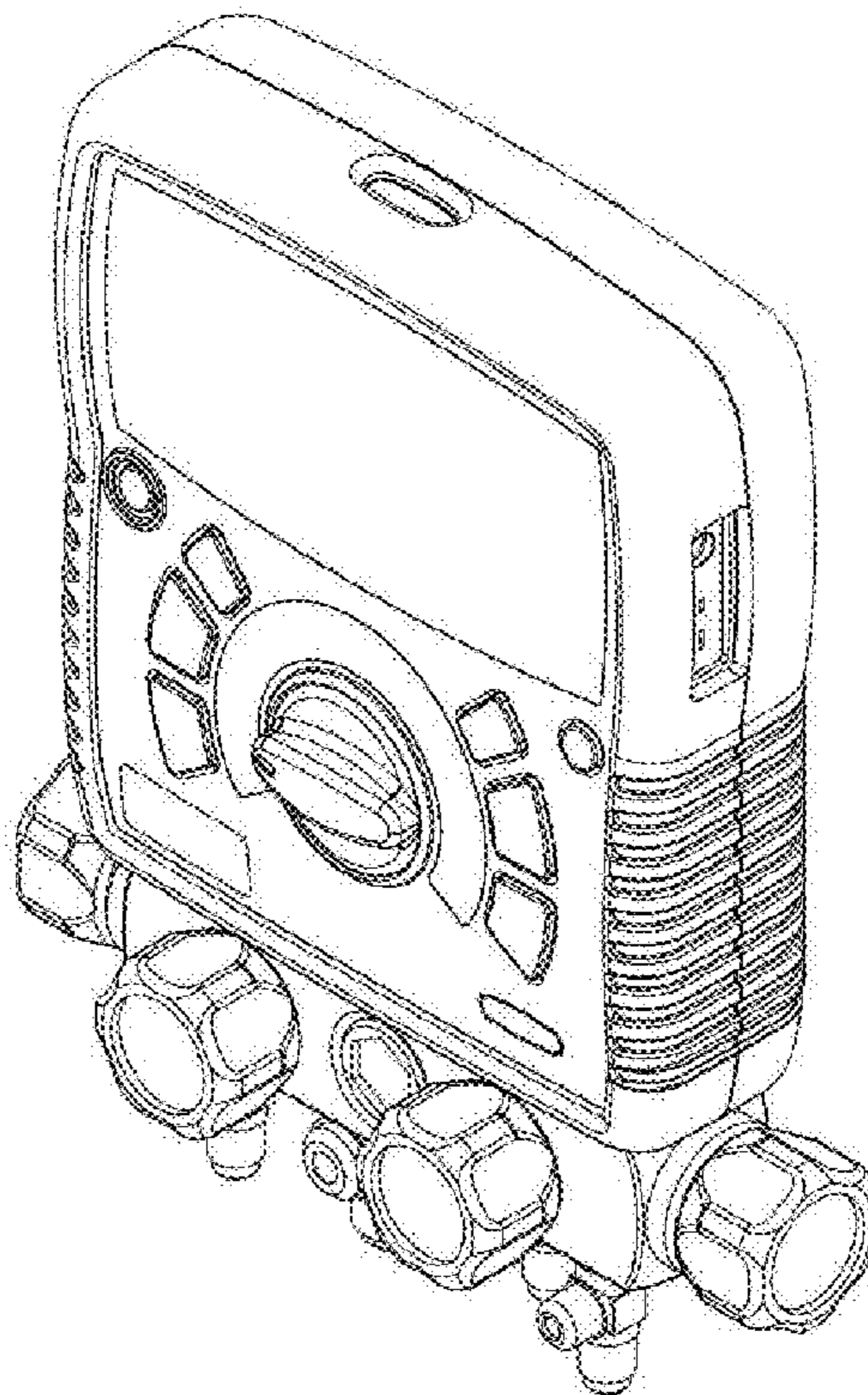
FIG. 3 is a back elevation view of my invention;

FIG. 4 is a right-side elevation view of my invention;

FIG. 5 is a left-side elevation view of my invention; and,

FIG. 6 is a bottom elevation view of my invention.

1 Claim, 6 Drawing Sheets



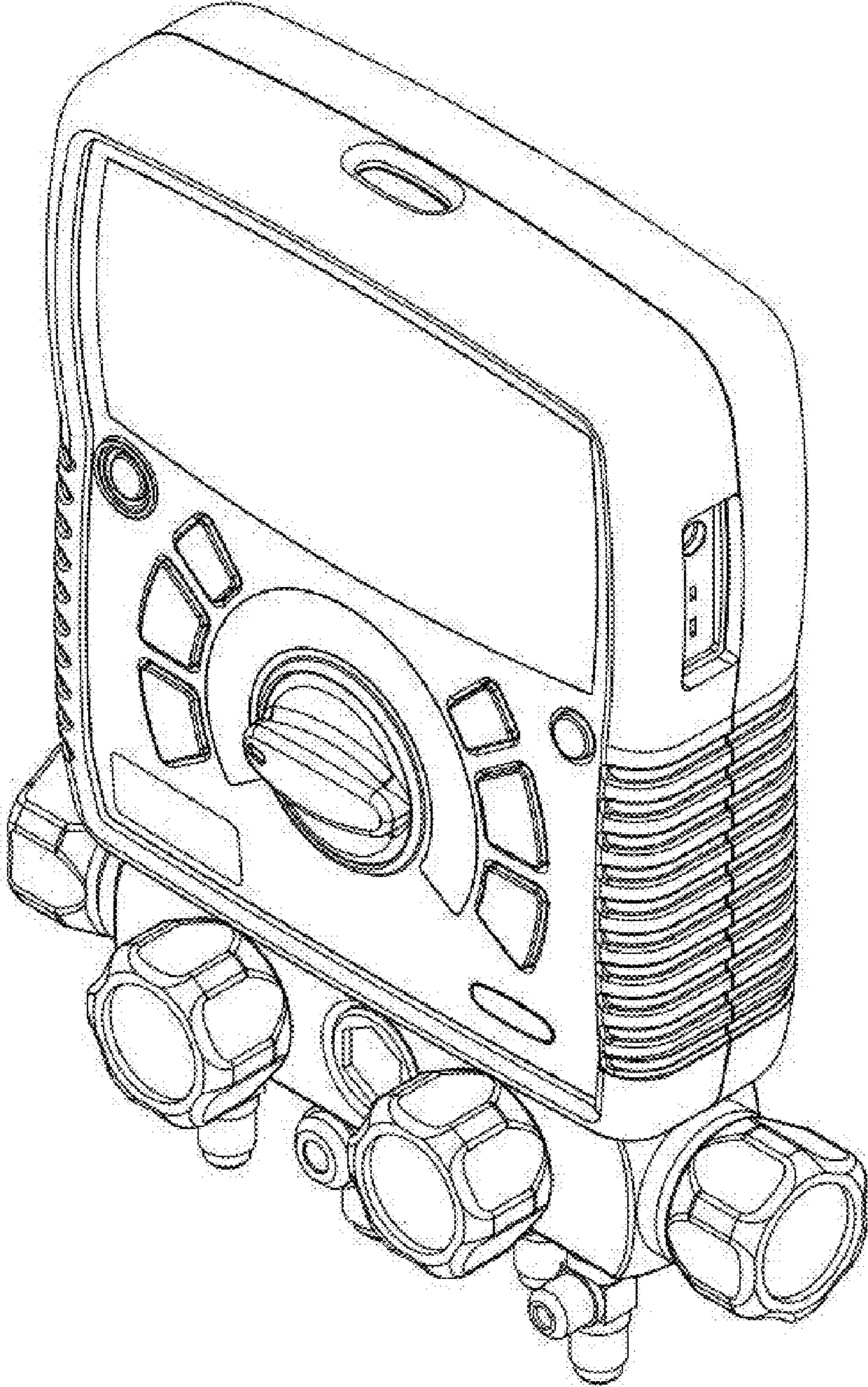


Fig. 1

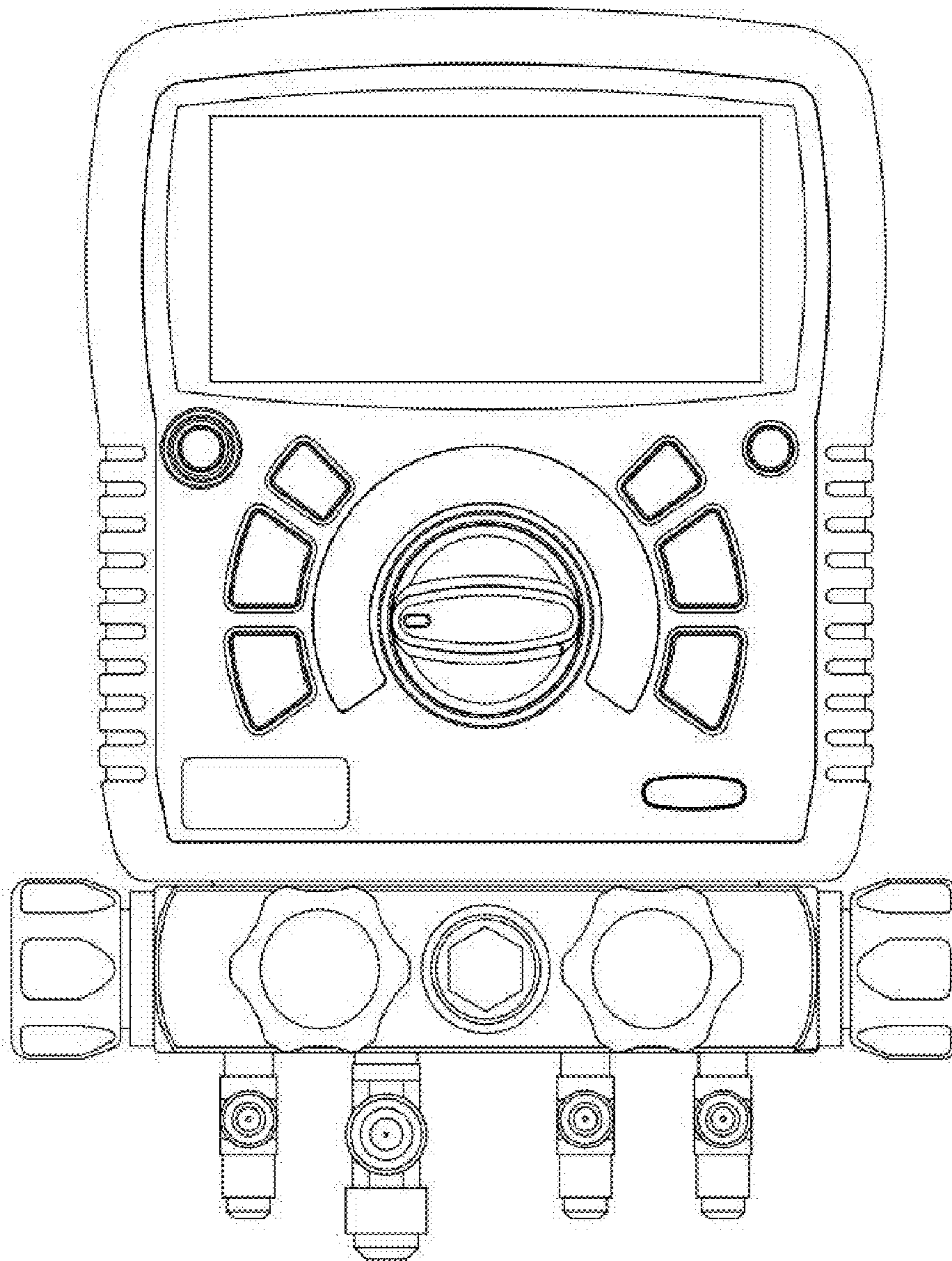


Fig. 2

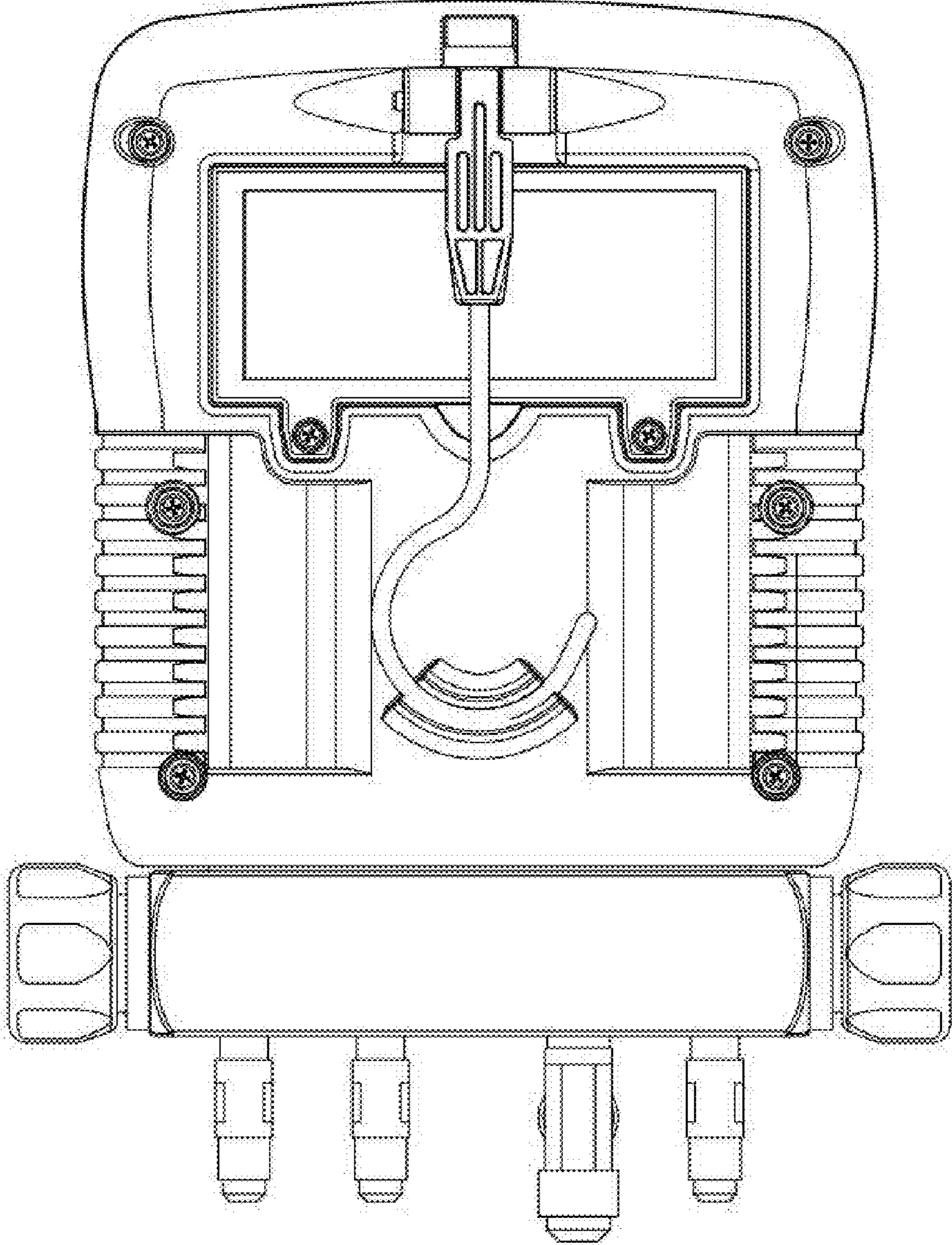


Fig. 3

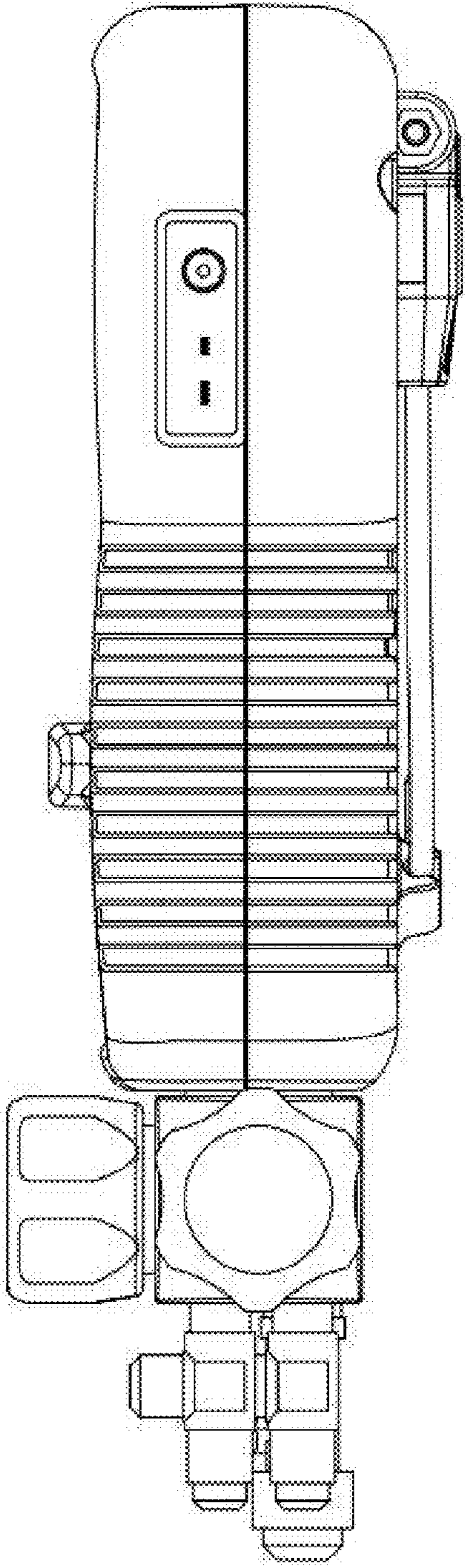


Fig. 4

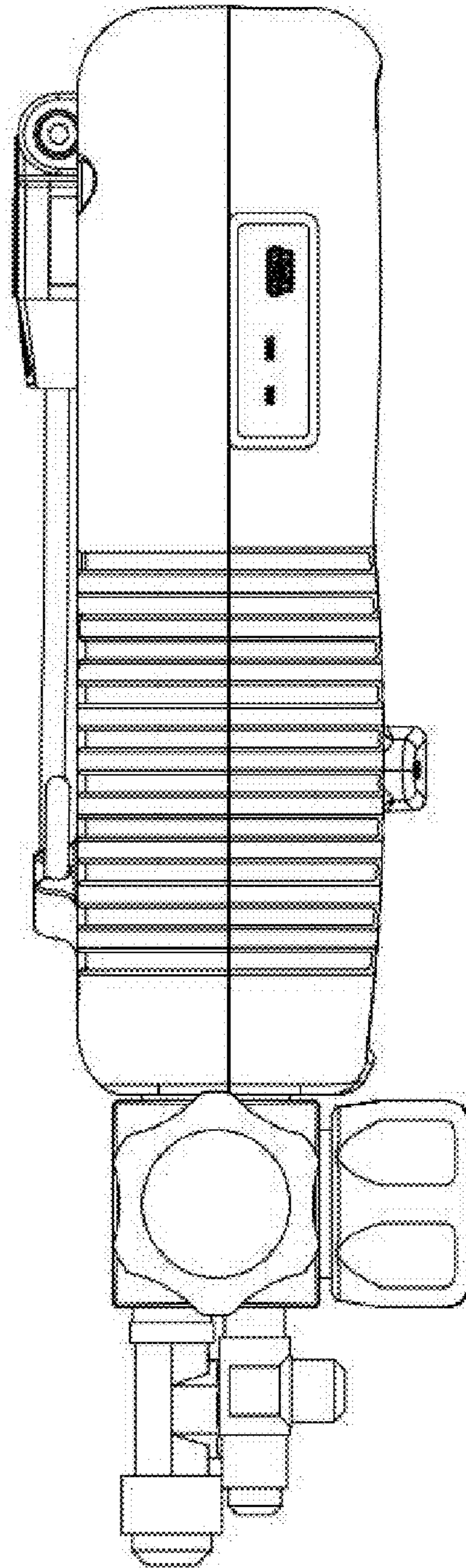


Fig. 5

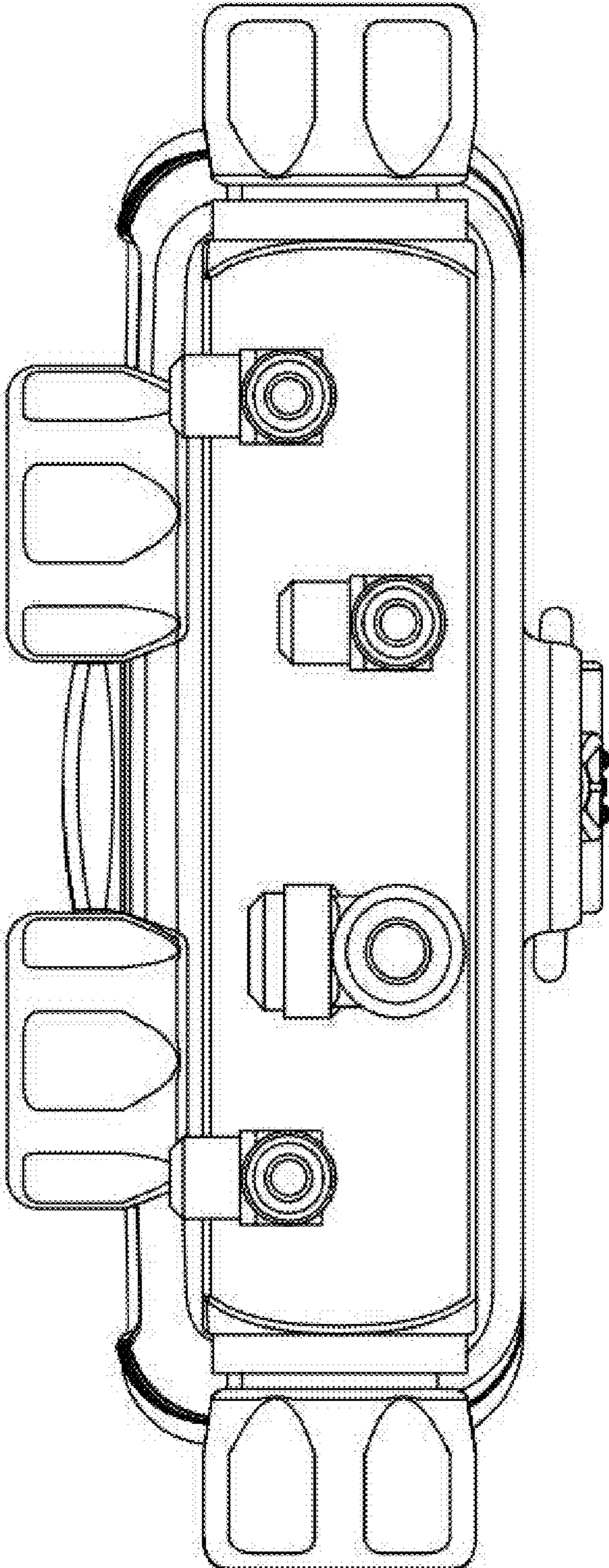


Fig. 6