



US00D695137S

(12) **United States Design Patent**
Buckley et al.

(10) **Patent No.:** **US D695,137 S**
(45) **Date of Patent:** **** Dec. 10, 2013**

- (54) **CARTON**
- (71) Applicant: **Brødrene Hartmann A/S, Gentofte (DK)**
- (72) Inventors: **Nick Buckley, Rickmansworth (GB); Hans Erik Roth, Aabenraa (DK)**
- (73) Assignee: **Brødrene Hartmann A/S, Gentofte (DK)**
- (**) Term: **14 Years**
- (21) Appl. No.: **29/421,841**
- (22) Filed: **Oct. 3, 2012**
- (30) **Foreign Application Priority Data**
Apr. 3, 2012 (EM) 001321087
- (51) **LOC (9) Cl.** **09-03**
- (52) **U.S. Cl.**
USPC **D9/762; D9/757**
- (58) **Field of Classification Search**
USPC D9/762, 757, 737, 761, 420, 425, 426, D9/456; D7/611; 220/508; 206/521, 521.1, 206/521.3, 521.4, 521.6, 521.8, 521.9, 564; 229/406
See application file for complete search history.

3,593,910	A *	7/1971	Bessett et al.	206/521.1
3,813,027	A *	5/1974	Misdorn et al.	206/521.1
4,492,331	A *	1/1985	Bixler et al.	206/521.1
4,742,952	A *	5/1988	Bixler et al.	229/125.36
D385,780	S *	11/1997	Krupa et al.	D9/757
D412,841	S *	8/1999	Herbruck	D9/762
D418,405	S *	1/2000	Herbruck	D9/762
6,012,583	A *	1/2000	Ramirez	206/521.1
D466,802	S *	12/2002	Davkovski	D9/757
6,488,152	B1 *	12/2002	Steffann	206/521.1
D484,796	S *	1/2004	Buckley	D9/757
D491,463	S *	6/2004	Zelina et al.	D9/757
D506,932	S *	7/2005	Ramirez	D9/737
D514,954	S *	2/2006	Kim	D9/757
D520,377	S *	5/2006	Beese et al.	D9/762
D560,492	S *	1/2008	Markowicz et al.	D9/721
7,353,951	B2 *	4/2008	Vovan	206/521.8
D606,421	S *	12/2009	Krummenacher	D9/757
7,665,608	B2 *	2/2010	Buckley	206/521.1
D632,974	S *	2/2011	Dijkstra et al.	D9/757
D632,975	S *	2/2011	Dijkstra et al.	D9/757
D632,976	S *	2/2011	Dijkstra et al.	D9/757
D632,977	S *	2/2011	Dijkstra et al.	D9/757

* cited by examiner

Primary Examiner — Mark Goodwin
(74) *Attorney, Agent, or Firm* — Stites & Harbison PLLC; Marvin Petry

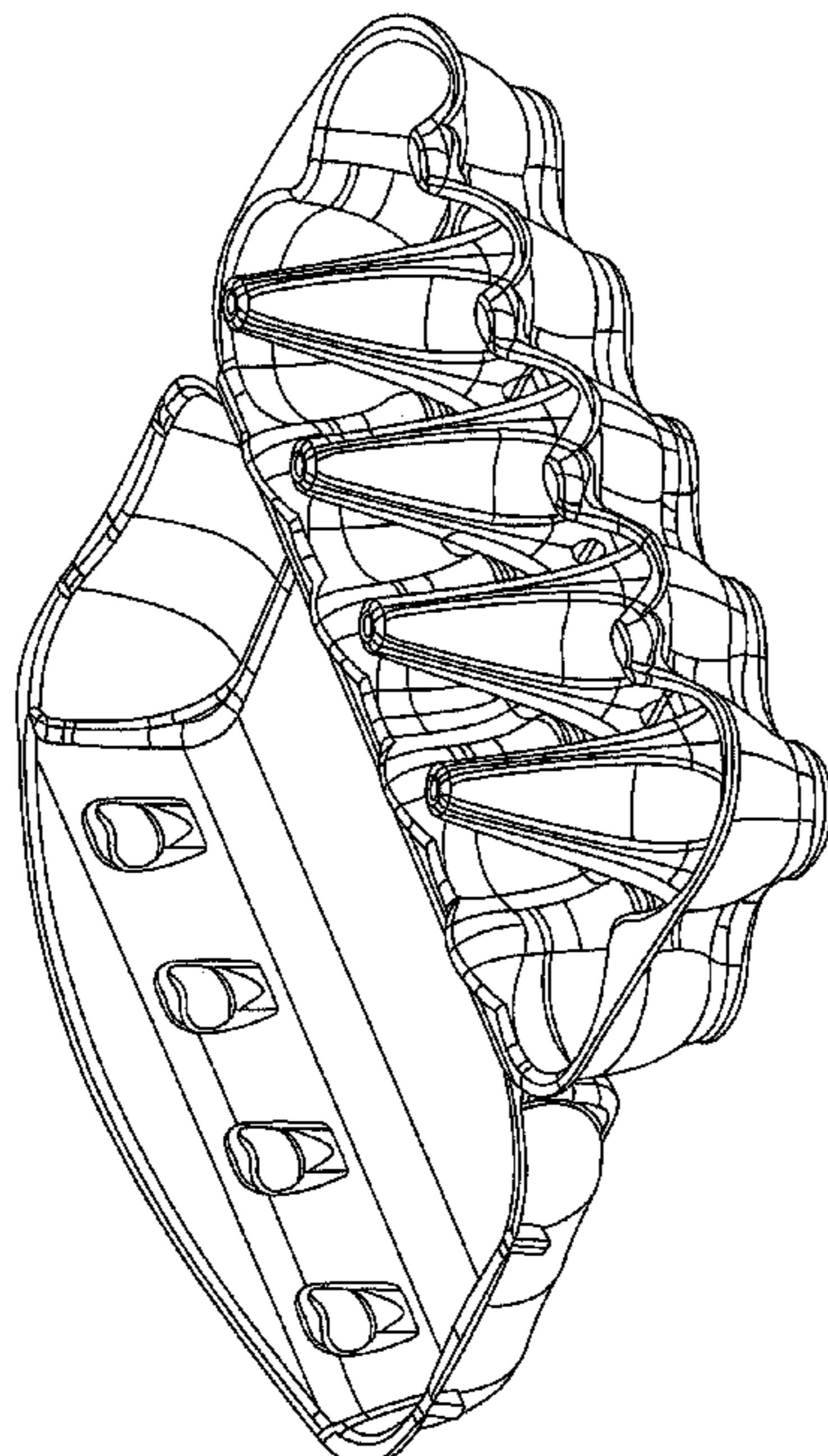
(57) **CLAIM**
The ornamental design for a carton, as shown and described.

DESCRIPTION

FIG. 1 is a top left perspective view of a carton in an open position, showing my new design;
FIG. 2 is a bottom left perspective view thereof.
FIG. 3 is a top right perspective view thereof; and,
FIG. 4 is a bottom right perspective view thereof.

1 Claim, 4 Drawing Sheets

- (56) **References Cited**
U.S. PATENT DOCUMENTS
3,362,605 A * 1/1968 Bixler 206/521.1
3,372,856 A * 3/1968 Erhart et al. 229/123.2
3,392,902 A * 7/1968 Donovan 206/521.1
3,471,078 A * 10/1969 Seest et al. 206/521.8
3,531,039 A * 9/1970 Boyd et al. 206/521.8



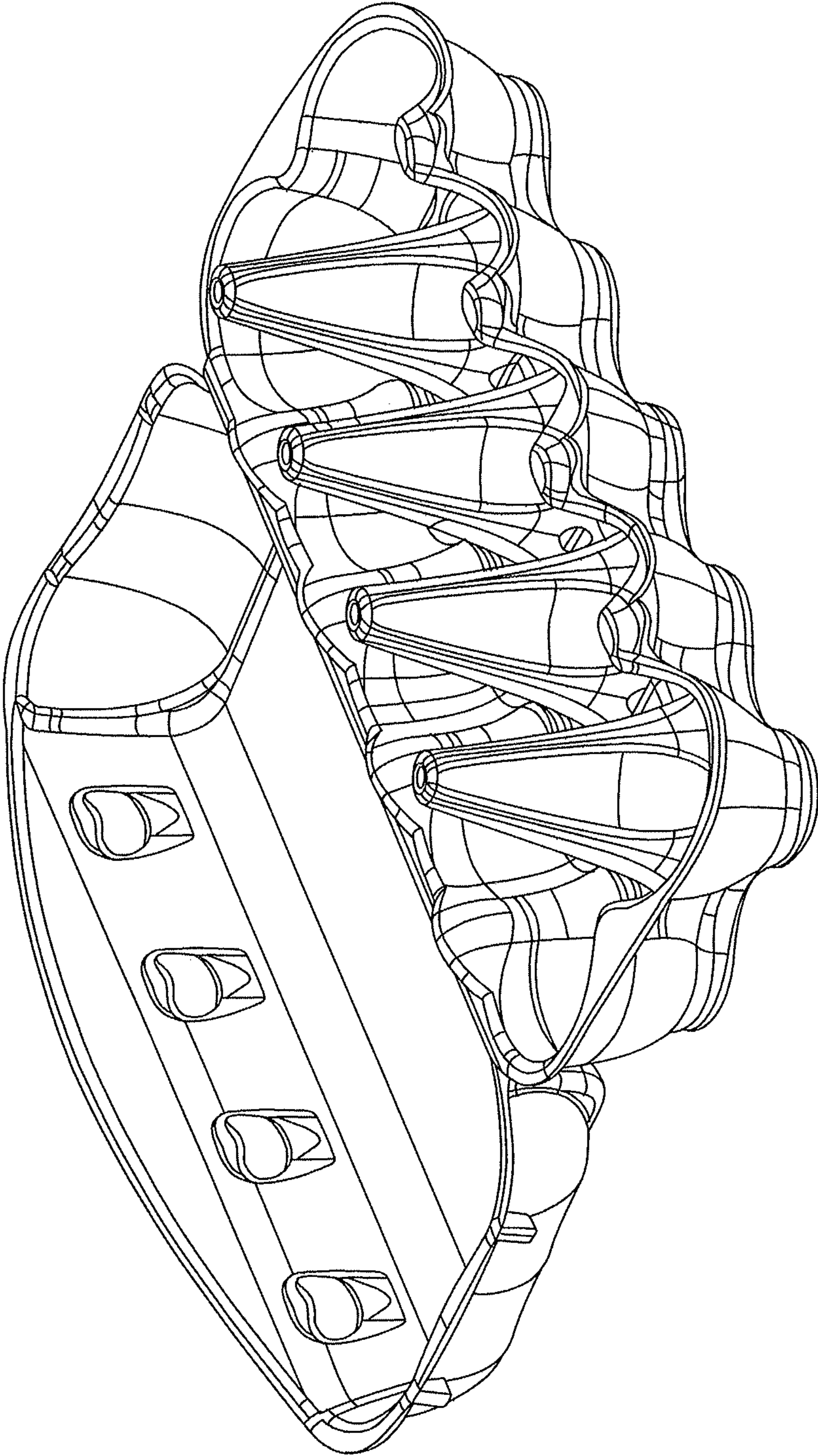


Fig. 1

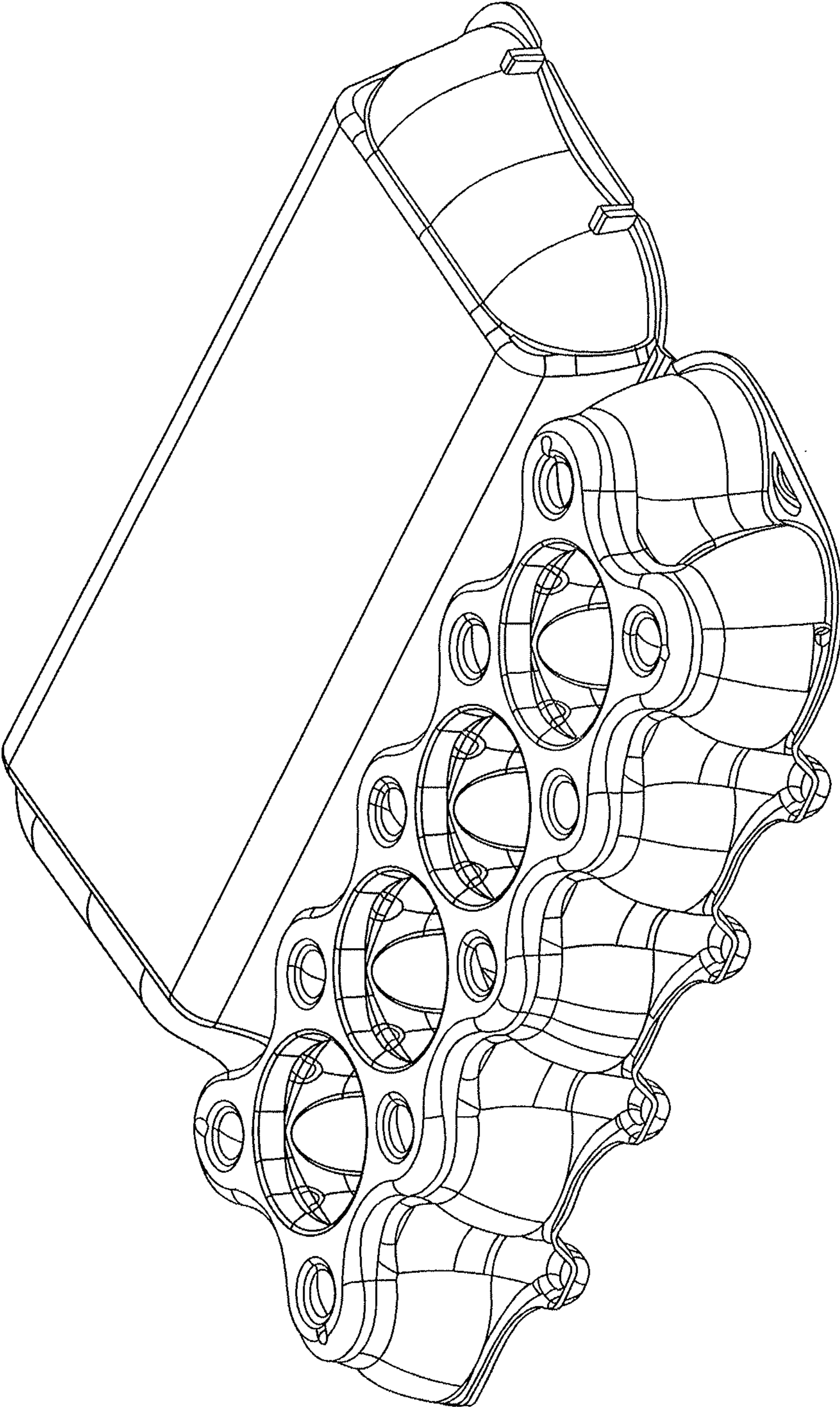


Fig. 2

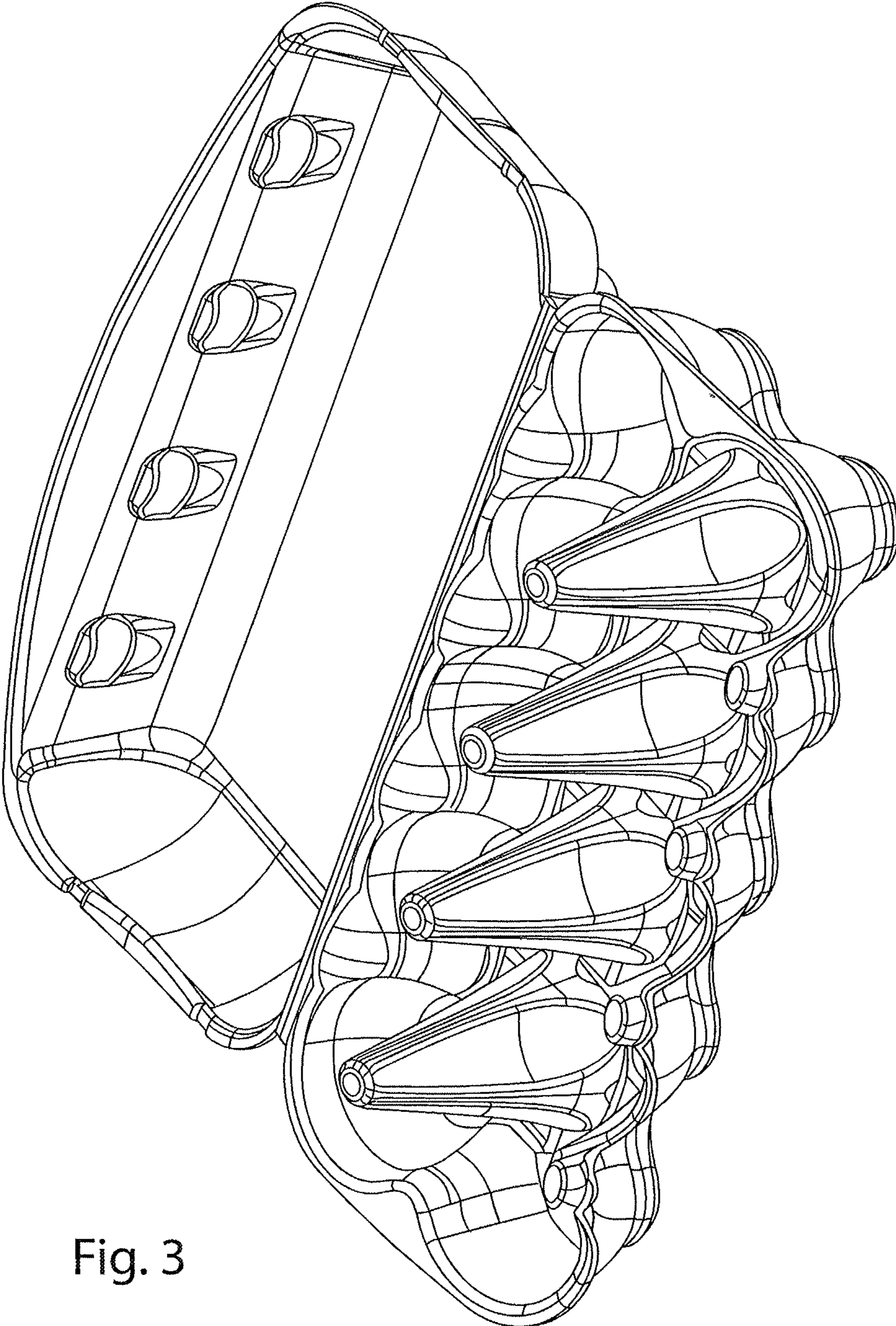


Fig. 3

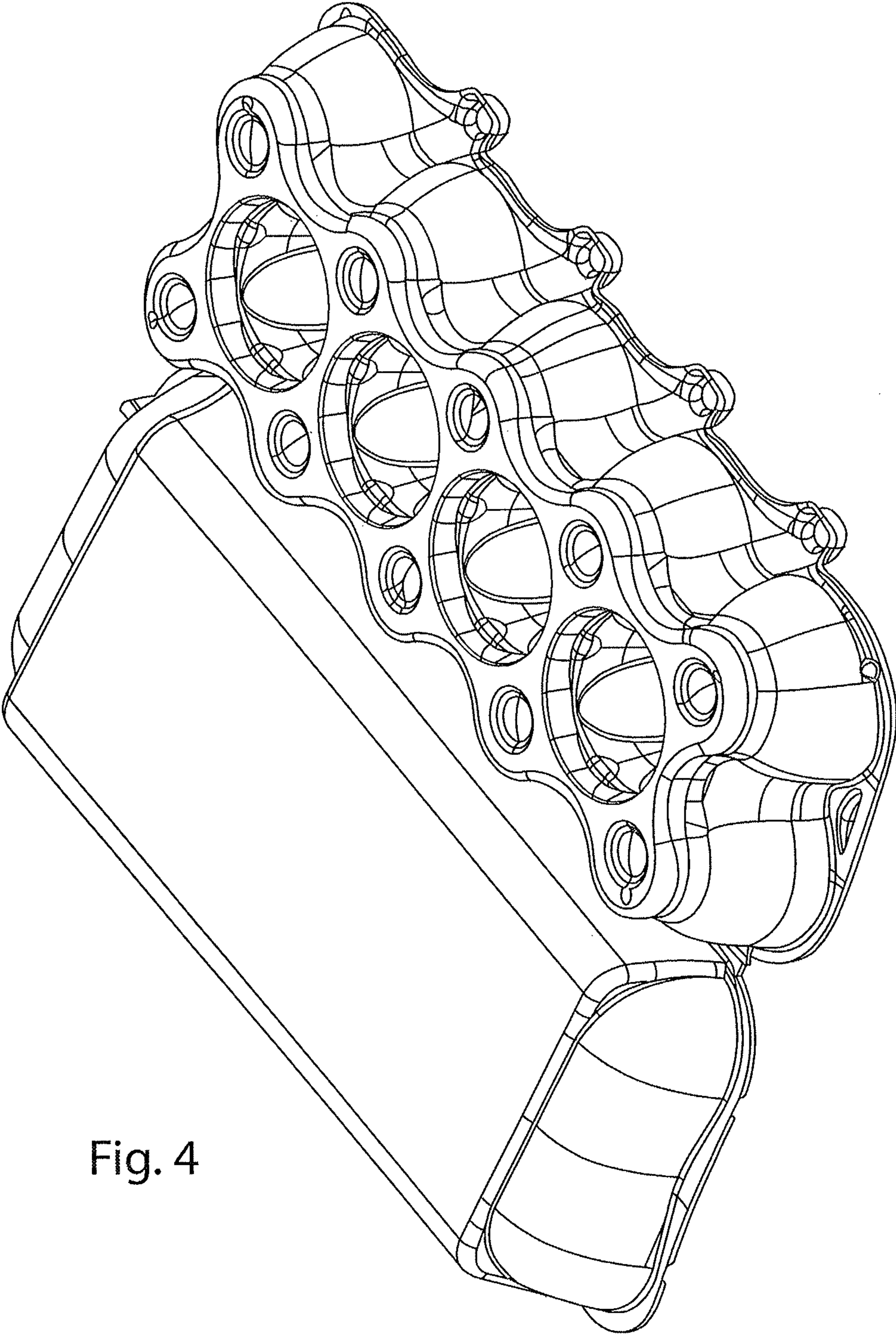


Fig. 4