



US00D695131S

(12) **United States Design Patent**
Mansau

(10) **Patent No.:** **US D695,131 S**
(45) **Date of Patent:** **** Dec. 10, 2013**

(54) **PERFUME BOTTLE**

(71) Applicant: **KENZO**, Paris (FR)

(72) Inventor: **Serge Mansau**, Paris (FR)

(73) Assignee: **KENZO**, Paris (FR)

(**) Term: **14 Years**

(21) Appl. No.: **29/440,234**

(22) Filed: **Dec. 20, 2012**

(30) **Foreign Application Priority Data**

Jun. 25, 2012 (EM) 002062869-0001

(51) **LOC (9) Cl.** **09-01**

(52) **U.S. Cl.**
USPC **D9/690**

(58) **Field of Classification Search**
USPC D9/500-505, 600-681, 682-694, 719,
D9/516-518, 529, 544-545, 549-571,
D9/434-454; D28/5, 76, 77, 91.1;
215/200, 227, 228, 378, 379, 382;
220/376, 377, 602, 662, 665, 669, 915;
222/153.13, 153.14, 182, 183

See application file for complete search history.

(56) **References Cited**

U.S. PATENT DOCUMENTS

D78,195 S * 4/1929 DeLaize D9/739
D157,332 S * 2/1950 Bolard D9/439

D242,120 S * 11/1976 Berenstein D9/688
D342,141 S * 12/1993 Baxter D24/224
5,447,374 A * 9/1995 Fraser et al. 374/208
D459,656 S * 7/2002 Burger D9/503
D463,746 S * 10/2002 de Baschmakoff D9/500
D483,265 S * 12/2003 Maffei D9/500
D513,986 S * 1/2006 Healy et al. D9/445
D541,158 S * 4/2007 Herrmann D9/505
D555,505 S * 11/2007 Brandt D9/688
D573,035 S * 7/2008 Dean D9/690
D576,044 S * 7/2008 Berthet et al. D9/545
D576,044 S * 9/2008 Lamb et al. D9/504
D589,818 S * 4/2009 Veillet D9/694
D595,537 S * 7/2009 Mansfield et al. D7/396.1
D633,389 S * 3/2011 Jorgensen D9/503
D643,721 S * 8/2011 Blinn D9/440

* cited by examiner

Primary Examiner — Catherine Tuttle

(74) *Attorney, Agent, or Firm* — Stites & Harbison PLLC;
Douglas E. Jackson

(57) **CLAIM**

The ornamental design for a perfume bottle, as shown.

DESCRIPTION

FIG. 1 is a front view of a perfume bottle showing the new design.

FIG. 2 is a rear view thereof.

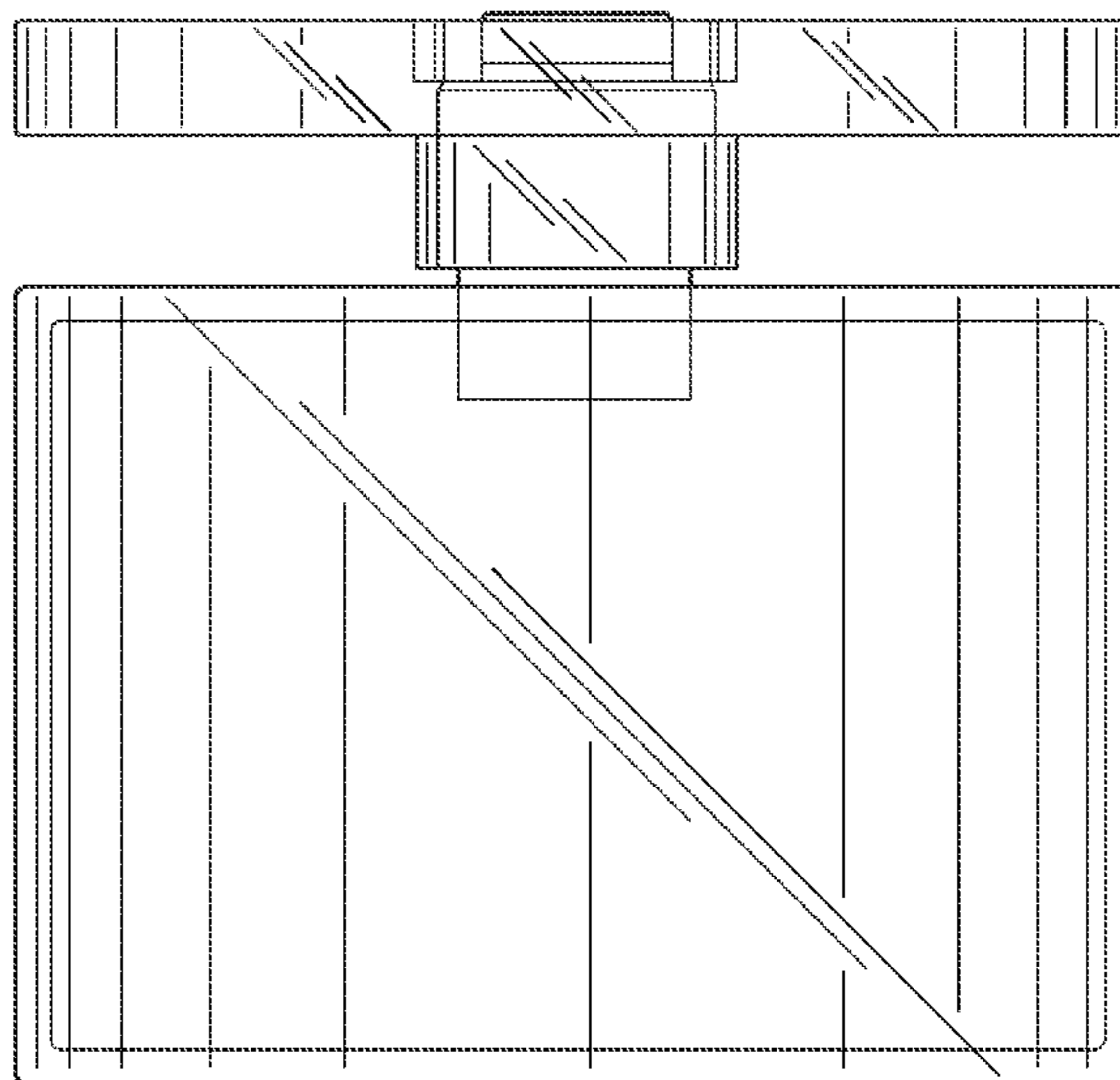
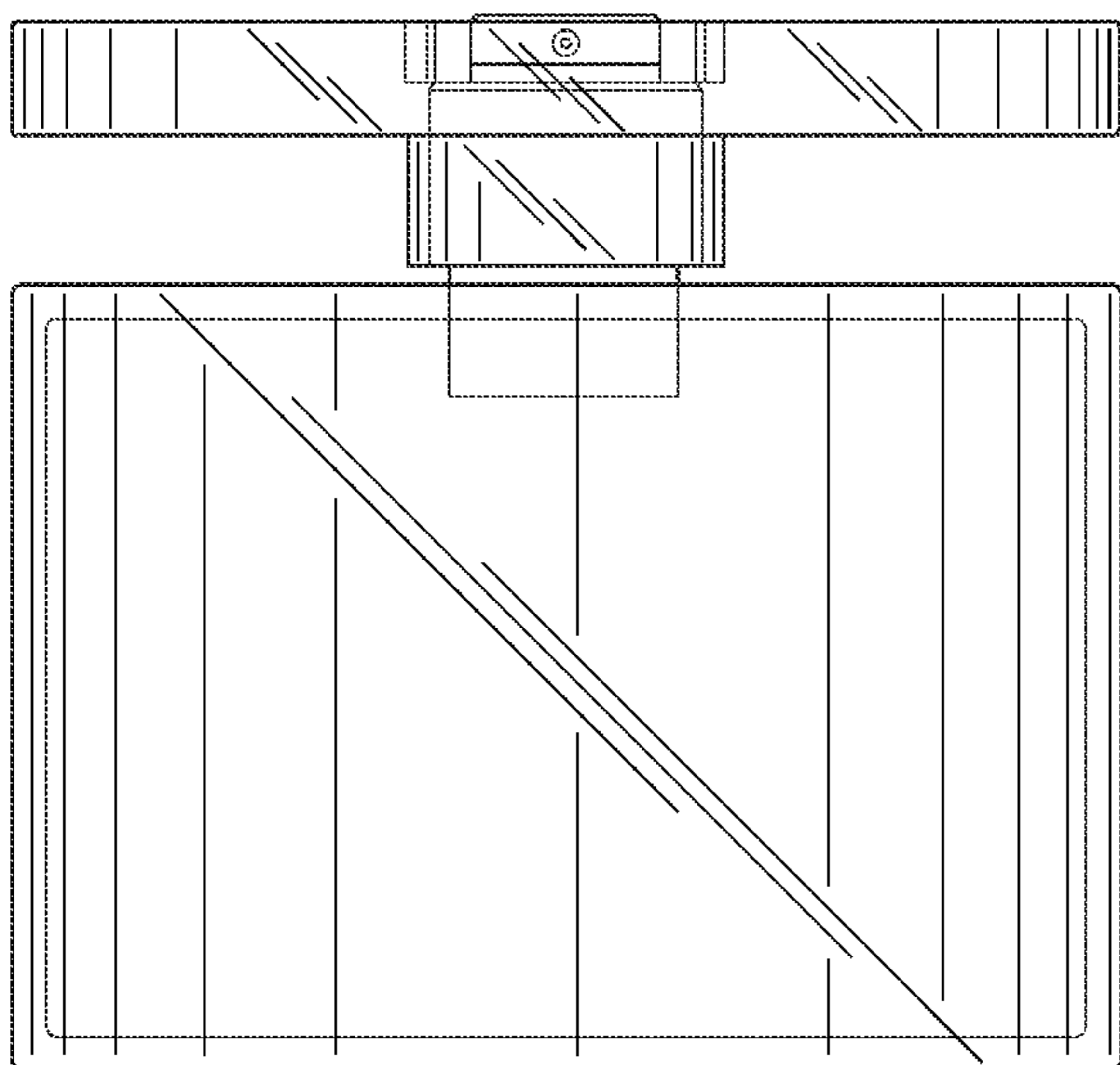
FIG. 3 is a right side view thereof, where the left side view is a mirror image.

FIG. 4 is a top view thereof.

FIG. 5 is a bottom view thereof; and,

FIG. 6 is a front, top and left side perspective view thereof.

1 Claim, 6 Drawing Sheets



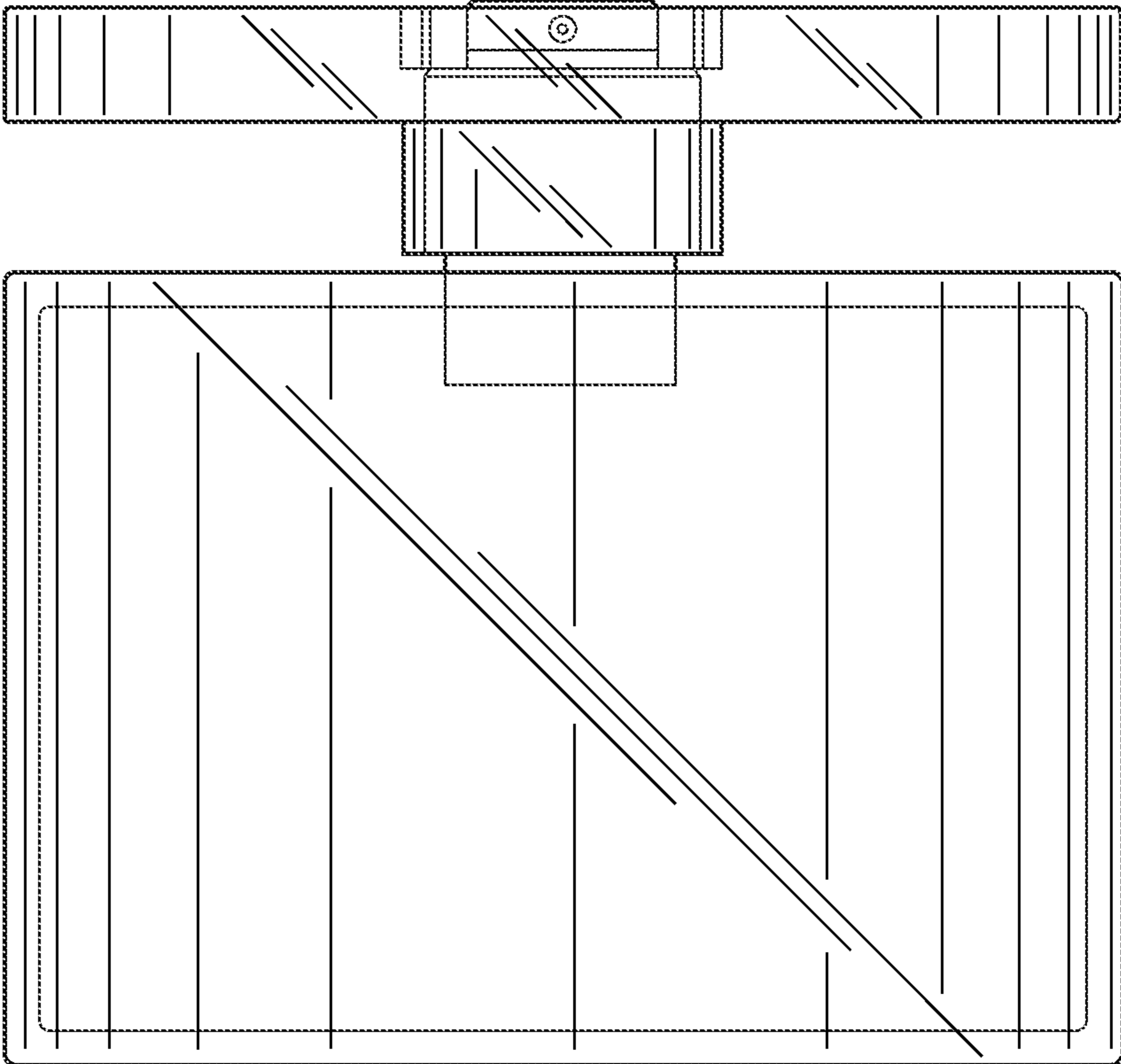


FIG. 1

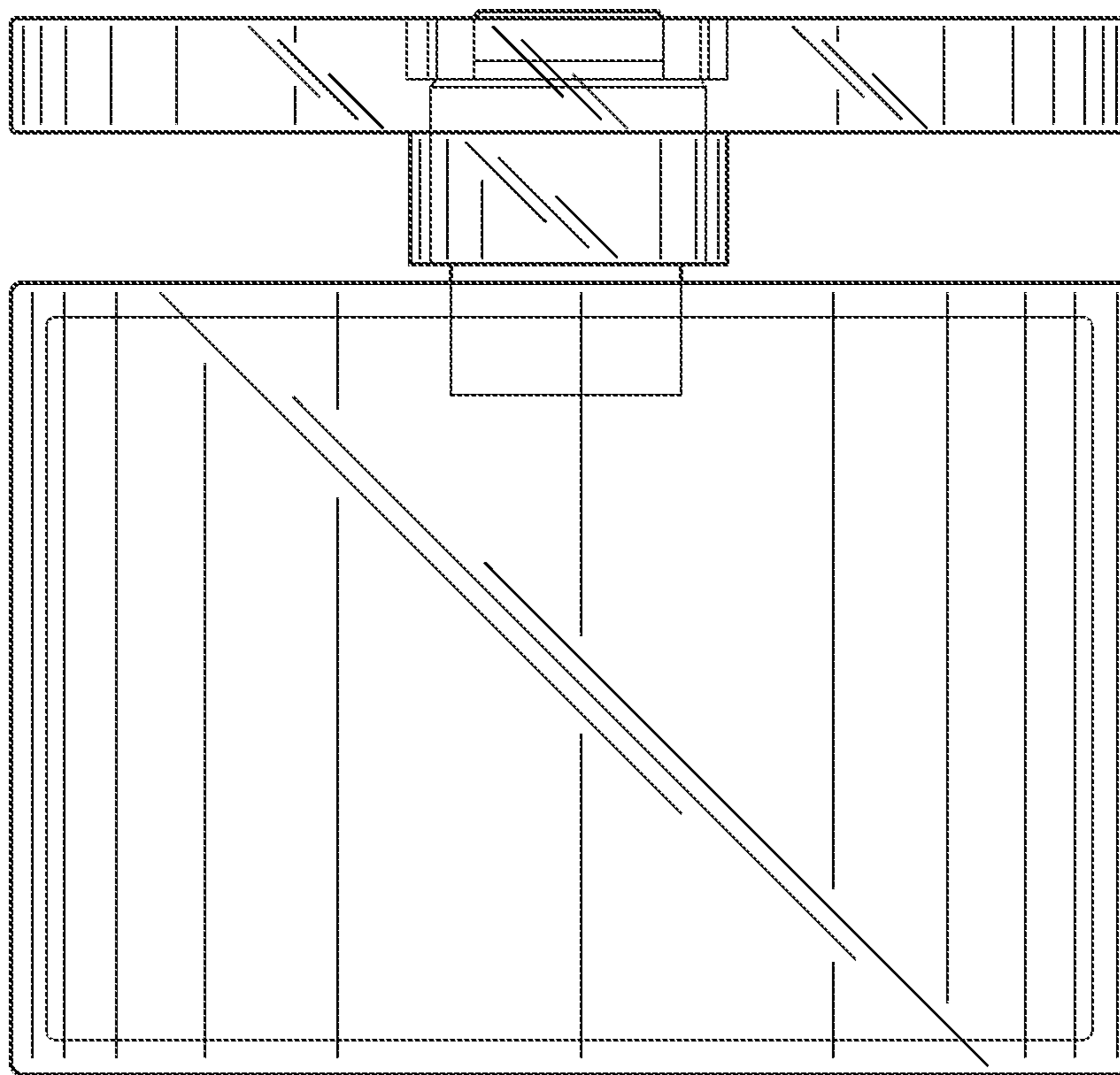


FIG. 2

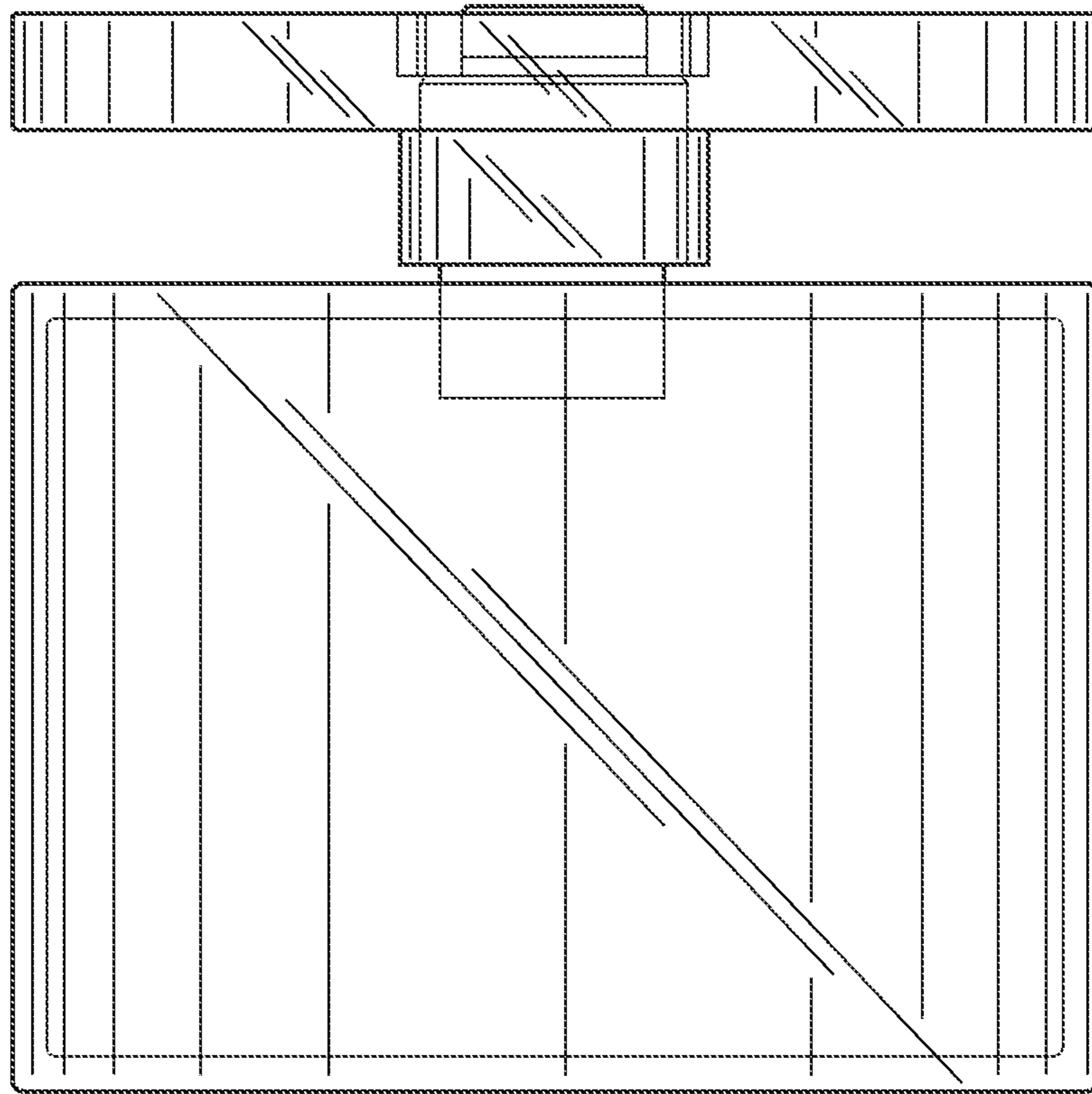


FIG. 3

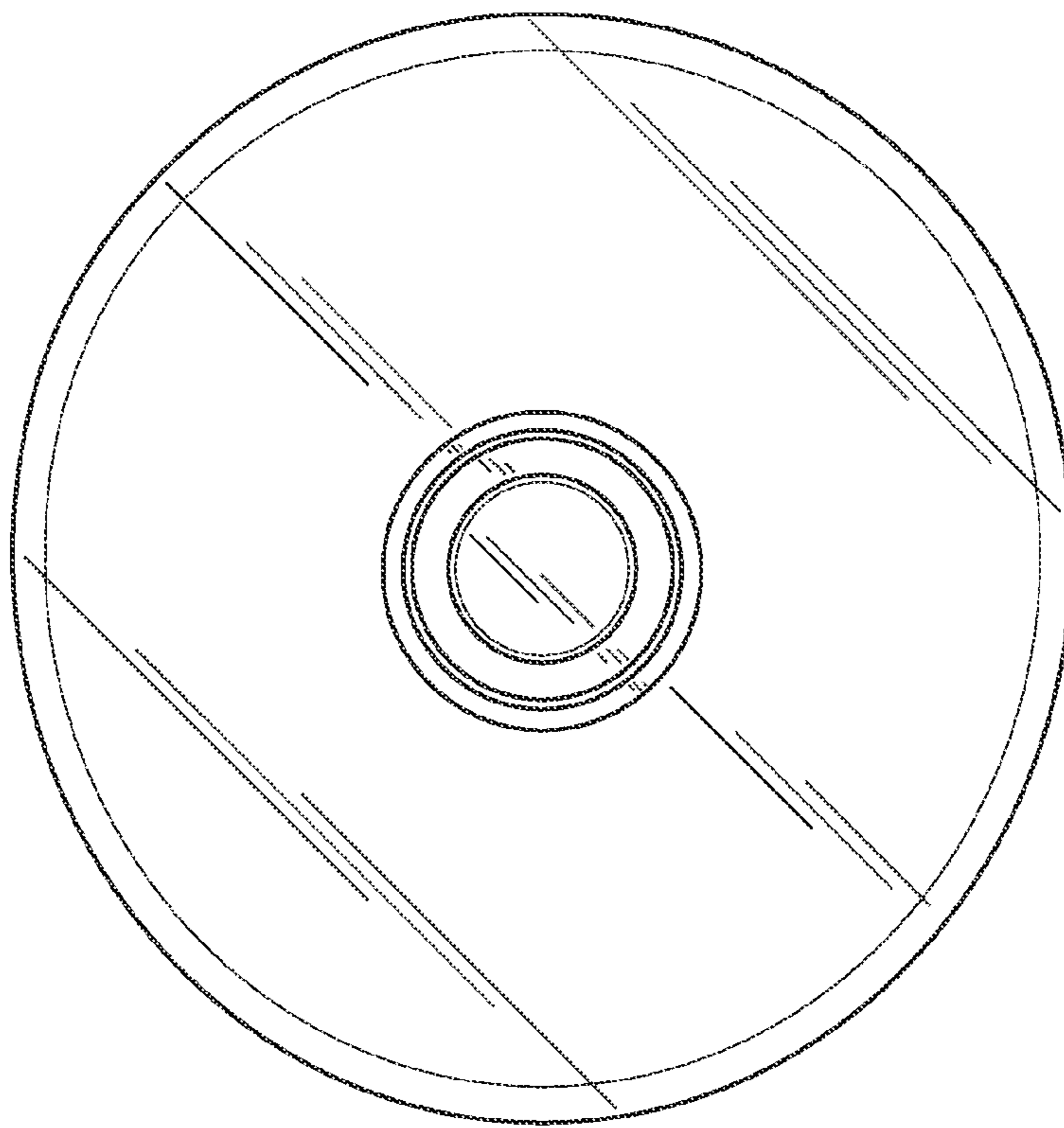


FIG. 4

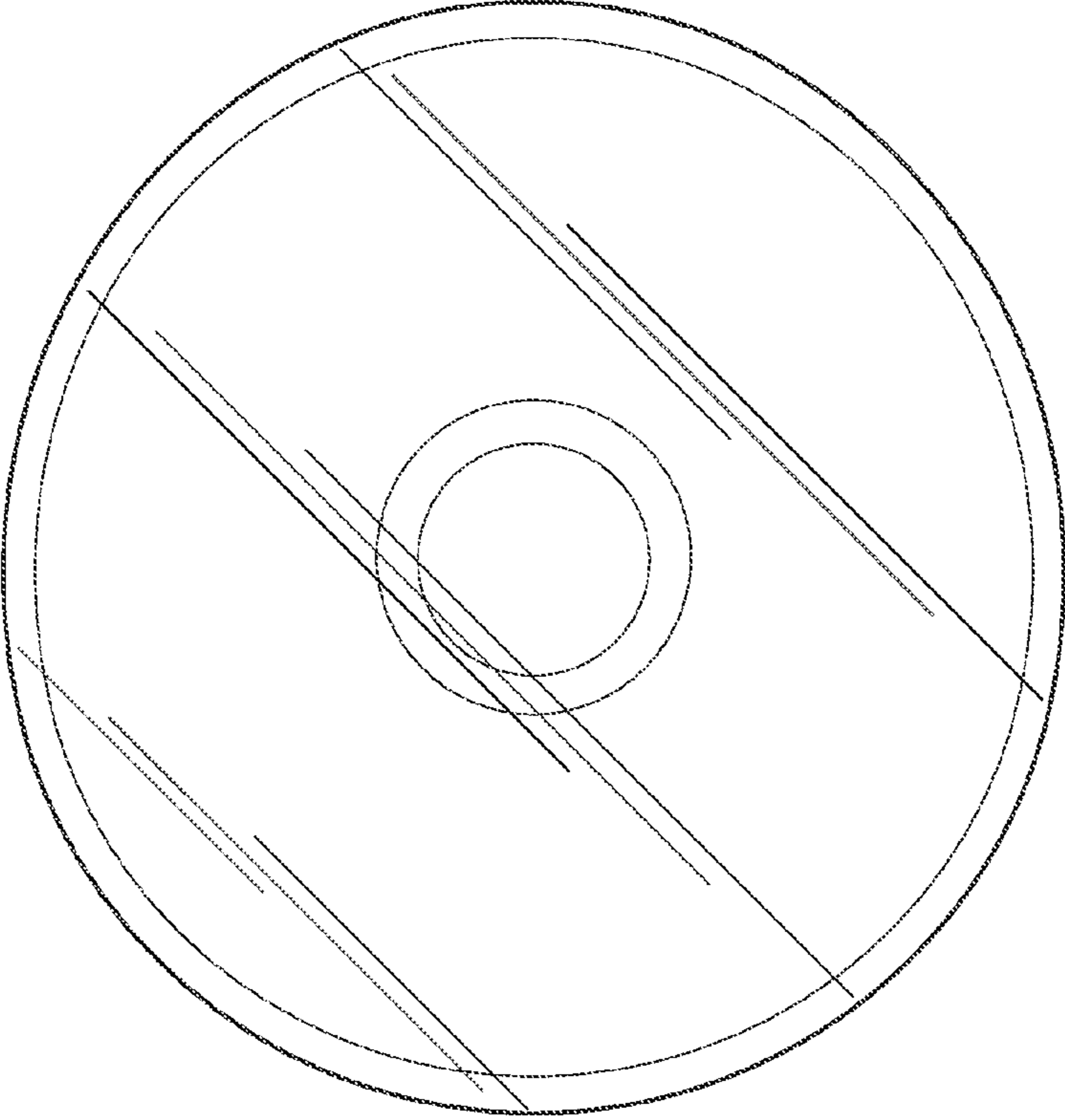


FIG. 5

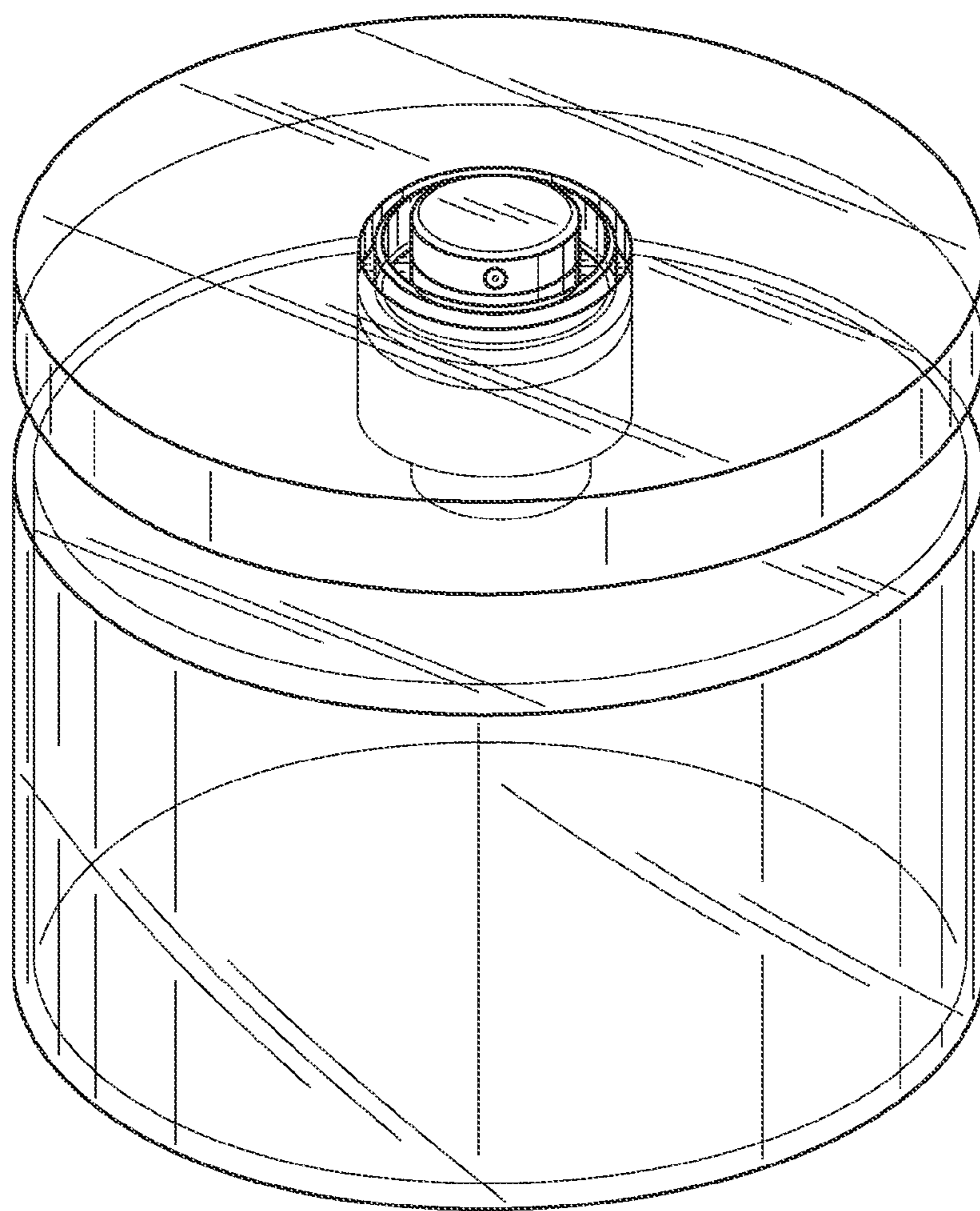


FIG. 6