



US00D695130S

(12) **United States Design Patent**  
**Revivo**

(10) **Patent No.:** **US D695,130 S**

(45) **Date of Patent:** **\*\* Dec. 10, 2013**

(54) **SQUARE-SHAPED DOUBLE BOTTLE  
FORMED FROM TWO TRIANGULAR  
BOTTLES RETAINED TOGETHER TO FORM  
A FULL SQUARE-SHAPED DOUBLE BOTTLE**

D569,737 S \* 5/2008 Ogawa et al. .... D9/740  
D588,929 S \* 3/2009 Boigeol et al. .... D9/691  
D594,761 S \* 6/2009 Lusker ..... D9/741  
2006/0175277 A1 \* 8/2006 Ho ..... 215/6  
2010/0314389 A1 \* 12/2010 Wojton et al. .... 220/23.4

(76) Inventor: **Jacob Revivo**, Sherman Oaks, CA (US)

FOREIGN PATENT DOCUMENTS

(\*\*) Term: **14 Years**

GB 2095378 \* 4/2001

(21) Appl. No.: **29/373,353**

\* cited by examiner

(22) Filed: **Apr. 1, 2011**

*Primary Examiner* — Catherine Tuttle

(51) **LOC (9) Cl.** ..... **09-01**

(74) *Attorney, Agent, or Firm* — Thomas I. Rozsa

(52) **U.S. Cl.**

(57) **CLAIM**

USPC ..... **D9/684**; D9/694

The ornamental design for a square-shaped double bottle formed from two triangular bottles retained together to form a full square-shaped double bottle, as shown and described.

(58) **Field of Classification Search**

**DESCRIPTION**

USPC ..... D9/682–694, 719, 737–747, 516–575,  
D9/434–436, 439, 440, 447–450; 215/6,  
215/10, 382–384, 386, 395; 220/4.21, 4.24,  
220/4.25, 4.27, 23.2, 23.4, 23.83, 23.86,  
220/669, 674, 675, 694, 737; 222/129, 135,  
222/143, 182, 631, 635, 209, 211–213, 215,  
222/321.7–321.9, 372, 373, 378, 379,  
222/383.1, 384–386, 398, 400.7, 400.8,  
222/401, 402.1–402.25

FIG. 1 is a perspective view showing my new design for the square-shaped double bottle formed from two triangular bottles retained together to form a full square-shaped double bottle;

See application file for complete search history.

FIG. 2 is a front elevational view thereof;

(56) **References Cited**

U.S. PATENT DOCUMENTS

D236,685 S \* 9/1975 Tripp ..... D9/693  
D280,599 S \* 9/1985 Green ..... D9/741  
D281,824 S \* 12/1985 Field ..... D28/76  
D284,839 S \* 7/1986 Biesecker ..... D9/572  
D290,434 S \* 6/1987 Brown ..... D6/544  
D313,347 S \* 1/1991 Fiore ..... D9/745  
5,316,159 A \* 5/1994 Douglas et al. .... 215/10  
D356,494 S \* 3/1995 Eke et al. .... D9/684  
D368,554 S \* 4/1996 Fiore ..... D28/85  
6,170,708 B1 \* 1/2001 Chen et al. .... 222/135  
D439,156 S \* 3/2001 Hall et al. .... D9/743  
D453,113 S \* 1/2002 Feen et al. .... D9/561  
6,604,655 B1 \* 8/2003 Lee ..... 222/135  
D558,605 S \* 1/2008 Bowers et al. .... D9/743

FIG. 3 is a rear elevational view thereof;

FIG. 4 is a left side elevational view thereof;

FIG. 5 is a right side elevational view thereof;

FIG. 6 is a bottom plan view thereof;

FIG. 7 is a top plan view thereof;

FIG. 8 is a bottom perspective view thereof;

FIG. 9 is a perspective view showing the rear triangular bottle separately for clarity and to disclose the surface obscured in the assembled views;

FIG. 10 is a front elevational view thereof;

FIG. 11 is a rear elevational view thereof;

FIG. 12 is a left side elevational view thereof;

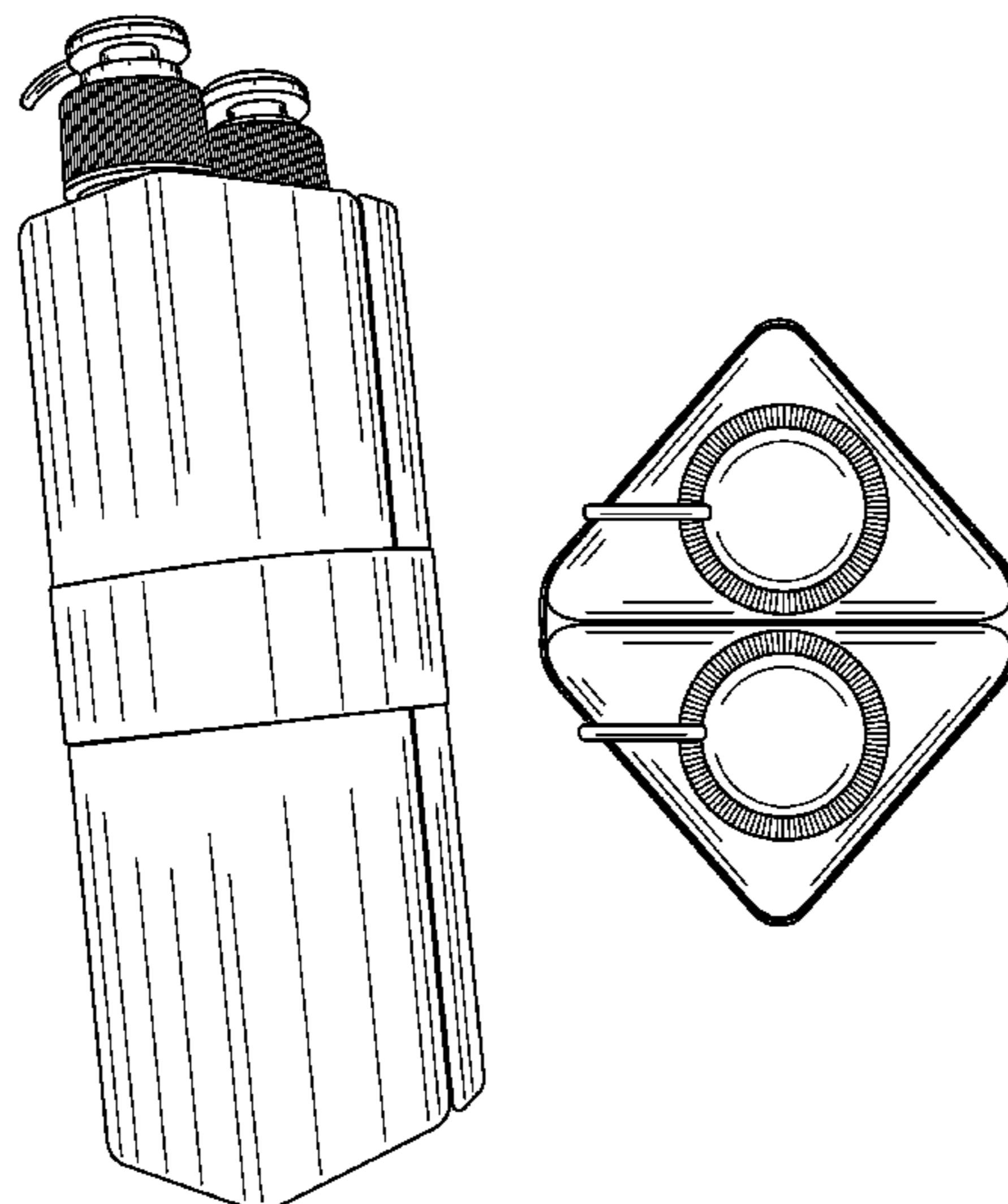
FIG. 13 is a right side elevational view thereof;

FIG. 14 is a bottom plan view thereof;

FIG. 15 is a top plan view thereof; and,

FIG. 16 is a bottom perspective view thereof.

**1 Claim, 14 Drawing Sheets**



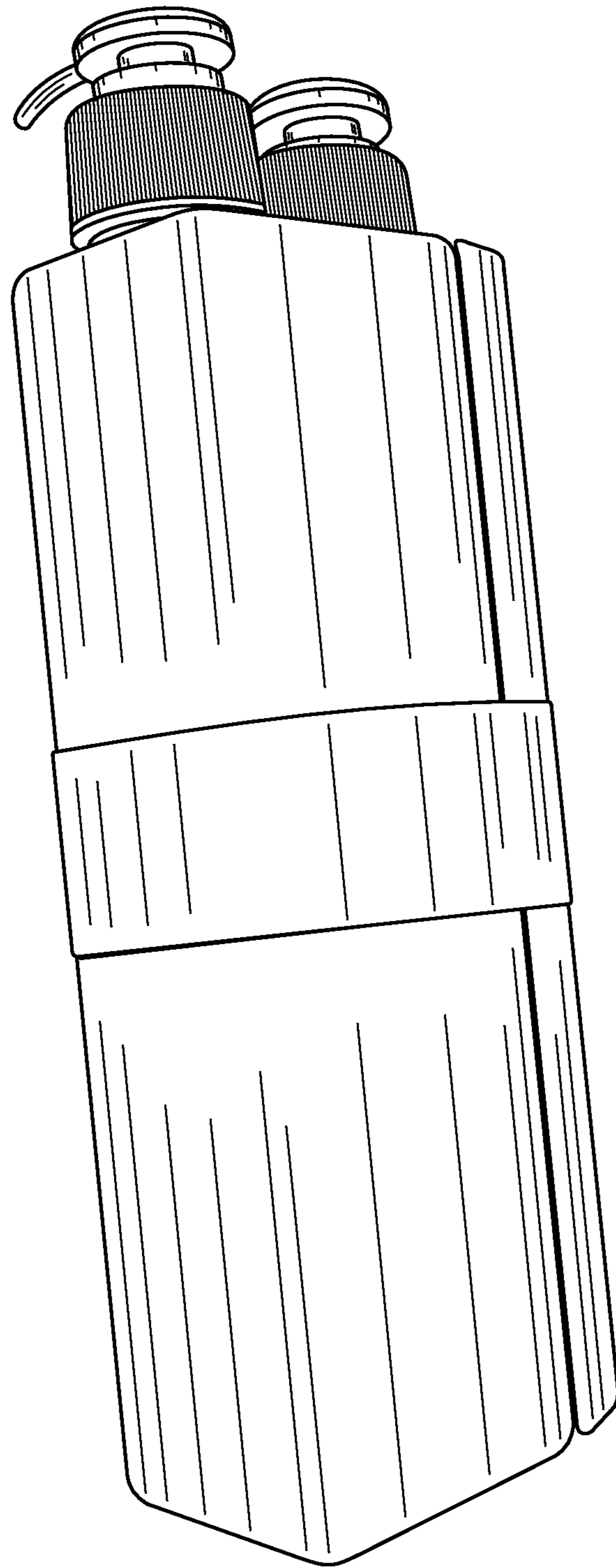


FIG. 1

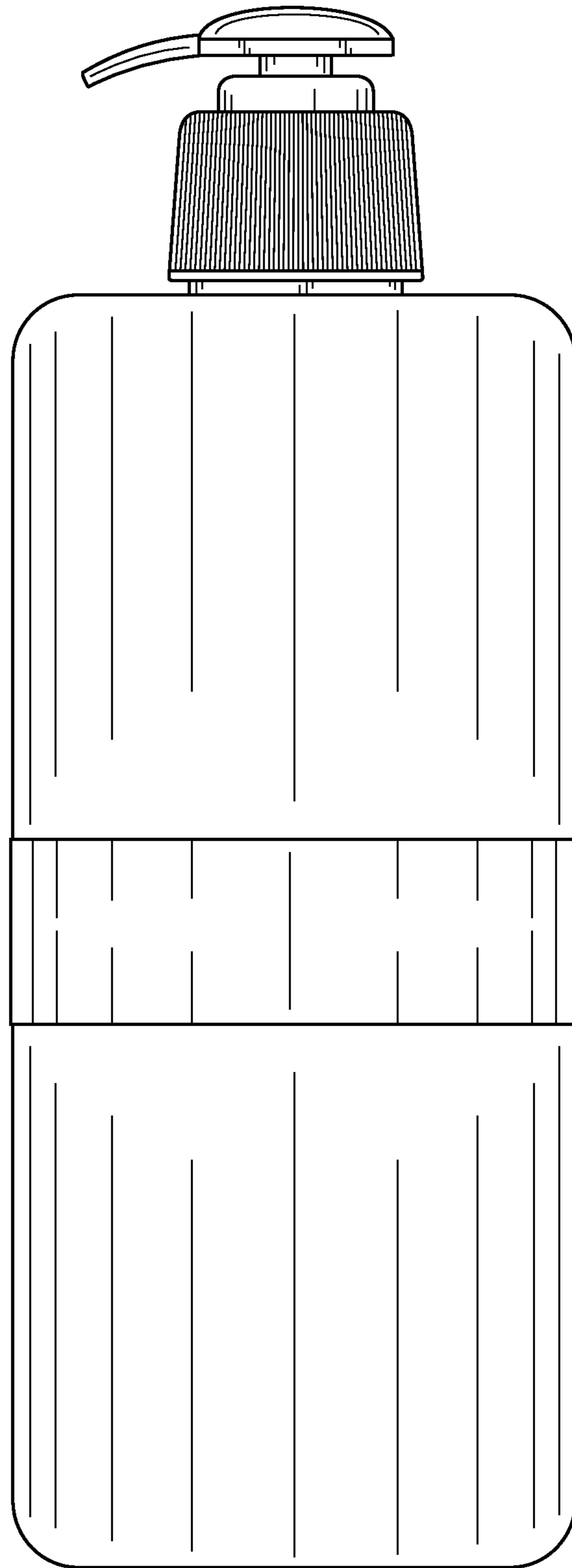


FIG. 2

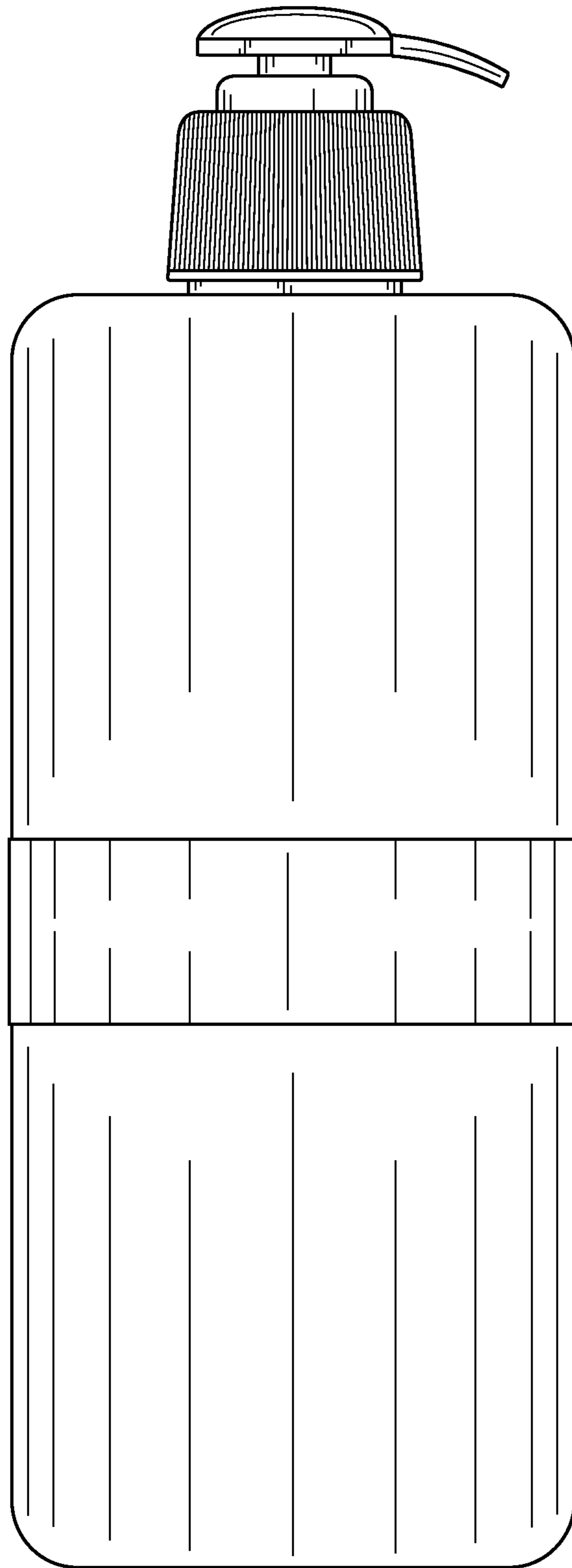


FIG. 3

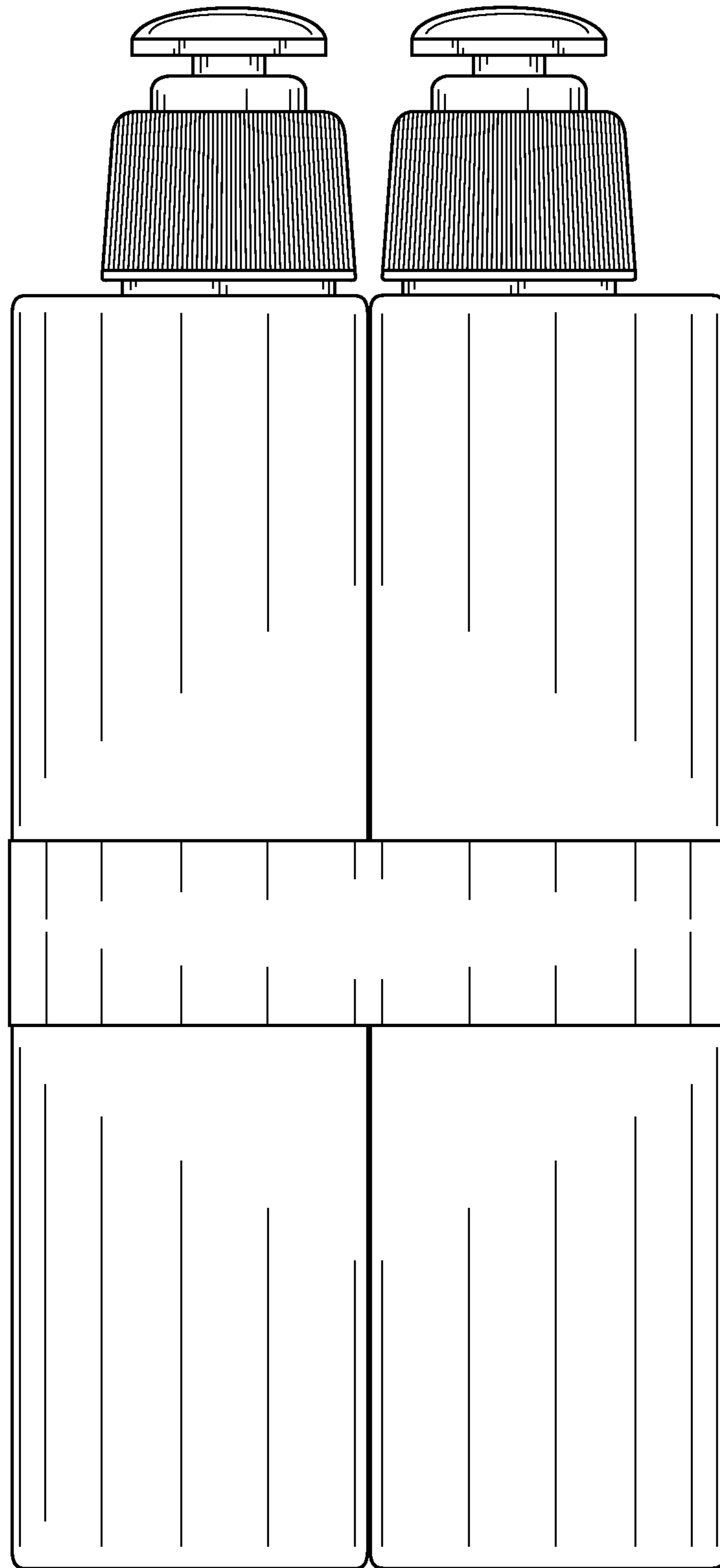


FIG. 4

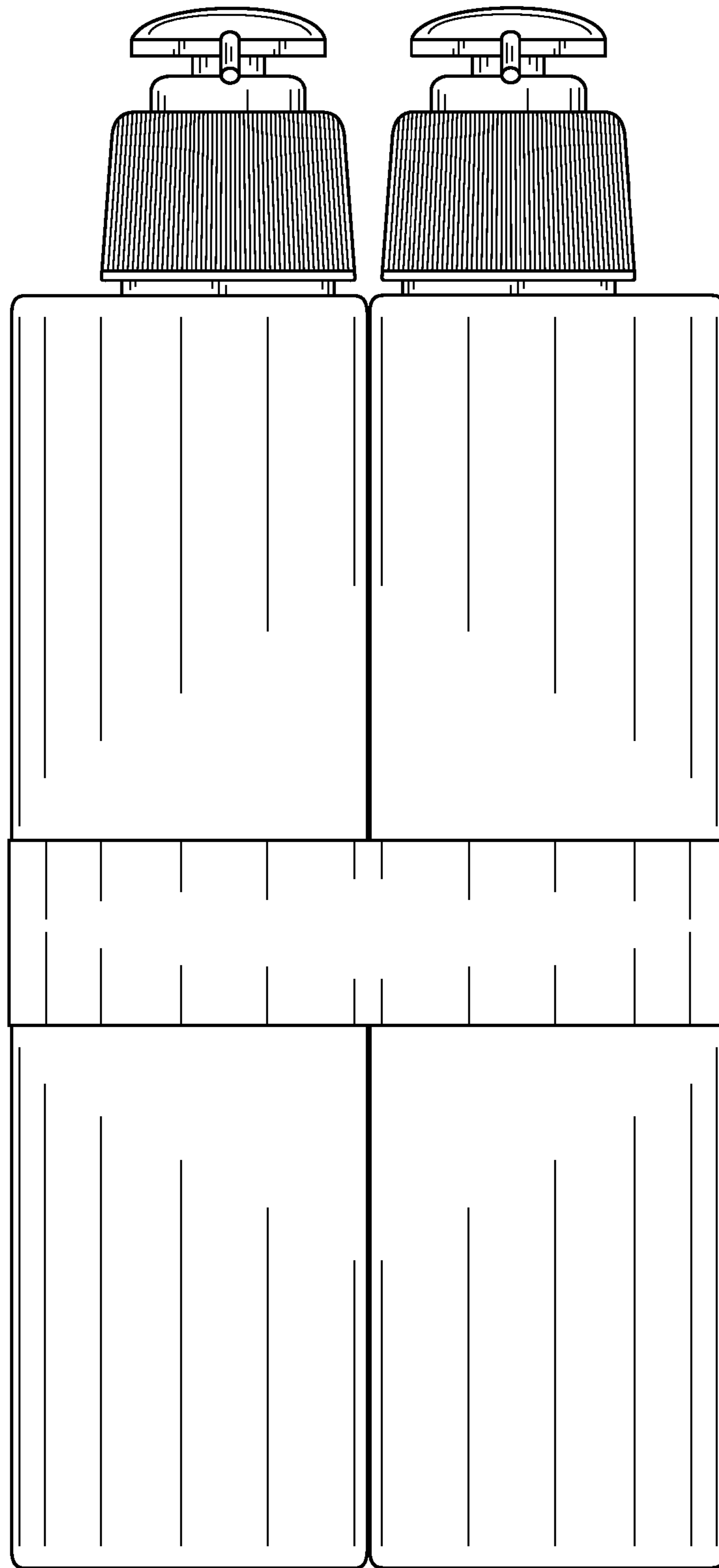


FIG. 5

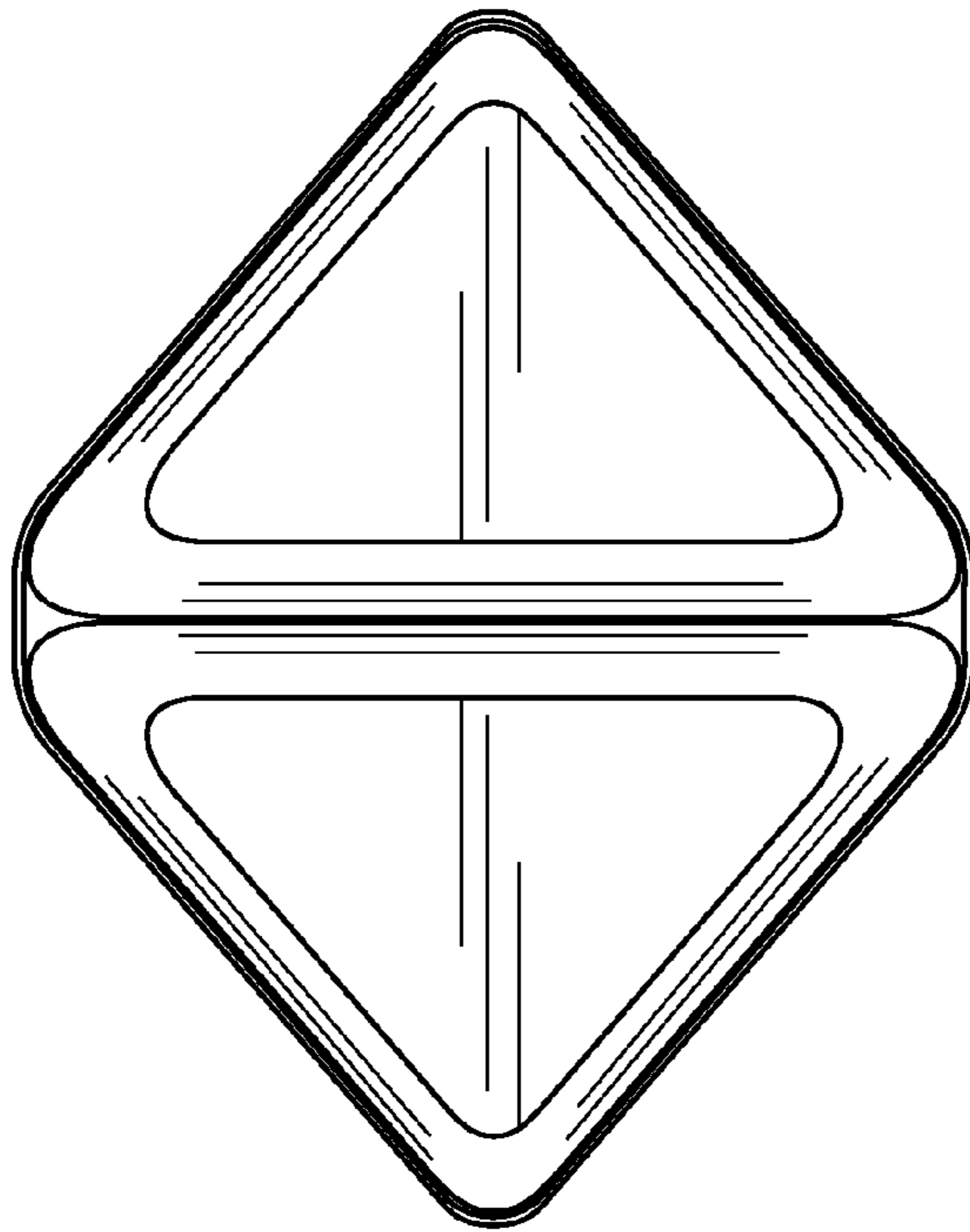


FIG. 6

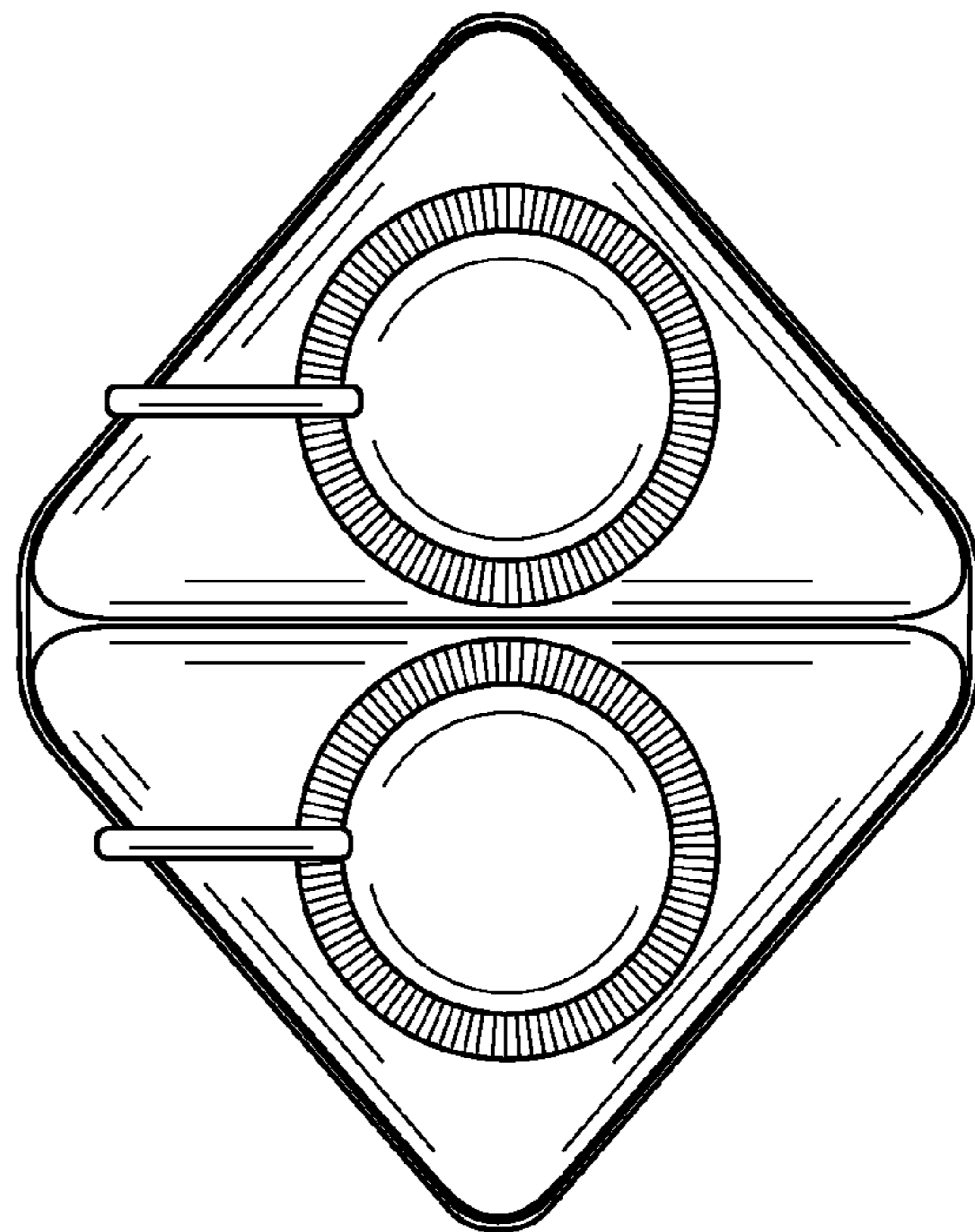


FIG. 7



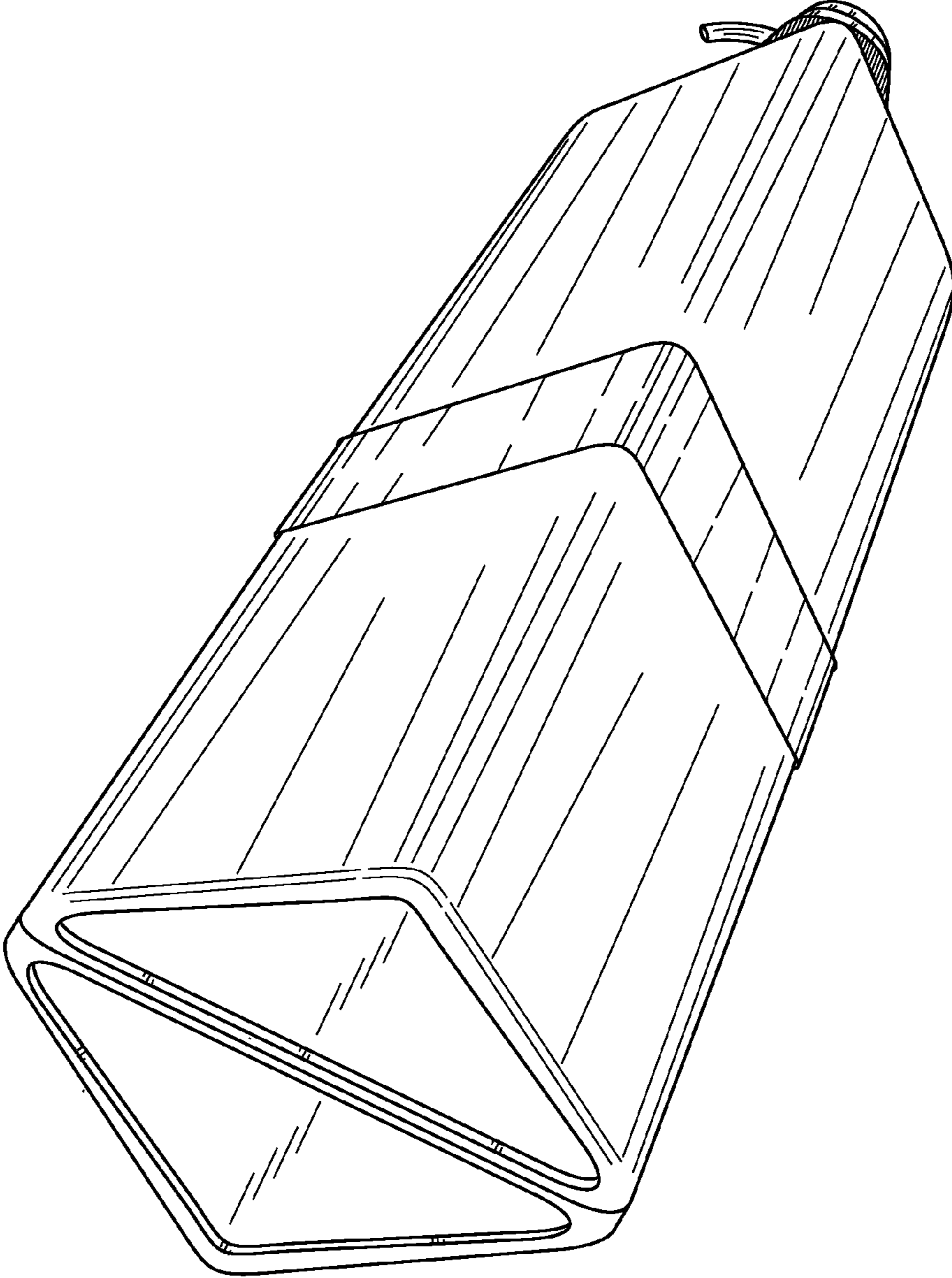


FIG. 8



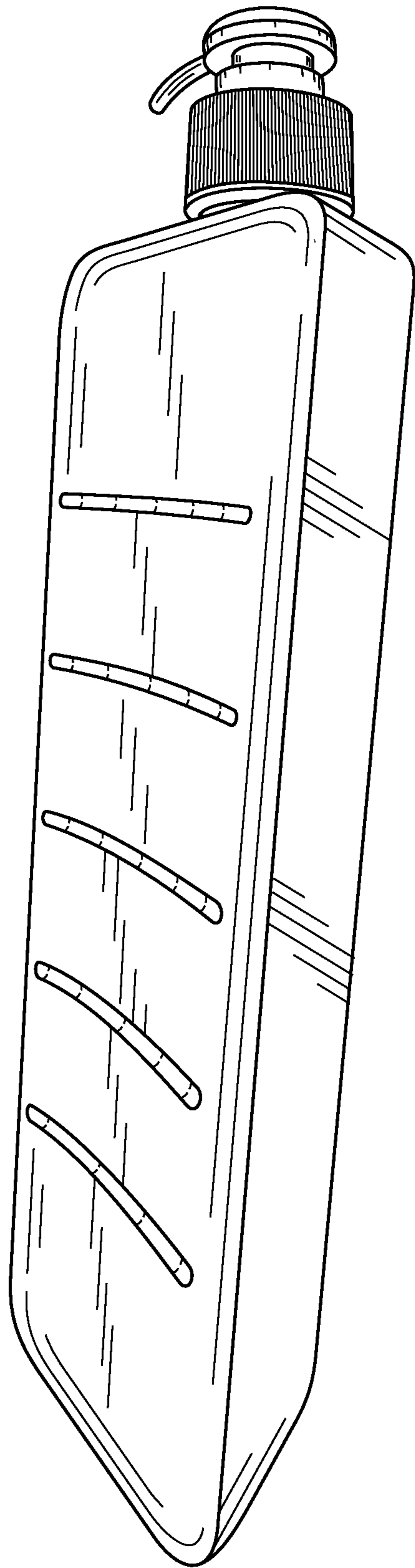


FIG. 9

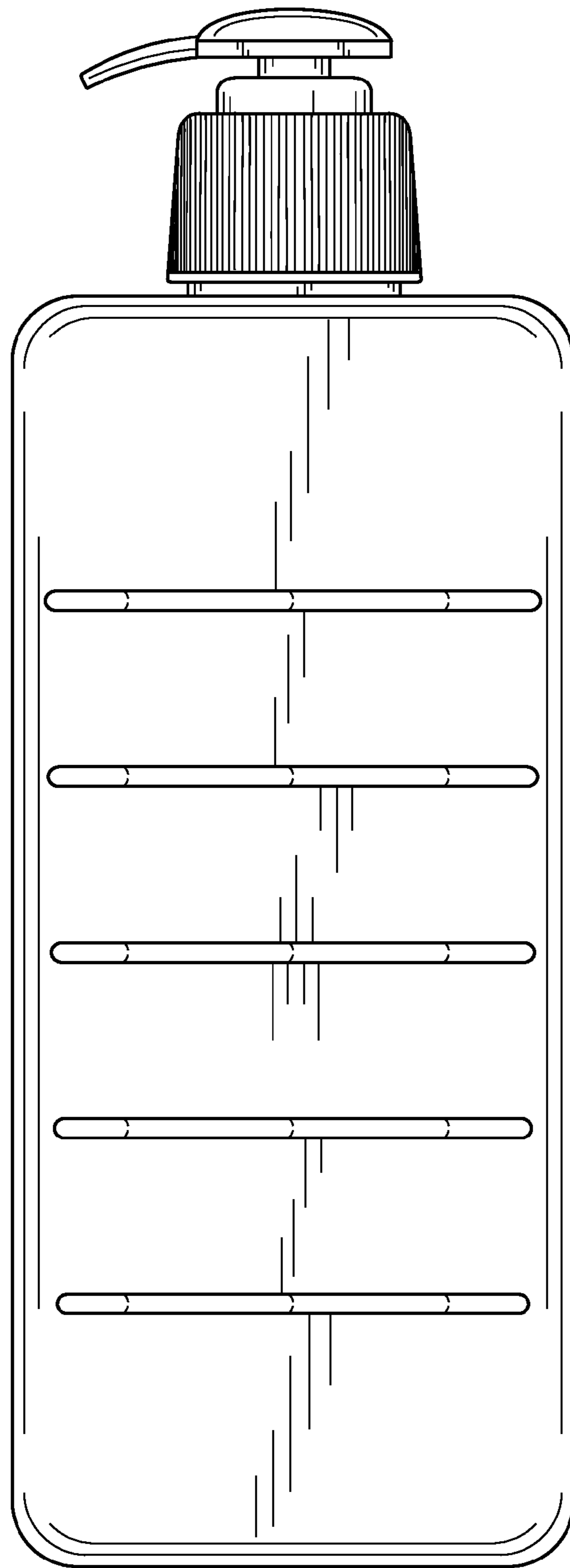


FIG. 10

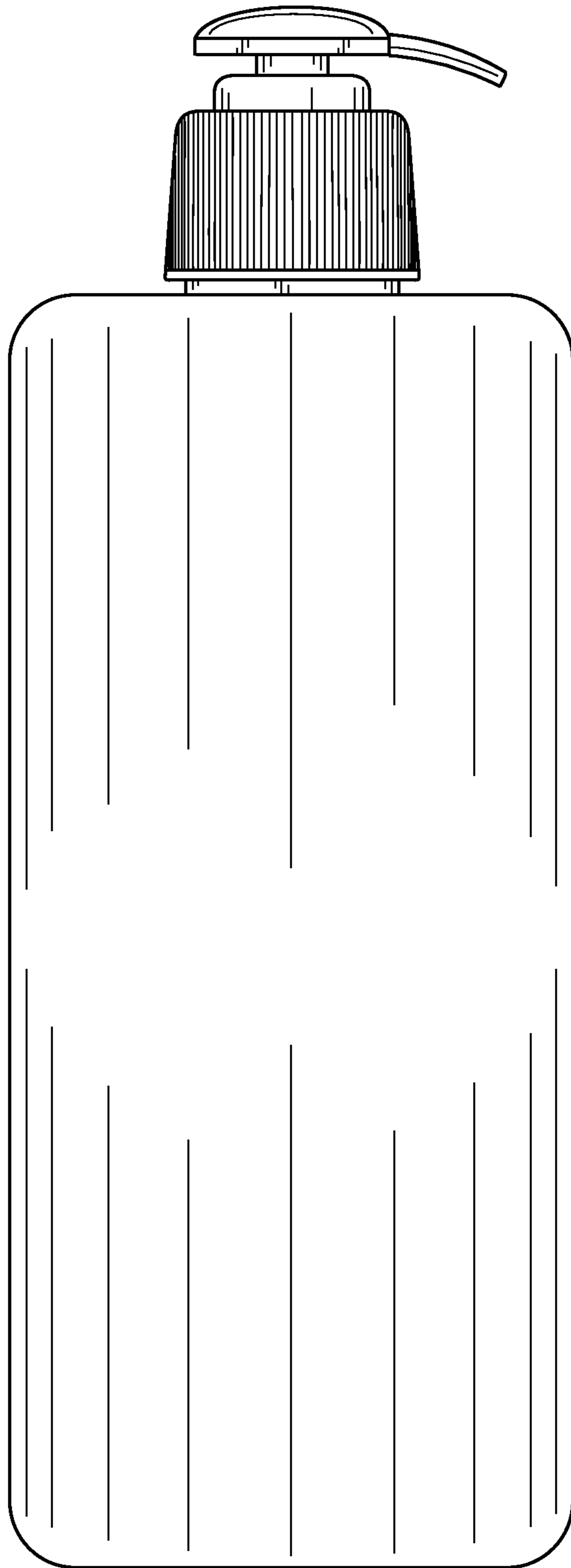


FIG. 11

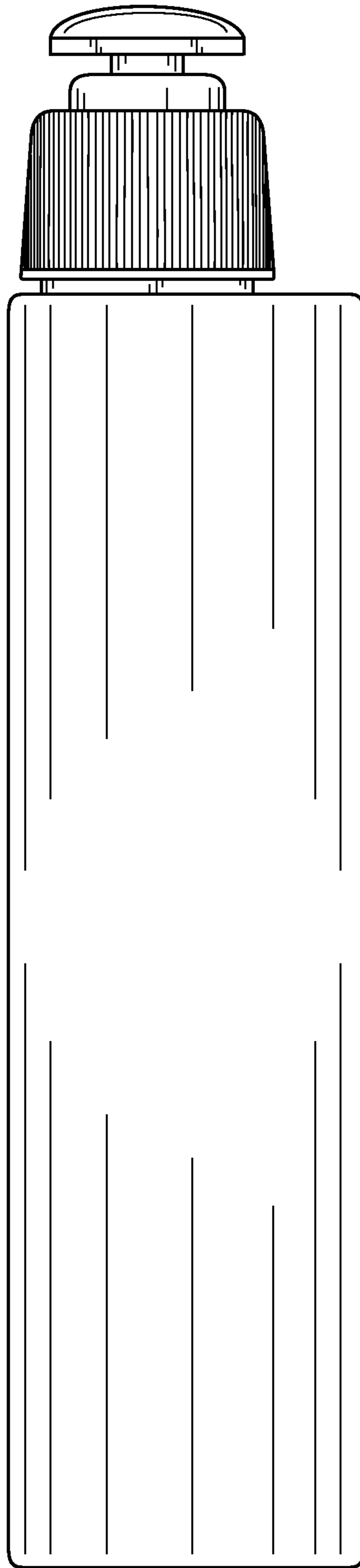


FIG. 12

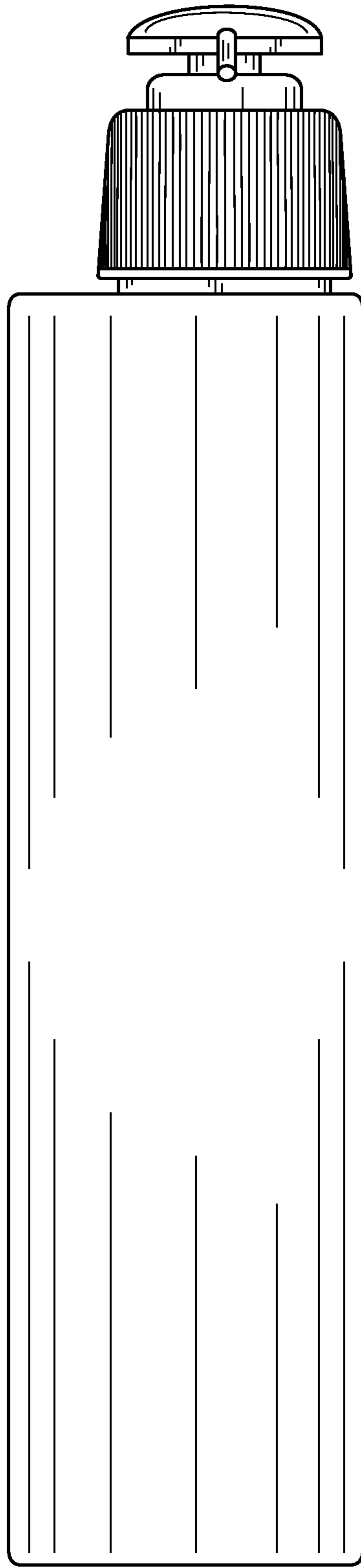


FIG. 13

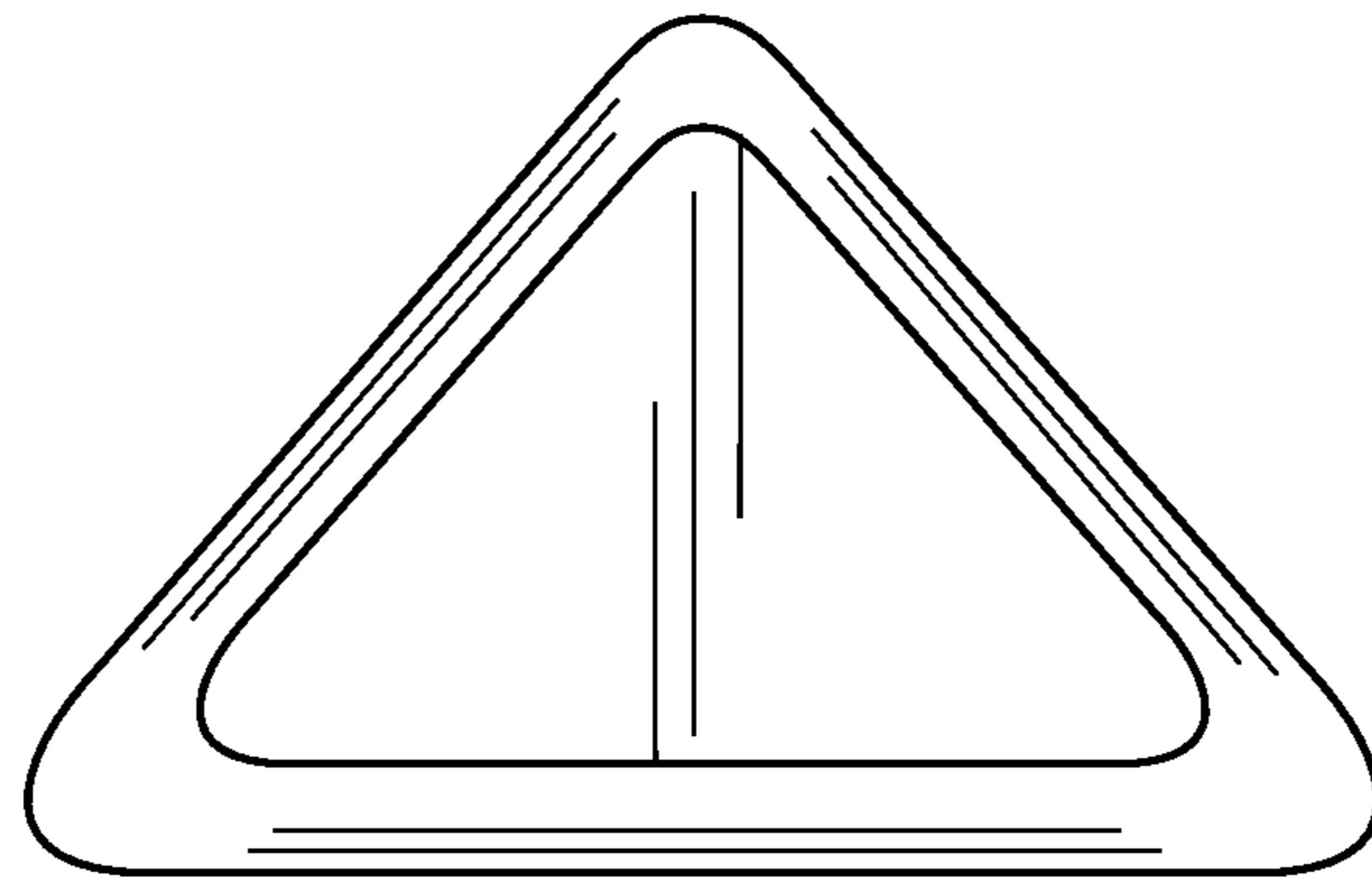


FIG. 14

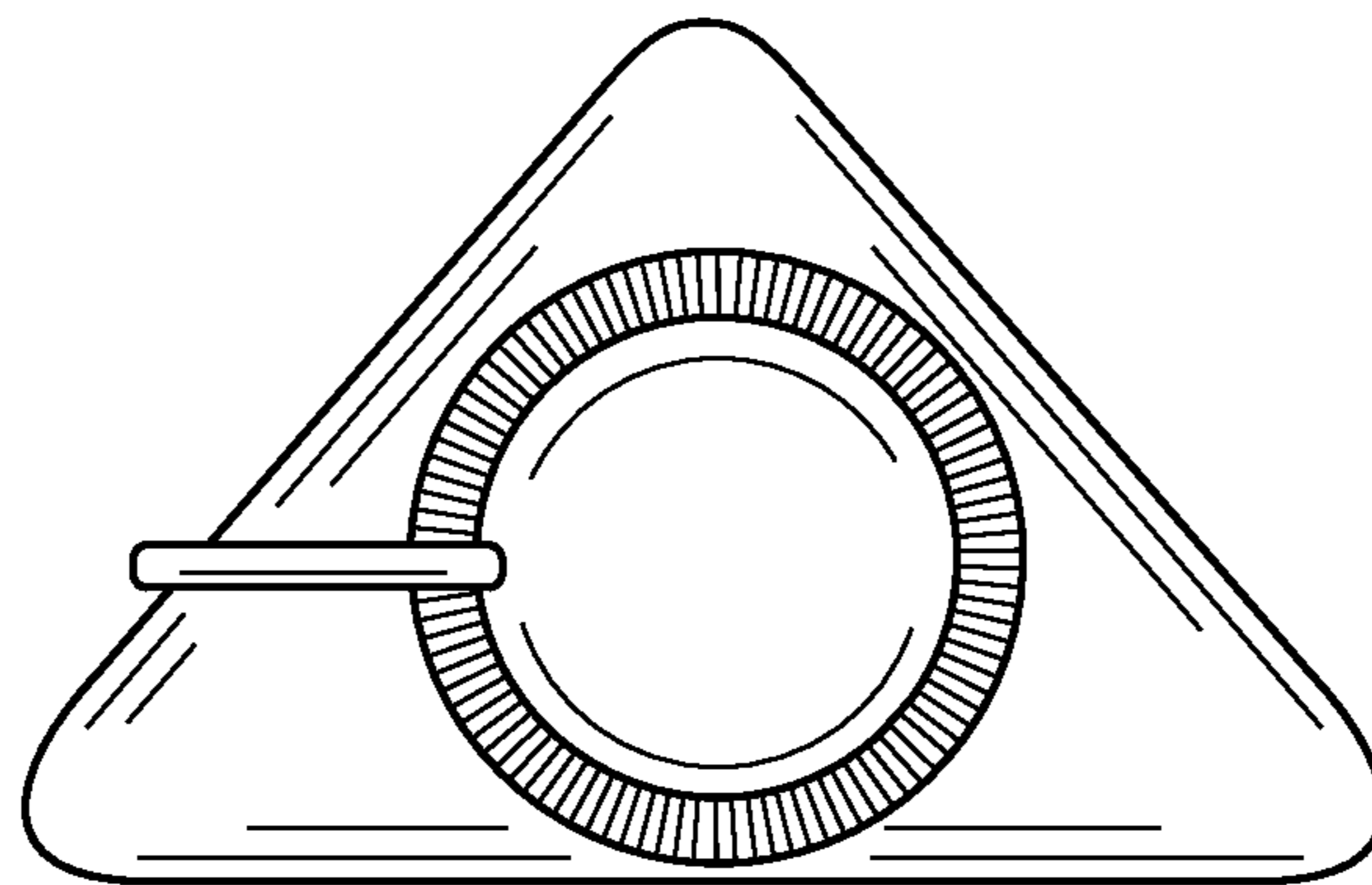


FIG. 15

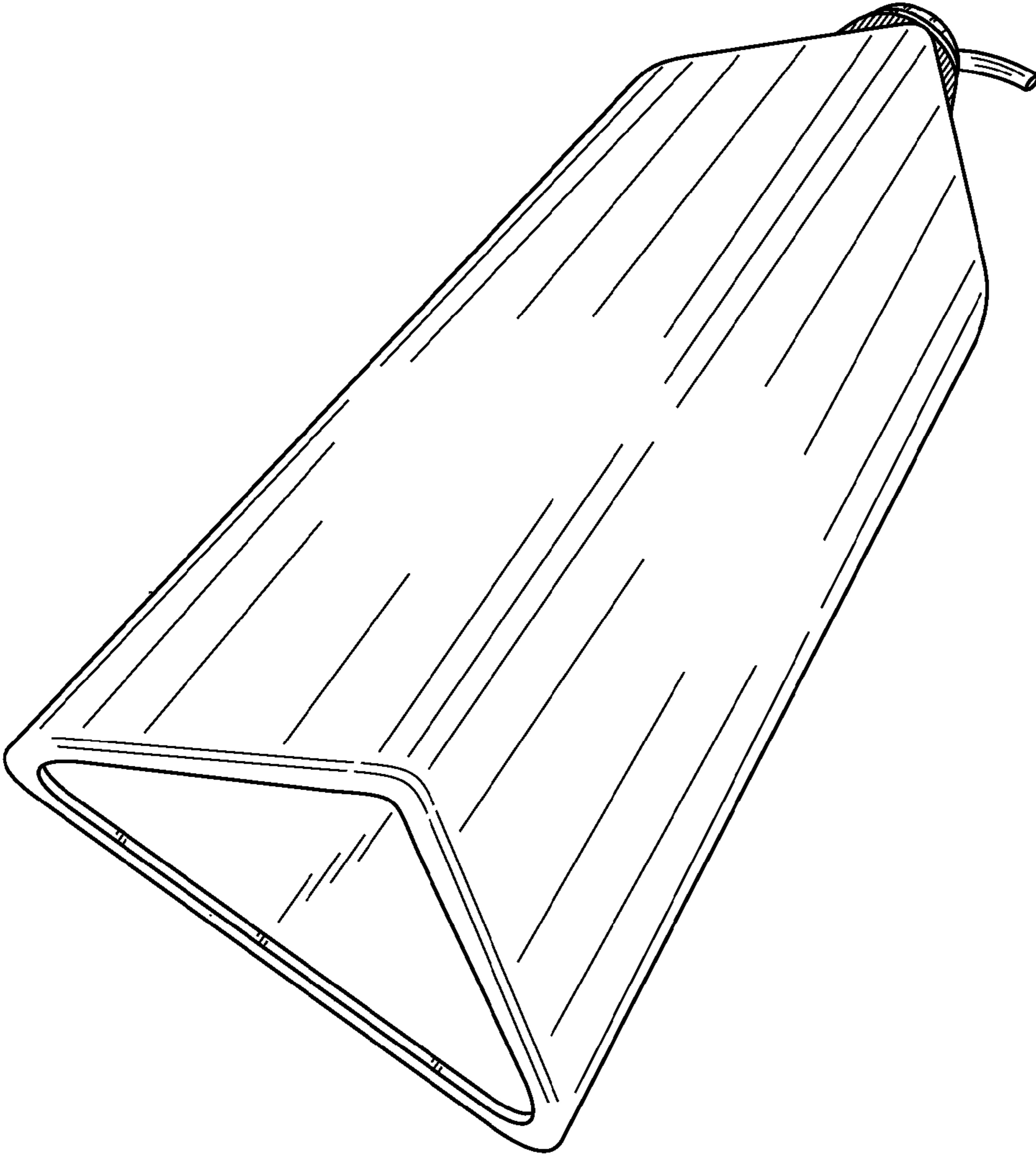


FIG. 16