



US00D695128S

(12) **United States Design Patent**
Özsinmaz

(10) **Patent No.:** **US D695,128 S**

(45) **Date of Patent:** **** Dec. 10, 2013**

(54) **CONTAINER**

(56) **References Cited**

(76) **Inventor:** **Muhammed Özsinmaz**, Albershausen
(DE)

(**) **Term:** **14 Years**

(21) **Appl. No.:** **29/424,983**

(22) **Filed:** **Jun. 19, 2012**

(30) **Foreign Application Priority Data**

Jul. 18, 2011 (EM) 001892944-0001

(51) **LOC (9) Cl.** **09-01**

(52) **U.S. Cl.**
USPC **D9/668; D21/681**

(58) **Field of Classification Search**
USPC D9/600, 668; 206/457, 527; 215/400;
220/890; D3/270-271.1; D7/514-515,
D7/604, 606, 613, 702; 482/106-108;
D21/681-682

See application file for complete search history.

U.S. PATENT DOCUMENTS

1,991,520 A *	2/1935	Postl	482/108
5,203,753 A *	4/1993	Rothhammer	482/106
D465,151 S *	11/2002	Mixon	D9/668
D489,001 S *	4/2004	Martin	D9/668
D578,172 S *	10/2008	Schiff	D21/681
D584,161 S *	1/2009	Barker	D9/668
D596,492 S *	7/2009	Safdieh	D9/668
D609,526 S *	2/2010	Tuttle	D7/515
D650,289 S *	12/2011	Bosiljevac et al.	D9/668

* cited by examiner

Primary Examiner — Sandra Morris

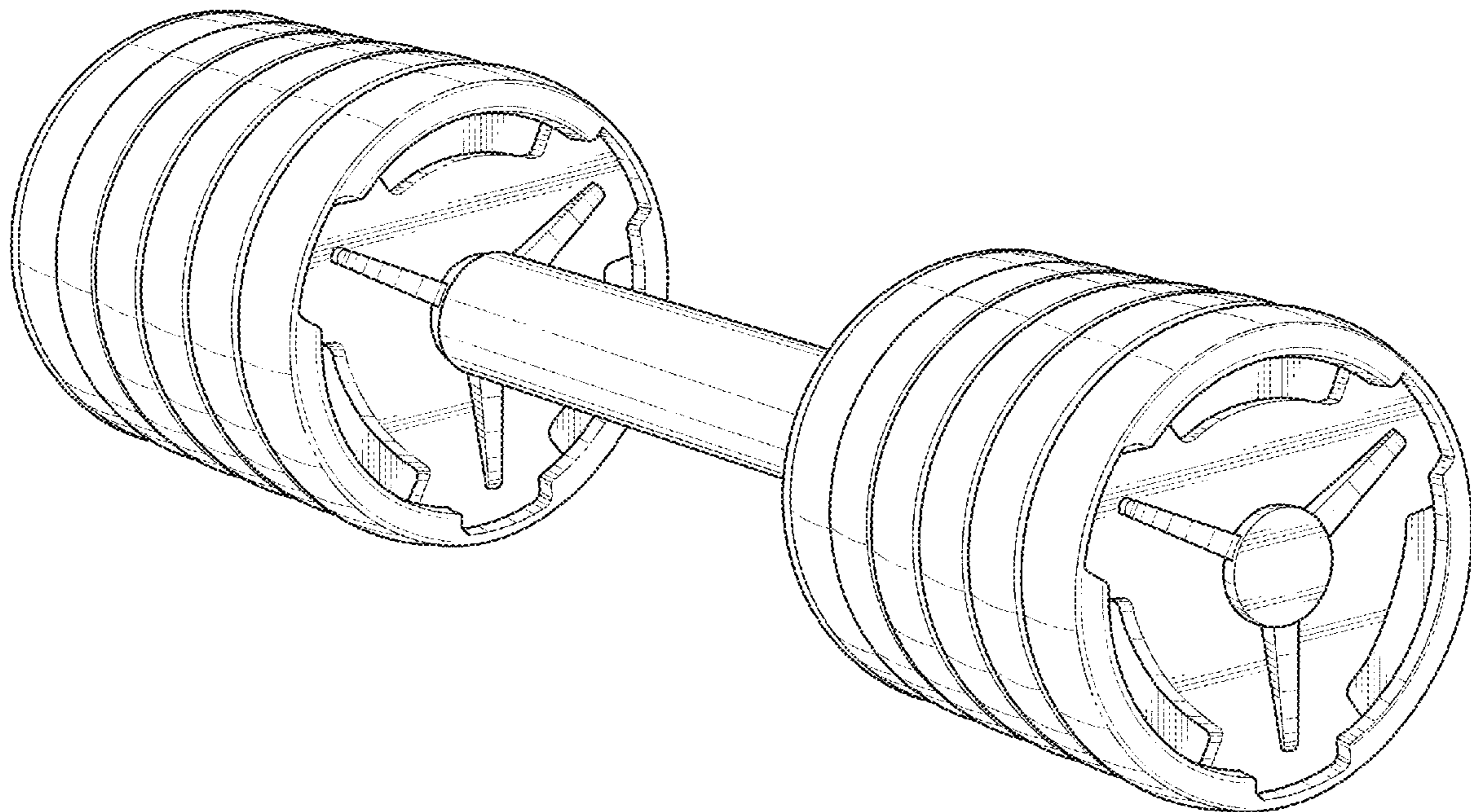
(57) **CLAIM**

The ornamental design for a container, as shown.

DESCRIPTION

FIG. 1 is an assembled perspective view of a container showing my new design;
FIG. 2 is an exploded view thereof;
FIG. 3 is a right side view thereof, the left side view being a mirror image thereof; and,
FIG. 4 is a front view of the container, the rear side view being a mirror image thereof.

1 Claim, 3 Drawing Sheets



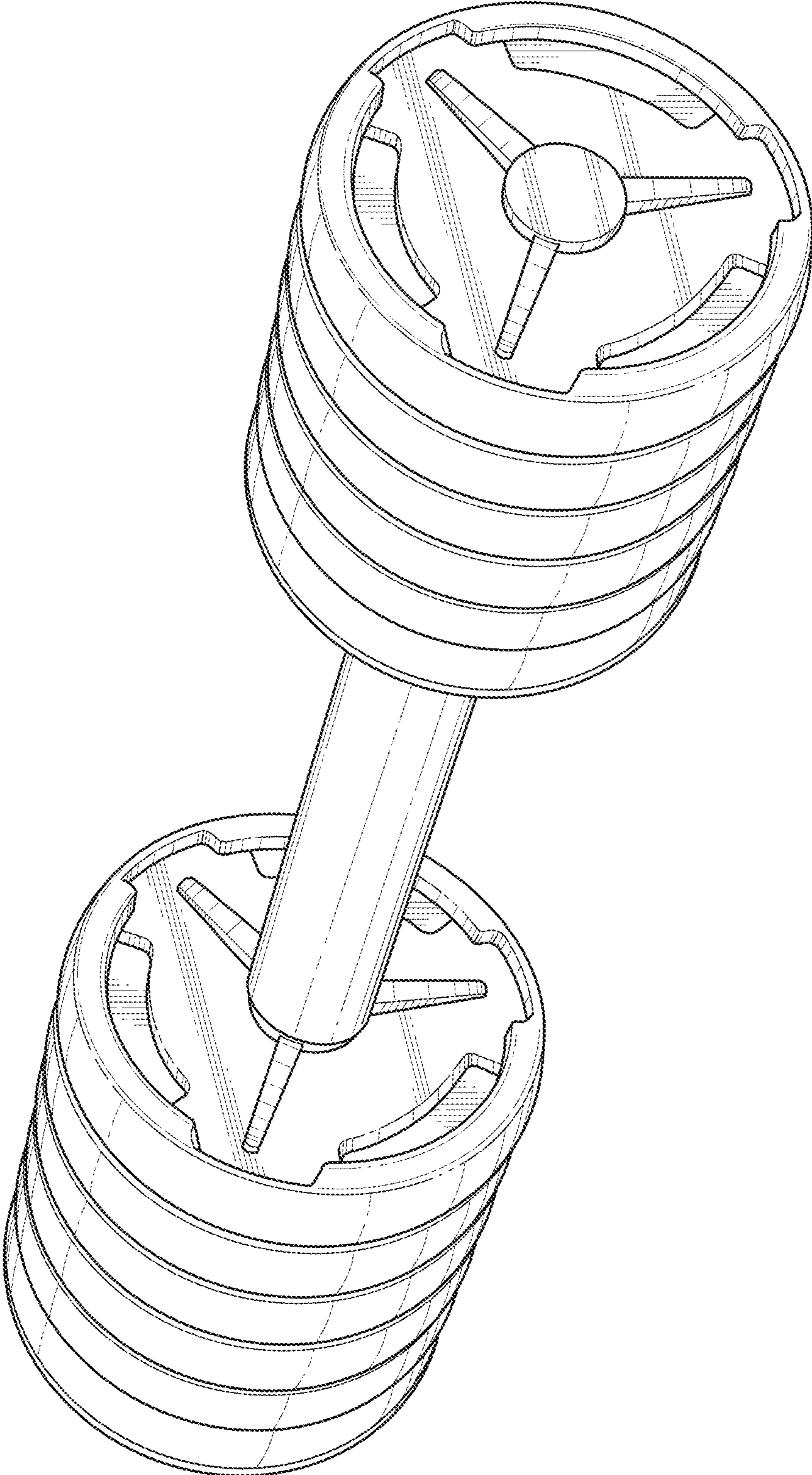


FIG. 1

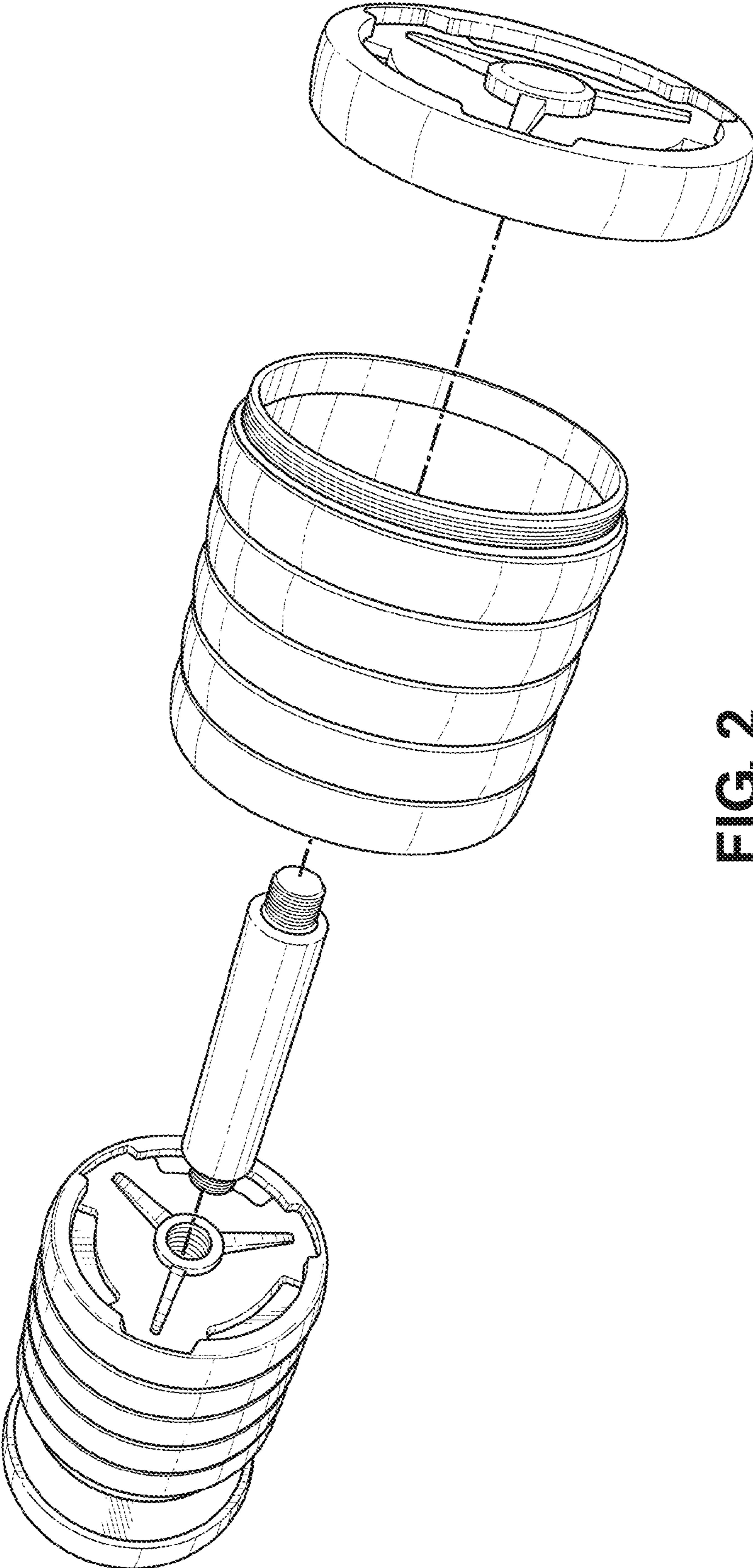


FIG. 2

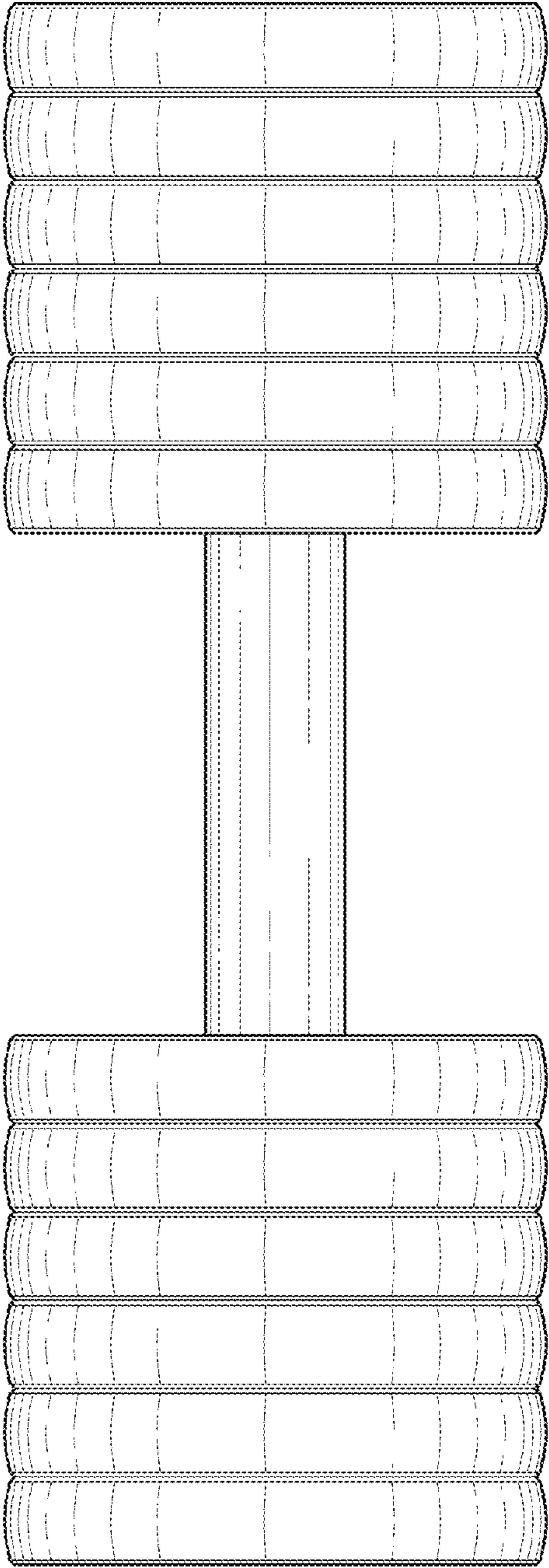


FIG. 3

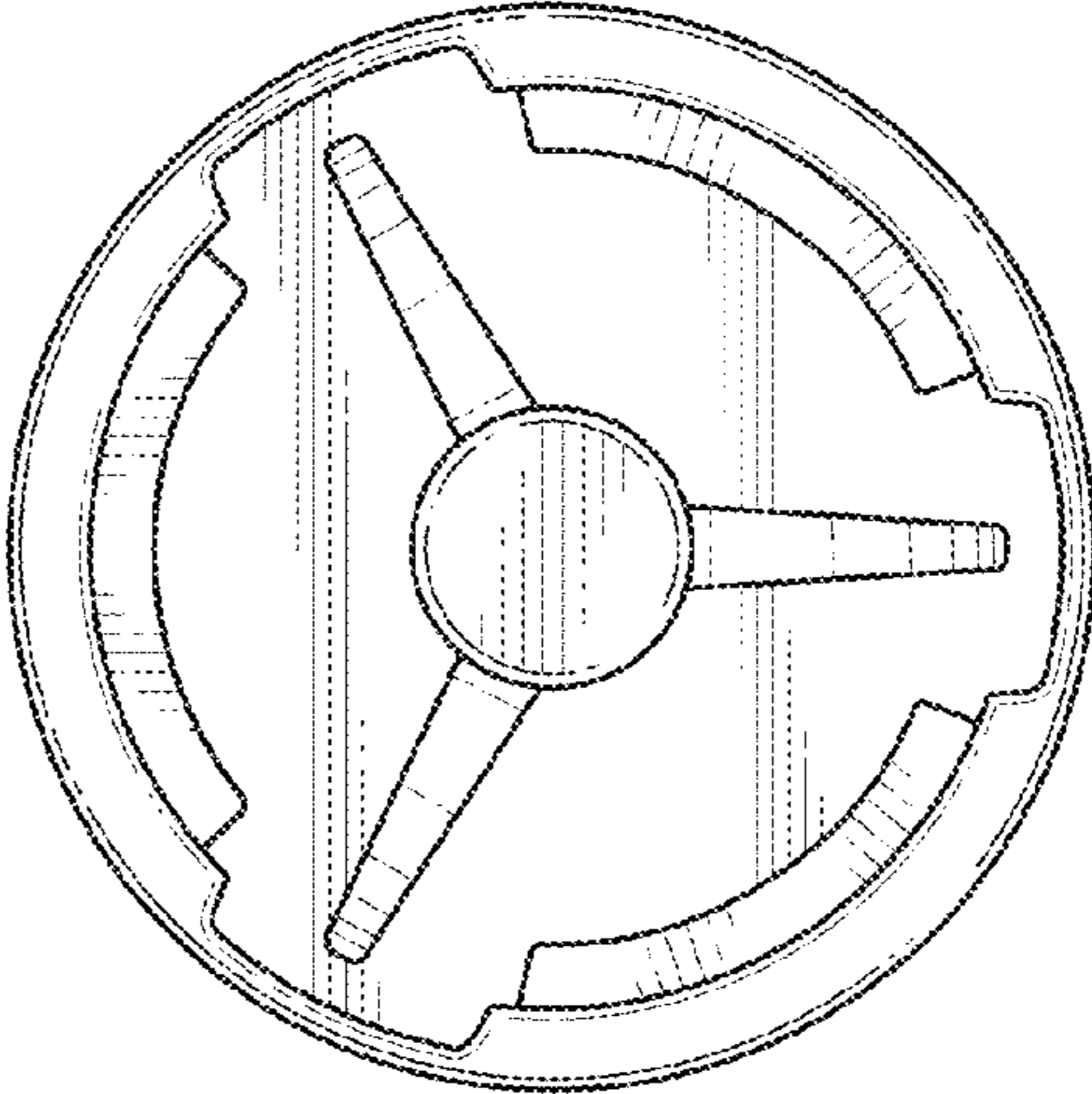


FIG. 4