



US00D695121S

(12) **United States Design Patent**
Seo

(10) **Patent No.:** **US D695,121 S**

(45) **Date of Patent:** **** Dec. 10, 2013**

(54) **NAIL POLISH CONTAINER**

(75) **Inventor:** **Deok-Won Seo, Seoul (KR)**

(73) **Assignee:** **Weme International Co., Ltd., Seoul (KR)**

(**) **Term:** **14 Years**

(21) **Appl. No.:** **29/409,472**

(22) **Filed:** **Dec. 23, 2011**

(51) **LOC (9) Cl.** **09-01**

(52) **U.S. Cl.**
USPC **D9/561; D9/454**

(58) **Field of Classification Search**
USPC D9/682, 687, 694, 723, 724, 725, 516,
D9/529, 544, 546, 549, 559-561, 572-575,
D9/435, 444-445, 454; 215/381-385;
D4/114, 116
See application file for complete search history.

(56) **References Cited**

U.S. PATENT DOCUMENTS

D85,067 S *	9/1931	Sterrett	D9/561
D98,119 S *	1/1936	Steckler	D9/600
D115,068 S *	5/1939	Jensen	D9/561
D208,885 S *	10/1967	Roehrich	D9/503
D253,032 S *	10/1979	White	D9/561 X
D330,859 S *	11/1992	Schaeffer	D9/503
D331,697 S *	12/1992	Desgrippes	D4/116
D422,219 S *	4/2000	Gobe	D9/503
D425,794 S *	5/2000	Grossnickle	D9/574 X
6,176,631 B1 *	1/2001	Gueret	401/129
D468,209 S *	1/2003	Joubert	D9/529
D468,626 S *	1/2003	Jødal et al.	D9/516 X

D469,356 S *	1/2003	Vo	D9/549 X
D480,647 S *	10/2003	Crawford	D9/503 X
D498,675 S *	11/2004	Crawford	D9/549 X
D505,863 S *	6/2005	Crawford	D9/520
D535,104 S *	1/2007	Chen	D4/116
D535,105 S *	1/2007	Chen	D4/116
D547,193 S *	7/2007	Blasko et al.	D9/529
D556,040 S *	11/2007	Kawashima et al.	D9/454 X
D558,579 S *	1/2008	Blasko et al.	D9/529
D611,354 S *	3/2010	Usui et al.	D9/444 X
D626,421 S *	11/2010	Szymula	D9/559
D627,657 S *	11/2010	Vogler	D9/544
D659,005 S *	5/2012	McCoy	D9/454 X
2004/0202502 A1 *	10/2004	Gueret	401/129

* cited by examiner

Primary Examiner — Carol P Rademaker

(74) *Attorney, Agent, or Firm* — Maxon IP LLC.; Justin H. Kim

(57) **CLAIM**

The ornamental design for a nail polish container, as shown and described.

DESCRIPTION

FIG. 1 is a perspective view of a nail polish container;
FIG. 2 is a front view thereof;
FIG. 3 is a back view thereof;
FIG. 4 is a left-side view thereof;
FIG. 5 is a right-side view thereof;
FIG. 6 is a top view thereof; and,
FIG. 7 is a bottom view thereof.

The broken lines shown on the bottom surface are included for the purpose of illustrating environmental structure and form no part of the claimed design.

1 Claim, 6 Drawing Sheets

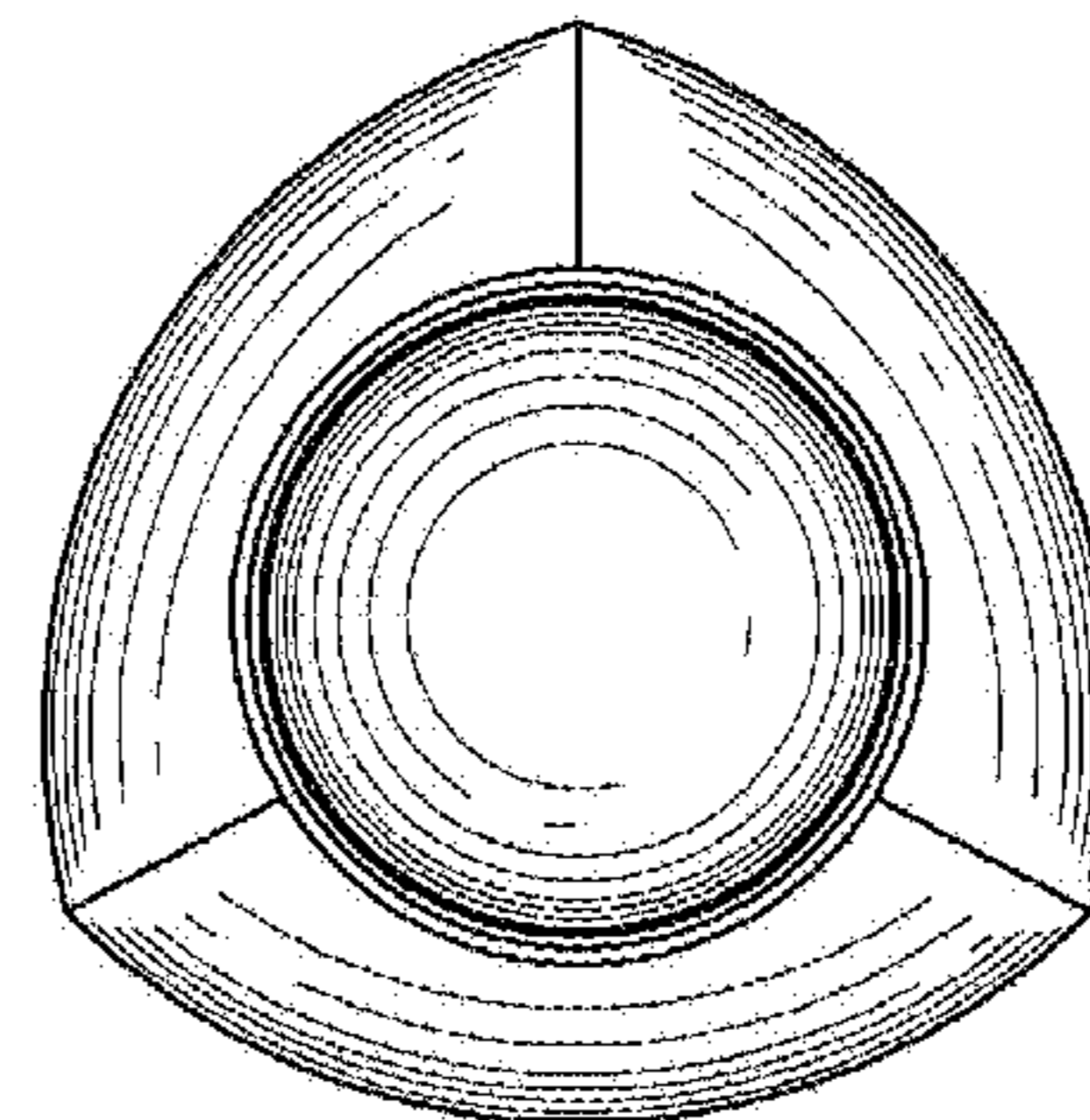
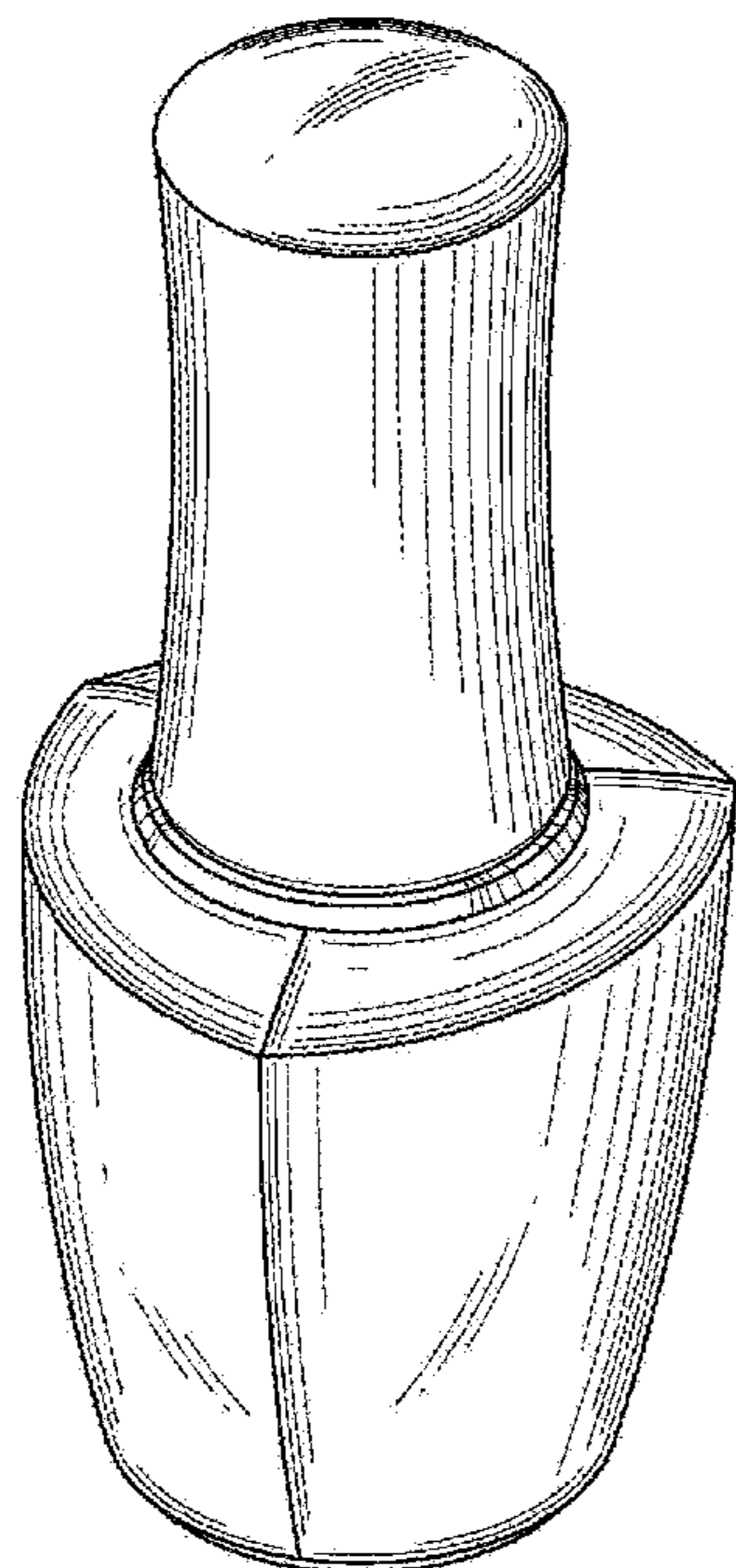


FIG. 1

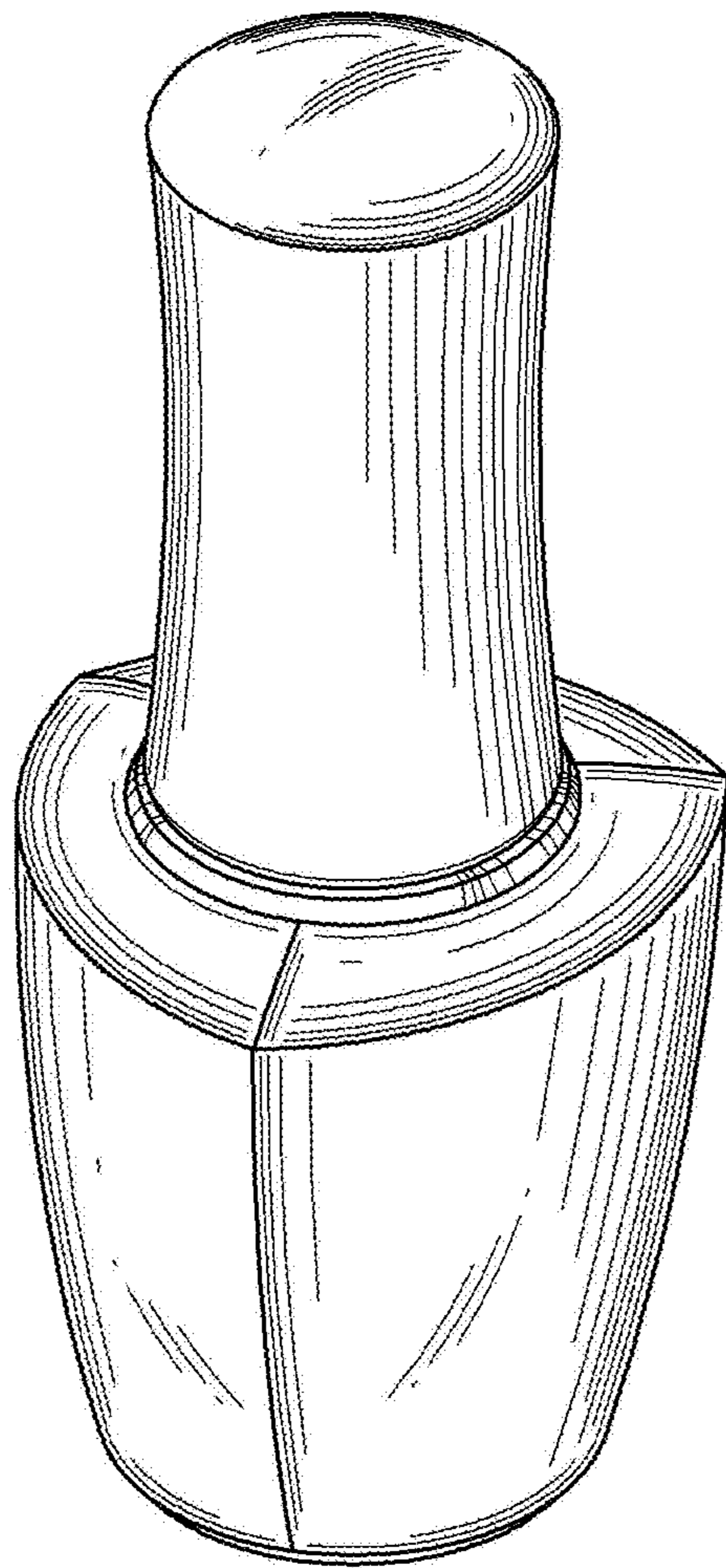


FIG. 2

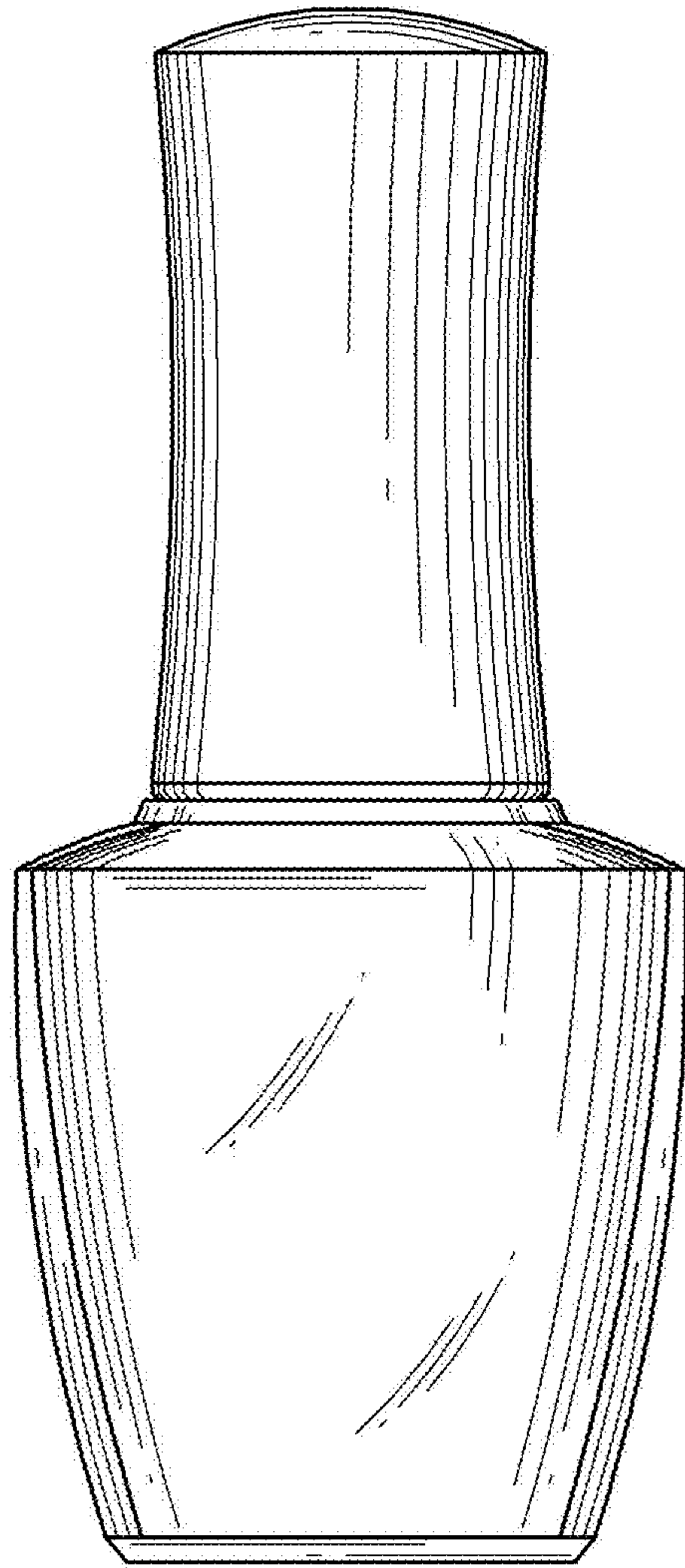


FIG. 3

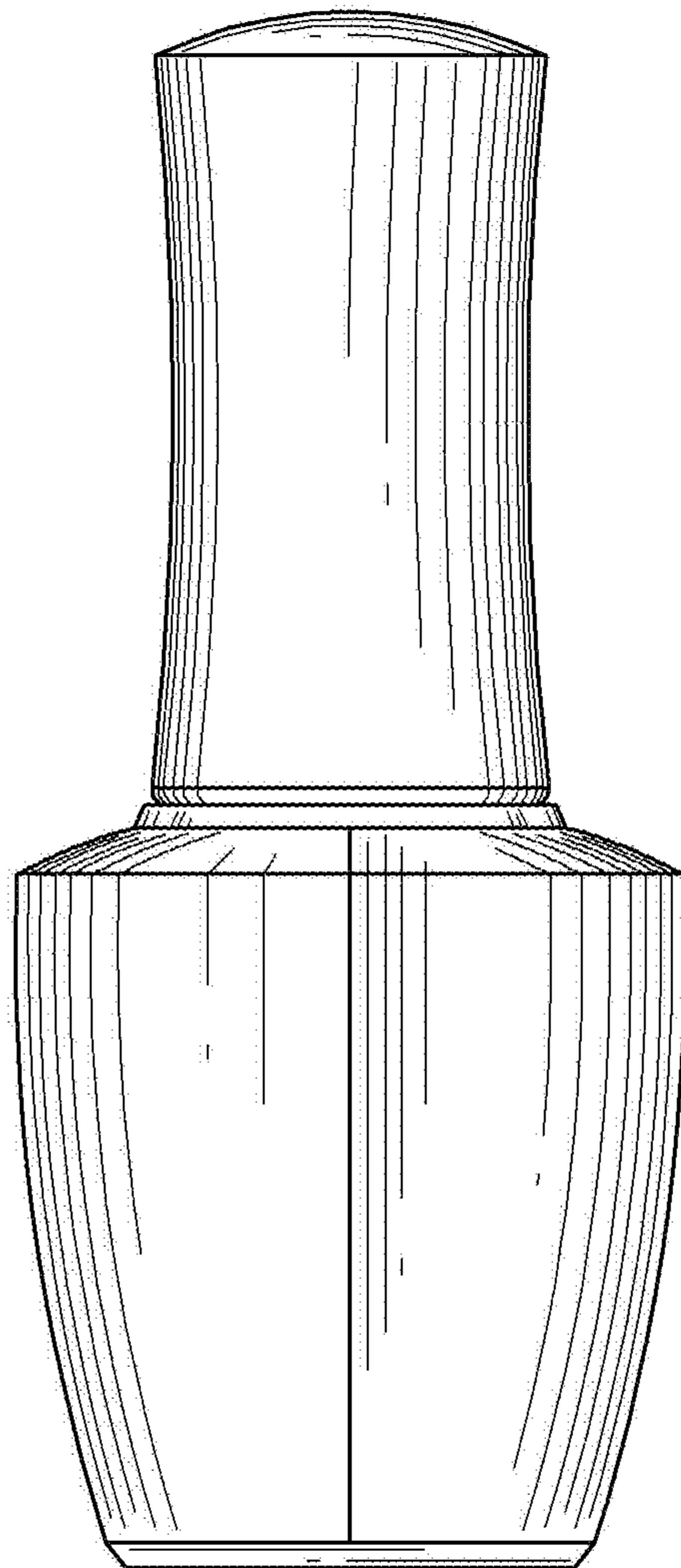


FIG. 4

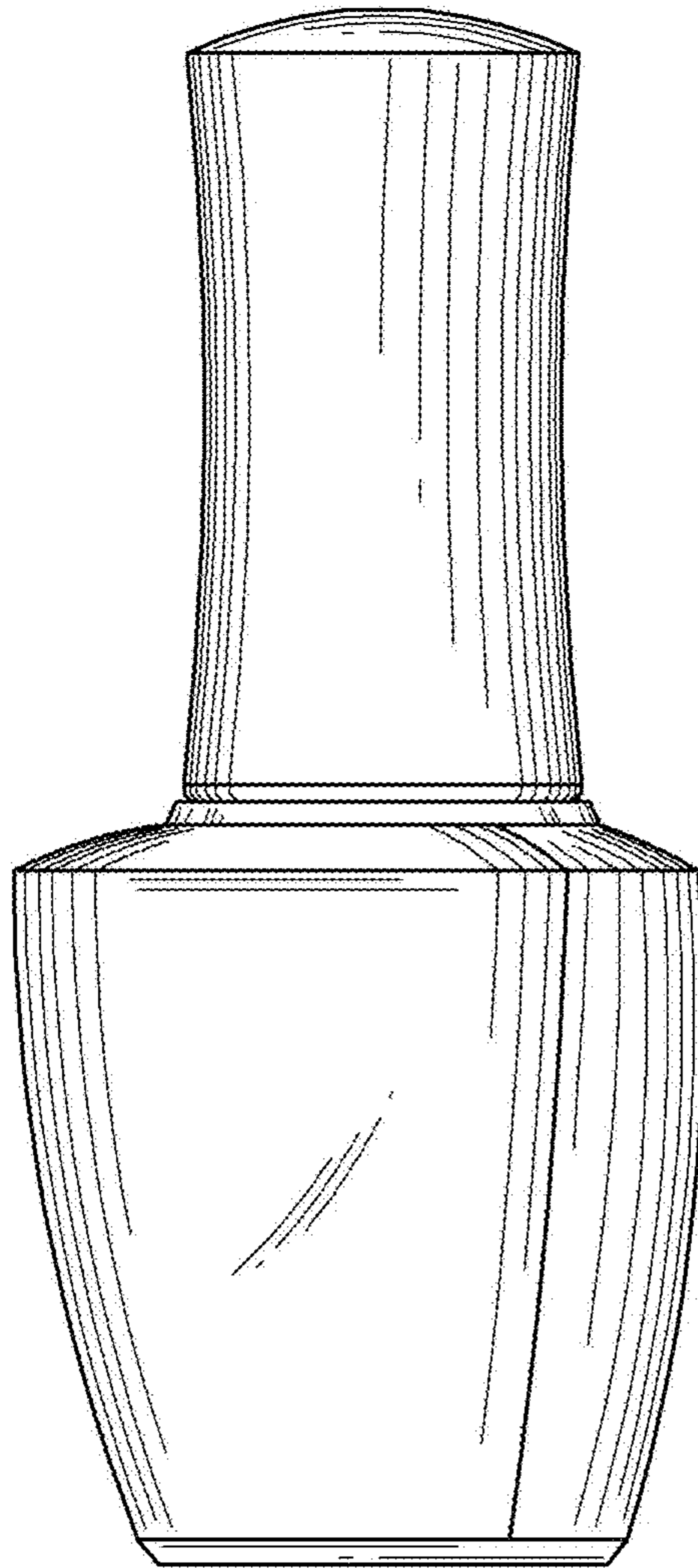


FIG. 5

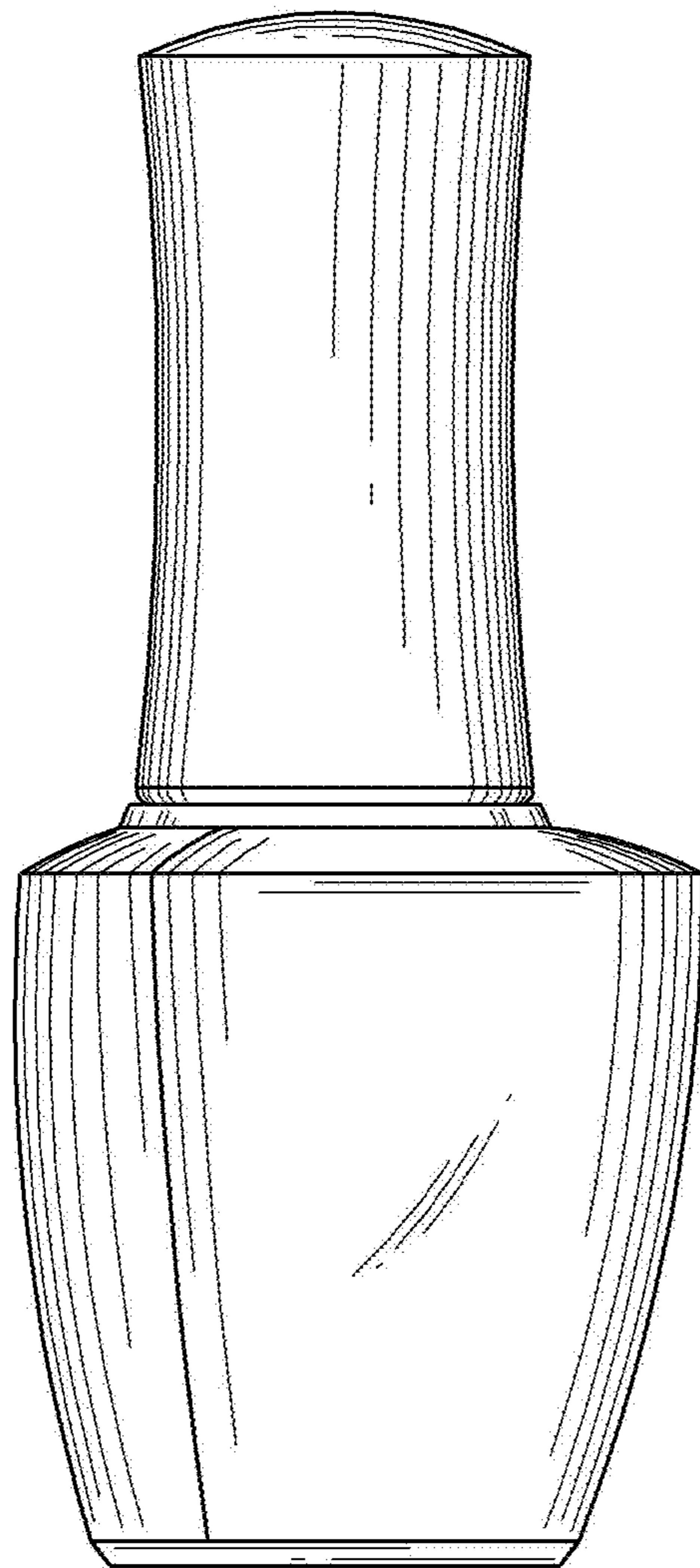


FIG. 6

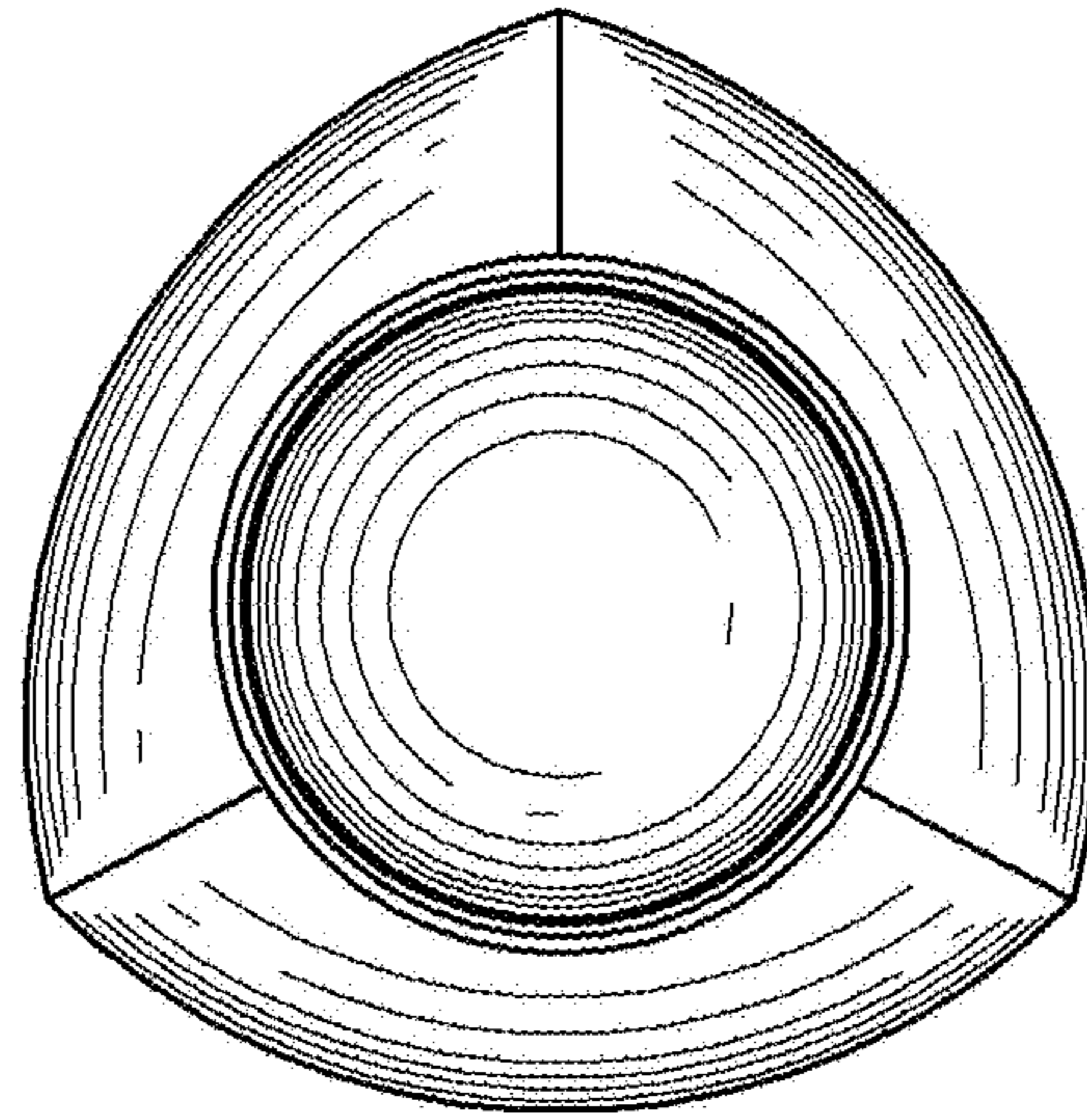


FIG. 7

