



US00D695118S

(12) **United States Design Patent**
Ko et al.

(10) **Patent No.:** **US D695,118 S**

(45) **Date of Patent:** **** Dec. 10, 2013**

(54) **BOTTLE**

(71) Applicant: **Hair O'Right International Corporation**, Taoyuan County (TW)

(72) Inventors: **Wang-Ping Ko**, Taoyuan County (TW); **Shiue-Chiau Liu**, Taoyuan County (TW); **Kuei-Jen Chang**, Taoyuan County (TW)

(73) Assignee: **Hair O'Right International Corporation**, Taoyuan County (TW)

(**) Term: **14 Years**

(21) Appl. No.: **29/436,625**

(22) Filed: **Nov. 7, 2012**

(51) **LOC (9) Cl.** **09-01**

(52) **U.S. Cl.**
USPC **D9/503; D9/505**

(58) **Field of Classification Search**
USPC D9/500, 503-505, 516, 544-545, 549, D9/558, 682, 686, 688-691, 439, 454; D7/598; 215/379, 382; 220/660, 662, 220/669-673, 675

See application file for complete search history.

(56) **References Cited**

U.S. PATENT DOCUMENTS

D268,988 S *	5/1983	Hirsh	D9/504
D326,811 S *	6/1992	Messer	D9/500
D449,531 S *	10/2001	Cooley	D9/500
D567,102 S *	4/2008	Rhoden	D9/638
D658,997 S *	5/2012	Potts	D9/500
D668,955 S *	10/2012	Zuchetta	D9/500
D675,098 S *	1/2013	Gonzalez Rodriguez	D9/500
D679,187 S *	4/2013	Zuchetta	D9/500
D679,188 S *	4/2013	Zuchetta	D9/500

* cited by examiner

Primary Examiner — Ian Simmons

Assistant Examiner — Dana L Meyrow

(74) *Attorney, Agent, or Firm* — WPAT, P.C.; Anthony King

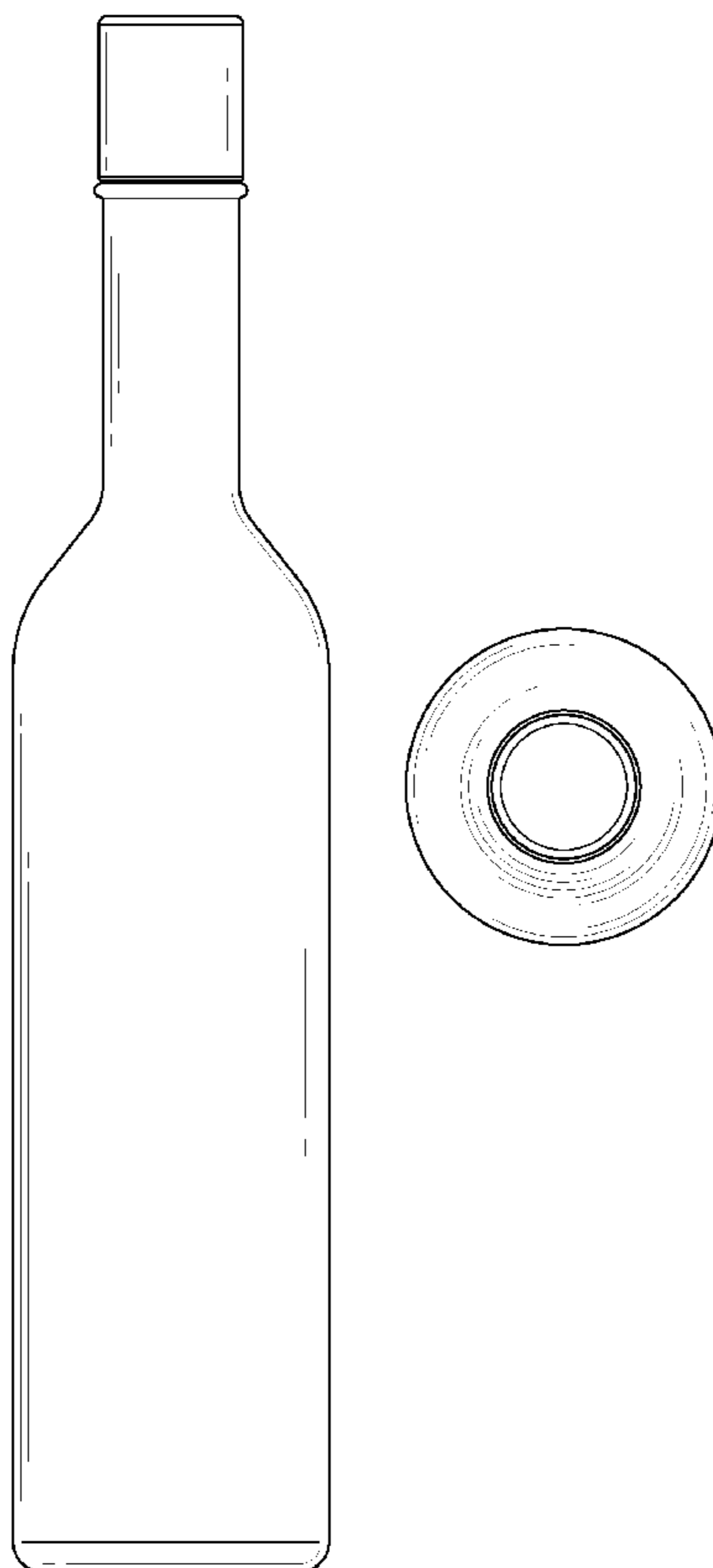
(57) **CLAIM**

The ornamental design for a bottle, as shown and described.

DESCRIPTION

FIG. 1 is a perspective view of a bottle showing my new design;
FIG. 2 is a front elevational view thereof;
FIG. 3 is a rear elevational view thereof;
FIG. 4 is a left side elevational view thereof;
FIG. 5 is a right side elevational view thereof;
FIG. 6 is a top plan view thereof; and,
FIG. 7 is a bottom plan view thereof.

1 Claim, 6 Drawing Sheets



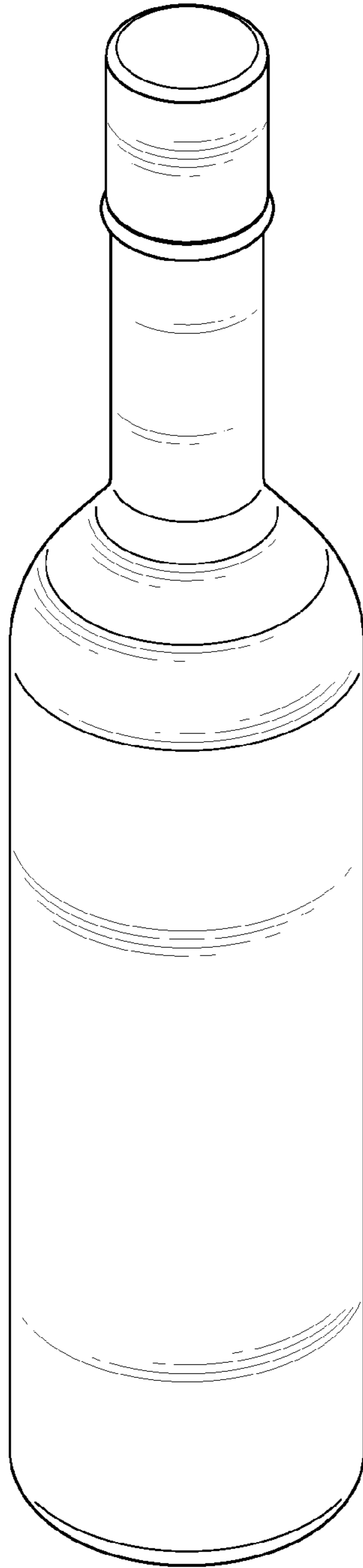


FIG. 1

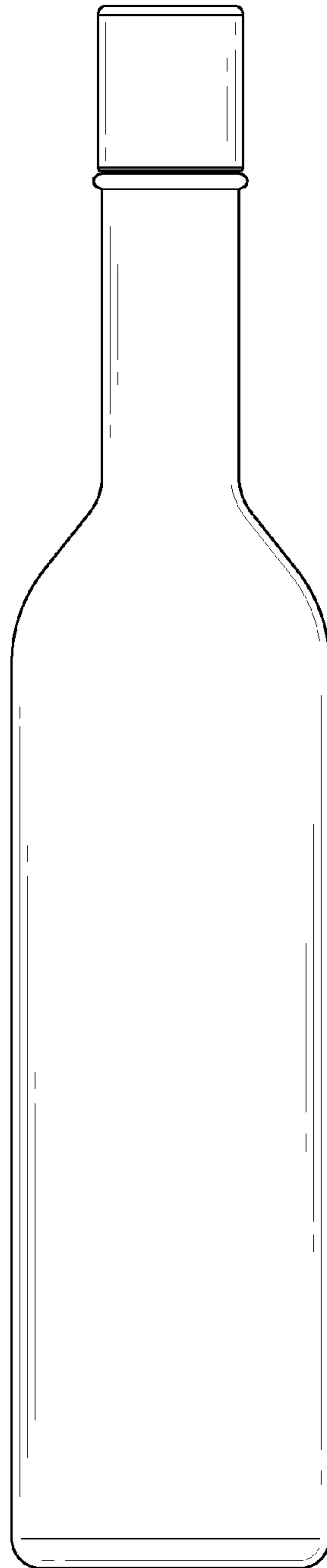


FIG. 2

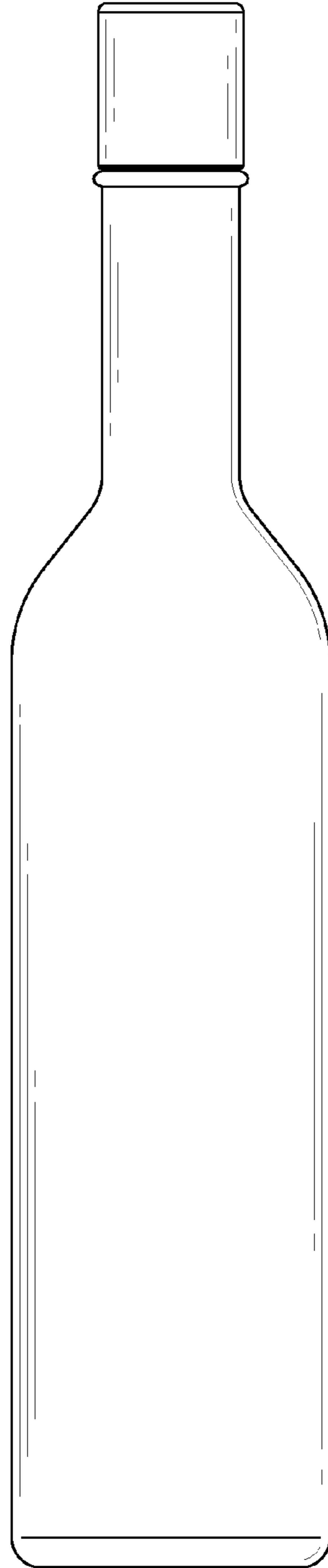


FIG. 3

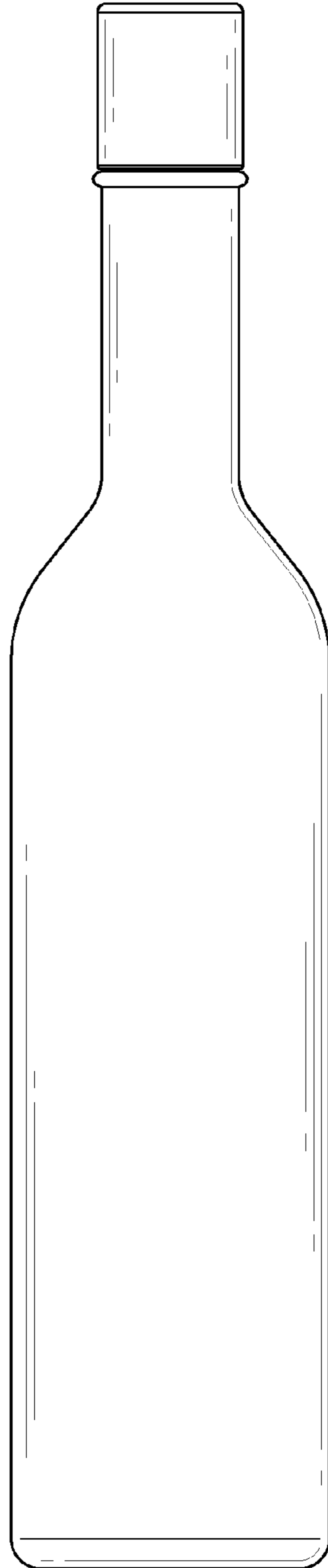


FIG. 4

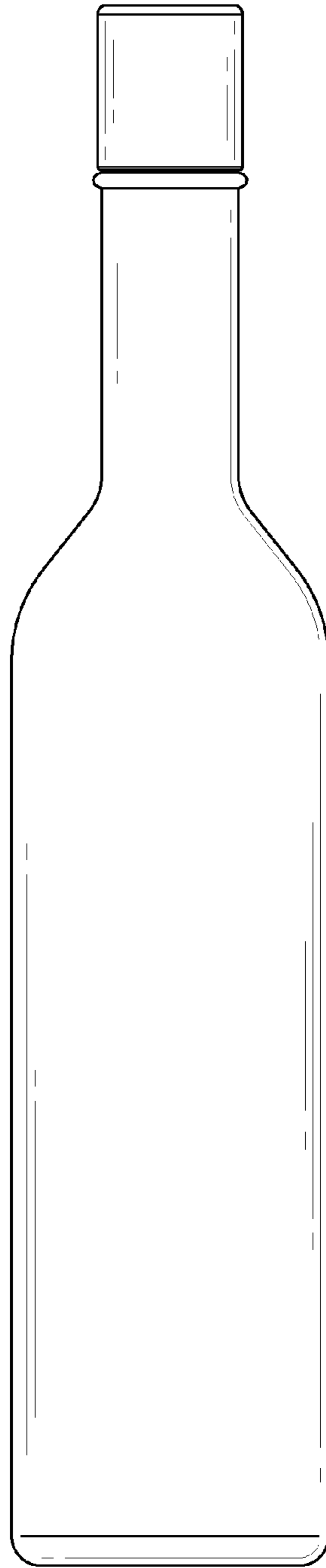


FIG. 5

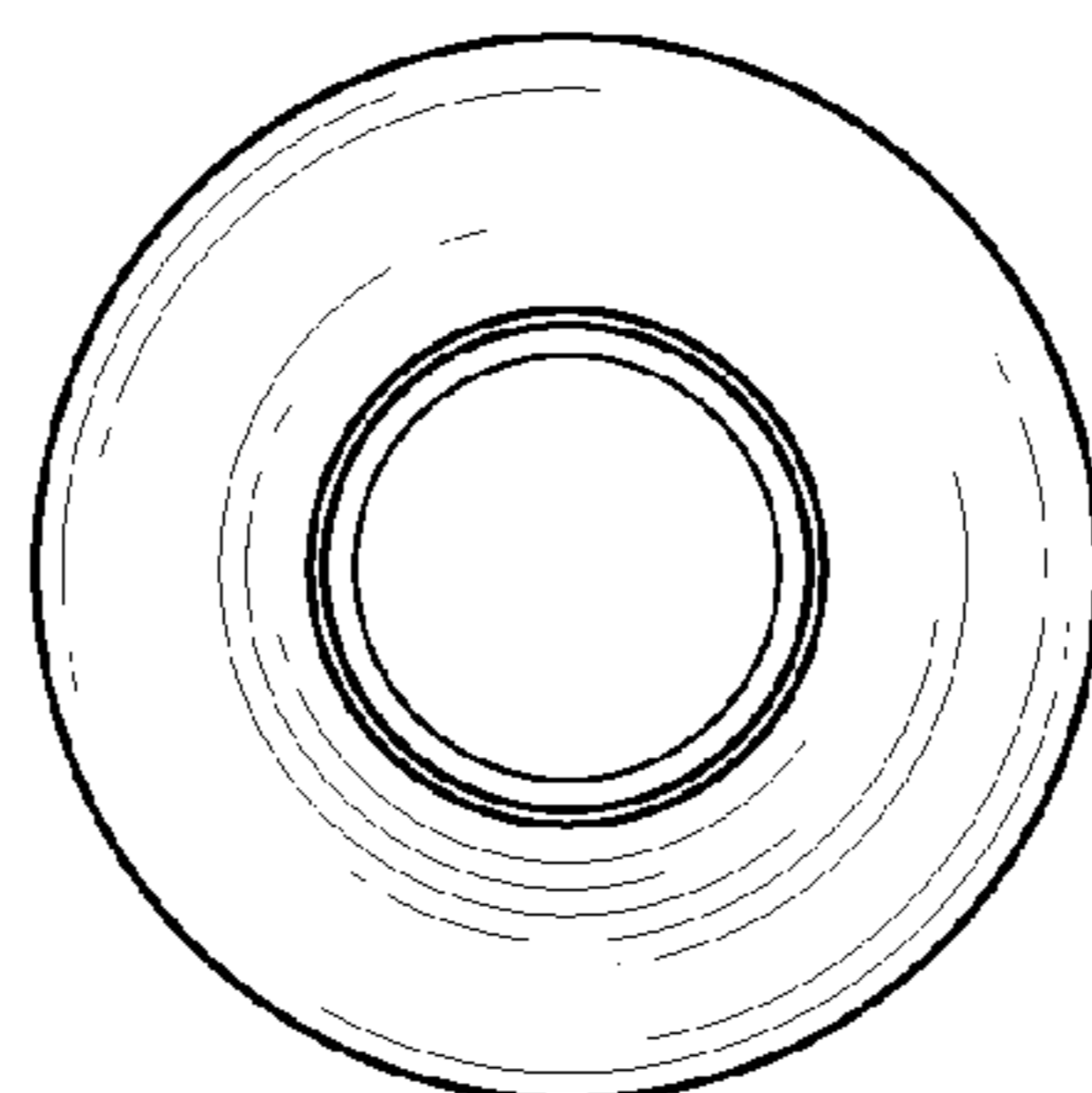


FIG. 6

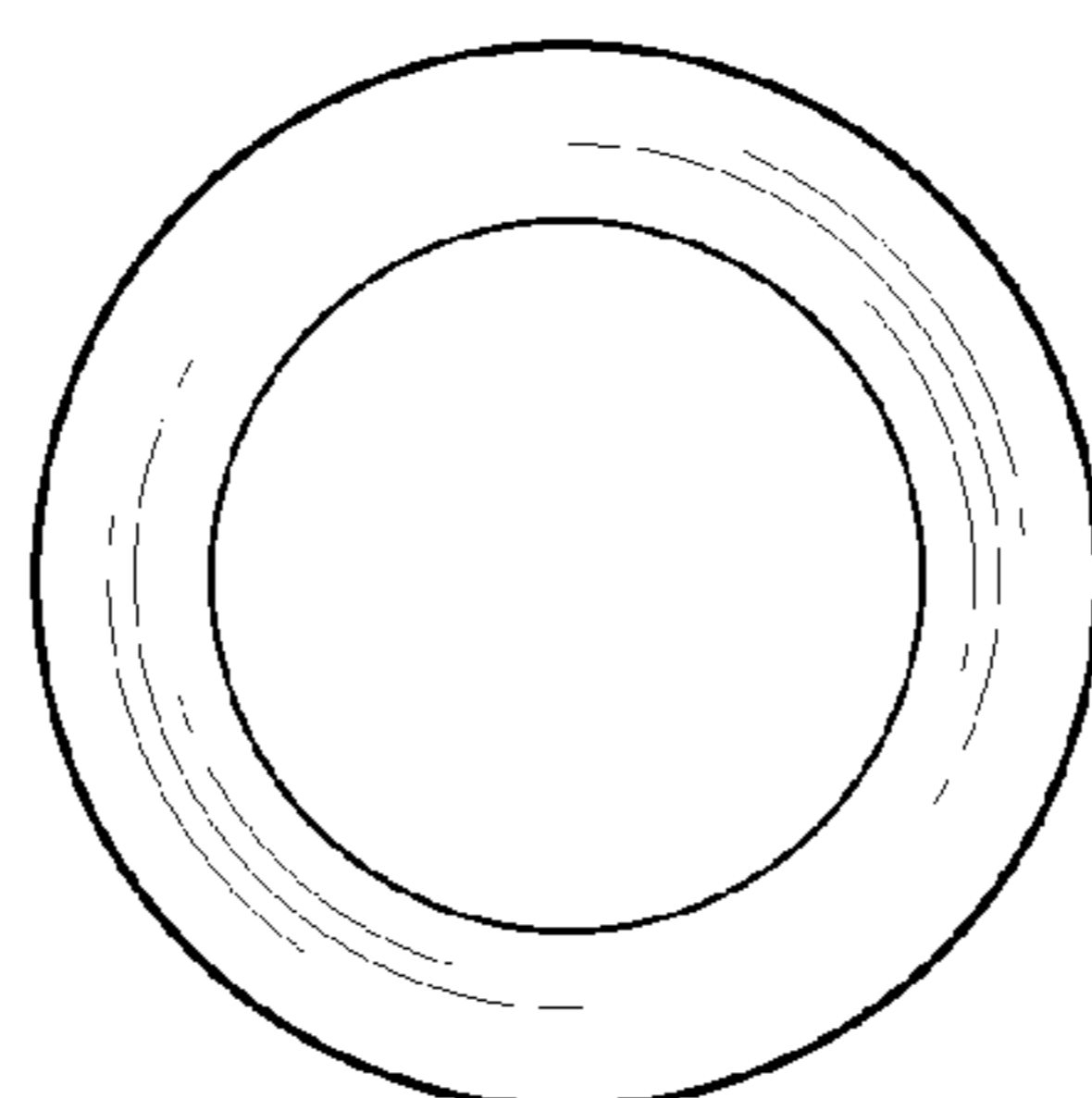


FIG. 7