



US00D695117S

(12) **United States Design Patent**
Kim

(10) **Patent No.:** **US D695,117 S**
(45) **Date of Patent:** **** Dec. 10, 2013**

(54) **COSMETIC CONTAINER**

(75) Inventor: **Yee Hwa Kim**, Seoul (KR)

(73) Assignee: **Amorepacific Corporation**, Seoul (KR)

(**) Term: **14 Years**

(21) Appl. No.: **29/430,172**

(22) Filed: **Aug. 22, 2012**

(30) **Foreign Application Priority Data**

Feb. 22, 2012 (KR) 30-2012-0008096

(51) **LOC (9) Cl.** **09-01**

(52) **U.S. Cl.**
USPC **D9/503**; D9/435; D9/454; D9/521;
D9/558

(58) **Field of Classification Search**
USPC D9/435, 454, 500, 502-505, 516, 529,
D9/549, 558, 682, 686, 688-691, 779-780,
D9/521, 544-545, 554; D99/5; D28/4,
D28/76-77; 215/379, 381-382; 220/660,
220/669-673, 675
See application file for complete search history.

(56) **References Cited**

U.S. PATENT DOCUMENTS

4,525,950 A * 7/1985 Glassman 47/41.01
D330,859 S * 11/1992 Schaeffer D9/503
D355,602 S * 2/1995 Buettner et al. D9/505
D394,006 S * 5/1998 Toleman D9/435
D447,419 S * 9/2001 Jaketic D9/521
D517,919 S * 3/2006 Walters D9/521

D522,641 S * 6/2006 Matsuda et al. D23/366
D532,557 S * 11/2006 Bakic D28/76
D532,936 S * 11/2006 Bakic D28/76
D533,966 S * 12/2006 Bakic D28/76
D563,221 S * 3/2008 Ashiwa et al. D9/500
D601,424 S * 10/2009 Rica D9/500
D621,708 S * 8/2010 Thomas et al. D9/500
D622,835 S * 8/2010 Mendheim D23/364
D659,537 S * 5/2012 Ritzenhoff D9/500

FOREIGN PATENT DOCUMENTS

EM 001674334-0002 * 2/2010
WO DM/079416 * 8/2012

* cited by examiner

Primary Examiner — Ian Simmons

Assistant Examiner — Dana L Meyrow

(74) *Attorney, Agent, or Firm* — Ohlandt Greeley Ruggiero
& Perle L.L.P.

(57) **CLAIM**

I claim the ornamental design for a cosmetic container, as shown and described.

DESCRIPTION

FIG. 1 is a top, front perspective view of a cosmetic container of the present invention;
FIG. 2 is a front elevation view thereof;
FIG. 3 is a rear elevation view thereof;
FIG. 4 is a side elevation view thereof;
FIG. 5 is the opposing side elevation view thereof;
FIG. 6 is a top plan view thereof;
FIG. 7 is a bottom plan view thereof; and,
FIG. 8 is an exploded top, front, perspective view thereof.

1 Claim, 8 Drawing Sheets

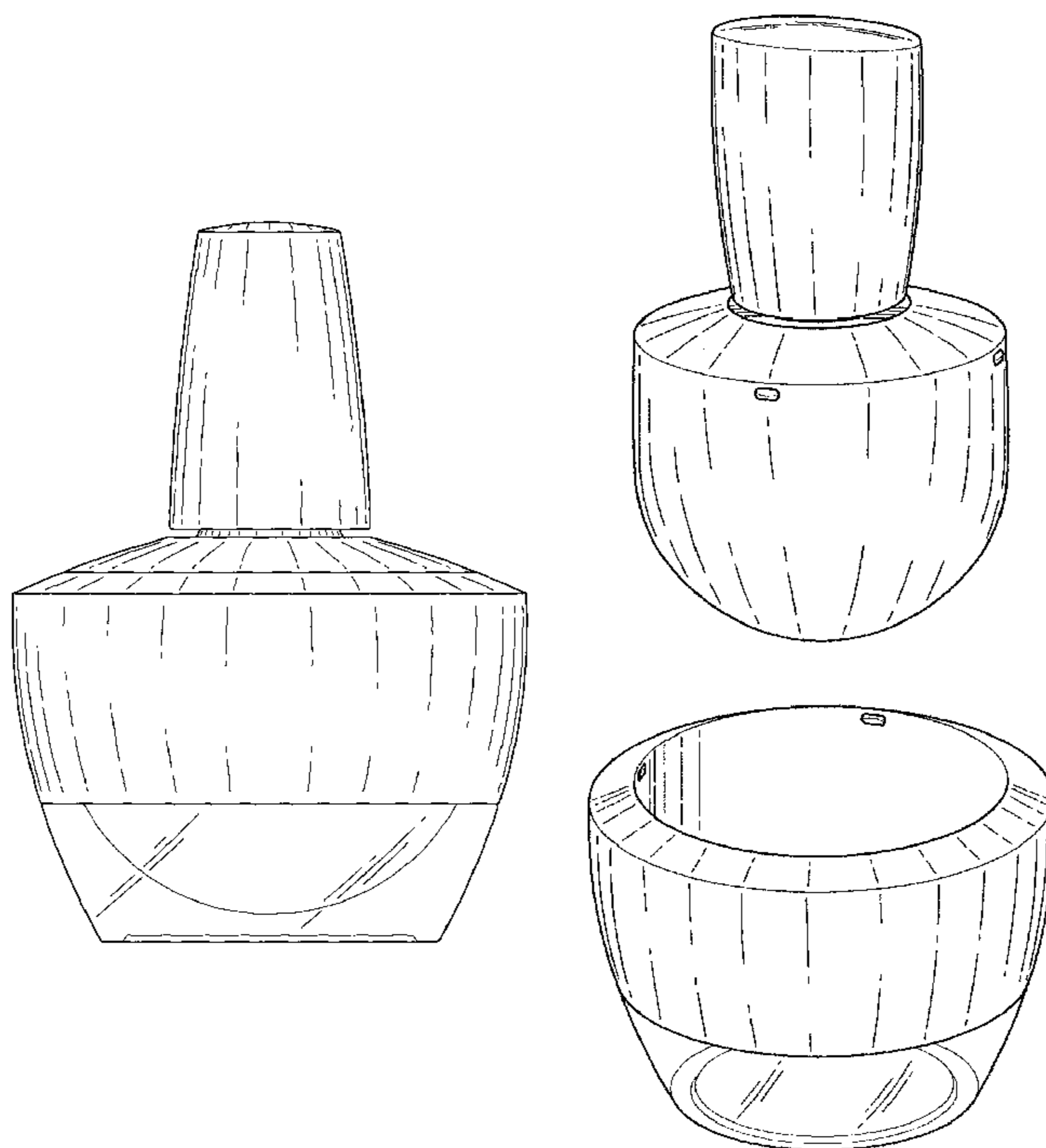


FIG. 1

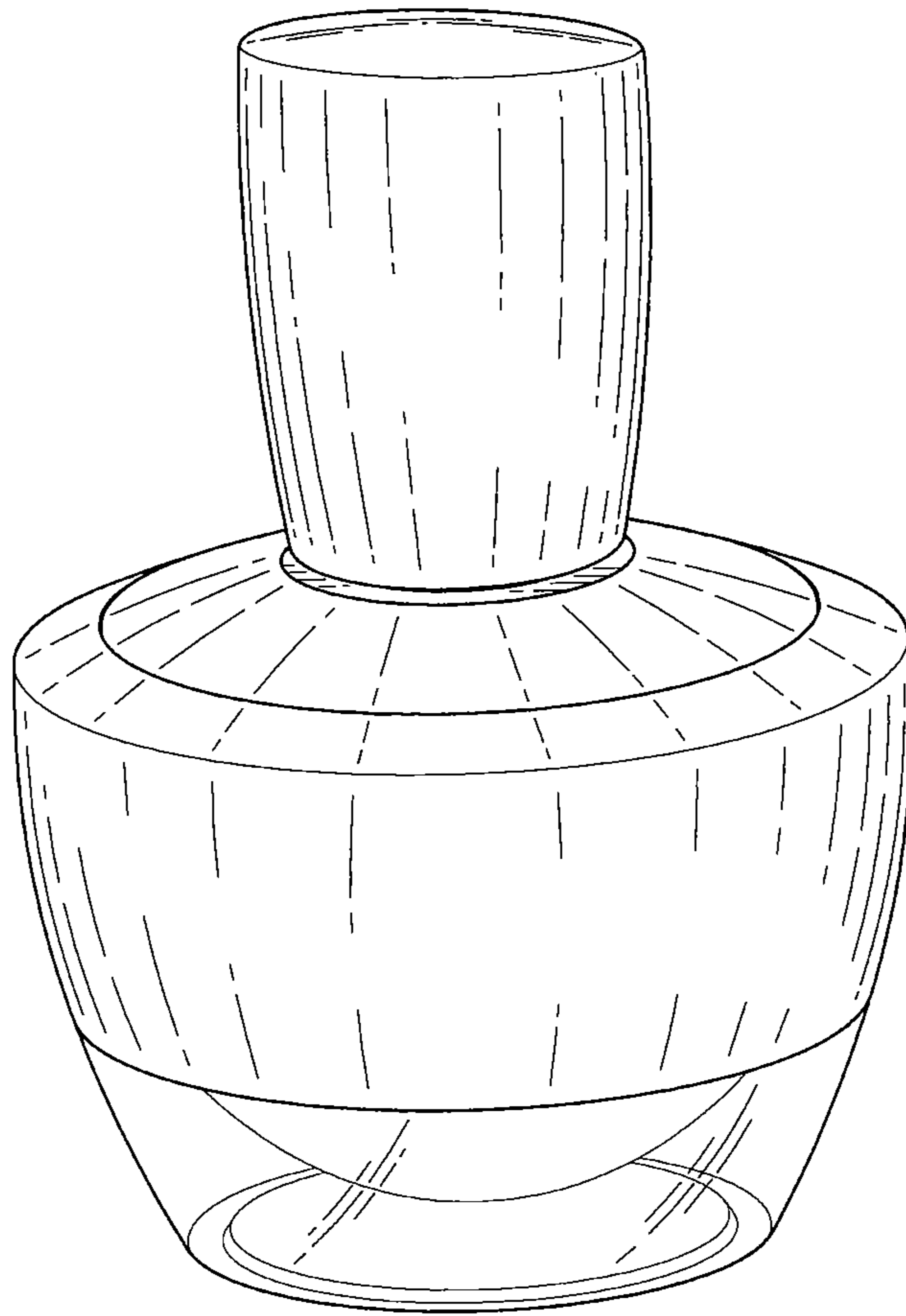


FIG. 2

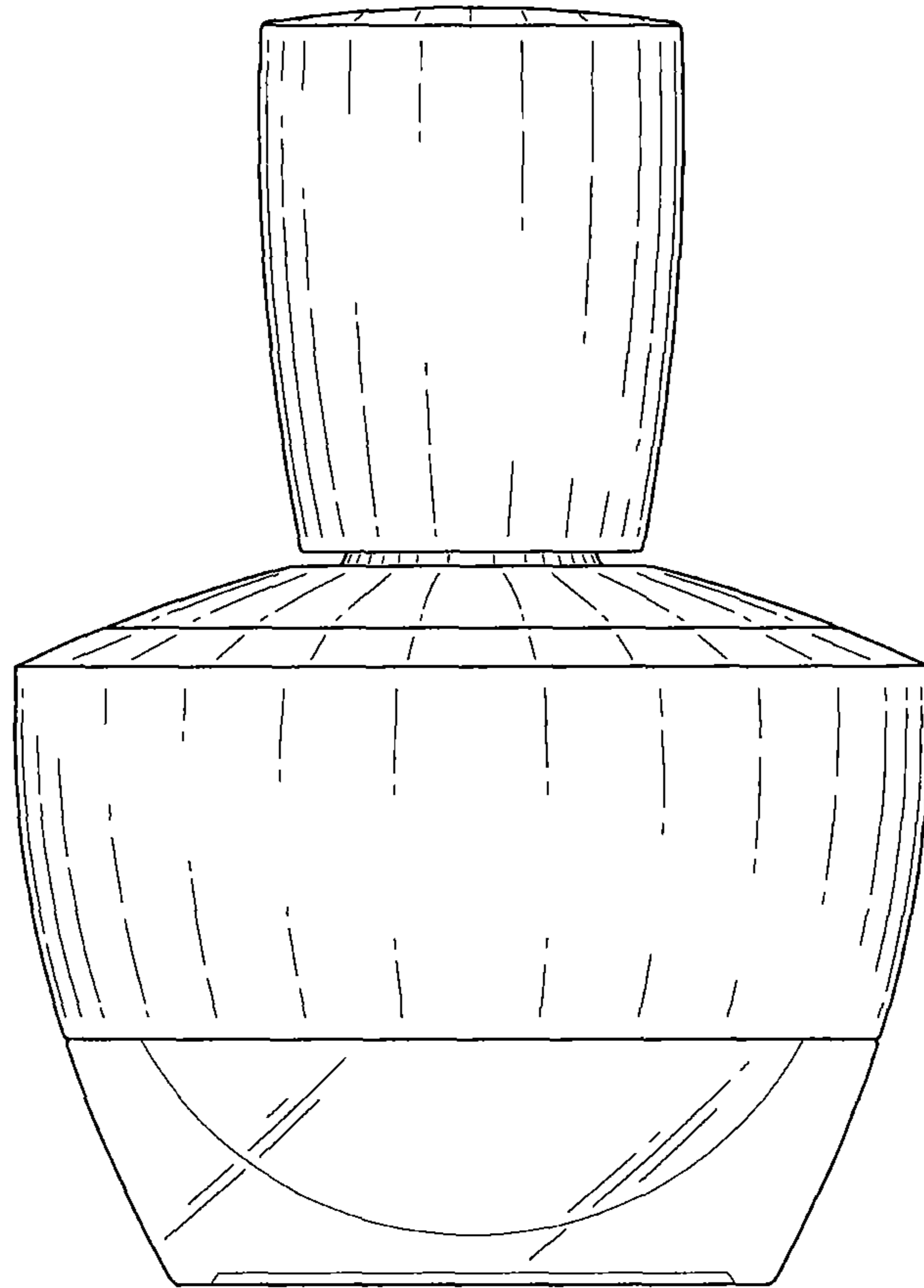


FIG. 3

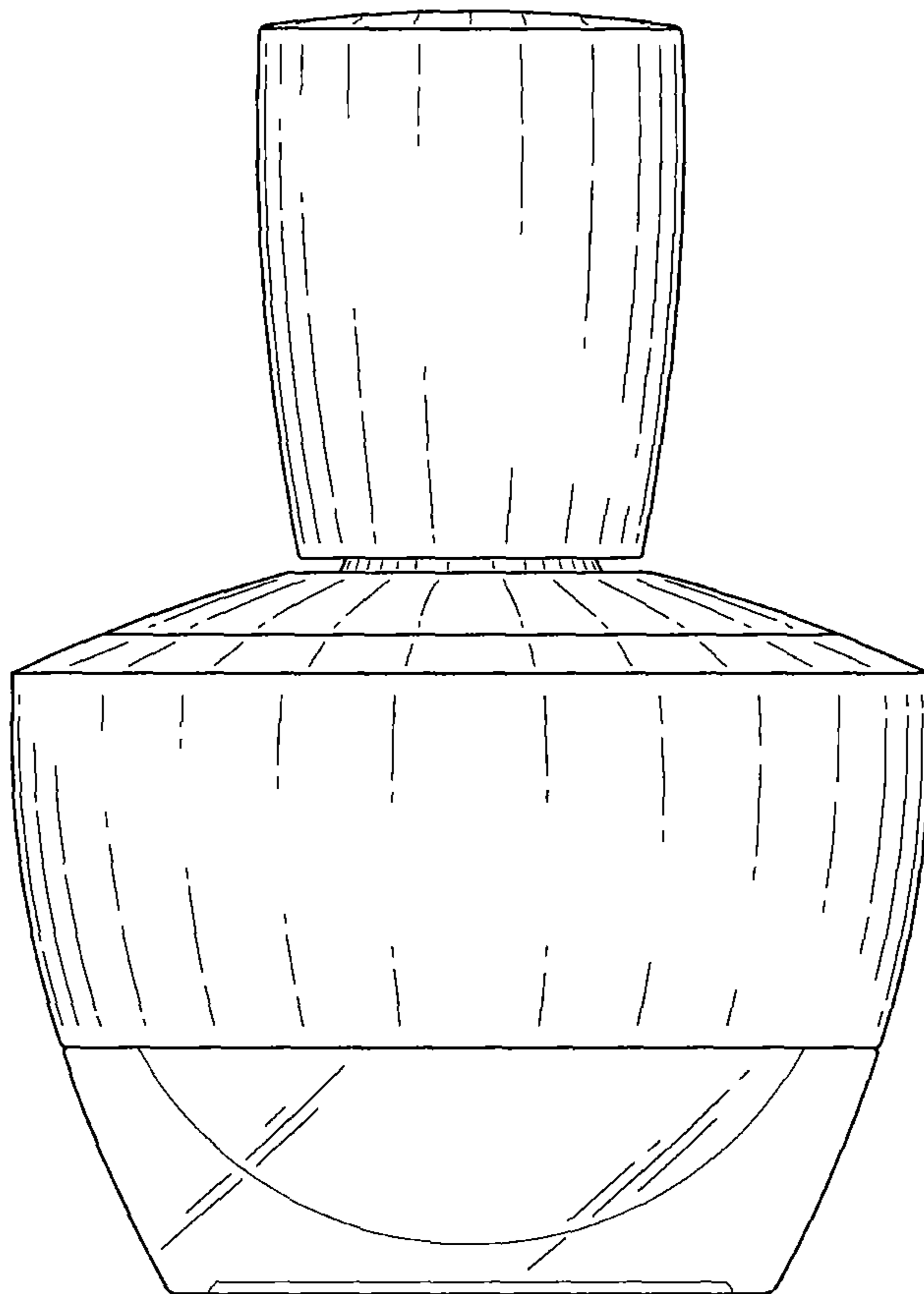


FIG. 4

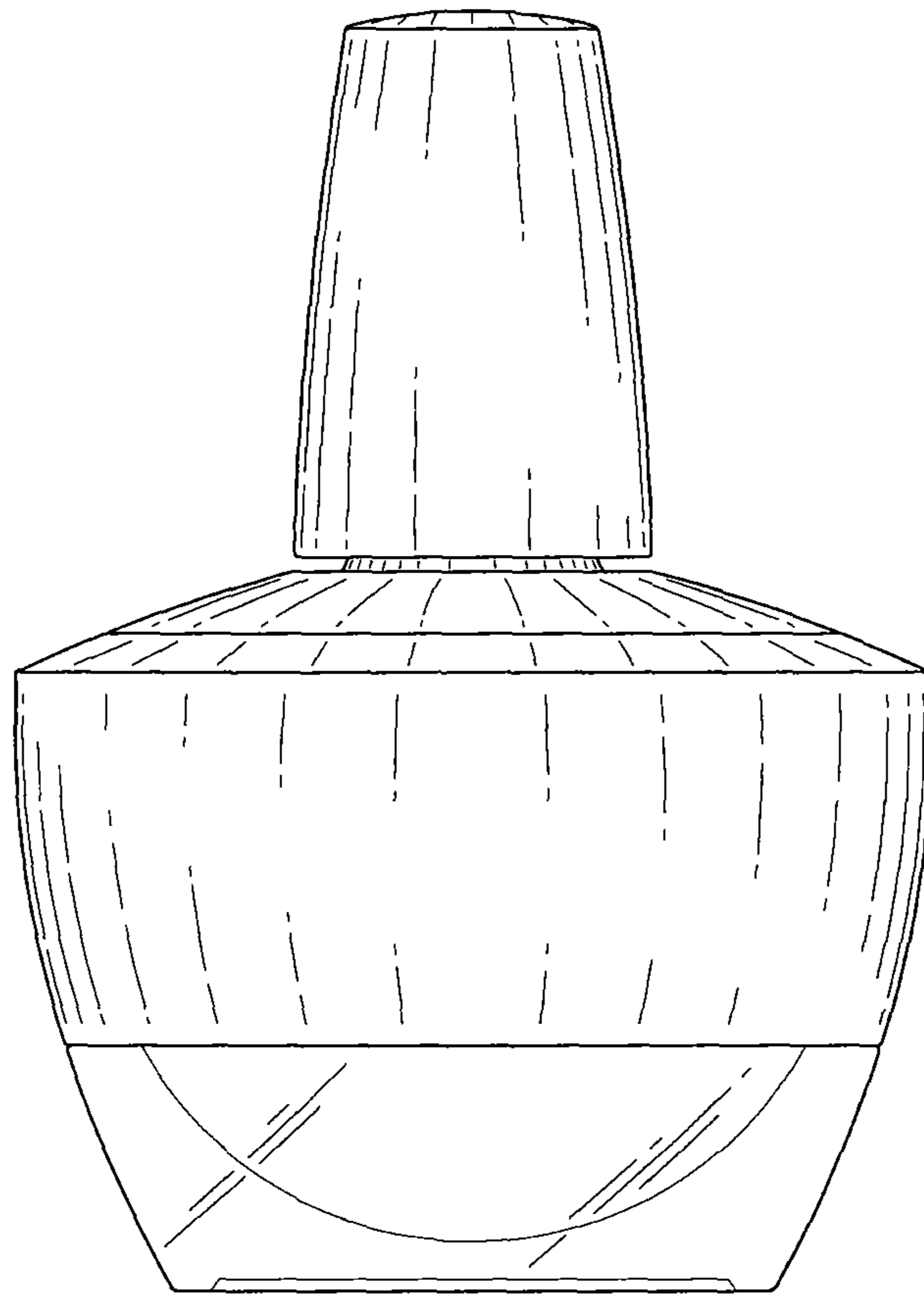


FIG. 5

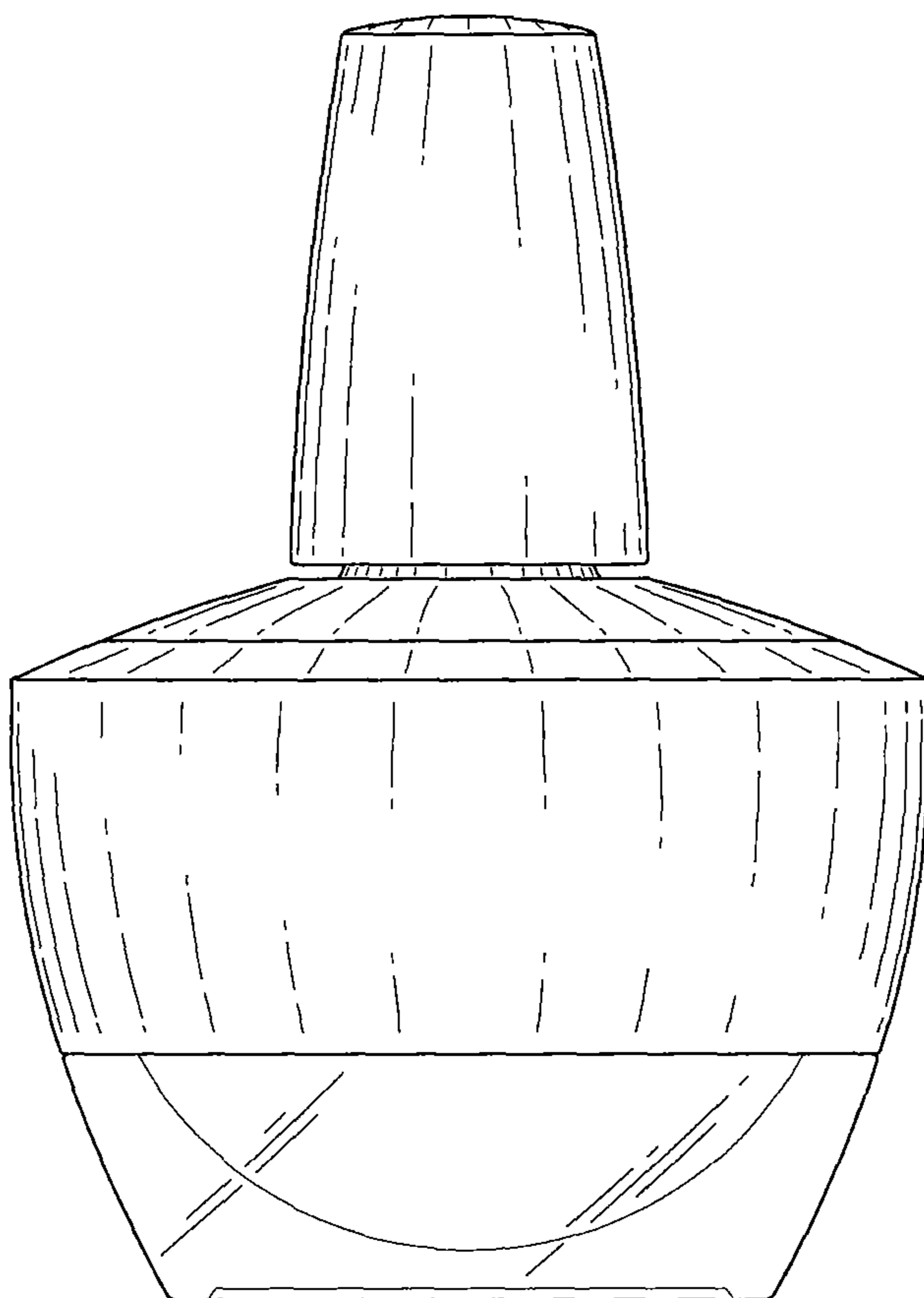


FIG. 6

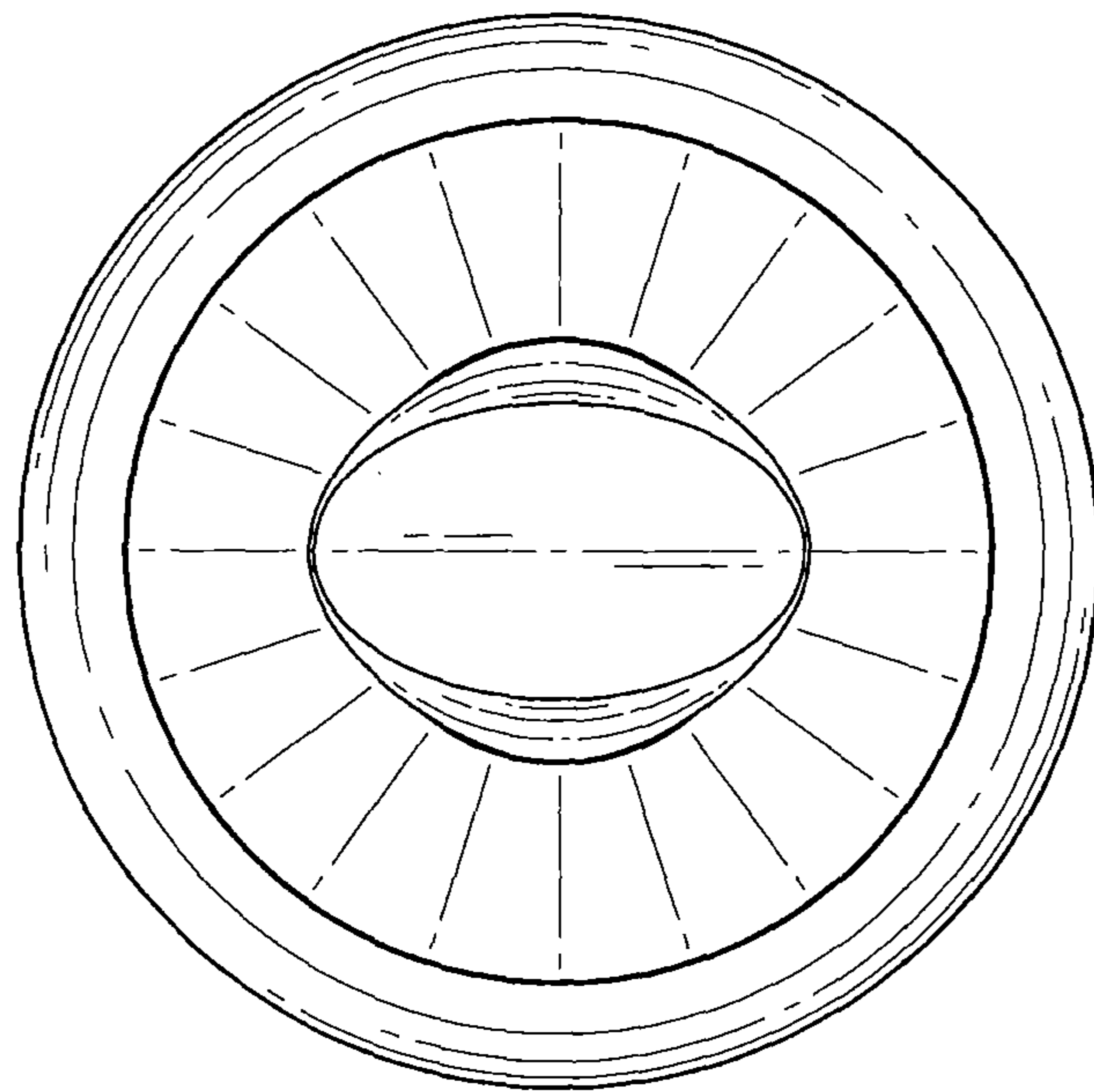


FIG. 7

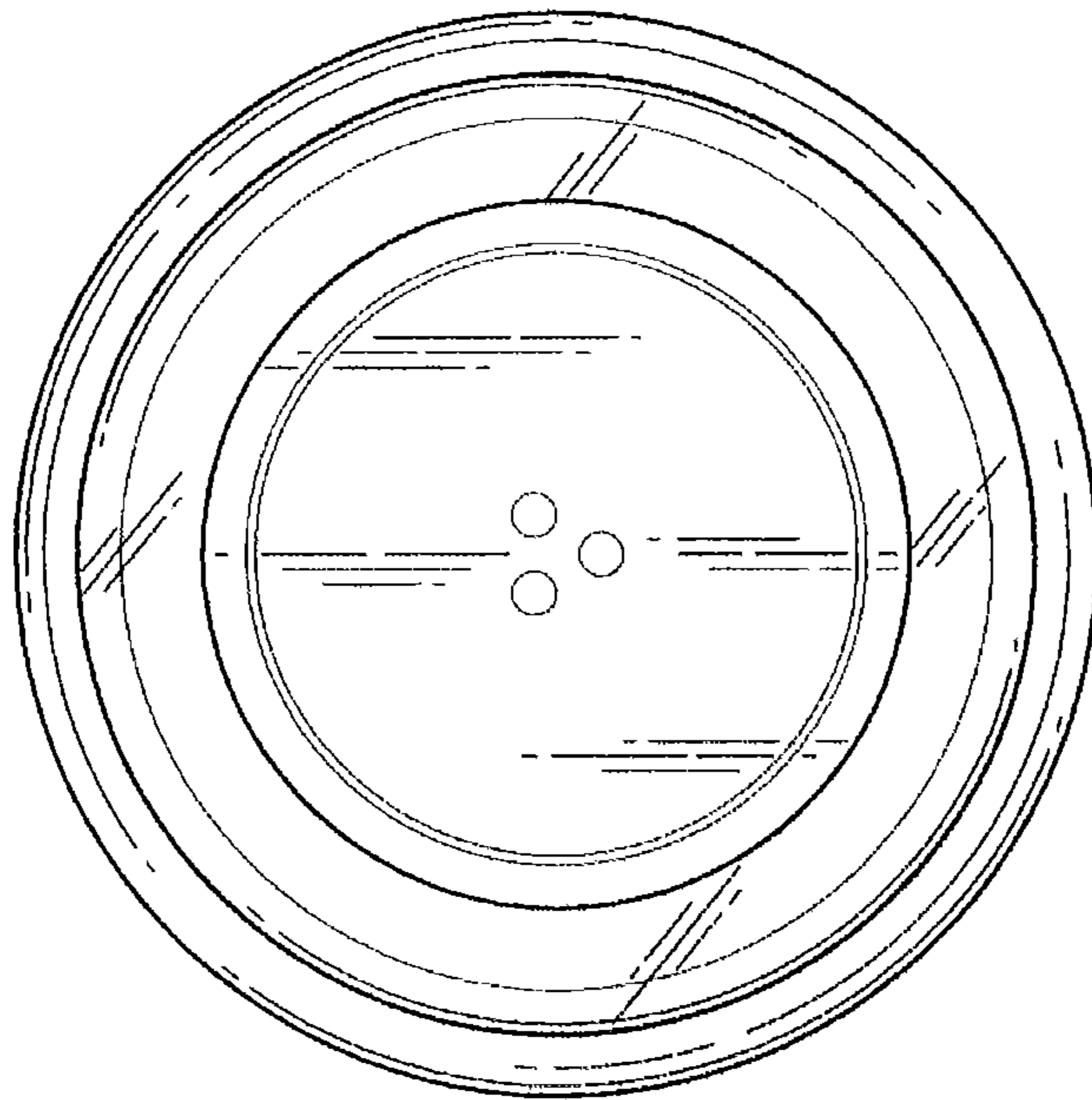


FIG. 8

