



US00D695116S

(12) **United States Design Patent**
Ahn

(10) **Patent No.:** **US D695,116 S**
(45) **Date of Patent:** **** Dec. 10, 2013**

(54) **COSMETIC CONTAINER**

(75) Inventor: **Ji Na Ahn**, Seoul (KR)

(73) Assignee: **Amorepacific Corporation**, Seoul (KR)

(**) Term: **14 Years**

(21) Appl. No.: **29/400,040**

(22) Filed: **Aug. 23, 2011**

(30) **Foreign Application Priority Data**

Feb. 24, 2011 (KR) 30-2011-0007235

(51) **LOC (9) Cl.** **09-01**

(52) **U.S. Cl.**
USPC **D9/503**; D9/454

(58) **Field of Classification Search**
USPC D9/435, 454, 500, 502-505, 516, 529,
D9/549, 558, 682, 686, 688-691,
D9/779-780; D99/5; D28/4, 76-77;
215/379, 381-382; 220/660, 669-673,
220/675

See application file for complete search history.

(56) **References Cited**

U.S. PATENT DOCUMENTS

D397,939 S * 9/1998 Hering D9/454
D401,155 S * 11/1998 de Mourgues D9/558
D412,440 S * 8/1999 Chuang D9/503

D512,914 S * 12/2005 Moretti D9/454
D551,548 S * 9/2007 Didier D9/439
D677,583 S * 3/2013 In D9/723

* cited by examiner

Primary Examiner — Ian Simmons

Assistant Examiner — Dana L Meyrow

(74) *Attorney, Agent, or Firm* — Ohlandt Greeley Ruggiero & Perle L.L.P.

(57) **CLAIM**

I claim the ornamental design for a cosmetic container, as shown and described.

DESCRIPTION

FIG. 1 is a perspective view of the cosmetic container of the present disclosure;

FIG. 2 is a front elevational view of the cosmetic container of FIG. 1;

FIG. 3 is a rear elevational view of the cosmetic container of FIG. 1;

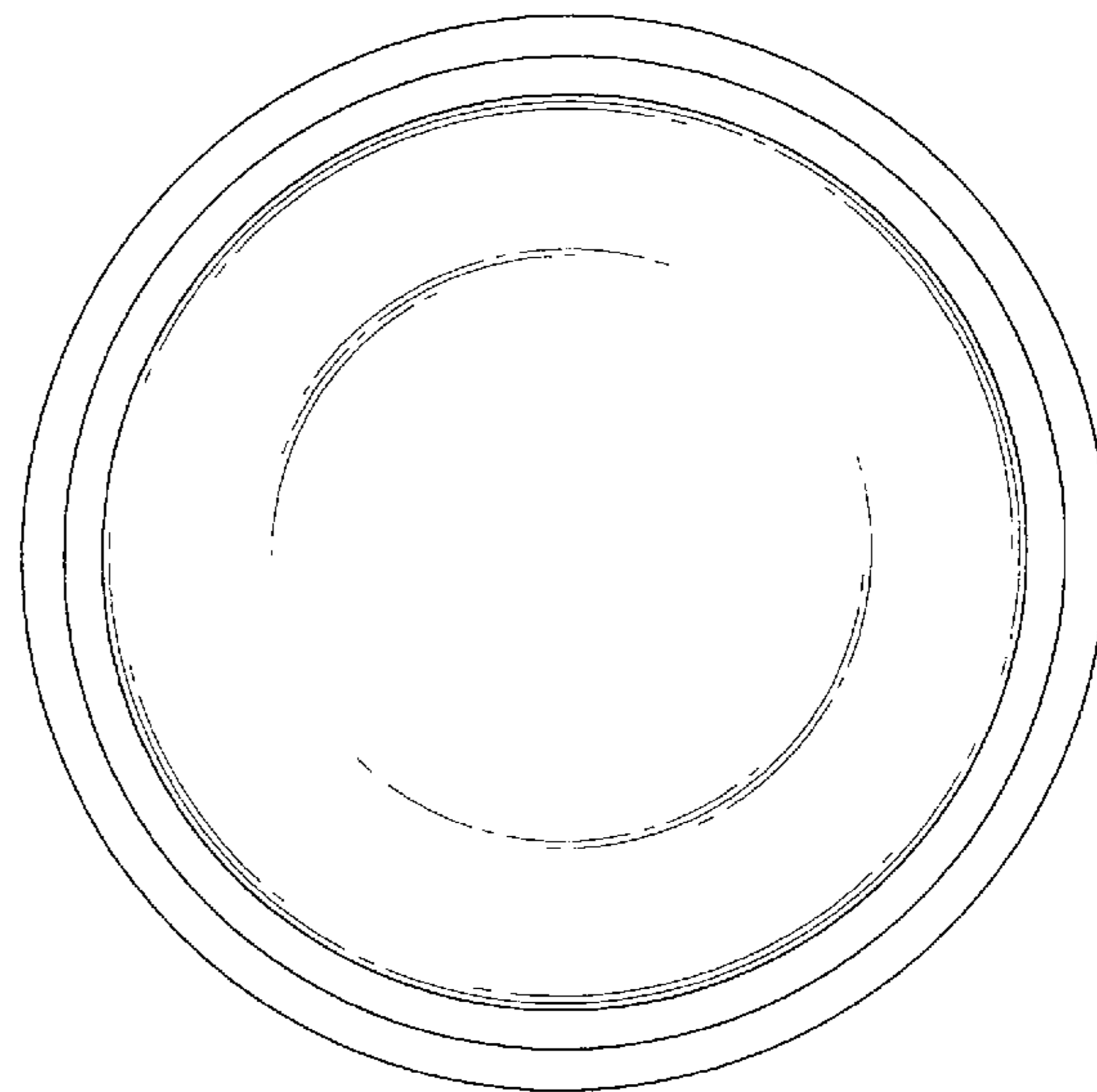
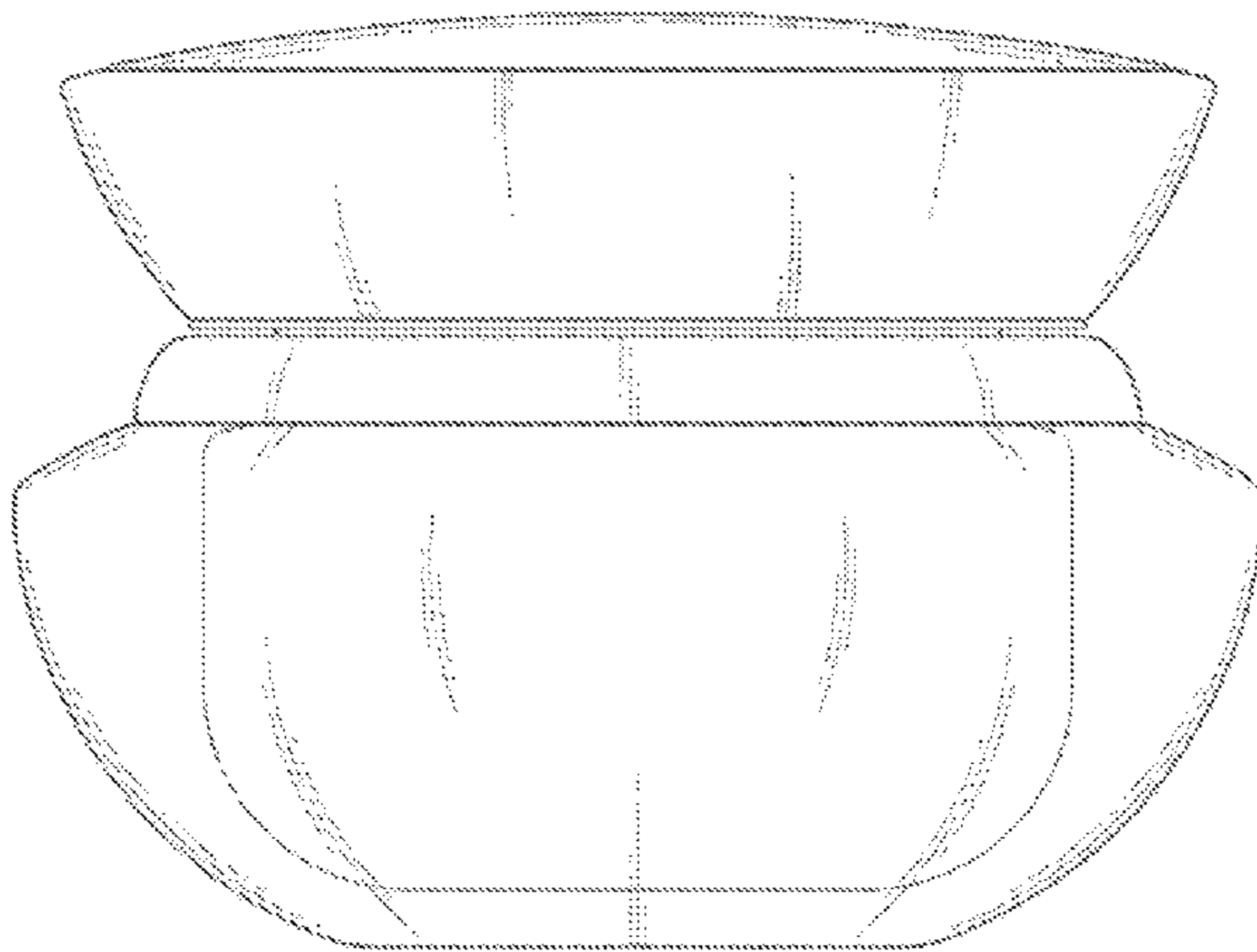
FIG. 4 is a left elevational view of the cosmetic container of FIG. 1;

FIG. 5 is a right elevational view of the cosmetic container of FIG. 1;

FIG. 6 is a top plan view of the cosmetic container of FIG. 1; and,

FIG. 7 is a bottom plan view of the cosmetic container of FIG. 1.

1 Claim, 7 Drawing Sheets



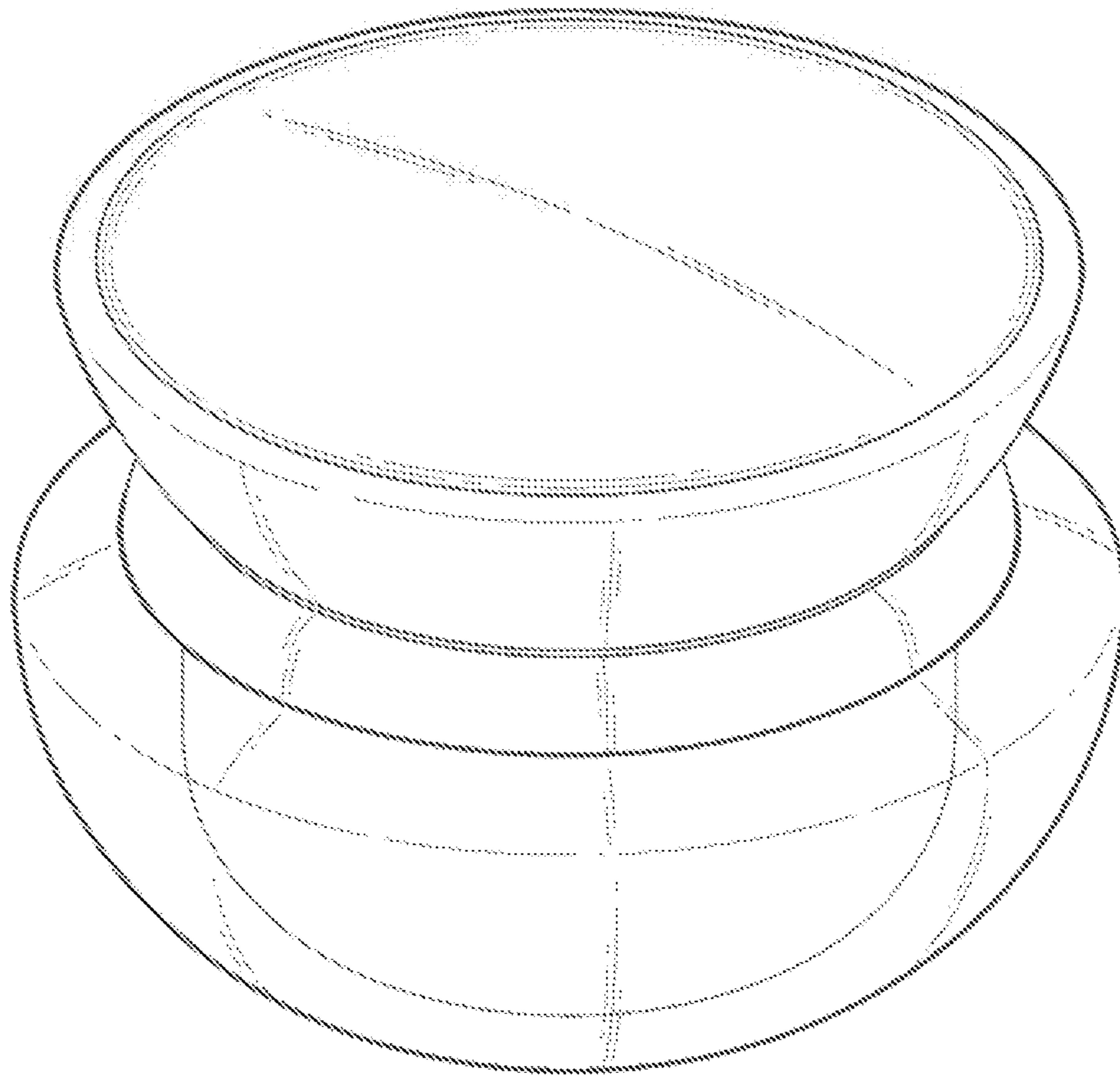


FIG. 1

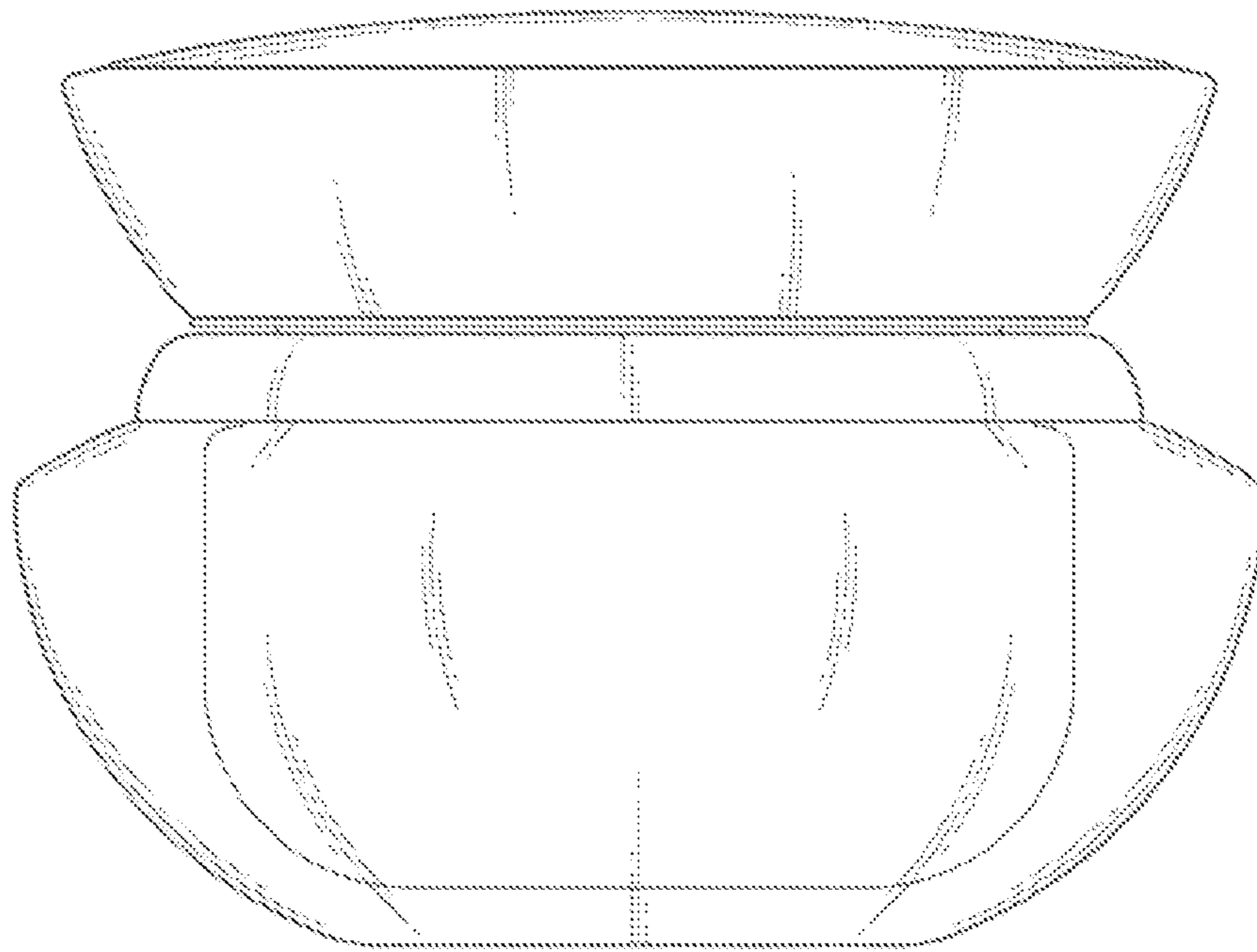


FIG. 2

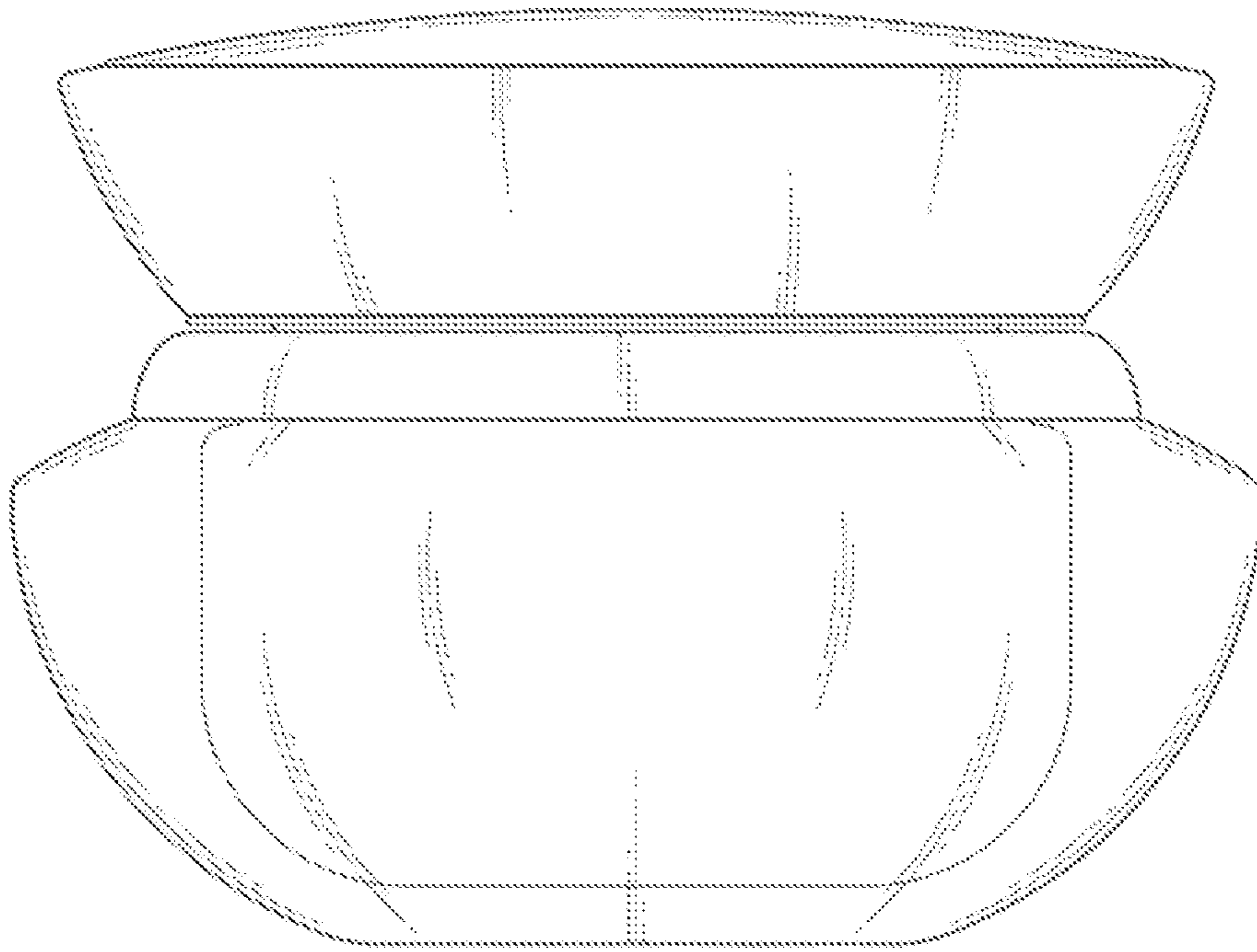


FIG. 3

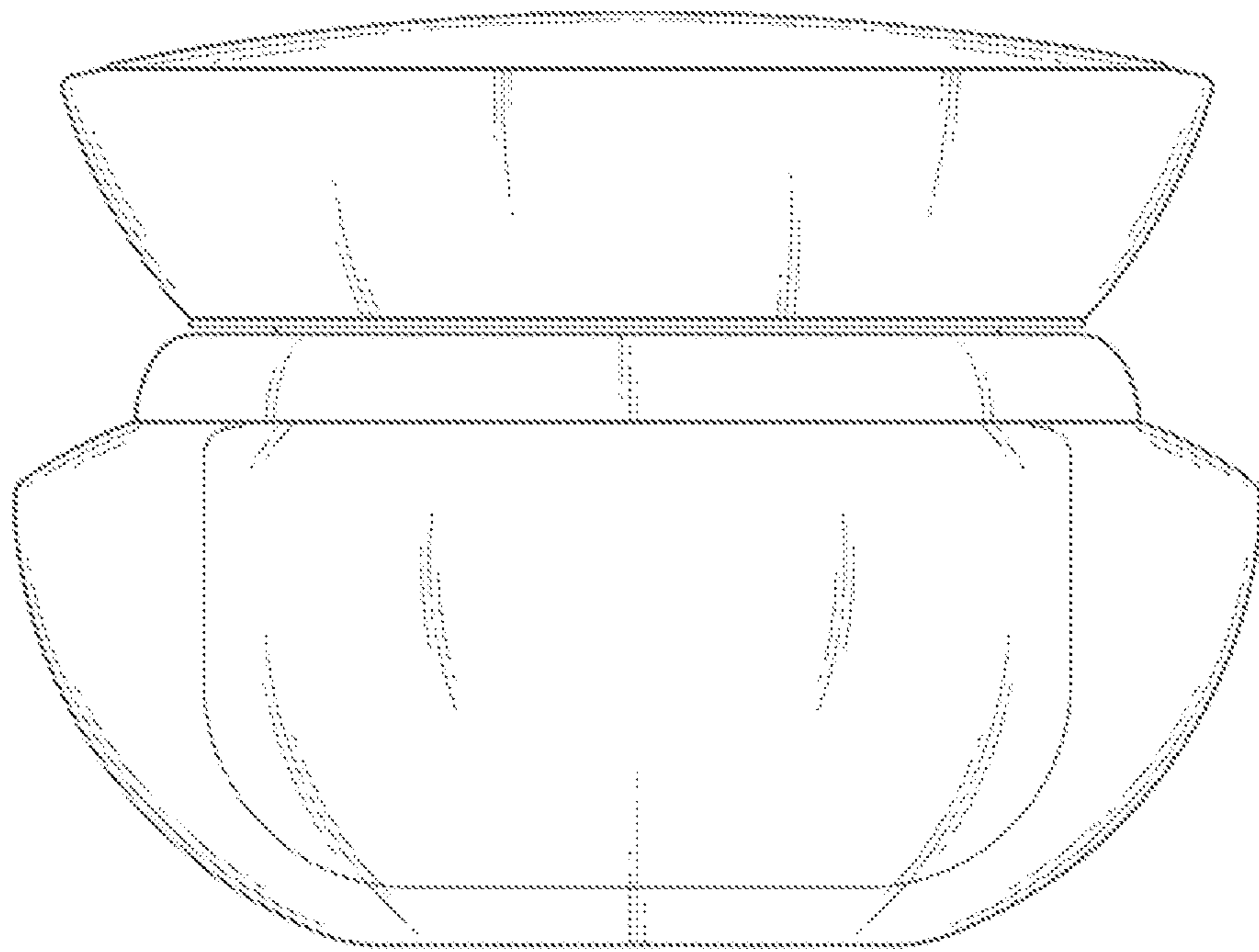


FIG. 4

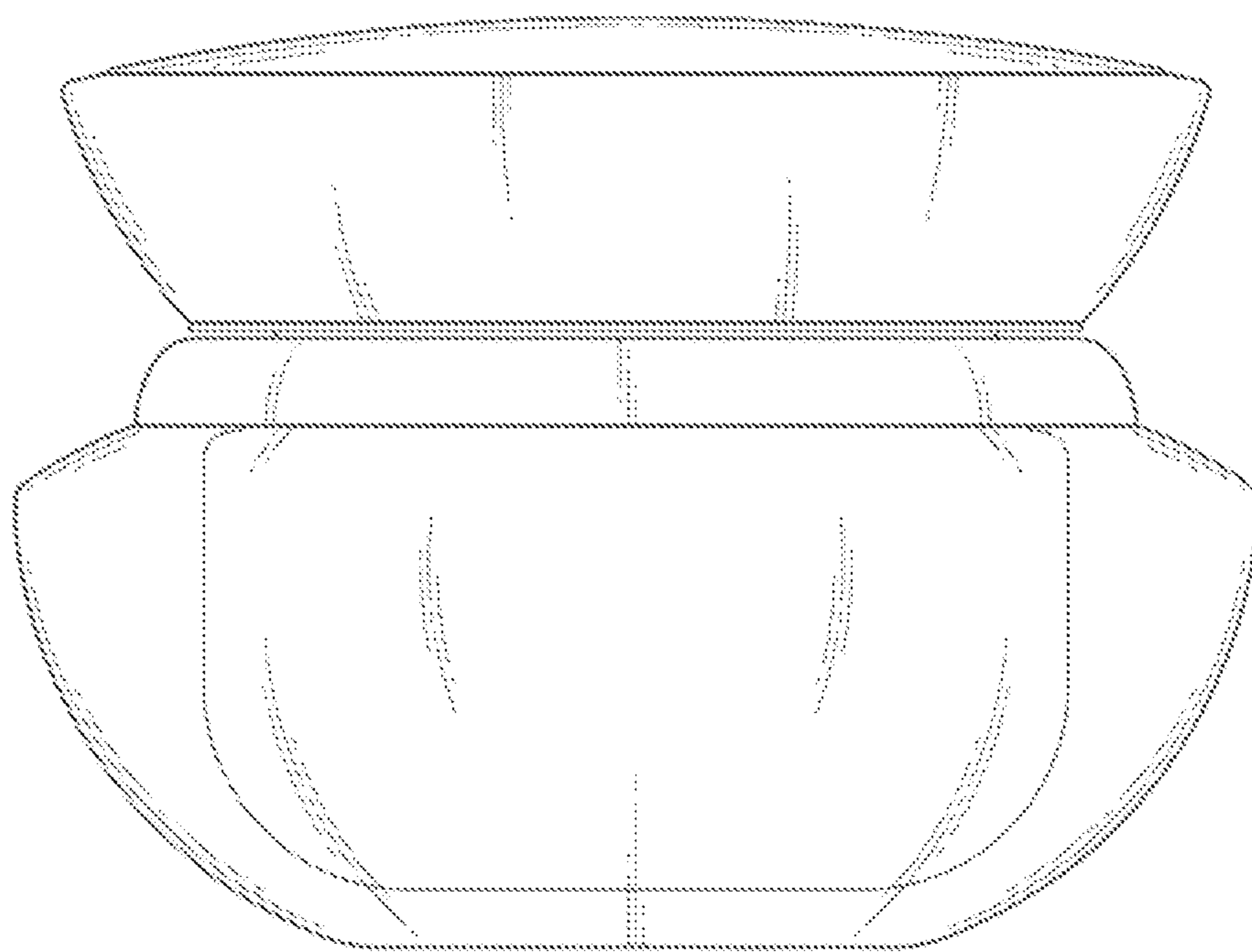


FIG. 5

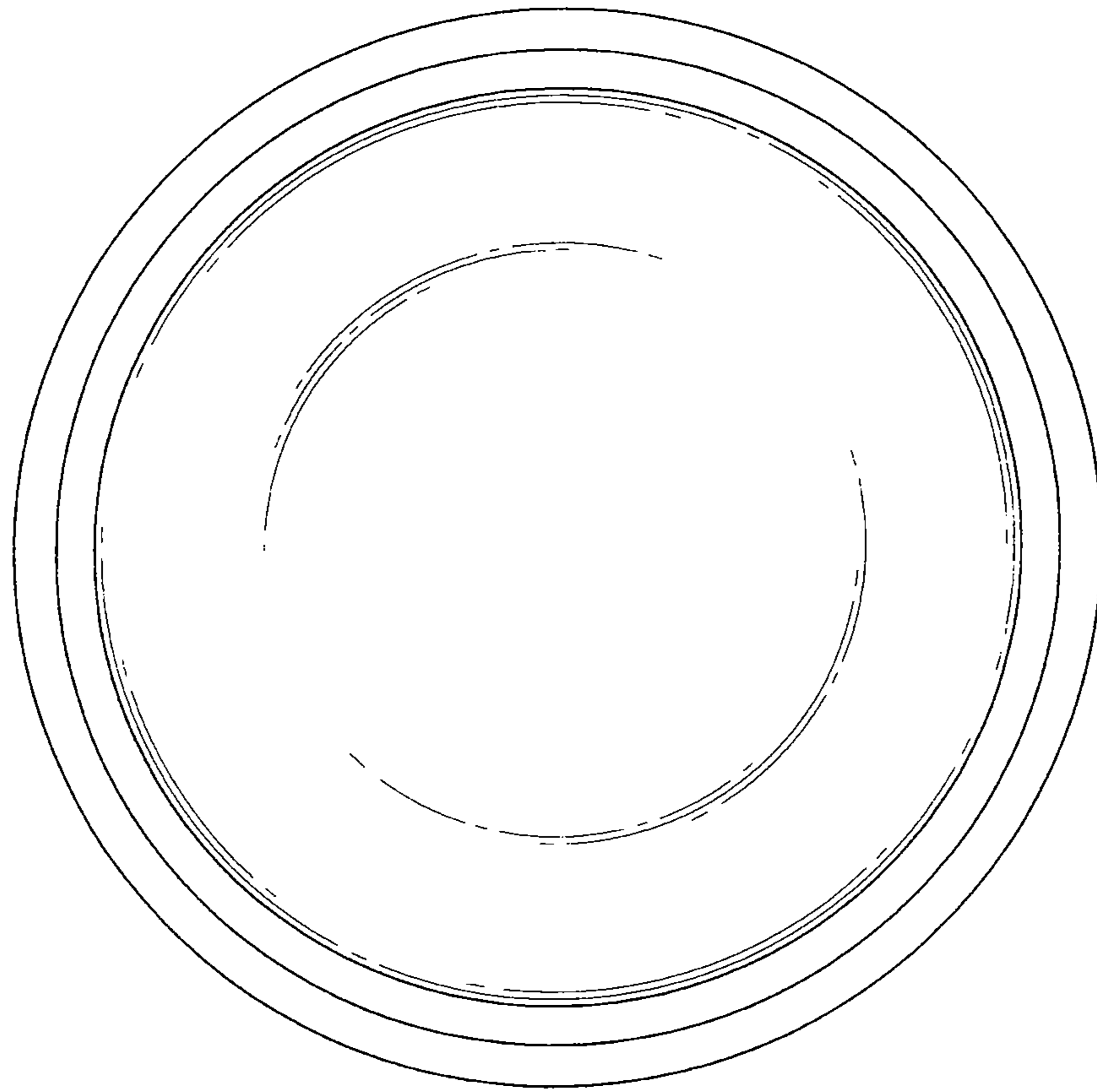


Fig. 6

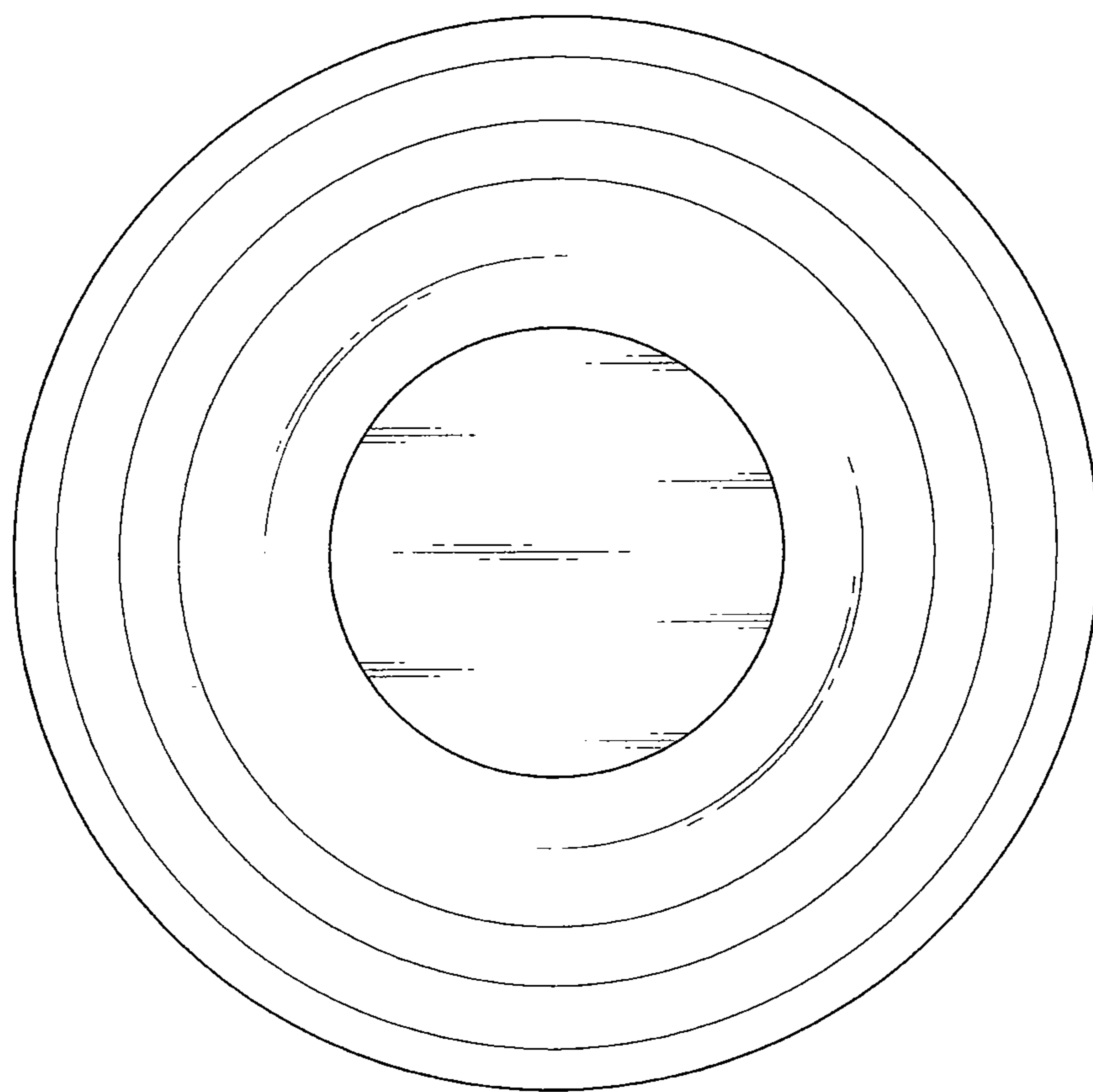


Fig. 7