

US00D695112S

(12) **United States Design Patent**
Zornes et al.

(10) **Patent No.:** **US D695,112 S**

(45) **Date of Patent:** **** Dec. 10, 2013**

(54) **SHIPPING AND DISPLAY CONTAINER**

(71) Applicants: **Patricia Zornes**, Slidell, LA (US); **Louis Zornes**, Slidell, LA (US); **Zachary Zornes**, Slidell, LA (US)

(72) Inventors: **Patricia Zornes**, Slidell, LA (US); **Louis Zornes**, Slidell, LA (US); **Zachary Zornes**, Slidell, LA (US)

(73) Assignee: **Randazzo's Camellia City Bakery, Inc.**, Slidell, LA (US)

(**) Term: **14 Years**

(21) Appl. No.: **29/441,041**

(22) Filed: **Dec. 31, 2012**

(51) **LOC (9) Cl.** **09-03**

(52) **U.S. Cl.**
USPC **D9/429**

(58) **Field of Classification Search**
USPC D9/414, 418, 420, 423, 424, 425, 426, D9/429, 431, 432; D7/602, 629; 206/541, 206/815; 220/315, 324; 229/406, 407, 902
See application file for complete search history.

(56) **References Cited**

U.S. PATENT DOCUMENTS

178,105 A	5/1876	Brown	
854,394 A	5/1907	Allender	
1,727,257 A	9/1929	Stratton et al.	
2,995,269 A *	8/1961	Pease	220/787
3,262,668 A	7/1966	Luker	
D241,109 S *	8/1976	Levin	D7/359
4,452,419 A	6/1984	Saleeba	
4,974,738 A *	12/1990	Kidd et al.	220/4.24
5,537,917 A	7/1996	Schiffer et al.	
5,676,050 A	10/1997	Beck	
5,685,453 A *	11/1997	Goins et al.	220/782
D402,850 S *	12/1998	Davis et al.	D7/550.1
D513,588 S *	1/2006	Vovan	D9/455

7,178,668 B2 *	2/2007	Vovan	206/303
D553,490 S *	10/2007	Yang	D9/425
D625,180 S *	10/2010	Enriquez	D9/425
D627,221 S *	11/2010	Kovatch	D9/429
D666,879 S *	9/2012	Everson	D7/629

OTHER PUBLICATIONS

www.alibaba.com website—Plastic 4-Compartment Cake Container, Nov. 7, 2011.

(Continued)

Primary Examiner — Thomas Johannes

(74) *Attorney, Agent, or Firm* — Garvey, Smith, Nehrbass & North, L.L.C.; Brett A. North

(57) **CLAIM**

The ornamental design for a shipping and display container, as shown and described.

DESCRIPTION

FIG. 1 is a perspective exploded view of a shipping and display container showing our new design with the upper and lower sections separated;

FIG. 2 is a side exploded view (from first side) with the upper and lower sections separated;

FIG. 3 is a side exploded view (from third side) with the upper and lower sections separated;

FIG. 4 is a side exploded view (from second side) with the upper and lower sections separated;

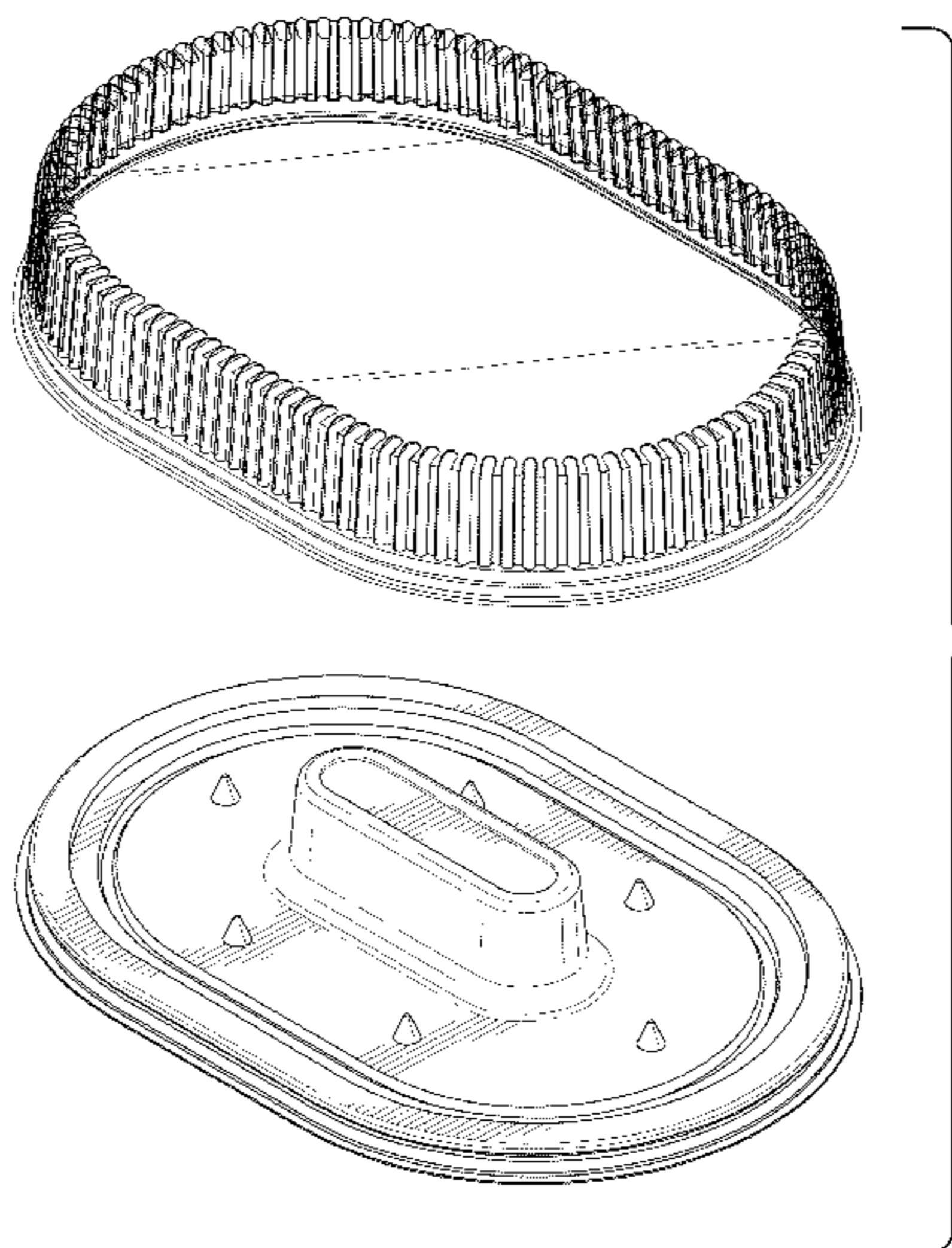
FIG. 5 is a side exploded view (from fourth side) with the upper and lower sections separated;

FIG. 6 is a top view showing the upper and lower sections separated;

FIG. 7 is a top view of an alternative embodiment showing the upper and lower sections separated with various non-essential design elements in lower section shown in dashed lines; and,

FIG. 8 is a perspective view of the upper and lower sections connected to each other.

1 Claim, 7 Drawing Sheets



(56)

References Cited

OTHER PUBLICATIONS

www.alibaba.com website—Disposable Biodegradable Blister Clear PP Cornstarch Plastic No-harm Non-toxic Clamshell Tasteless Cake Food Packing Container, Nov. 7, 2011.

www.alibaba.com website—Round Plastic Container, Nov. 7, 2011.

alibaba.com website—Bread Tray, Plastic Food Tray, Disposable Cake Tray, Blister Clamshell, Sandwich Combo Tray, Cake or Deli Container, Cake Punnet, Nov. 7, 2011.

buy4asianlife.com website—Disposable Oke-Hors Tidbit w/Lid, Nov. 14, 2011.

buy4asianlife.com website—Take out Divider Cake Box/Food Container, Nov. 7, 2011.

buy4asianlife.com website—Disposable Party Tray w/Lid, Nov. 14, 2011.

alibaba.com website—Disposable Sushi Container, Nov. 7, 2011.

supplyways.com website—Pactiv Cater-Time Lock Fresh Disposable Catering Tray, Nov. 7, 2011.

alibaba.com website—Disposable Cake Container With Lid For Food Packaging, Nov. 14, 2011.

alibaba.com website—Disposable Food Container For Cake Packaging, Nov. 14, 2011.

alibaba.com website—Cake Container, Nov. 7, 2011.

* cited by examiner

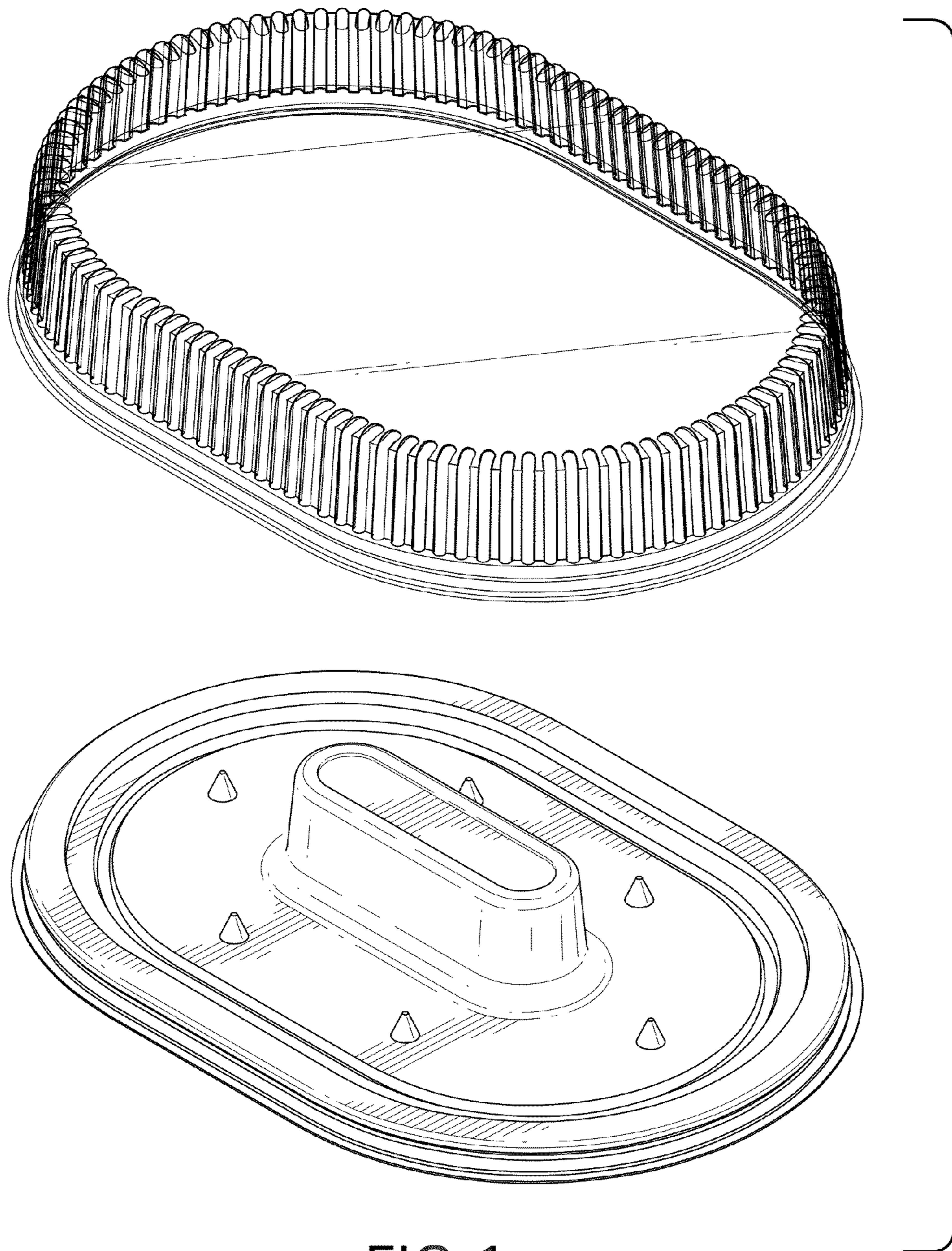


FIG. 1

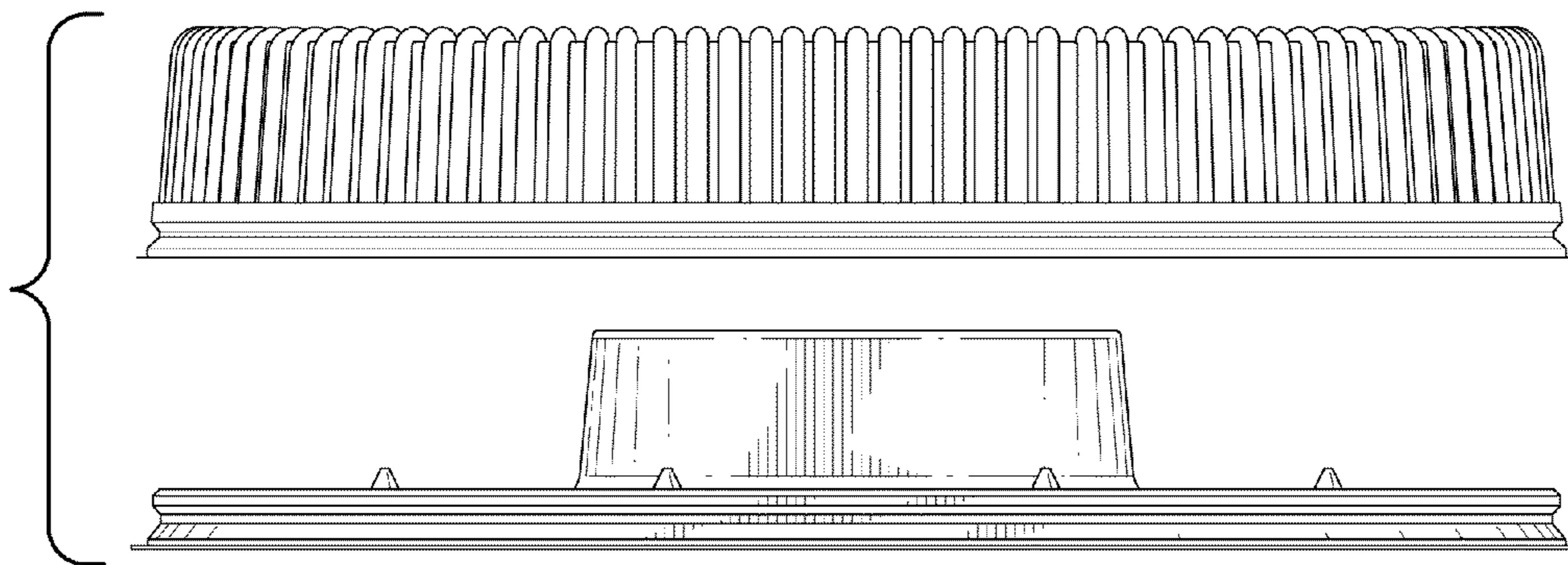


FIG. 2

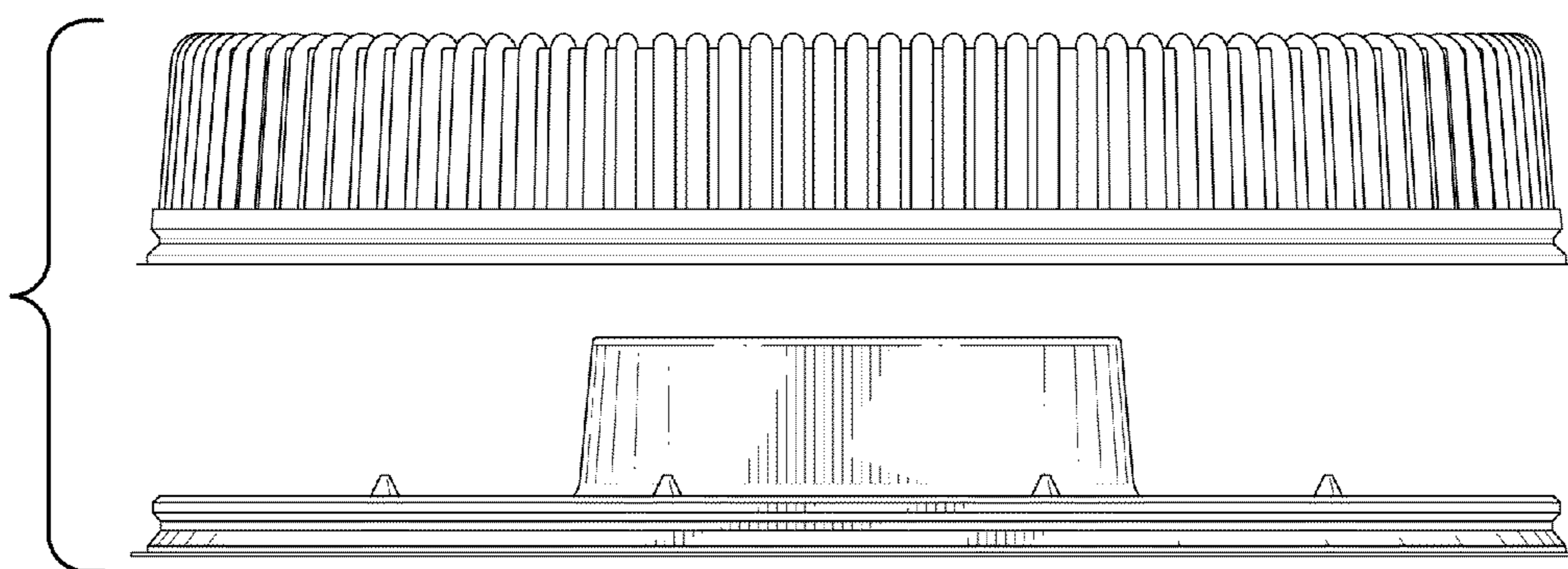


FIG. 3

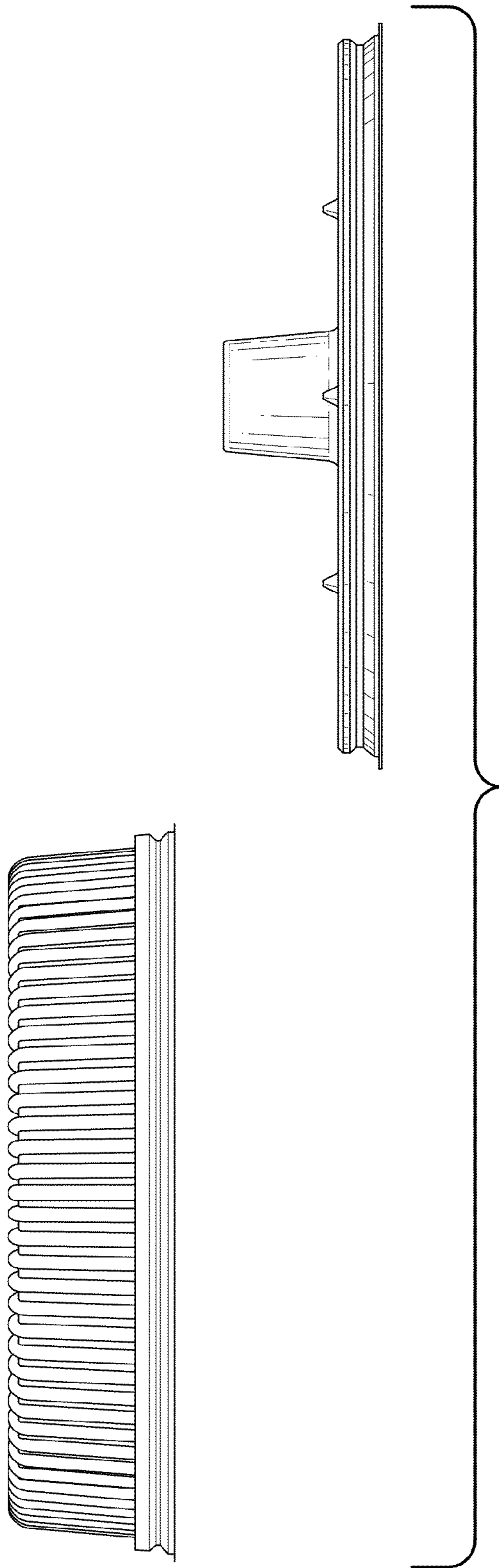


FIG. 4

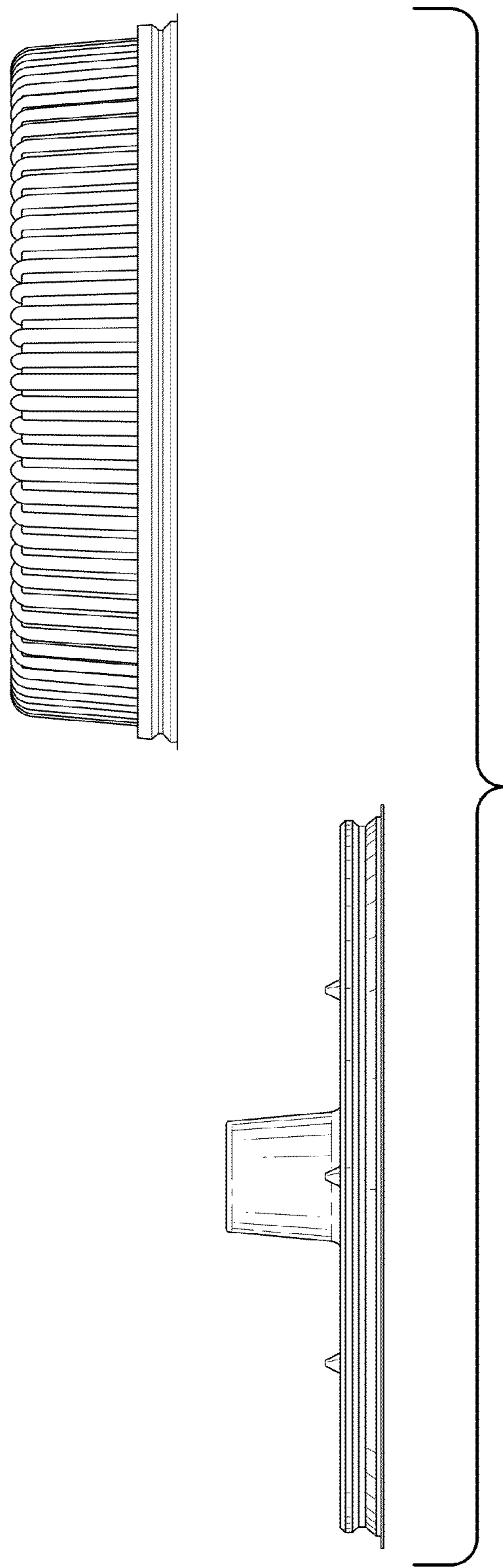


FIG. 5

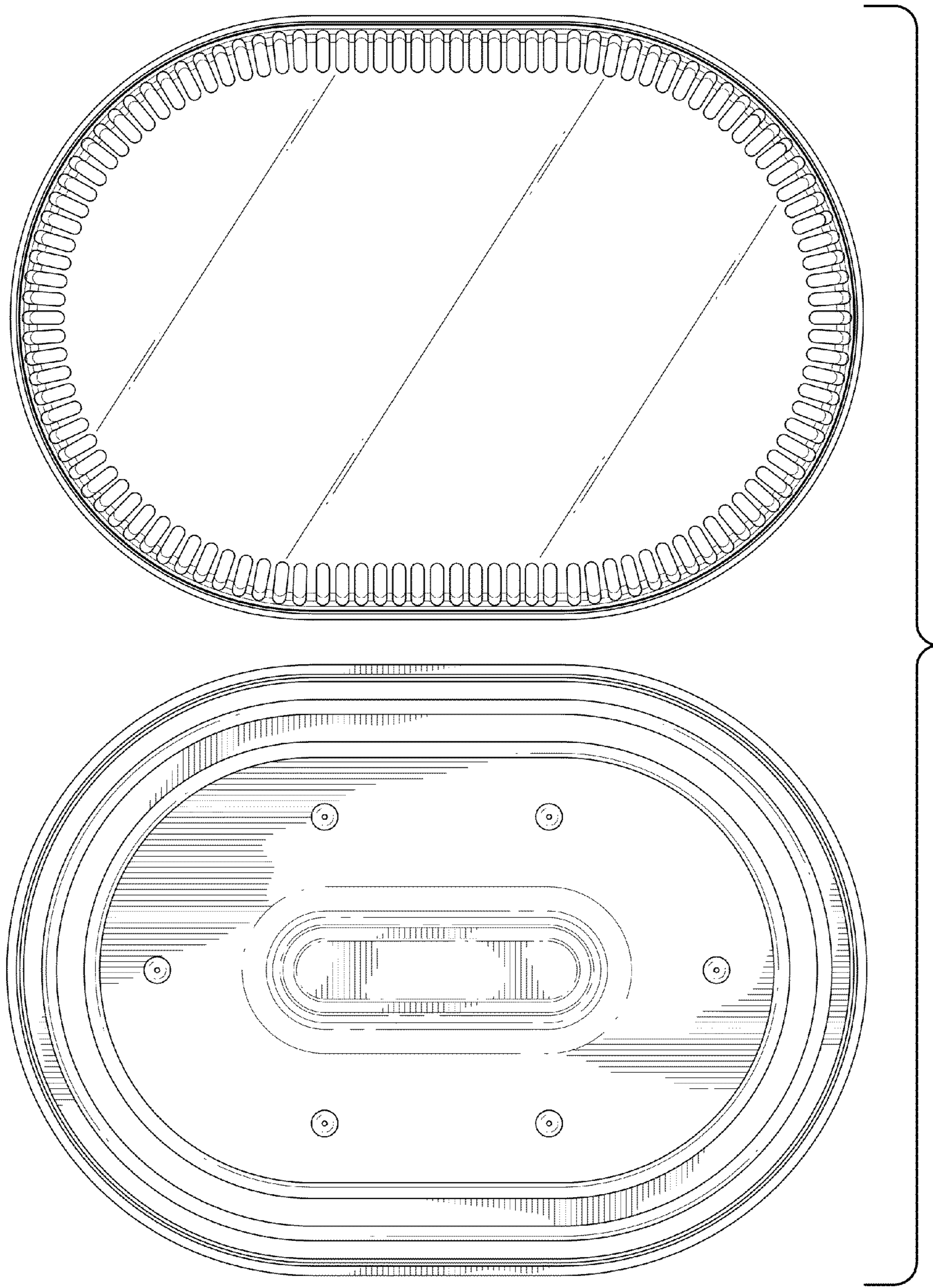


FIG. 6

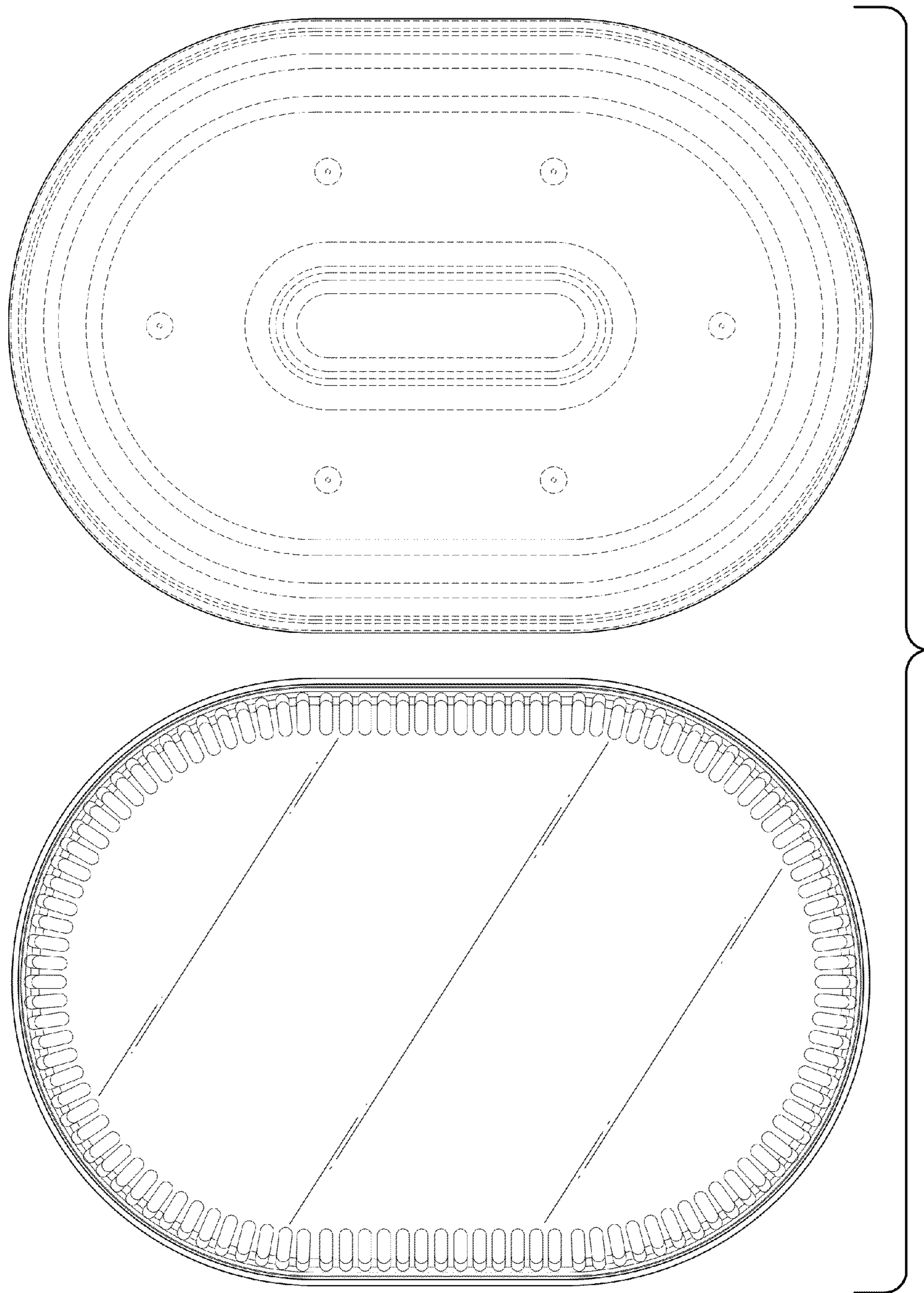


FIG. 7

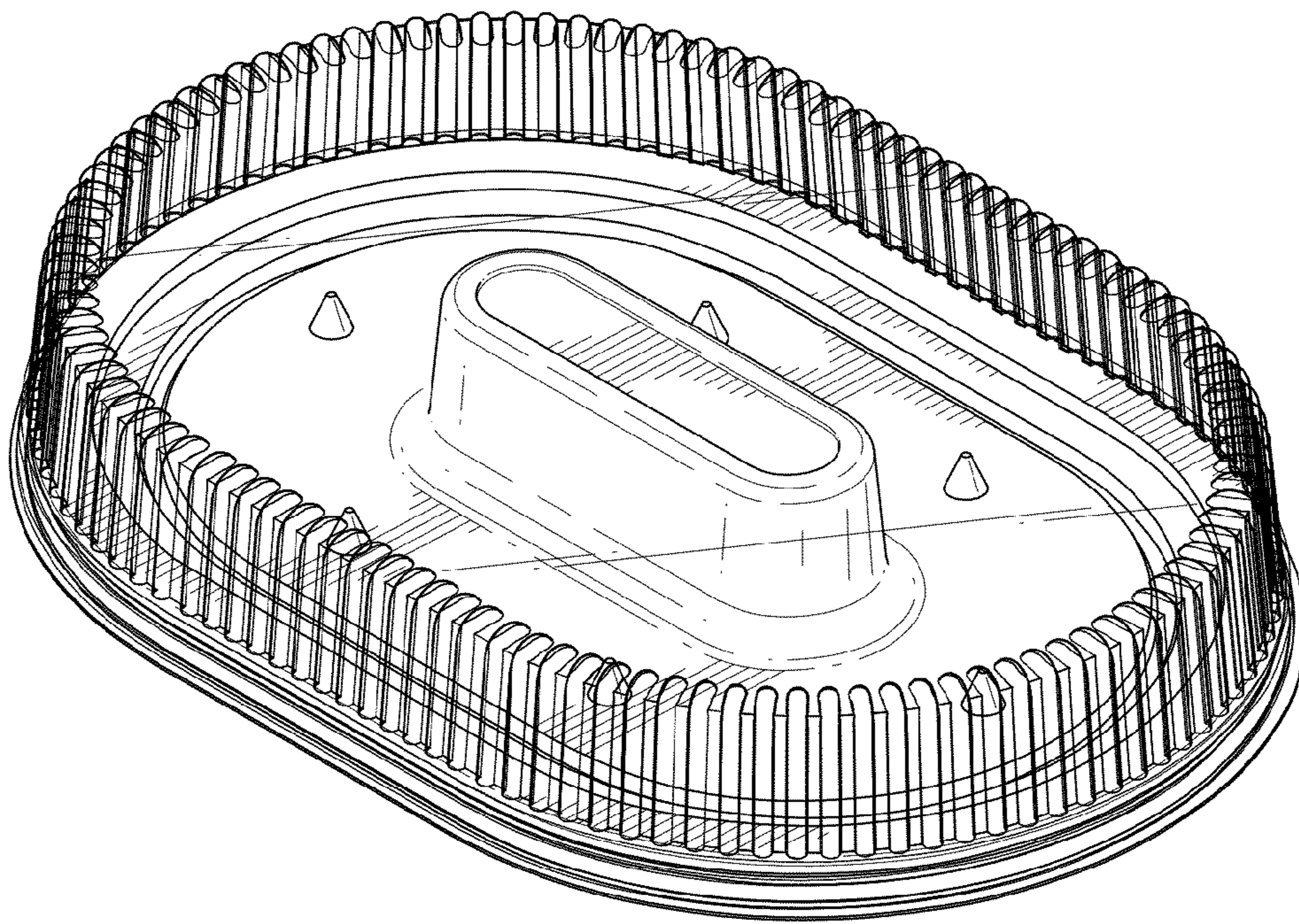


FIG.8