

US00D695111S

(12) **United States Design Patent**
Hansen et al.

(10) **Patent No.:** **US D695,111 S**
(45) **Date of Patent:** **** Dec. 10, 2013**

(54) **BEVERAGE CARTRIDGE**
(71) Applicants: **Nick Andrew Hansen**, Banbury (GB);
Mark Richard Thomas Norton, White Plains, NY (US)
(72) Inventors: **Nick Andrew Hansen**, Banbury (GB);
Mark Richard Thomas Norton, White Plains, NY (US)

3,070,275 A 12/1962 Bostrom
3,083,101 A 3/1963 Noury
D195,004 S 4/1963 Eicholtz
D195,005 S 4/1963 Eicholtz
D197,313 S * 1/1964 Wanderer D9/429
3,292,527 A 12/1966 Stasse
3,336,857 A 8/1967 Knodt et al.

(Continued)

FOREIGN PATENT DOCUMENTS

(73) Assignee: **Kraft Foods R&D, Inc.**, Northfield, IL (US)

CA 2421128 9/2003
CA 2674483 7/2008

(Continued)

(**) Term: **14 Years**

OTHER PUBLICATIONS

(21) Appl. No.: **29/433,078**

U.S. Appl. No. 13/612,528, filed Sep. 12, 2012, entitled Cartridges, Systems and Methods for Preparation of Beverages, 38 pages.

(22) Filed: **Sep. 25, 2012**

(Continued)

Related U.S. Application Data

(63) Continuation-in-part of application No. PCT/GB2012/050623, filed on Mar. 22, 2012.

Primary Examiner — Thomas Johannes

(74) *Attorney, Agent, or Firm* — Fitch, Even, Tabin & Flannery LLP

(30) **Foreign Application Priority Data**

Mar. 23, 2011 (GB) 1104910.3

(51) **LOC (9) Cl.** **09-03**

(52) **U.S. Cl.**
USPC **D9/429**

(58) **Field of Classification Search**
USPC D9/414, 418, 424, 425, 428, 429, 500;
D7/619, 629; 229/400-406, 932,
229/906.1; 220/656-659, 669-675, 912,
220/4.21-4.27; 206/553, 557, 541, 775,
206/776

See application file for complete search history.

(57) **CLAIM**

The ornamental design for a beverage cartridge, as shown and described.

DESCRIPTION

FIG. 1 is an upper front perspective view of a beverage cartridge showing our new design;
FIG. 2 is a front elevation view thereof;
FIG. 3 is a lower left side perspective view thereof;
FIG. 4 is a bottom plan view thereof;
FIG. 5 is a left side elevation view thereof;
FIG. 6 is a top plan view thereof;
FIG. 7 is a right side elevation view thereof; and,
FIG. 8 is a back elevation view thereof.

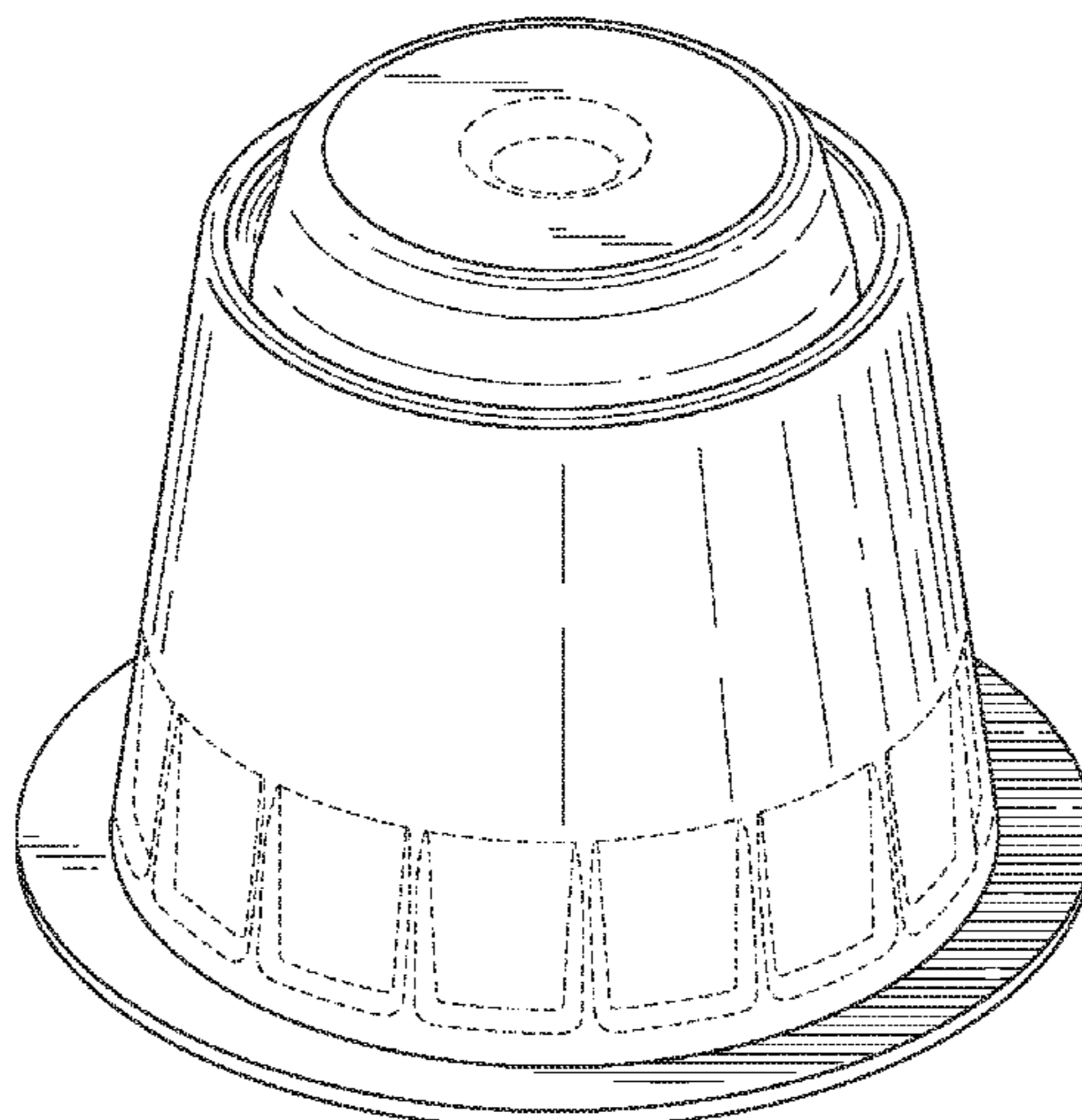
Broken line disclosures in the figures show unclaimed subject matter only and form no part of the claimed design.

(56) **References Cited**

U.S. PATENT DOCUMENTS

2,778,739 A 1/1957 Rodth
D190,530 S 6/1961 Bender et al.

1 Claim, 4 Drawing Sheets



(56)

References Cited

U.S. PATENT DOCUMENTS

3,398,836 A	8/1968	Hugentobler	5,398,595 A	3/1995	Fond et al.
3,403,617 A	10/1968	Lampe	5,398,596 A	3/1995	Fond
3,443,714 A	5/1969	Edwards	5,424,083 A	6/1995	Lozito
3,443,715 A	5/1969	Edwards	5,440,972 A	8/1995	English
3,445,237 A	5/1969	Gidge	5,472,719 A	12/1995	Favre
D216,870 S	3/1970	Gregor	5,531,152 A	7/1996	Gardosi
D221,418 S	8/1971	Kinney	5,603,254 A	2/1997	Fond et al.
3,607,297 A	9/1971	Fasano	D379,287 S	5/1997	Carlson
3,811,373 A	5/1974	Telco	5,637,335 A	6/1997	Fond et al.
3,812,273 A	5/1974	Schmidt	5,638,741 A	6/1997	Cisaria
3,823,656 A	7/1974	Vander Veken	D381,558 S	7/1997	Schaefer et al.
3,833,740 A	9/1974	Schmidt	5,649,412 A	7/1997	Binacchi
3,878,772 A	4/1975	Nordskog	5,649,472 A	7/1997	Fond et al.
D235,246 S	6/1975	Evans et al.	5,656,311 A	8/1997	Fond
3,937,134 A	2/1976	Molenaar et al.	5,656,316 A	8/1997	Fond
3,971,305 A	7/1976	Daswick	D394,005 S	5/1998	Marijnissen
D241,228 S	8/1976	Boduch	5,762,987 A	6/1998	Fond et al.
4,075,107 A	2/1978	Smith	5,776,527 A	7/1998	Blanc
4,094,234 A	6/1978	Olney et al.	5,794,519 A	8/1998	Fischer
D248,358 S	7/1978	Thomas	5,826,492 A	10/1998	Fond et al.
4,098,177 A	7/1978	Olney et al.	5,840,189 A	11/1998	Sylvan et al.
4,133,769 A	1/1979	Morgan	D408,679 S	4/1999	Potts et al.
4,136,202 A	1/1979	Favre	5,895,672 A	4/1999	Cooper
D255,529 S	6/1980	Dziekonski	5,897,899 A	4/1999	Fond
4,206,694 A	6/1980	Moskowitz et al.	5,899,137 A	5/1999	Miller et al.
D260,243 S	8/1981	Dogliotti	5,906,844 A	5/1999	Stahli et al.
4,306,492 A	12/1981	Zimmermann	5,921,168 A	7/1999	Nello
4,321,139 A	3/1982	Auclair	5,948,455 A	9/1999	Schaeffer et al.
4,334,640 A	6/1982	van Overbruggen et al.	5,952,028 A	9/1999	Lesser
4,362,623 A	12/1982	Holopainen	D415,024 S	10/1999	McCann
4,382,402 A	5/1983	Alvarez	D415,025 S	10/1999	McCann
4,417,504 A	11/1983	Yamamoto	5,974,950 A	11/1999	King
4,452,130 A	6/1984	Klein	6,009,792 A	1/2000	Kraan
D275,179 S *	8/1984	Spencer et al. D9/520	D419,821 S	2/2000	Powell et al.
4,471,689 A	9/1984	Piana	6,021,705 A	2/2000	Dijs
4,522,298 A	6/1985	Weinberger	6,024,000 A	2/2000	Fond et al.
4,724,752 A	2/1988	Aliesch et al.	6,025,000 A	2/2000	Fond et al.
4,738,378 A	4/1988	Oakley et al.	6,062,127 A	5/2000	Klosinski et al.
4,775,048 A	10/1988	Baecchi et al.	6,068,871 A	5/2000	Fond et al.
4,800,089 A	1/1989	Scott	6,079,315 A	6/2000	Beaulieu et al.
4,818,544 A	4/1989	Seward	6,082,247 A	7/2000	Beaulicu
4,846,052 A	7/1989	Favre et al.	D429,446 S	8/2000	Toussant et al.
4,853,234 A	8/1989	Bentley et al.	6,109,168 A	8/2000	Illy et al.
4,859,337 A	8/1989	Woltermann	6,117,471 A	9/2000	King
4,867,993 A	9/1989	Nordskog	6,142,063 A	11/2000	Beaulieu et al.
4,873,915 A	10/1989	Newman et al.	6,170,386 B1	1/2001	Paul
4,875,408 A	10/1989	McGee	6,182,554 B1	2/2001	Beaulieu et al.
4,886,674 A	12/1989	Seward et al.	6,186,051 B1	2/2001	Aarts
D306,928 S	3/1990	Hanna	6,189,438 B1	2/2001	Bielfeldt et al.
D306,974 S	4/1990	Tholstrup	D438,794 S	3/2001	Miles et al.
4,920,870 A	5/1990	Newman et al.	6,240,832 B1	6/2001	Schmed et al.
4,921,712 A	5/1990	Malmquist	6,245,371 B1	6/2001	Gutwein et al.
4,975,292 A	12/1990	Loizzi	D445,674 S	7/2001	Pritchett
4,990,352 A	2/1991	Newman et al.	D445,677 S	7/2001	Lindsay et al.
5,043,172 A	8/1991	Loizzi	6,289,948 B1	9/2001	Jeannin et al.
5,072,660 A	12/1991	Helbling	D450,240 S	11/2001	Haag et al.
5,082,676 A	1/1992	Love et al.	D452,433 S	12/2001	Lazaris
5,108,768 A	4/1992	So	D452,434 S	12/2001	Sweeney
5,134,924 A	8/1992	Vicker	6,347,725 B1	2/2002	Yoakim et al.
5,150,645 A	9/1992	Schiettecatte	6,358,545 B1	3/2002	Chandler et al.
5,178,058 A	1/1993	van Dort et al.	6,405,637 B1	6/2002	Cai
5,197,374 A	3/1993	Fond	6,440,256 B1	8/2002	Gordon et al.
5,242,702 A	9/1993	Fond	D462,865 S	9/2002	Honan et al.
5,243,164 A	9/1993	Erickson et al.	D462,900 S	9/2002	Yamada et al.
5,259,295 A	11/1993	Timm	D465,154 S	11/2002	O'Brien
D342,447 S	12/1993	Aylward	6,499,388 B2	12/2002	Schmed
5,272,960 A	12/1993	Kinna	D474,110 S	5/2003	Sweeney
5,279,442 A	1/1994	Jentzsch et al.	D474,111 S	5/2003	Lazaris
5,287,797 A	2/1994	Grykiewicz et al.	6,589,577 B2	7/2003	Lazaris et al.
5,298,267 A	3/1994	Gruenbacher	6,606,938 B2	8/2003	Taylor
5,325,765 A	7/1994	Sylvan et al.	6,607,762 B2	8/2003	Lazaris et al.
5,327,815 A	7/1994	Fond et al.	6,612,224 B2	9/2003	Mercier et al.
5,343,799 A	9/1994	Fond	6,644,173 B2	11/2003	Lazaris et al.
5,347,916 A	9/1994	Fond et al.	6,645,537 B2	11/2003	Sweeney et al.
5,363,745 A	11/1994	Lin	6,655,260 B2	12/2003	Lazaris et al.
			6,658,989 B2	12/2003	Sweeney et al.
			6,666,130 B2	12/2003	Taylor et al.
			6,672,200 B2	1/2004	Duffy et al.
			6,698,228 B2	3/2004	Kateman et al.

(56)

References Cited

U.S. PATENT DOCUMENTS

6,698,333 B2	3/2004	Halliday et al.	8,425,964 B2	4/2013	Dogliani Majer
6,708,600 B2	3/2004	Winkler et al.	2001/0047724 A1	12/2001	Lazaris et al.
D489,215 S	5/2004	Honan et al.	2001/0048957 A1	12/2001	Lazaris et al.
6,740,345 B2	5/2004	Cai	2002/0015768 A1	2/2002	Masek et al.
6,758,130 B2	7/2004	Sargent et al.	2002/0020659 A1	2/2002	Sweeney et al.
6,786,134 B2	9/2004	Green	2002/0023543 A1	2/2002	Schmed
6,786,136 B2	9/2004	Cirigliano et al.	2002/0048621 A1	4/2002	Boyd et al.
6,810,788 B2	11/2004	Hale	2002/0078831 A1	6/2002	Cai
6,832,542 B2	12/2004	Hu et al.	2002/0088807 A1	7/2002	Perkovic et al.
6,849,285 B2	2/2005	Masek et al.	2002/0121197 A1	9/2002	Mercier et al.
D502,362 S	3/2005	Lazaris et al.	2002/0121198 A1	9/2002	Kollep et al.
D506,926 S	7/2005	Halliday et al.	2002/0129712 A1	9/2002	Westbrook et al.
6,935,222 B2	8/2005	Chen et al.	2002/0134249 A1	9/2002	Melton
6,941,855 B2	9/2005	Denisart et al.	2002/0144603 A1	10/2002	Taylor
6,948,420 B2	9/2005	Kirschner et al.	2002/0144604 A1	10/2002	Winkler et al.
D510,679 S *	10/2005	Smith et al. D7/396.2	2002/0148356 A1	10/2002	Lazaris et al.
D513,152 S	12/2005	Cahen	2002/0148357 A1	10/2002	Lazaris et al.
D513,572 S	1/2006	Schaffeld et al.	2002/0185010 A1	12/2002	Spiteri
D520,185 S	5/2006	Zeng et al.	2003/0005826 A1	1/2003	Sargent et al.
7,063,238 B2	6/2006	Hale	2003/0039731 A1	2/2003	Dalton et al.
7,165,488 B2	1/2007	Bragg et al.	2003/0056655 A1	3/2003	Kollep et al.
D539,643 S	4/2007	Abel	2003/0066431 A1	4/2003	Fanzutti et al.
7,213,506 B2	5/2007	Halliday et al.	2003/0145736 A1	8/2003	Green
7,219,598 B2	5/2007	Halliday et al.	2003/0172813 A1	9/2003	Schifferle
D544,299 S	6/2007	Schaffeld et al.	2003/0217643 A1	11/2003	Masek et al.
7,243,598 B2	7/2007	Halliday et al.	2003/0222089 A1	12/2003	Hale
7,255,039 B2	8/2007	Halliday et al.	2004/0045443 A1	3/2004	Lazaris et al.
7,287,461 B2	10/2007	Halliday et al.	2004/0163543 A1	8/2004	Hu et al.
7,308,851 B2	12/2007	Halliday et al.	2004/0228955 A1	11/2004	Denisart et al.
7,322,277 B2	1/2008	Halliday et al.	2005/0051478 A1	3/2005	Karanikos et al.
7,325,479 B2	2/2008	Laigneau et al.	2005/0150390 A1	7/2005	Schifferle
7,328,651 B2	2/2008	Halliday et al.	2005/0172822 A1	8/2005	Macchi et al.
7,335,387 B2	2/2008	Hayes et al.	2005/0183581 A1	8/2005	Kirschner et al.
7,347,138 B2	3/2008	Bragg et al.	2005/0205601 A1	9/2005	Taylor
7,360,418 B2	4/2008	Pelovitz	2005/0217213 A1	10/2005	Lozinski et al.
7,377,162 B2	5/2008	Lazaris	2005/0223904 A1	10/2005	Laigneau et al.
7,398,726 B2	7/2008	Streeter et al.	2005/0237793 A1	10/2005	Zurcher et al.
7,418,899 B2	9/2008	Halliday et al.	2005/0241489 A1	11/2005	Kirschner et al.
7,444,925 B2	11/2008	Mahlich	2005/0266122 A1	12/2005	Franceschi
7,490,542 B2	2/2009	Macchi et al.	2005/0287251 A1	12/2005	Lazaris et al.
7,513,192 B2	4/2009	Sullivan et al.	2006/0107841 A1	5/2006	Schifferle
7,523,695 B2	4/2009	Streeter et al.	2006/0174773 A1	8/2006	Taylor
D592,529 S	5/2009	Friebe et al.	2006/0236871 A1	10/2006	Ternite et al.
7,533,603 B2	5/2009	Halliday et al.	2006/0292012 A1	12/2006	Brudevold et al.
7,533,604 B2	5/2009	Halliday et al.	2007/0186784 A1	8/2007	Liverani
7,552,672 B2	6/2009	Schmed	2008/0095904 A1	4/2008	Sullivan et al.
7,604,826 B2	10/2009	Denisart et al.	2008/0115674 A1	5/2008	Huang et al.
D605,502 S	12/2009	Honda et al.	2008/0134902 A1	6/2008	Zimmerman et al.
D606,363 S	12/2009	Aardenburg	2008/0264267 A1	10/2008	Dogliani
7,640,843 B2	1/2010	Halliday et al.	2009/0007792 A1	1/2009	Glucksman
7,640,845 B2	1/2010	Woodnorth et al.	2009/0007793 A1	1/2009	Glucksman et al.
7,658,141 B2	2/2010	Masek et al.	2009/0175986 A1	7/2009	Majer
D621,698 S	8/2010	Cometto	2009/0220650 A1	9/2009	Ozanne
7,793,585 B2	9/2010	Rasmussen et al.	2010/0006205 A1	1/2010	McCowin et al.
7,815,953 B2	10/2010	Mastropasqua et al.	2010/0024658 A1	2/2010	Jacobs et al.
D628,476 S *	12/2010	Vang D9/428	2010/0028495 A1	2/2010	Novak et al.
D628,883 S *	12/2010	Stephens D9/429	2010/0043644 A1	2/2010	Suggi et al.
7,921,766 B2	4/2011	Halliday et al.	2010/0043645 A1	2/2010	Suggi et al.
D637,484 S	5/2011	Winkler	2010/0064899 A1	3/2010	Aardenburg
D638,290 S	5/2011	Cimmerer et al.	2010/0072268 A1	3/2010	Johnson et al.
D640,100 S	6/2011	Shing	2010/0239733 A1	9/2010	Yoakim et al.
D640,547 S	6/2011	Guillemin et al.	2010/0288131 A1	11/2010	Kilber et al.
D641,592 S	7/2011	Davis	2010/0303964 A1	12/2010	Beaulieu et al.
D642,454 S	8/2011	Santoiemmo	2011/0030563 A9	2/2011	Dogliani
D645,340 S *	9/2011	Menard et al. D9/428	2011/0076361 A1	3/2011	Peterson et al.
8,025,210 B2 *	9/2011	Johnson et al. 229/403	2011/0097450 A1	4/2011	Kruger
D647,398 S	10/2011	Winkler	2011/0151075 A1	6/2011	Peterson
D647,399 S	10/2011	Winkler	2011/0200726 A1	8/2011	Tinkler et al.
D649,870 S	12/2011	Cometto	2011/0226343 A1	9/2011	Novak et al.
8,109,200 B2	2/2012	Hansen	2011/0274802 A1	11/2011	Rivera
8,151,694 B2	4/2012	Jacobs et al.	2012/0006205 A1	1/2012	Vanni
D658,493 S	5/2012	Cometto	2012/0118166 A1	5/2012	Macchi
8,168,247 B2	5/2012	Halliday et al.	2012/0308688 A1	12/2012	Peterson et al.
8,307,754 B2	11/2012	Ternite et al.	2012/0318810 A1 *	12/2012	Hodge et al. 220/671
8,361,527 B2	1/2013	Winkler et al.	2012/0321756 A1	12/2012	Estabrook et al.
			2013/0059039 A1	3/2013	Trombetta et al.
			2013/0101716 A1	4/2013	Beaulieu et al.

(56)

References Cited

U.S. PATENT DOCUMENTS

FOREIGN PATENT DOCUMENTS

CA	2701826	1/2009
DE	2029552	12/1971
DE	3432339	3/1986
EP	0272922	6/1988
EP	0334571	9/1989
EP	0334572	9/1989
EP	0451980	10/1991
EP	0455337	11/1991
EP	0524464	1/1993
EP	554469	8/1993
EP	0638486	2/1995
EP	1042978	10/2000
EP	1208782	5/2002
EP	1255685	11/2002
EP	1440644	7/2004
EP	1440913	7/2004
EP	1529739	5/2005
EP	1580143	9/2005
EP	1792849	6/2007
EP	2119640	11/2009
EP	2230195	9/2010
EP	2239212	10/2010
EP	2284102	2/2011
EP	2287090	2/2011
EP	2404844	1/2012
FR	2946854	12/2010
GB	838829	6/1960
GB	2023086	12/1979
GB	2488799	9/2012
GB	2489409	10/2012
GB	2491154	11/2012
JP	2000355375	12/2000
JP	2001061663	3/2001
JP	2009517158	4/2009
WO	0158786	8/2001
WO	0160219	8/2001
WO	0160220	8/2001

WO	0160712	8/2001
WO	2002058522	8/2002
WO	02074143	9/2002
WO	02074661	9/2002
WO	02082962	10/2002
WO	03059778	7/2003
WO	03073896	9/2003
WO	2004006740	1/2004
WO	2004083071	9/2004
WO	2006008243	1/2006
WO	2006030461	3/2006
WO	2007095294	8/2007
WO	2007122144	11/2007
WO	2008116818	10/2008
WO	2008136026	11/2008
WO	2009110783	9/2009
WO	2009115475	9/2009
WO	2010138563	2/2010
WO	2010038213	4/2010
WO	2010046923	4/2010
WO	2010085824	5/2010
WO	2010093246	8/2010
WO	2010106516	9/2010
WO	2010115970	10/2010
WO	2010128844	11/2010
WO	2010134036	11/2010
WO	2010137952	12/2010
WO	2012122329	9/2012
WO	2012127233	9/2012
WO	2012160342	11/2012

OTHER PUBLICATIONS

U.S. Appl. No. 13/612,487, filed Sep. 12, 2012, entitled Cartridges, Systems and Methods for Preparation of Beverages, 30 page.
 U.S. Appl. No. 29/431,998, filed Sep. 12, 2012, entitled "Beverage Cartridge," 9 pages.
 U.S. Appl. No. 29/431,718, filed Sep. 10, 2012, entitled "Beverage Cartridge," 18 pages.
 U.S. Appl. No. 29/431,716, filed Sep. 10, 2012, entitled "Beverage Cartridge," 12 pages.

* cited by examiner

FIG. 1

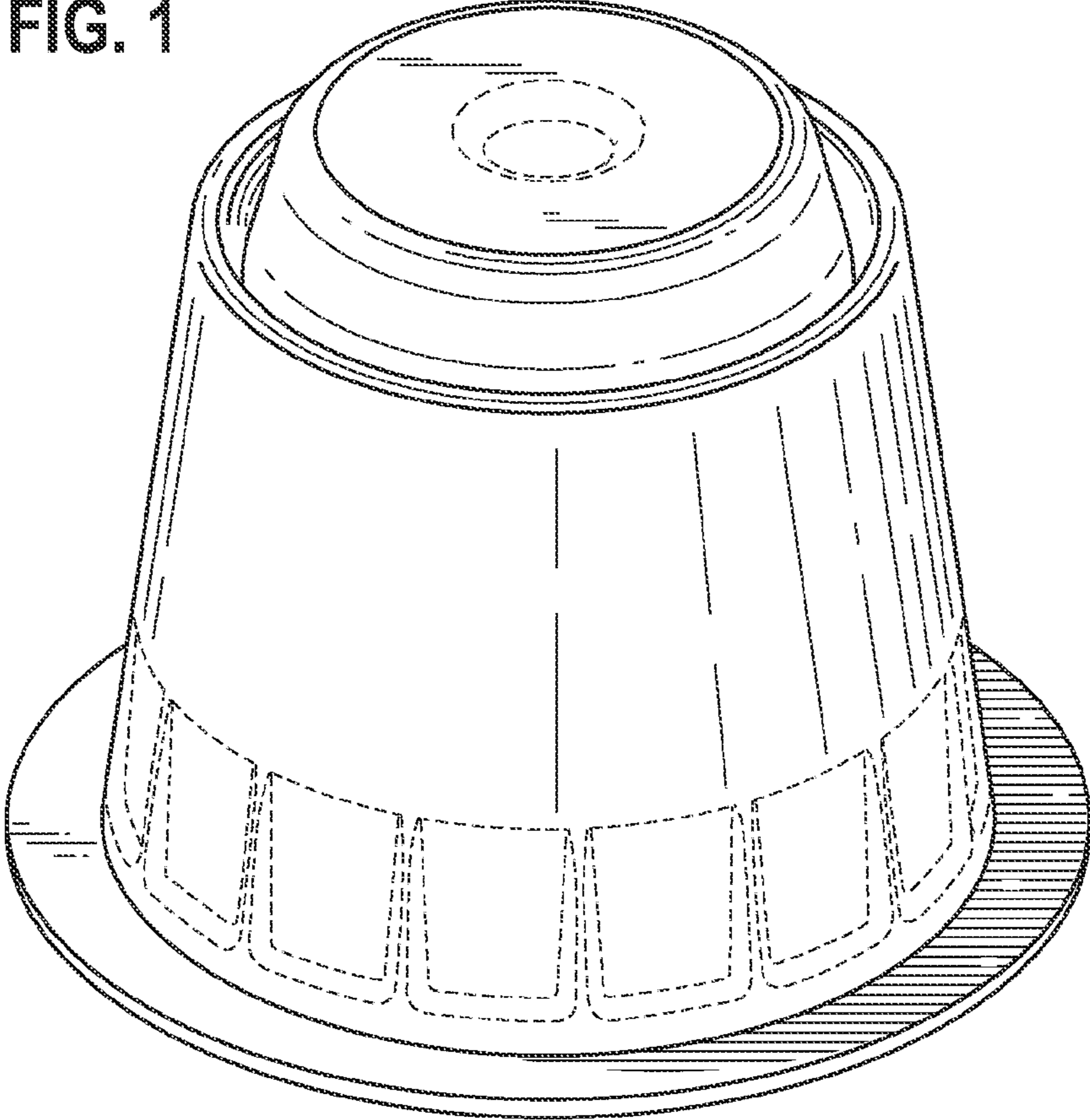


FIG. 2

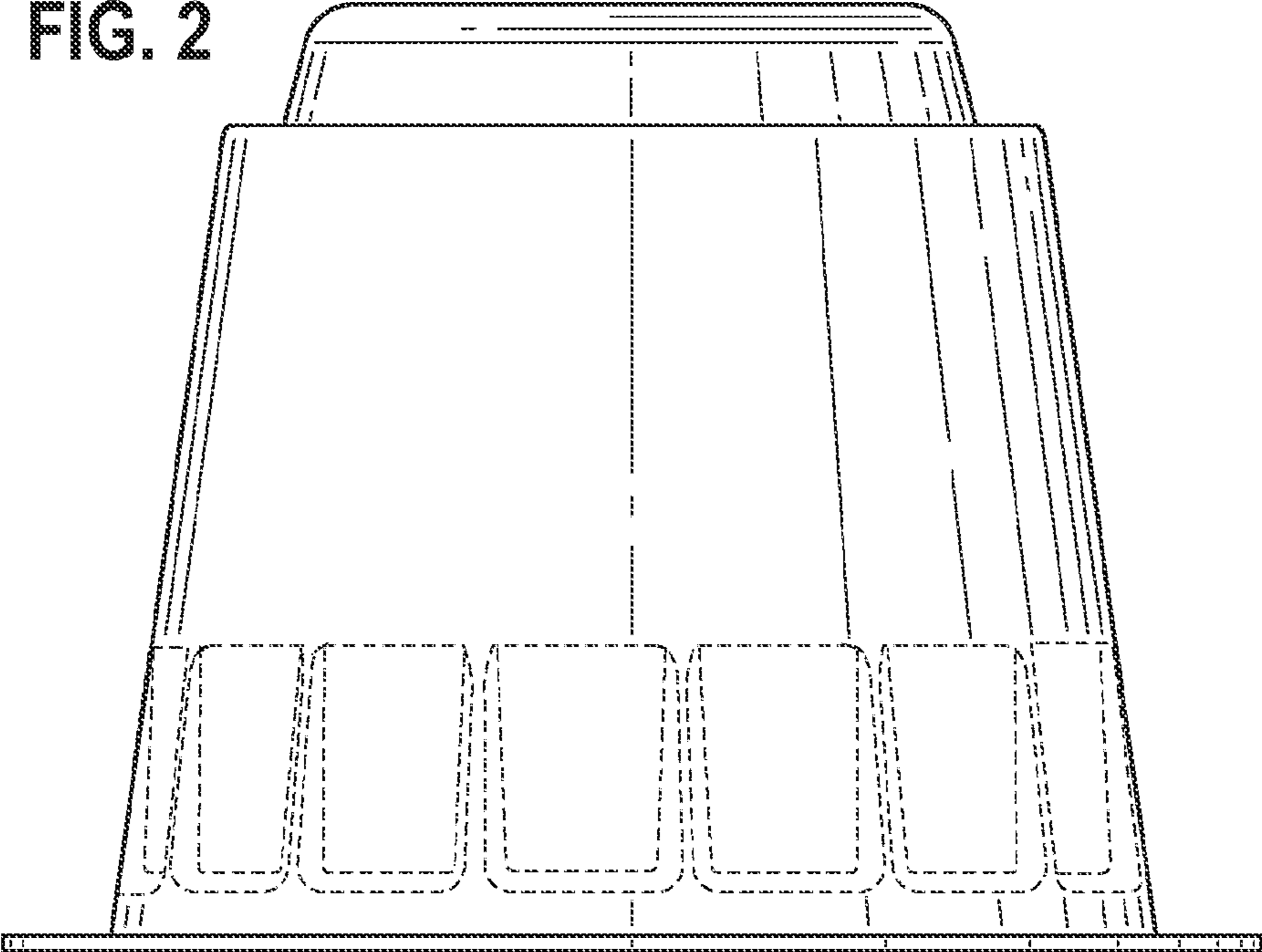


FIG. 3

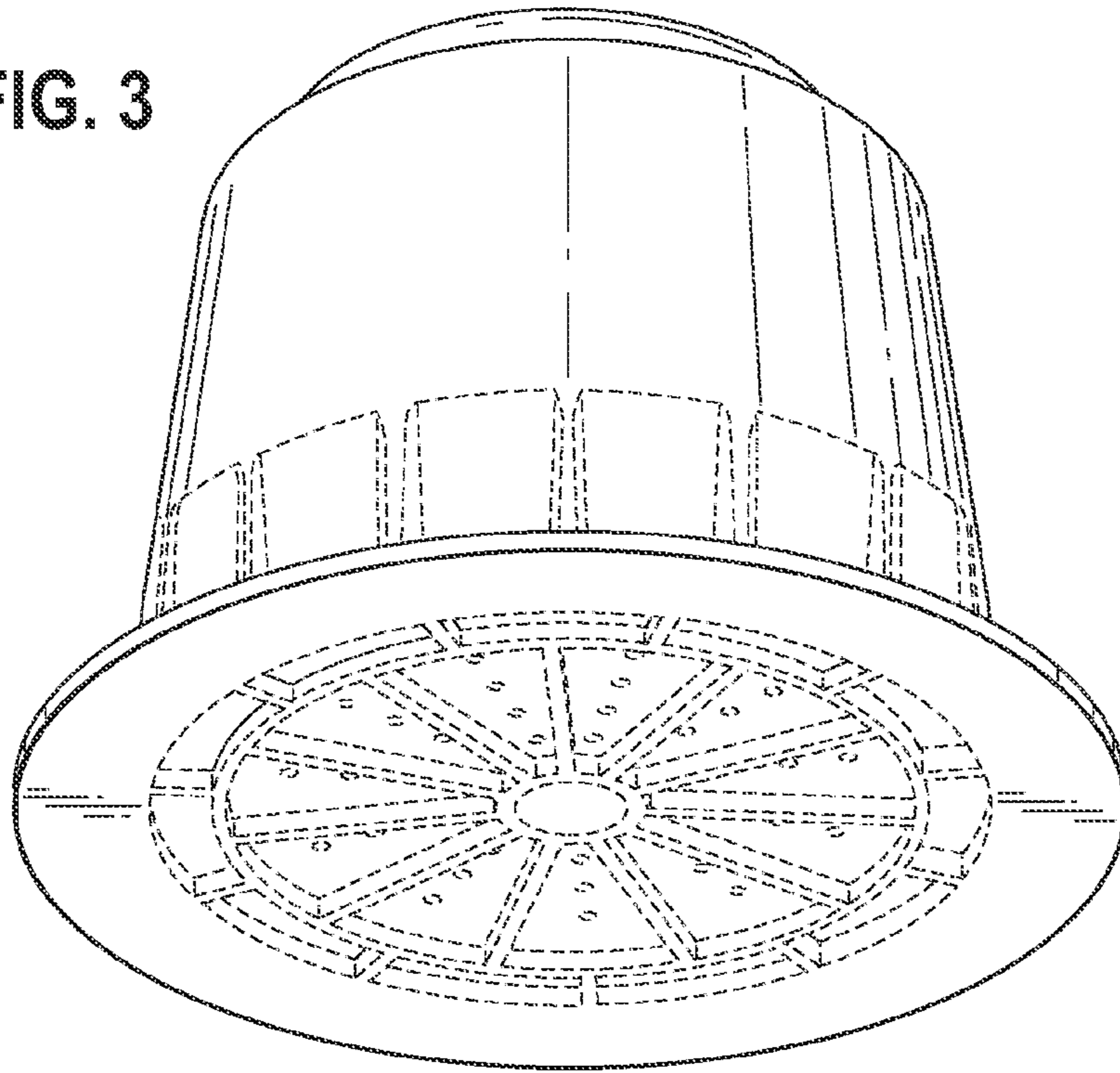


FIG. 4

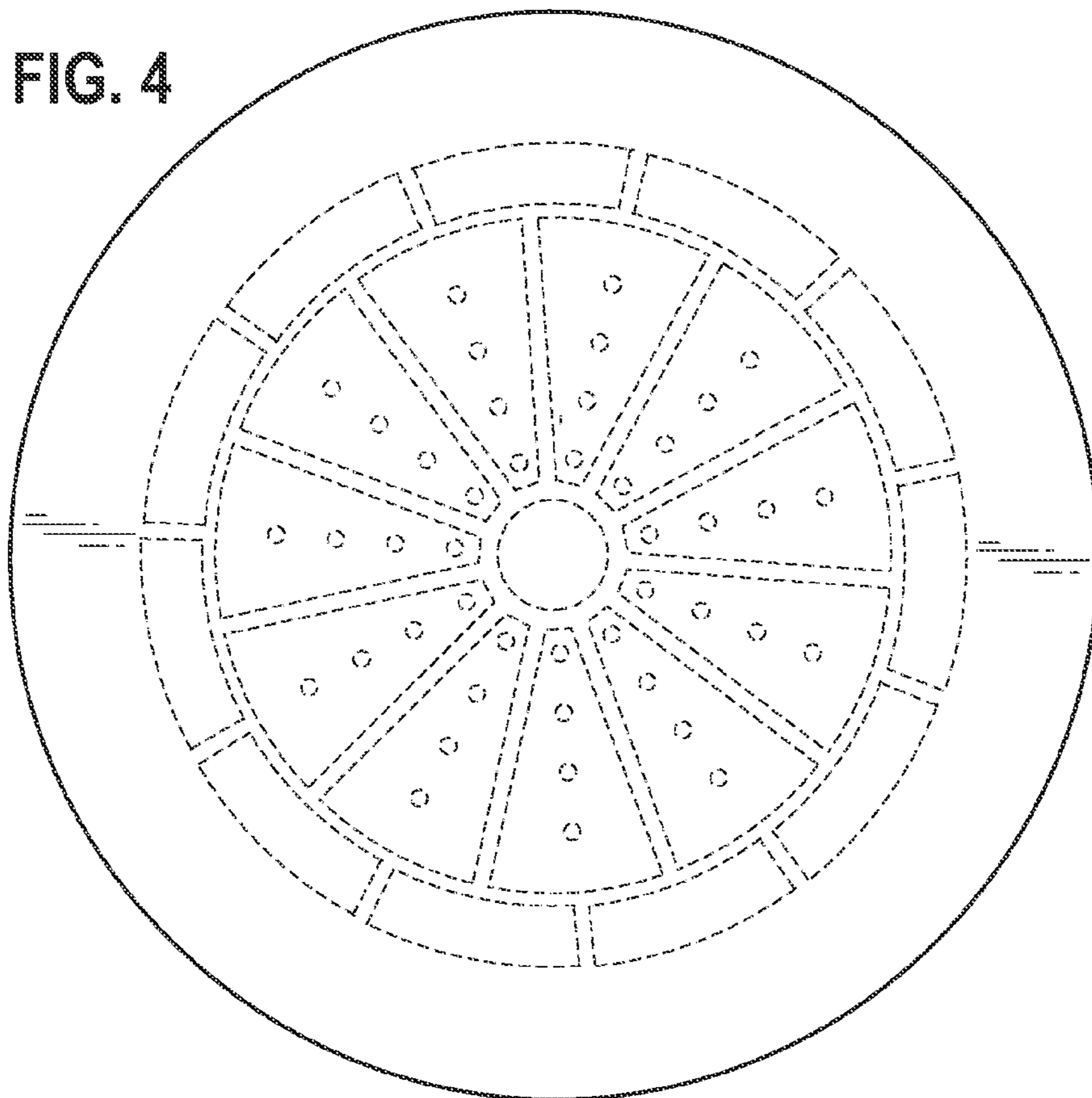


FIG. 5

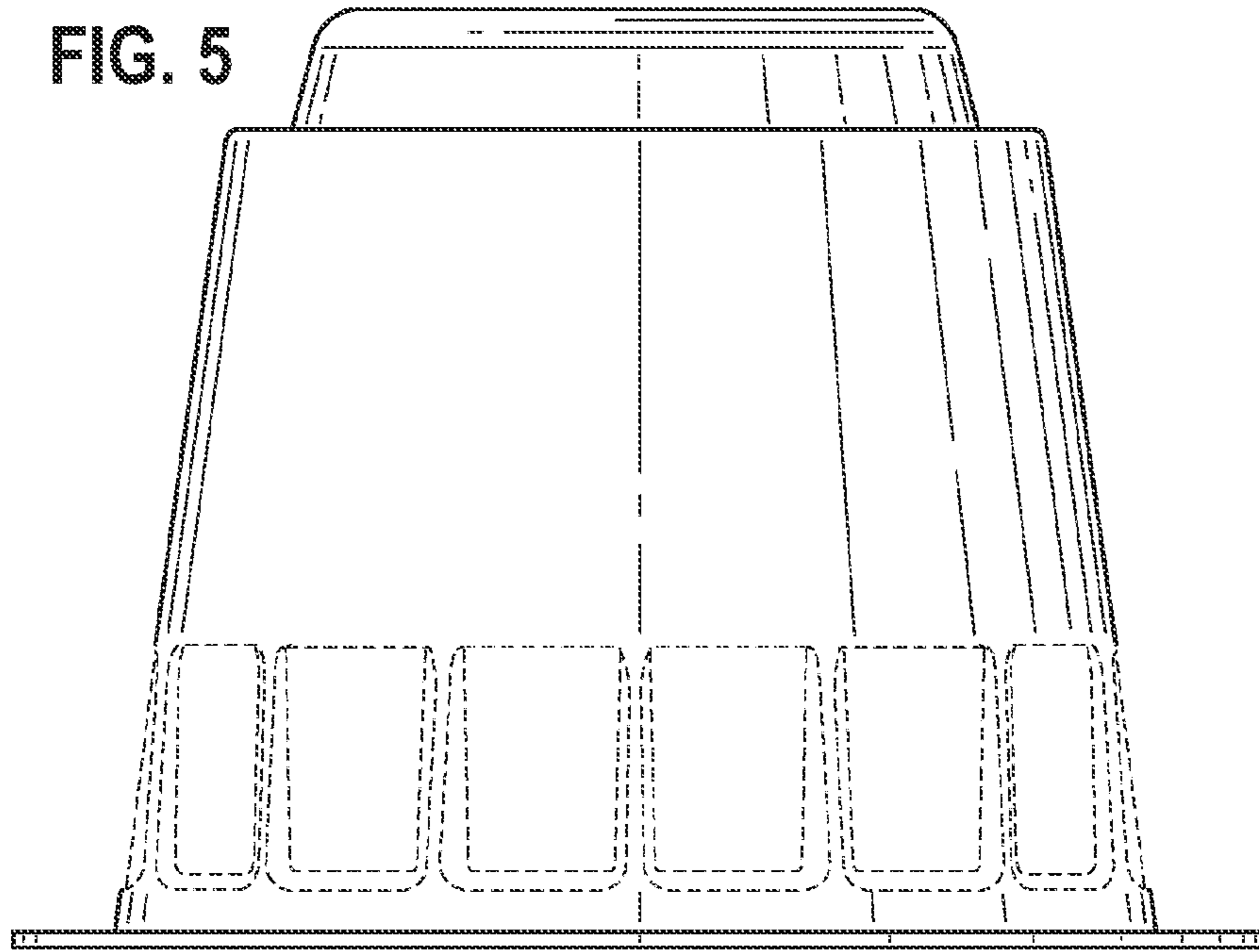


FIG. 6

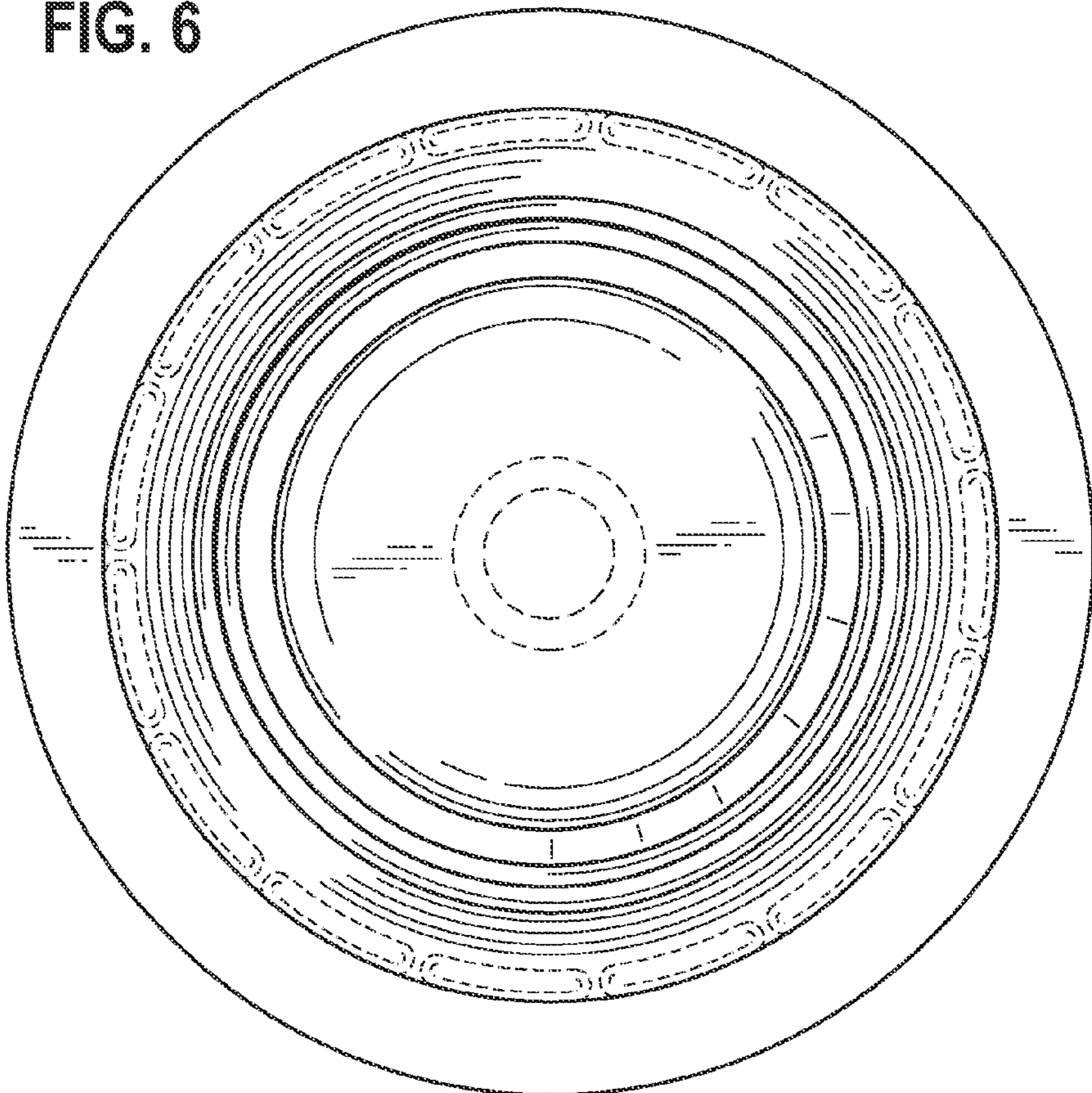


FIG. 7

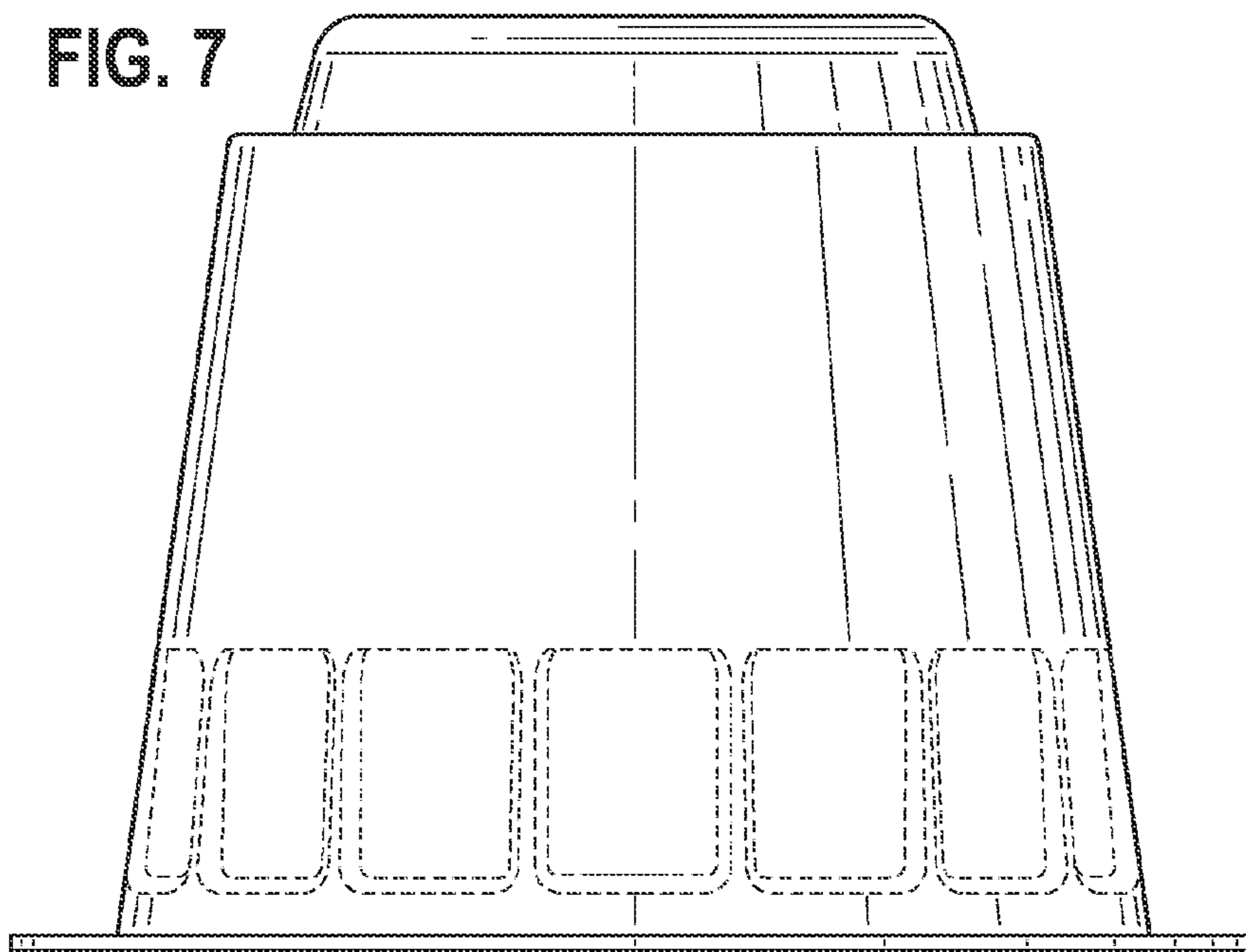


FIG. 8

