



US00D695110S

(12) **United States Design Patent**  
**Houlton et al.**

(10) **Patent No.:** **US D695,110 S**

(45) **Date of Patent:** **\*\* Dec. 10, 2013**

(54) **CONTAINER**

(75) Inventors: **Simon Houlton**, Richmond Hill (CA);  
**Gabriel Fekete**, Mississauga (CA);  
**Jason Collins**, Richmond Hill (CA);  
**Robert Barrett**, Toronto (CA)

(73) Assignee: **Polytainers Inc.**, Toronto (CA)

(\*\*) Term: **14 Years**

(21) Appl. No.: **29/409,398**

(22) Filed: **Dec. 22, 2011**

(30) **Foreign Application Priority Data**

Jun. 22, 2011 (CA) ..... 141115

(51) **LOC (9) Cl.** ..... **09-03**

(52) **U.S. Cl.**  
USPC ..... **D9/428; D9/500**

(58) **Field of Classification Search**  
USPC ..... D9/414, 418, 424, 425, 428, 429, 500;  
D7/619, 629; 229/400-406, 932,  
229/906.1; 220/656-659, 669-675, 912,  
220/4.21-4.27; 206/553, 557, 541, 775,  
206/776

See application file for complete search history.

(56) **References Cited**

**U.S. PATENT DOCUMENTS**

2,828,789 A \* 4/1958 Geisler et al. .... 220/783  
3,128,029 A \* 4/1964 Price et al. .... 229/400  
D206,358 S \* 11/1966 Griese, Jr. .... D9/428  
3,347,411 A \* 10/1967 Kalata et al. .... 206/519  
3,420,397 A \* 1/1969 Miller ..... 220/203.09  
3,527,020 A \* 9/1970 Mancini ..... 53/282  
D221,625 S \* 8/1971 Kinney et al. .... D9/428  
D241,228 S \* 8/1976 Boduch ..... D9/428  
D248,916 S \* 8/1978 Reynolds et al. .... D7/523  
4,193,494 A \* 3/1980 Green ..... 206/217

D280,075 S \* 8/1985 Haag, Sr. .... D9/778  
4,685,273 A \* 8/1987 Caner et al. .... 53/440  
D606,363 S \* 12/2009 Aardenburg ..... D7/400  
D647,396 S \* 10/2011 Facchina et al. .... D9/428  
D652,266 S \* 1/2012 Smyers ..... D7/630  
D675,089 S \* 1/2013 Cook et al. .... D9/428  
D675,090 S \* 1/2013 Cook et al. .... D9/428  
D675,091 S \* 1/2013 Cook et al. .... D9/428

\* cited by examiner

*Primary Examiner* — Thomas Johannes

(74) *Attorney, Agent, or Firm* — McMillan LLP

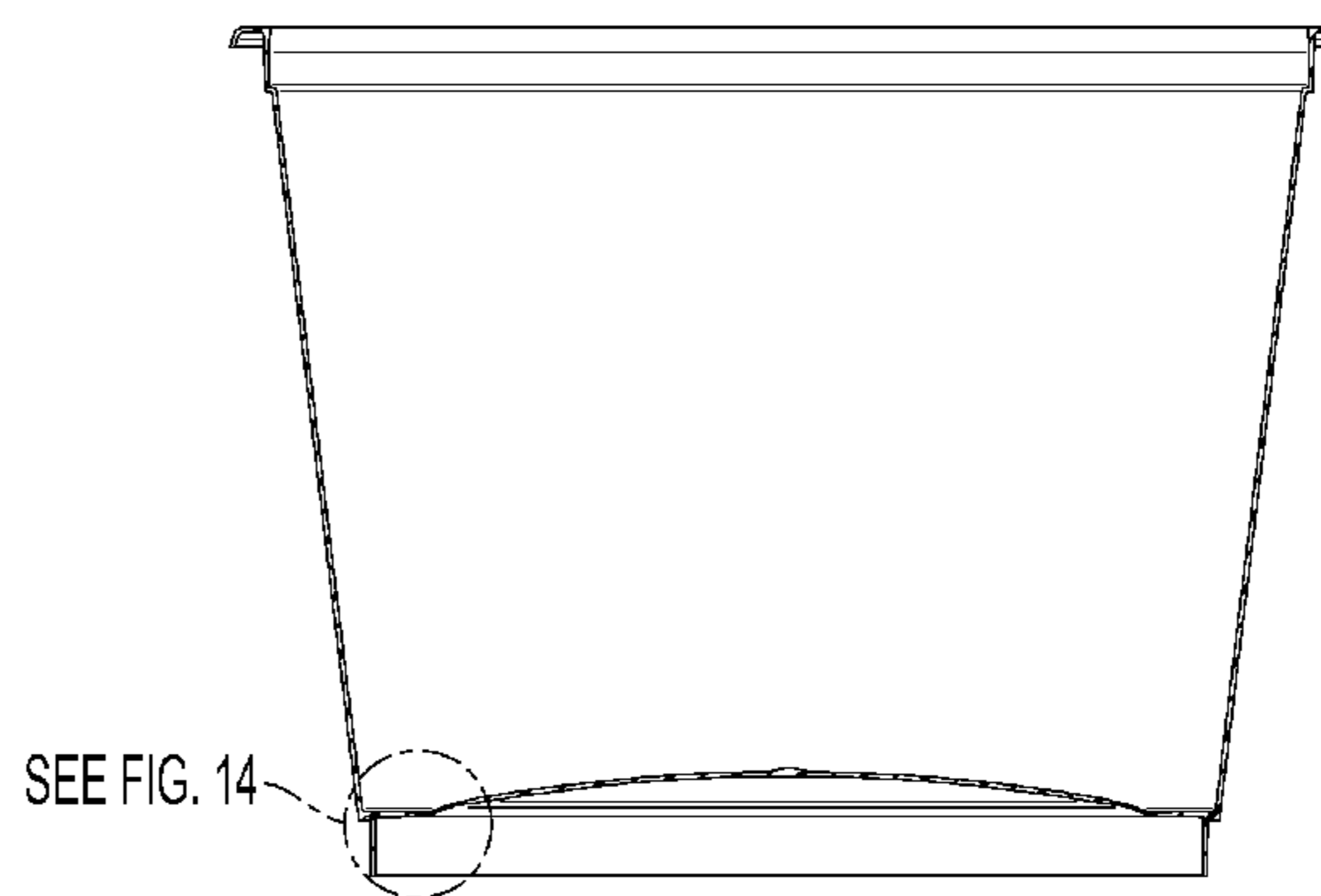
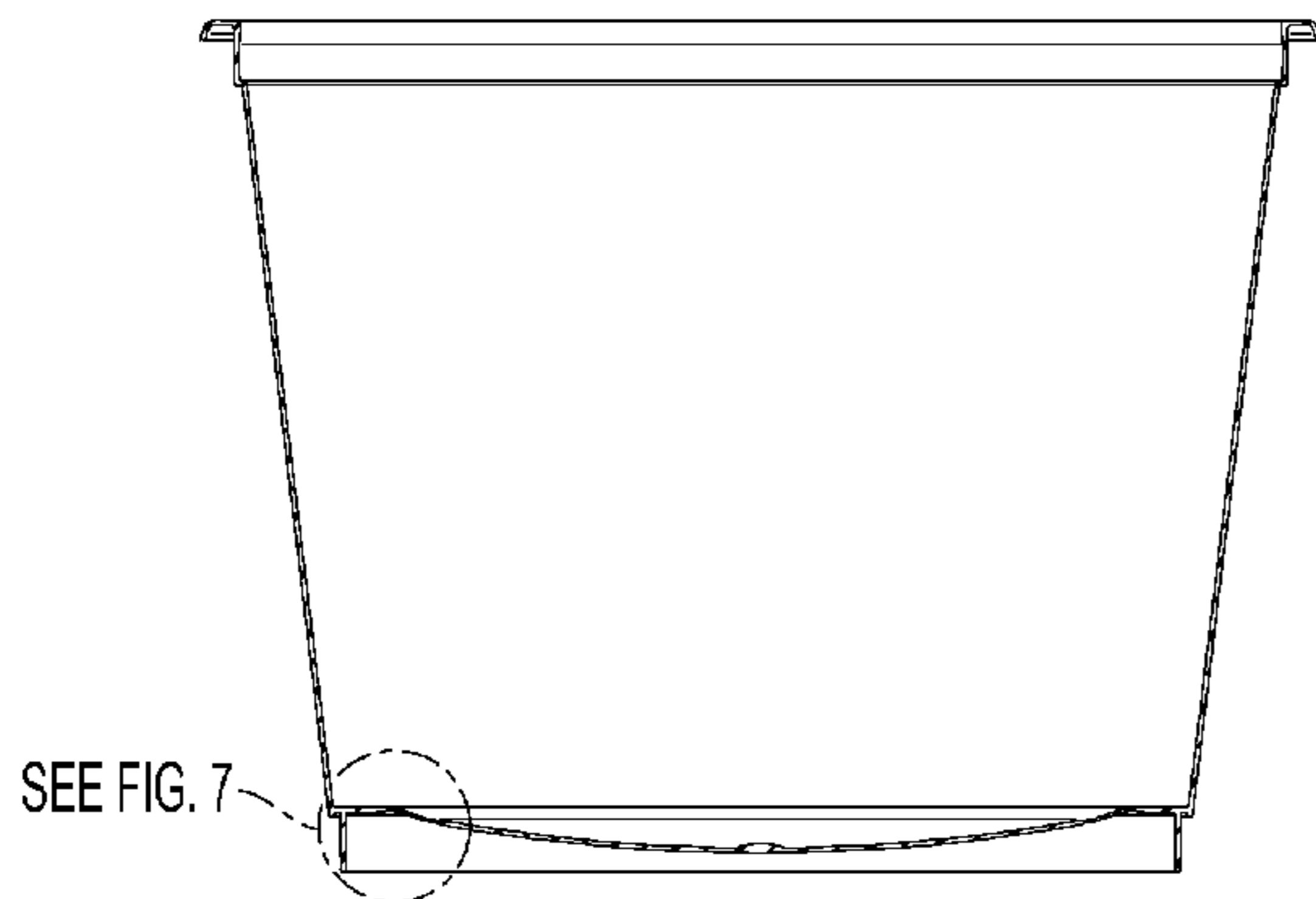
(57) **CLAIM**

The ornamental design for a container, as shown and described.

**DESCRIPTION**

FIG. 1 is a perspective view taken from the bottom of a container showing our new design in a first usage position; FIG. 2 is a front elevation thereof; FIG. 3 is a side elevation view thereof; FIG. 4 is a top plan view thereof; FIG. 5 is a bottom plan view thereof; FIG. 6 is a sectional view thereof taken in the direction of line 6-6 of FIG. 2; FIG. 7 is a magnified, fragmentary view thereof; FIG. 8 is a perspective view taken from the bottom of a container showing our new design in a second usage position; FIG. 9 is a front elevation view thereof; FIG. 10 is a side elevation thereof; FIG. 11 is a top plan view thereof; FIG. 12 is a bottom plan view thereof; FIG. 13 is a sectional view taken in the direction of line 13-13 of FIG. 9; and, FIG. 14 is a magnified, fragmentary view thereof. The broken lines are used to define cross-sections and to isolate magnified areas only and form no part of the claimed design.

**1 Claim, 12 Drawing Sheets**



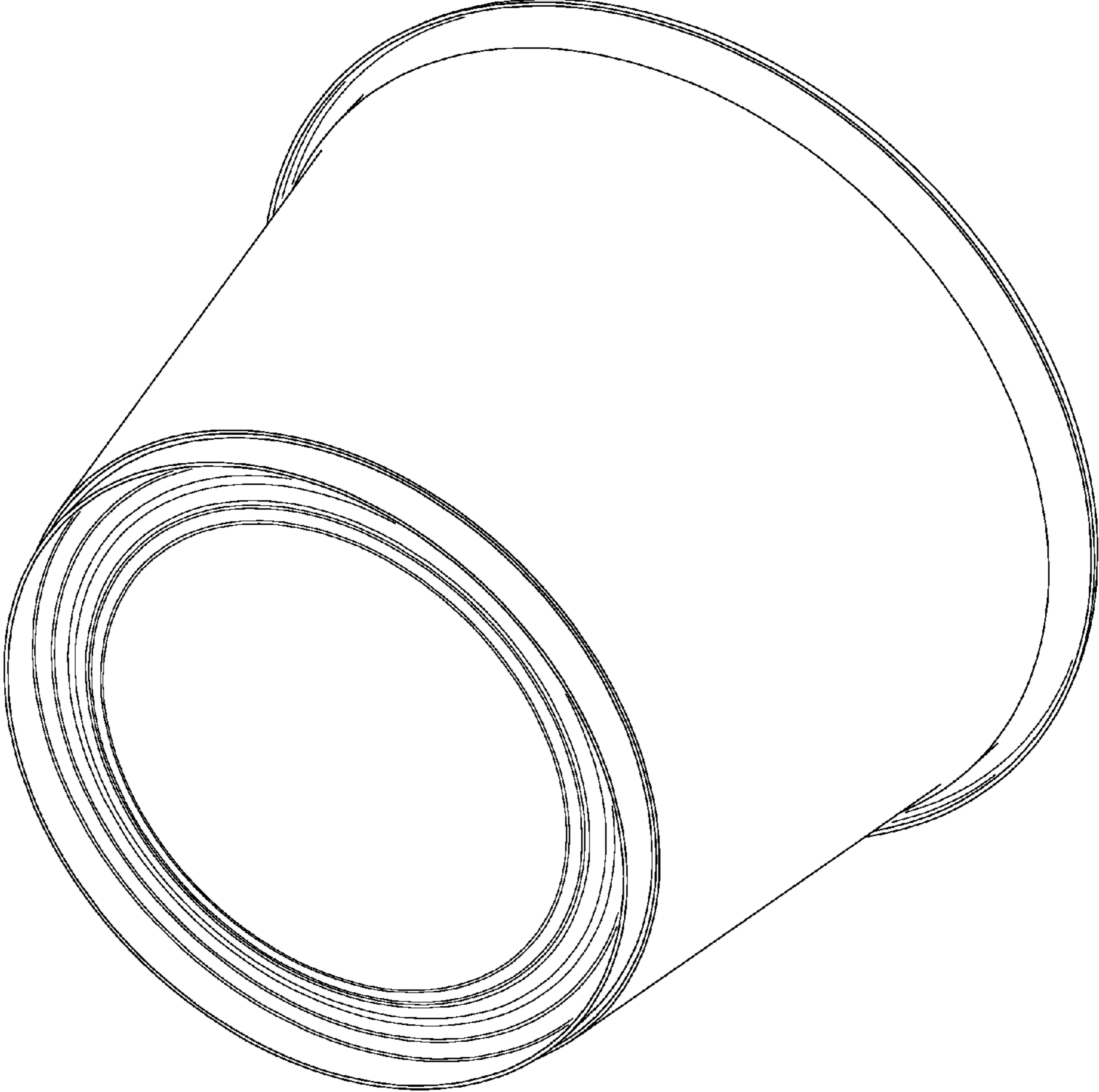


FIG. 1

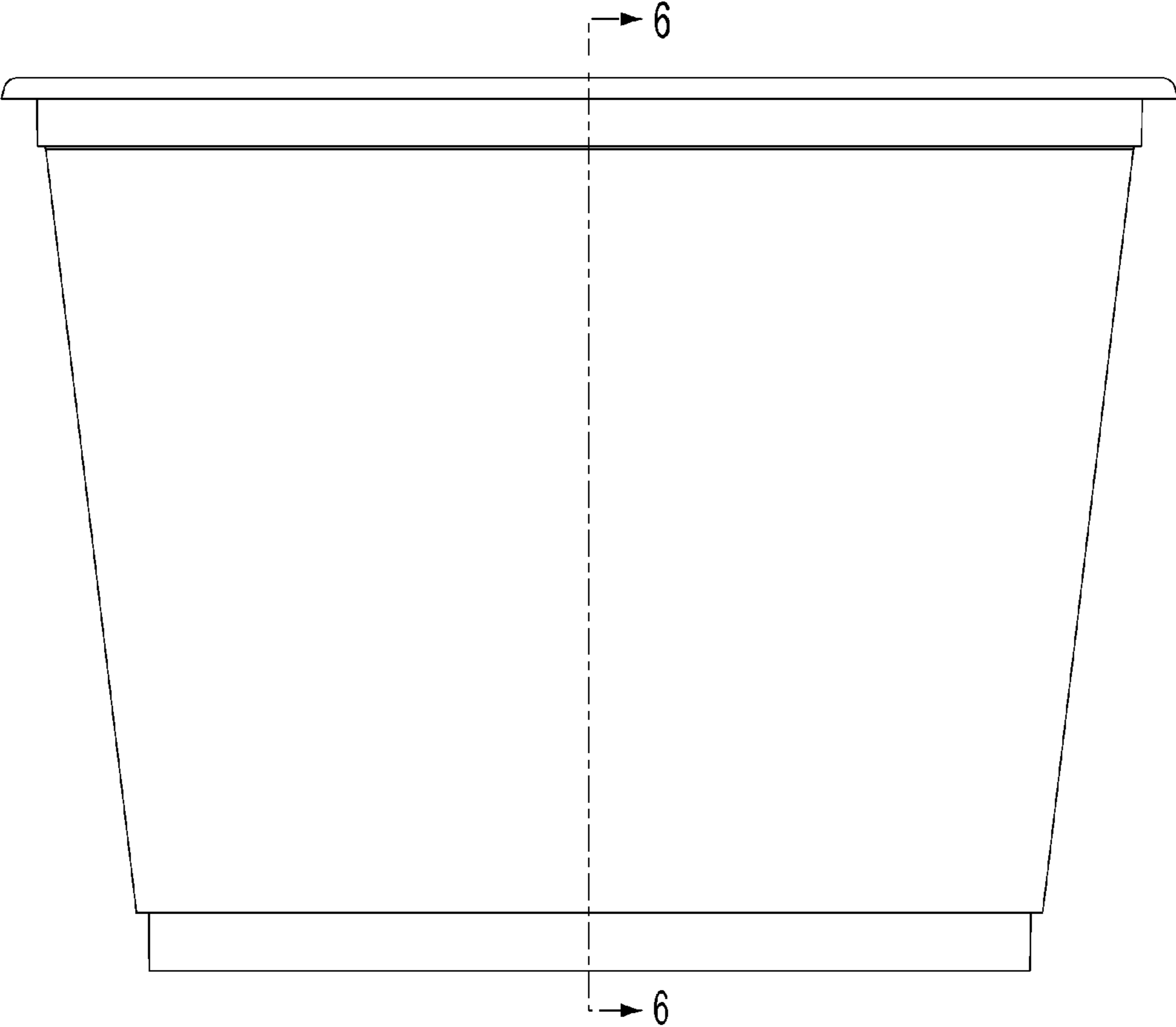


FIG. 2

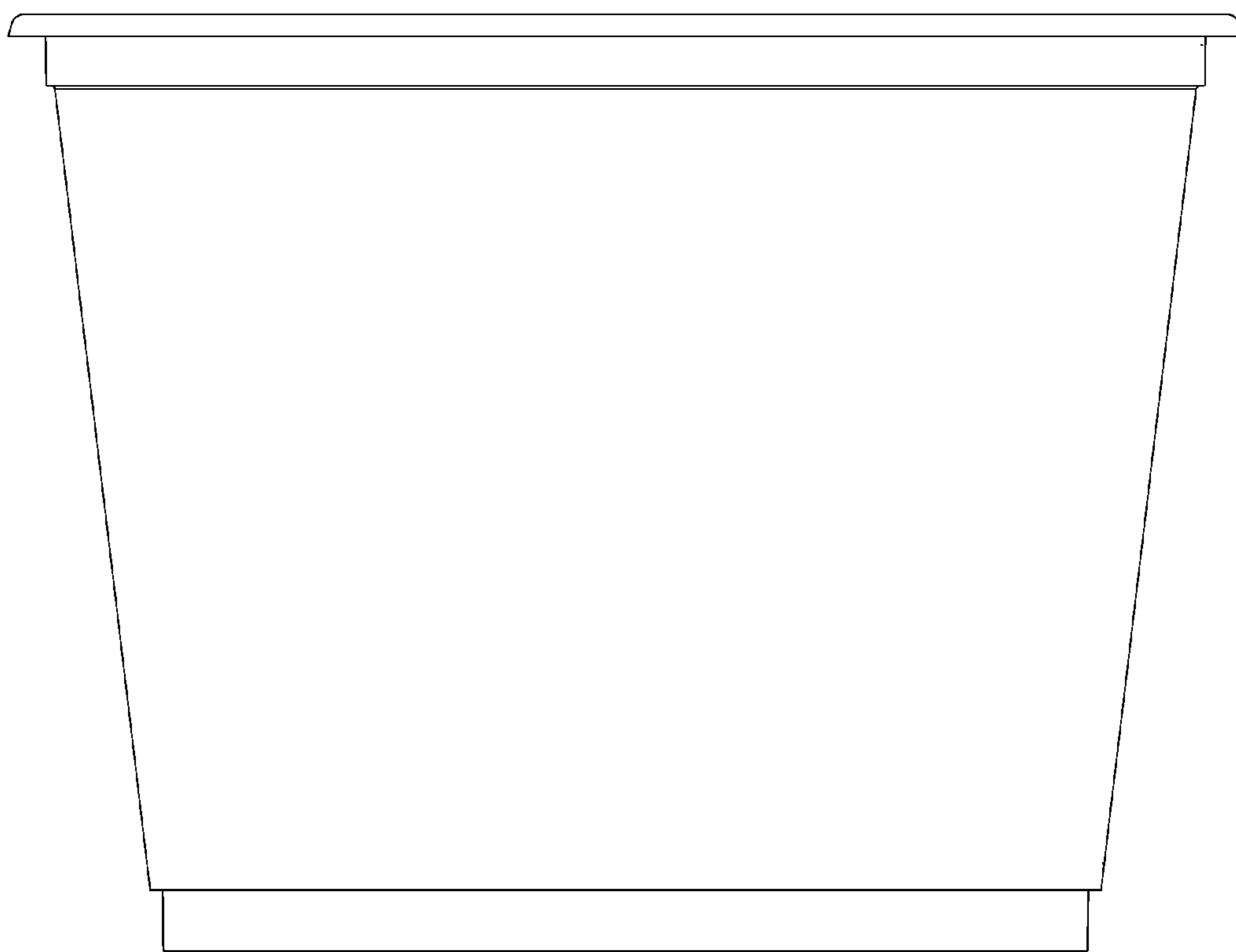


FIG. 3

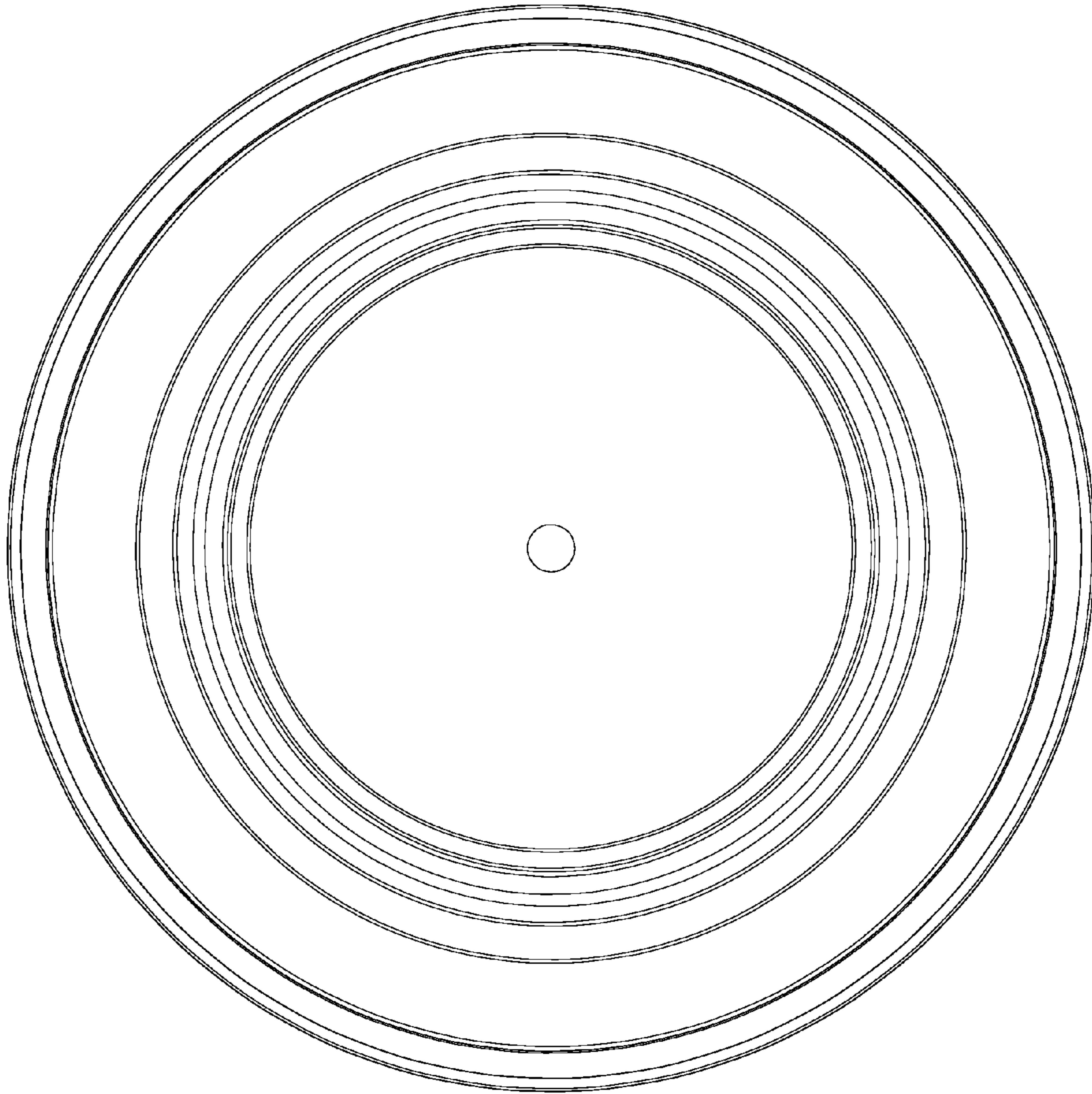


FIG. 4



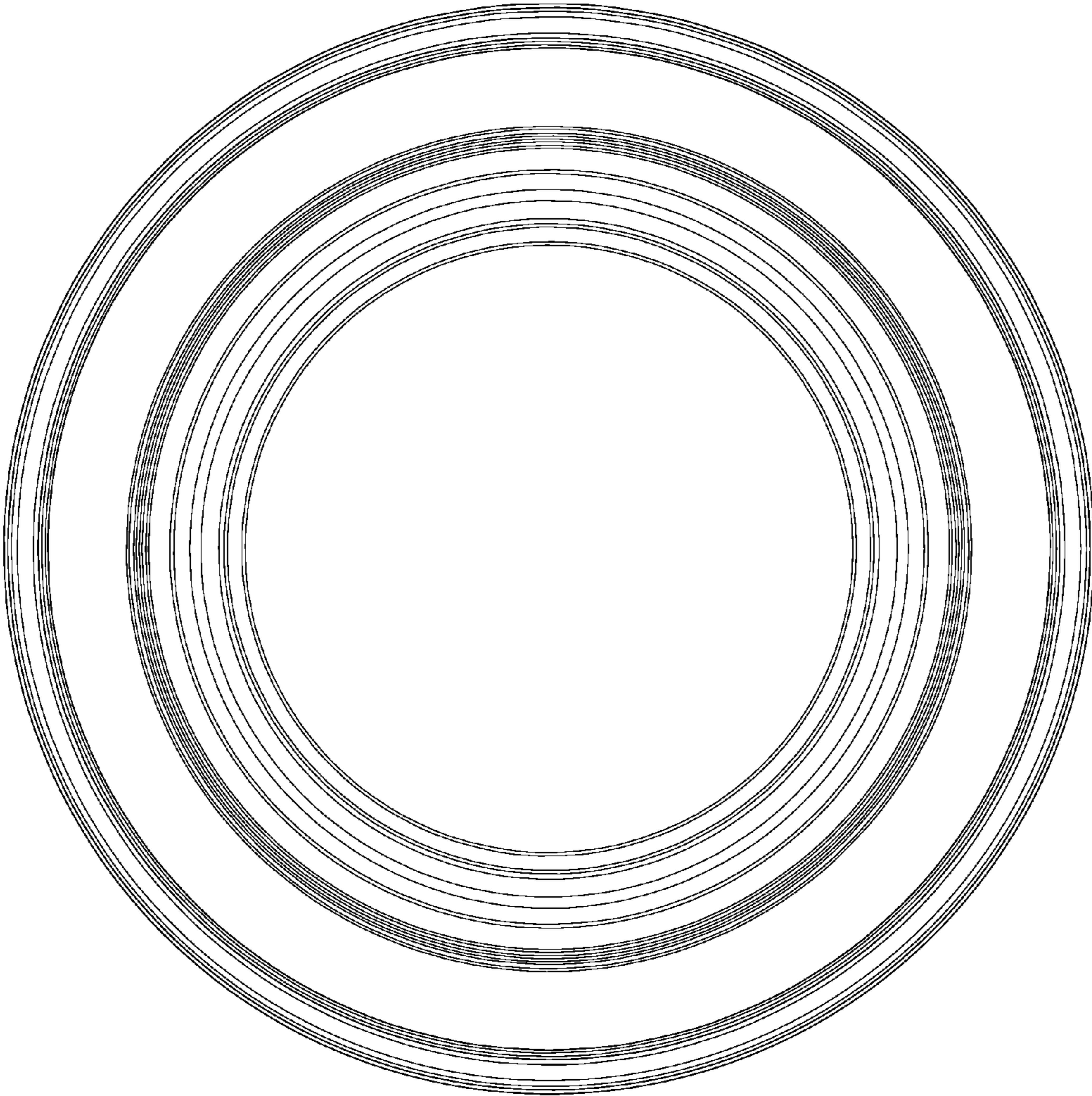


FIG. 5

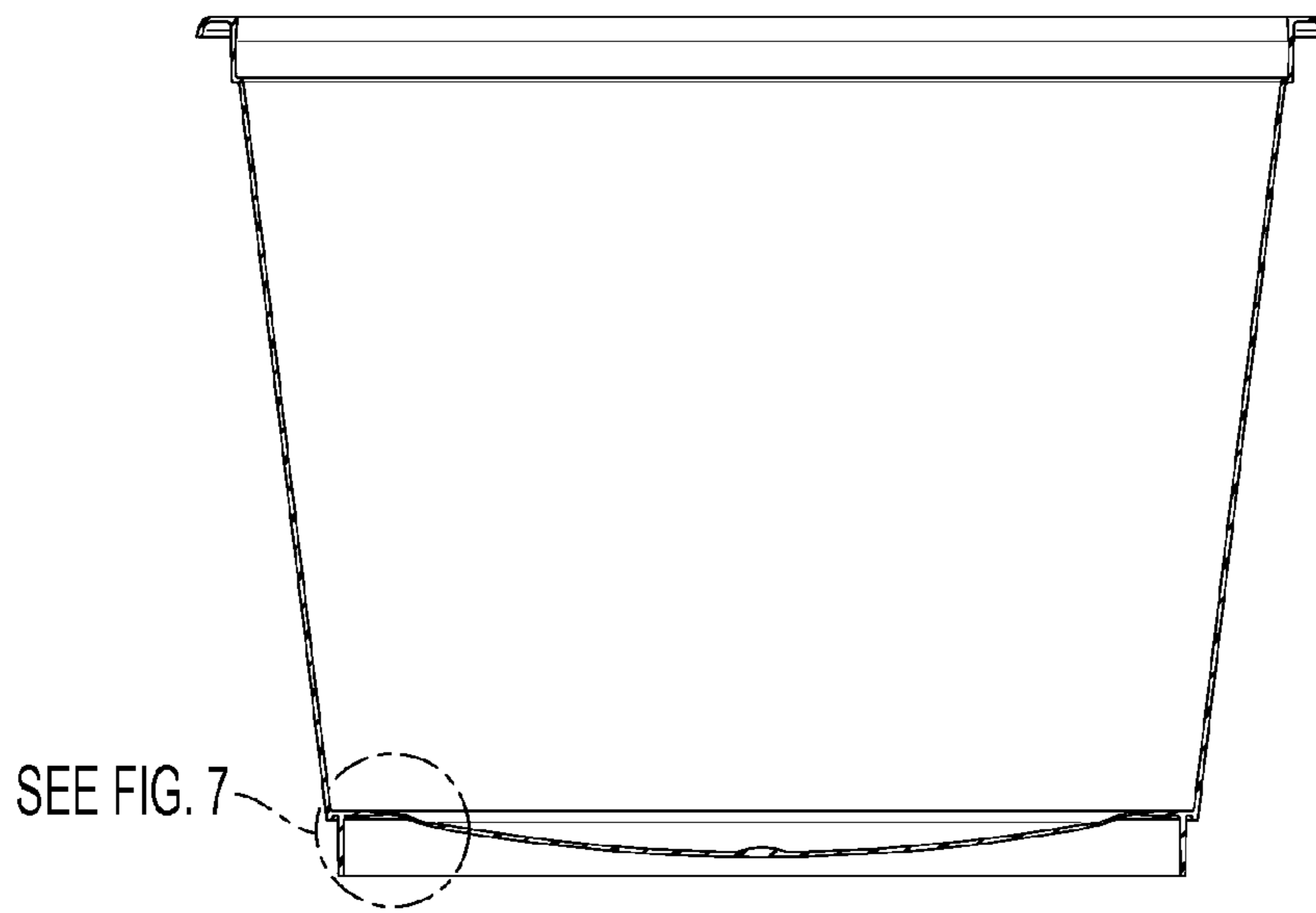
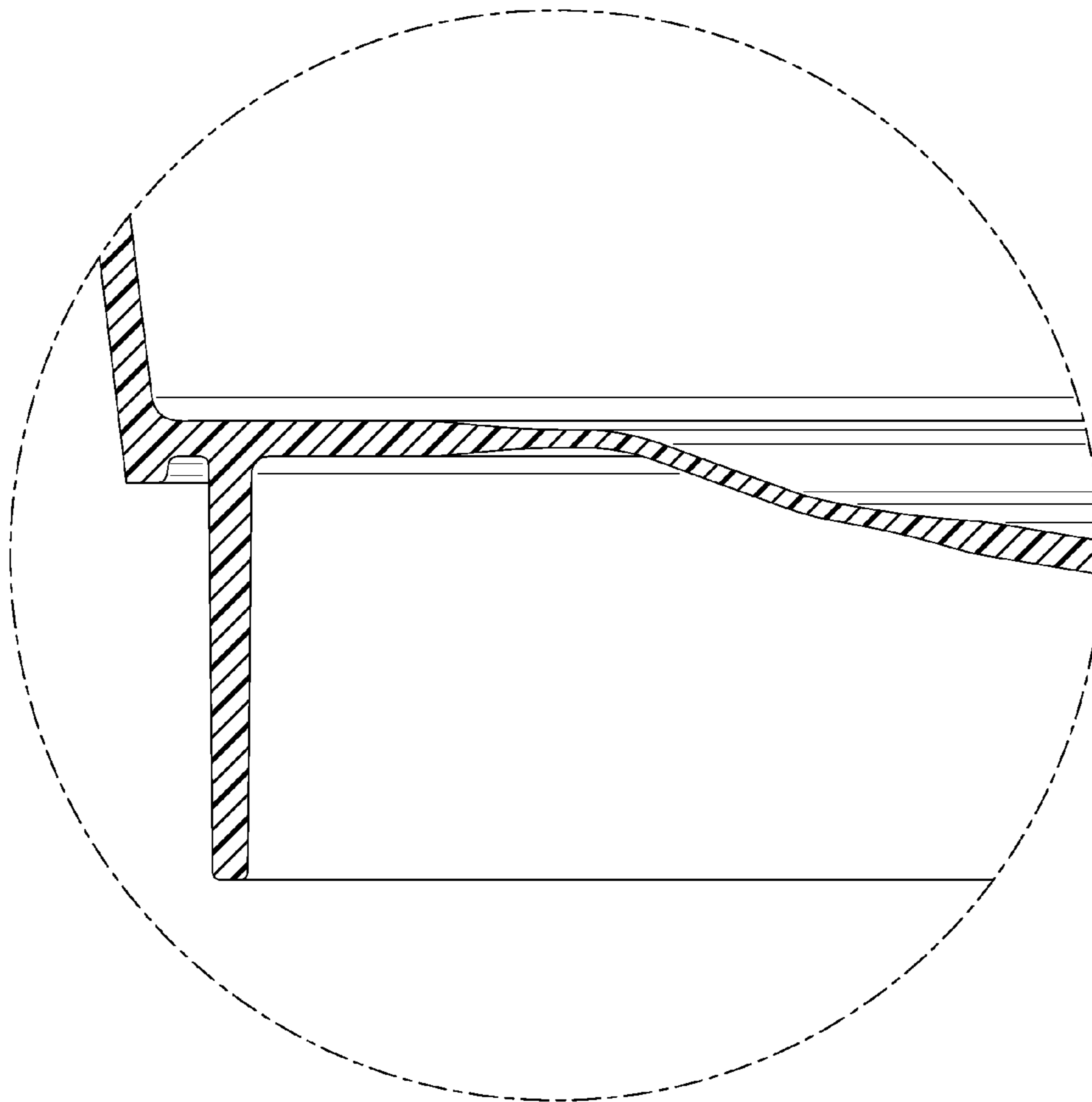


FIG. 6



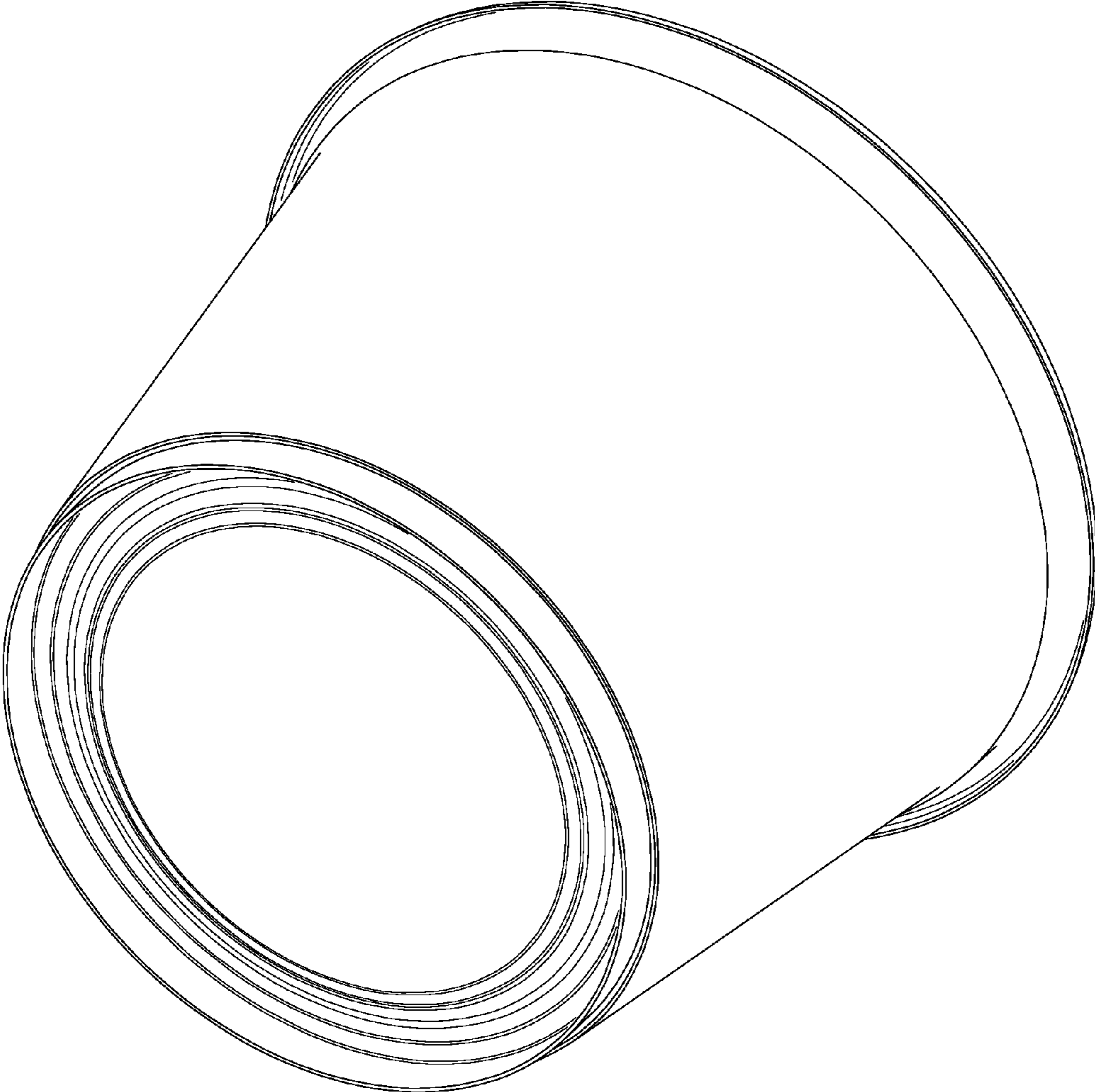


FIG. 8



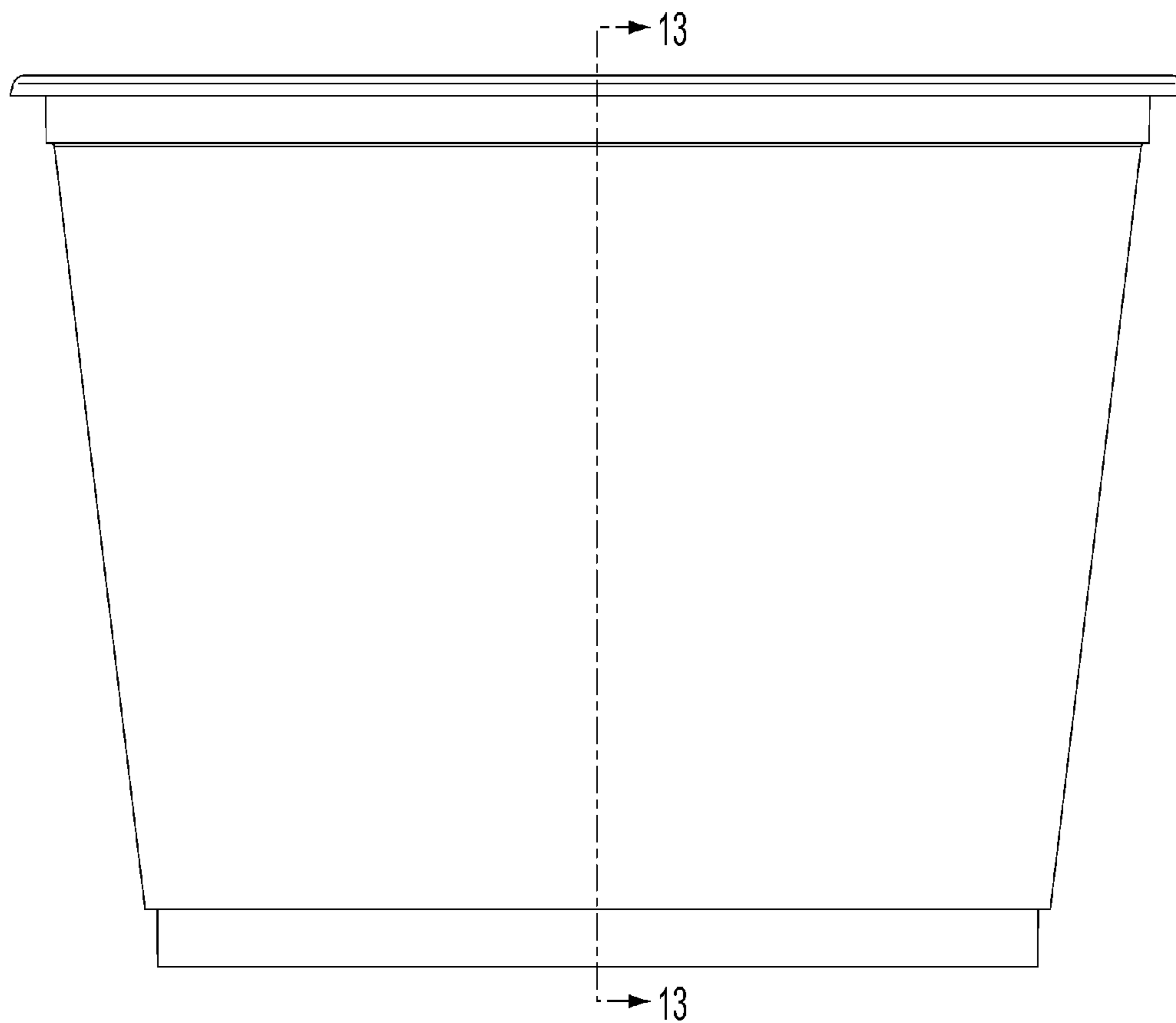


FIG. 9

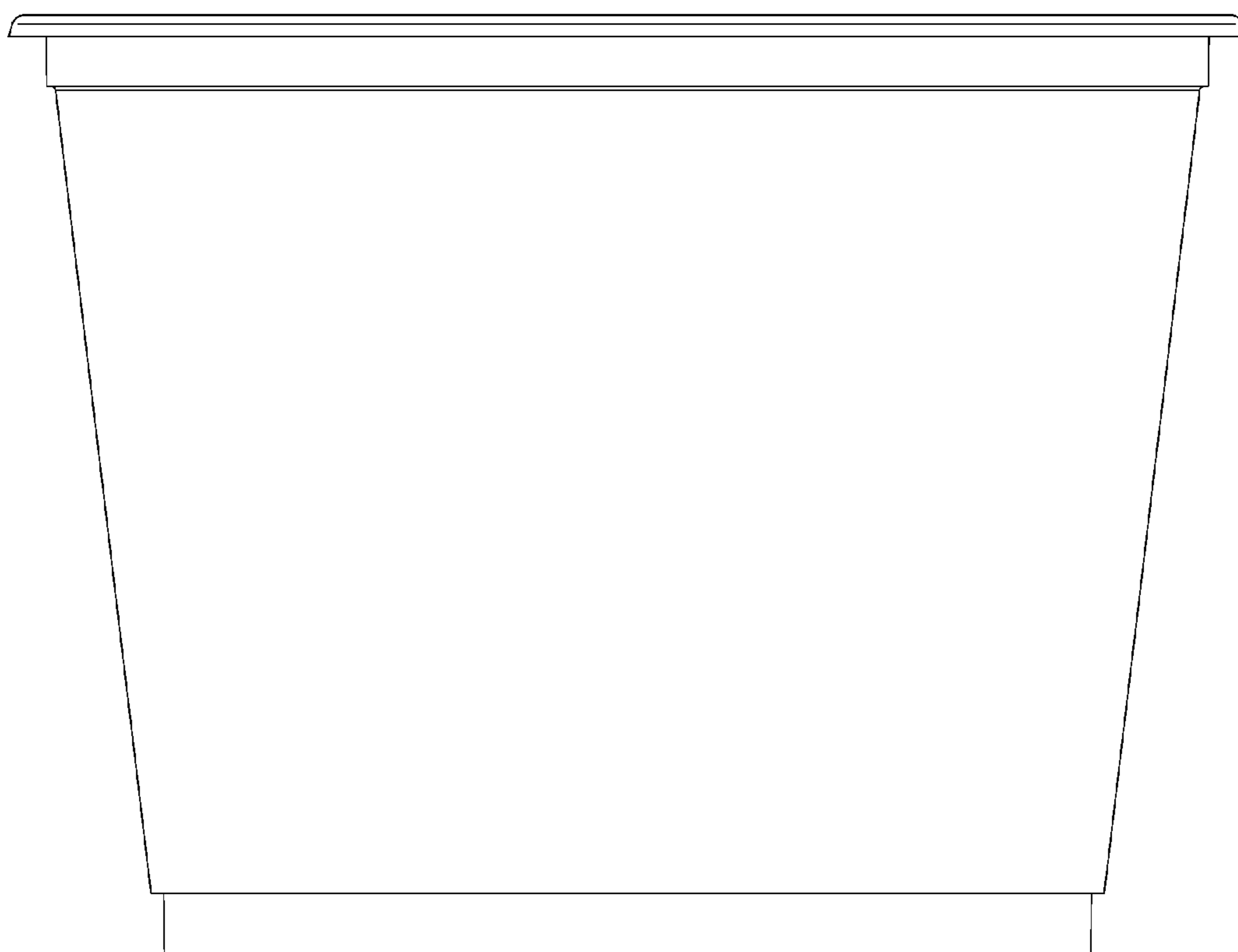


FIG. 10

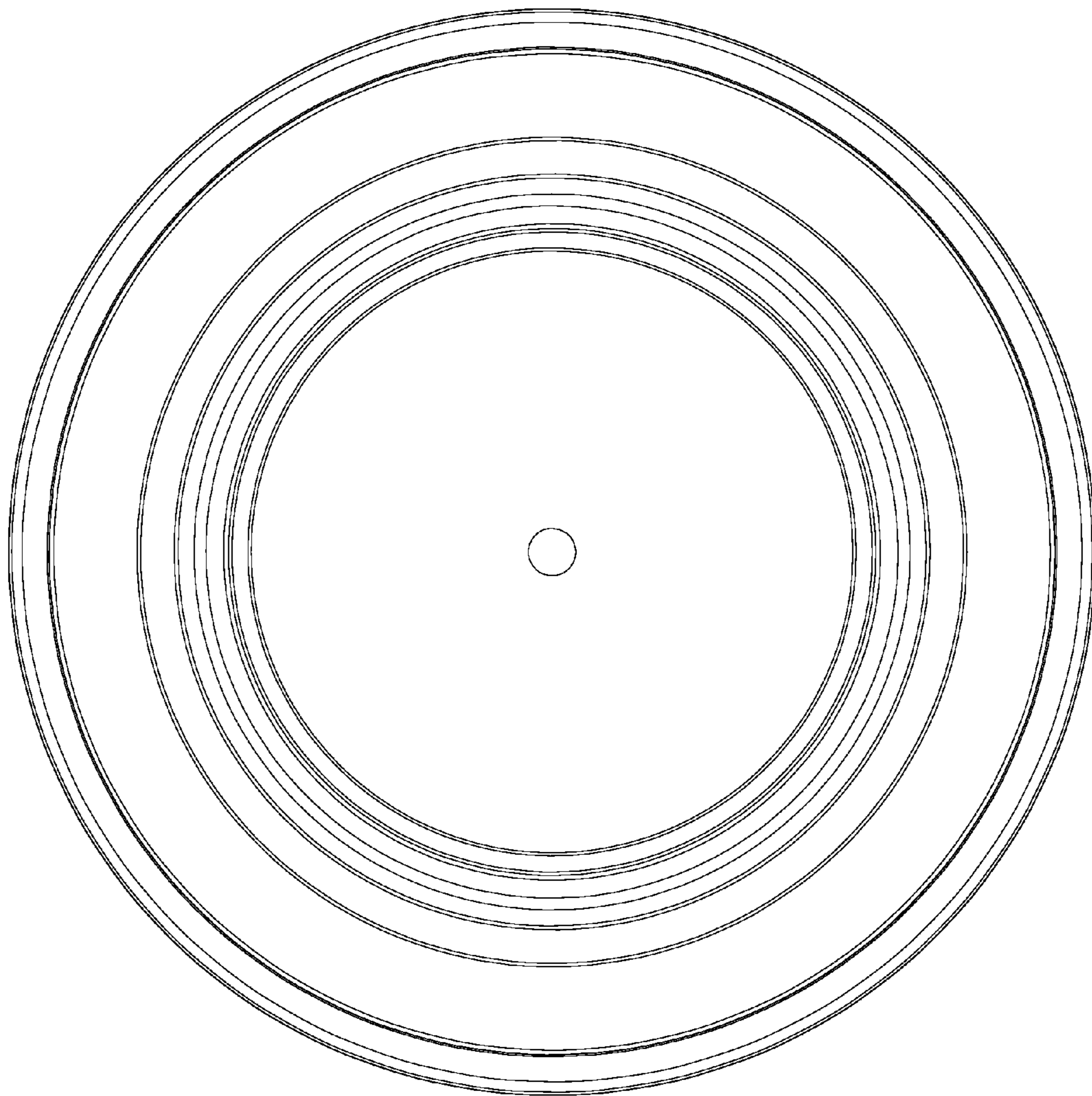


FIG. 11

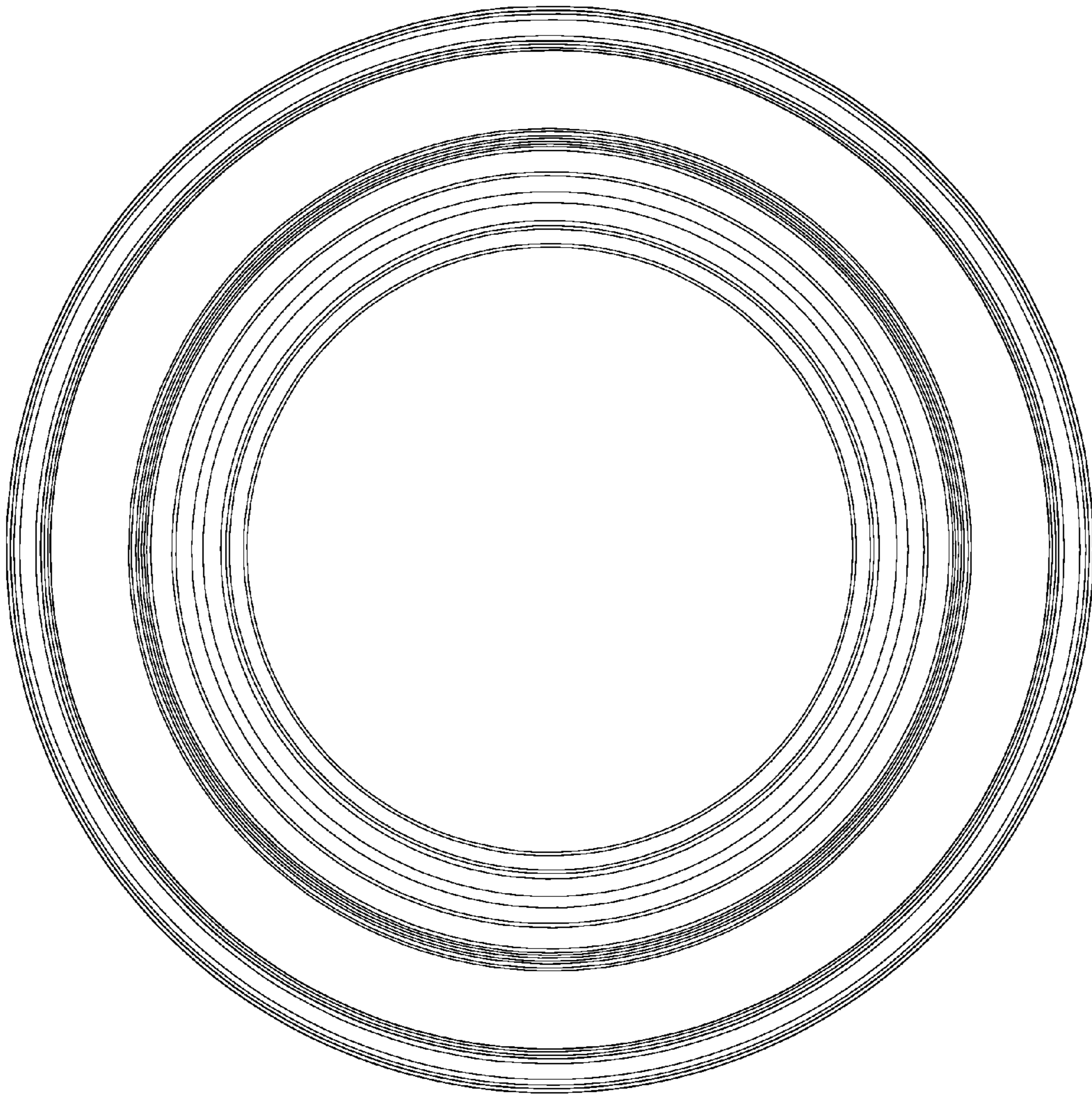


FIG. 12

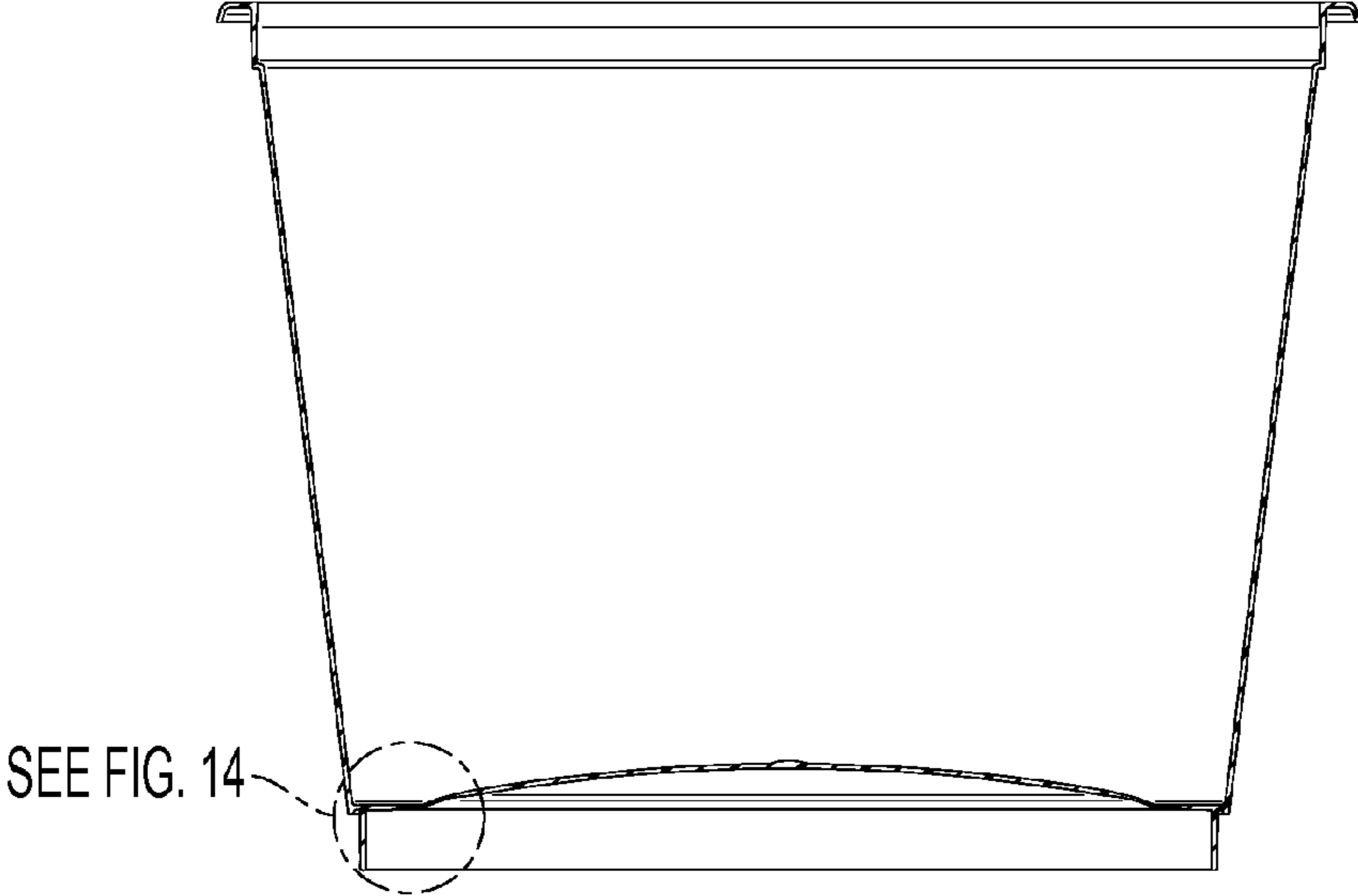


FIG. 13

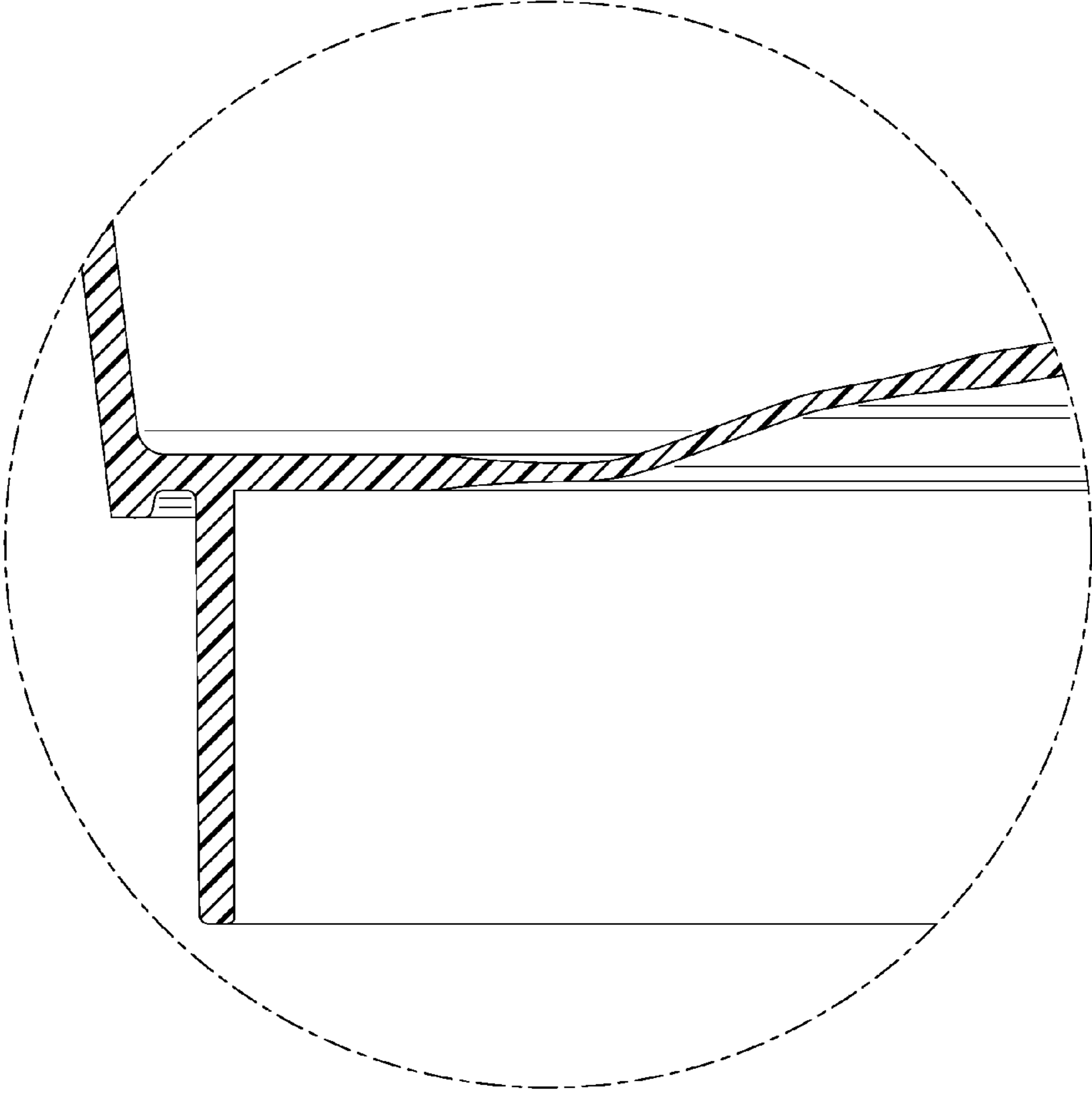


FIG. 14