



US00D695106S

(12) **United States Design Patent**  
**Yang**

(10) **Patent No.:** **US D695,106 S**

(45) **Date of Patent:** **\*\* Dec. 10, 2013**

(54) **CONTAINER**

(71) Applicant: **Chih-Ya Yang**, Taichung (TW)

(72) Inventor: **Chih-Ya Yang**, Taichung (TW)

(\*\*) Term: **14 Years**

(21) Appl. No.: **29/455,343**

(22) Filed: **May 20, 2013**

(51) **LOC (9) Cl.** ..... **09-03**

(52) **U.S. Cl.**

USPC ..... **D9/425**

(58) **Field of Classification Search**

USPC ..... D9/414-416, 418-420, 423-432, 435;  
D7/354, 392.1, 394, 396.1, 538, 543,  
D7/545, 550.1, 551, 554.3, 587, 566, 575,  
D7/584, 586, 605, 629, 667, 709;  
220/4.21-4.24, 574, 602-608, 659,  
220/675, 781-782, 793, 835, 839, DIG. 12;  
229/401, 406; 206/119, 216, 351, 469,  
206/470, 508, 521.1, 525-545, 562,  
206/731-734, 775-778, 781, 782, 784, 806,  
206/822, 830; 219/725, 728, 732, 735;  
D23/359; D3/272-273, 276, 294, 302,  
D3/312, 314; 221/191

See application file for complete search history.

(56) **References Cited**

U.S. PATENT DOCUMENTS

4,265,390	A *	5/1981	Faller et al.	229/169
D551,506	S *	9/2007	Friedland et al.	D7/545
D551,507	S *	9/2007	Friedland et al.	D7/545
D551,508	S *	9/2007	Friedland et al.	D7/545
D551,908	S *	10/2007	Friedland et al.	D7/545
D584,945	S *	1/2009	Friedland et al.	D9/425
D617,143	S *	6/2010	Cole et al.	D7/396.1
D641,588	S *	7/2011	Cole et al.	D7/396.1
2004/0262322	A1 *	12/2004	Middleton et al.	220/675
2012/0279895	A1 *	11/2012	Middleton et al.	206/557
2013/0019808	A1 *	1/2013	Lathim	119/51.01

\* cited by examiner

*Primary Examiner* — Thomas Johannes

(74) *Attorney, Agent, or Firm* — Krieg DeVault LLP;  
Clifford W. Browning

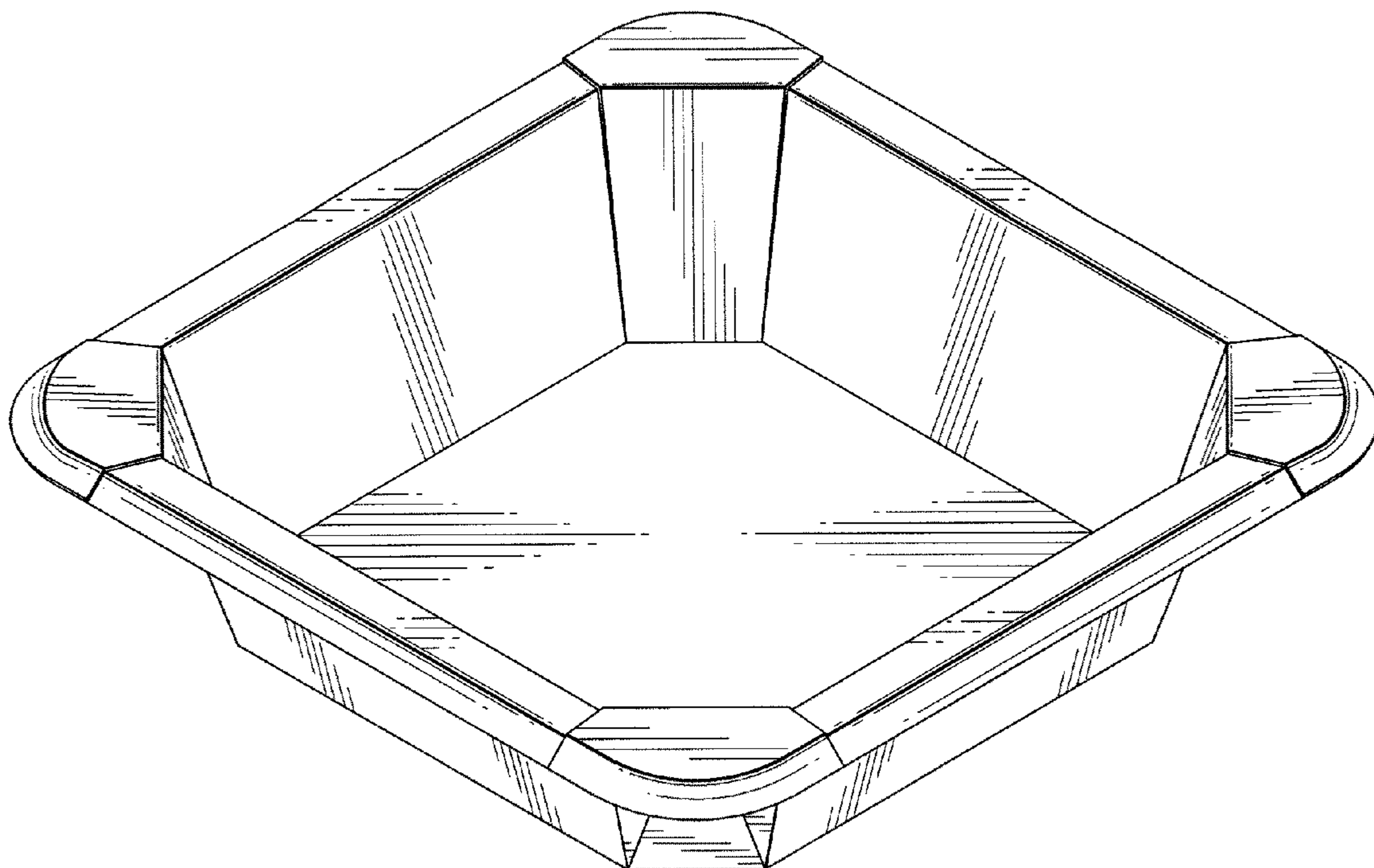
(57) **CLAIM**

The ornamental design for container, as shown and described.

**DESCRIPTION**

FIG. 1 is a perspective view of container showing my new design;  
FIG. 2 is a front elevational view thereof;  
FIG. 3 is a rear elevational view thereof;  
FIG. 4 is a left side elevational view thereof;  
FIG. 5 is a right side elevational view thereof;  
FIG. 6 is a top plan view thereof; and,  
FIG. 7 is a bottom plan view thereof.  
The portions shown in dashed lines show unclaimed subject matter only and form no part of the claimed design.

**1 Claim, 7 Drawing Sheets**



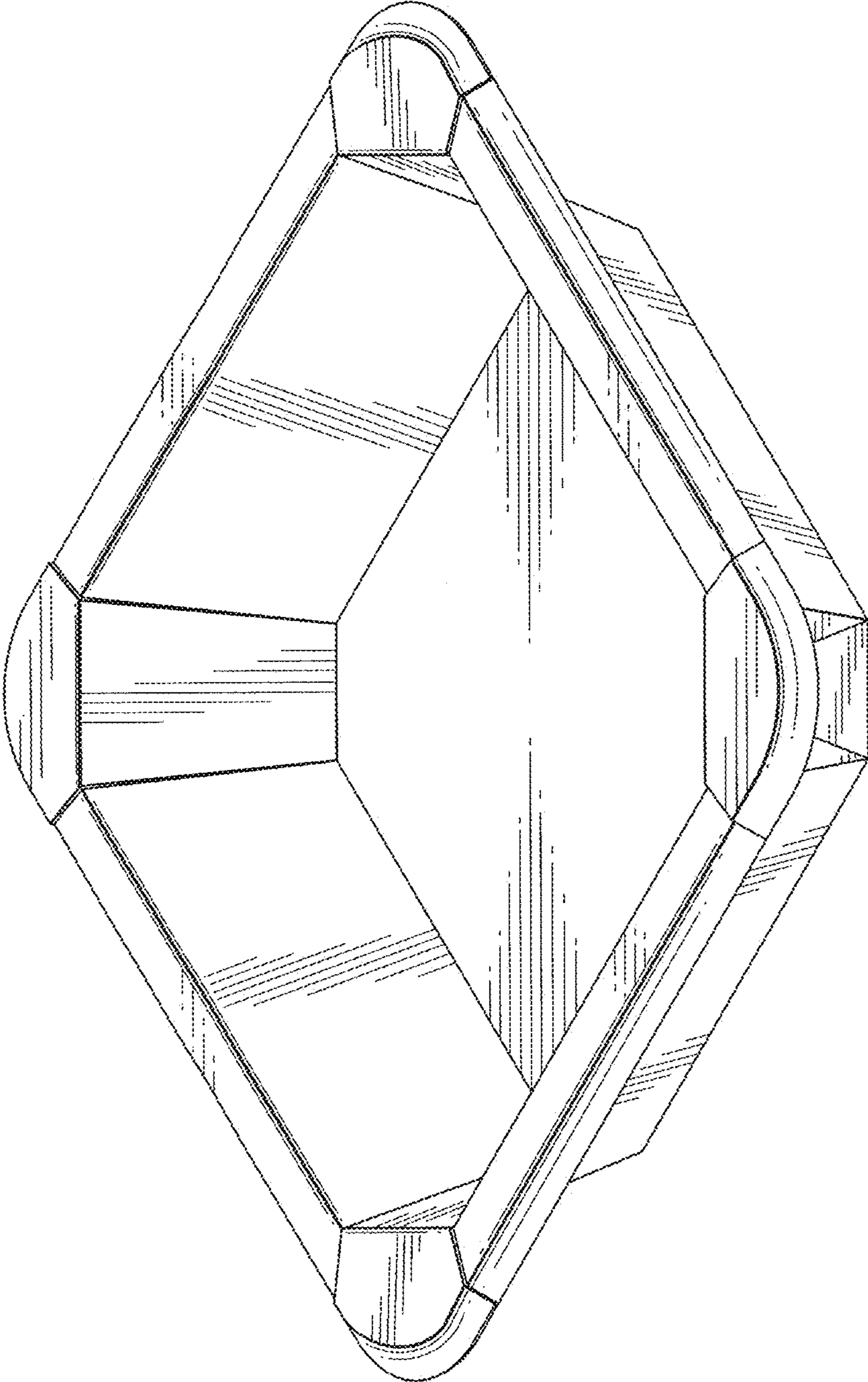


FIG. 1

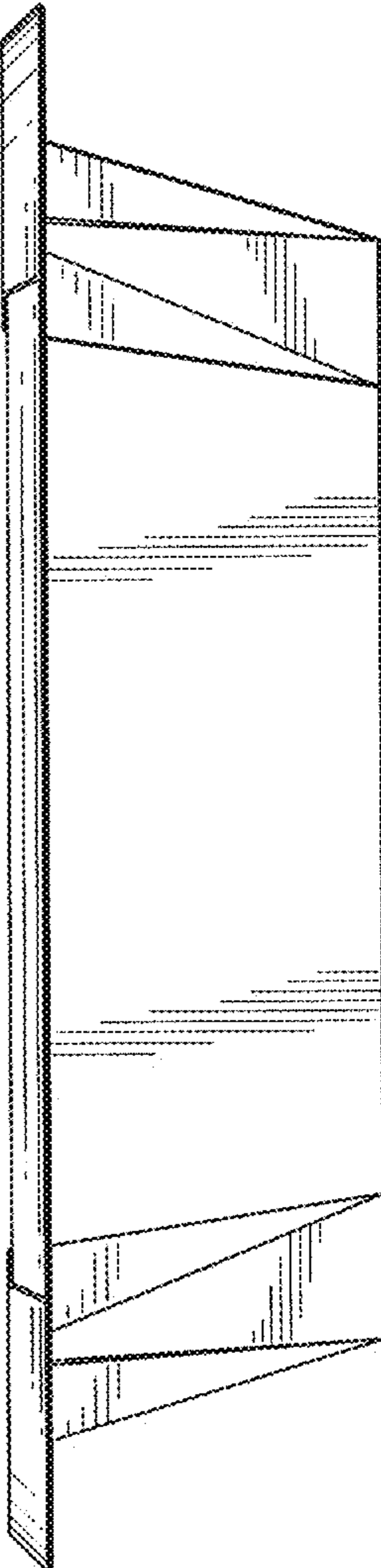


FIG. 2

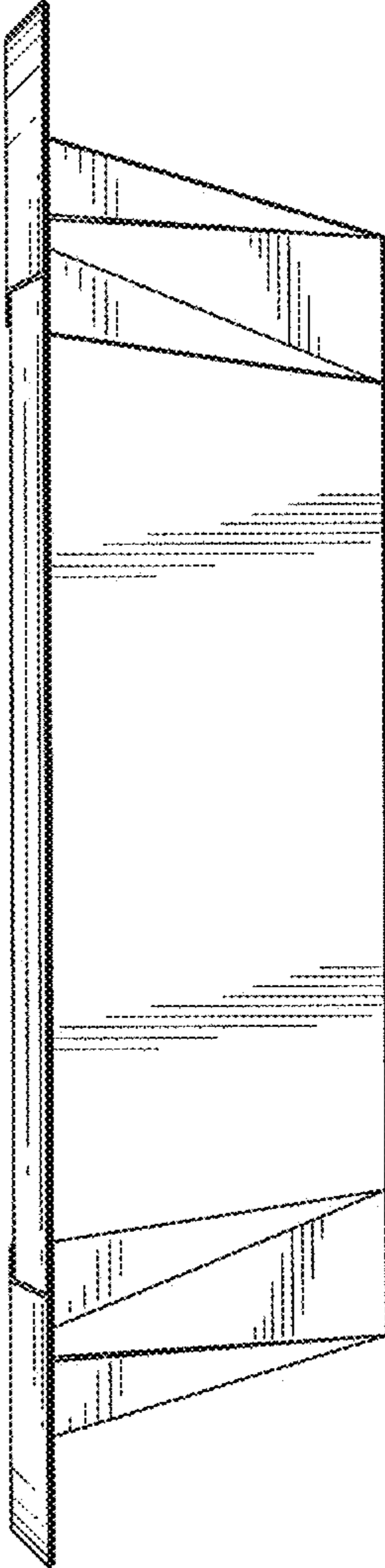


FIG. 3

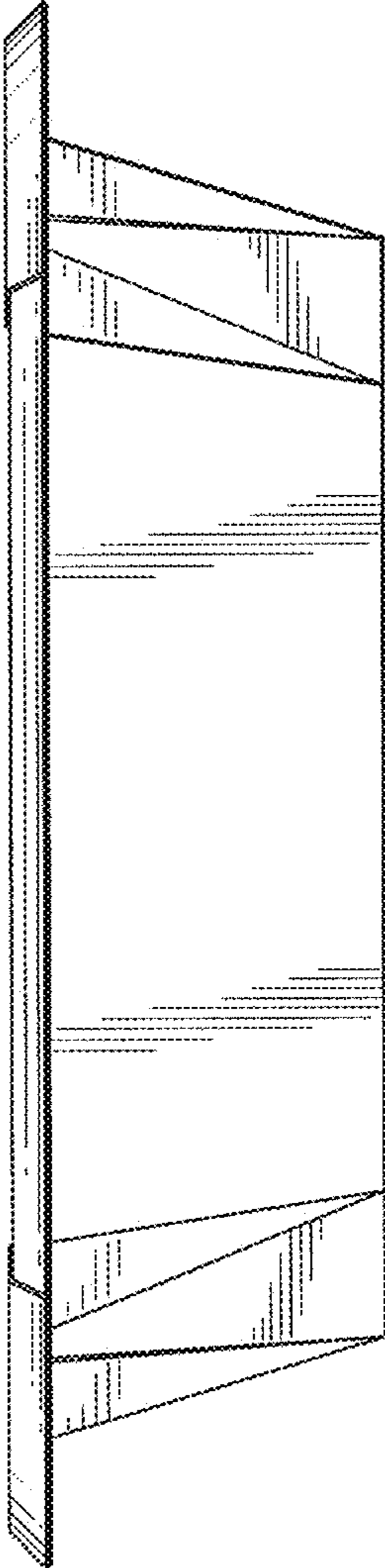


FIG. 4



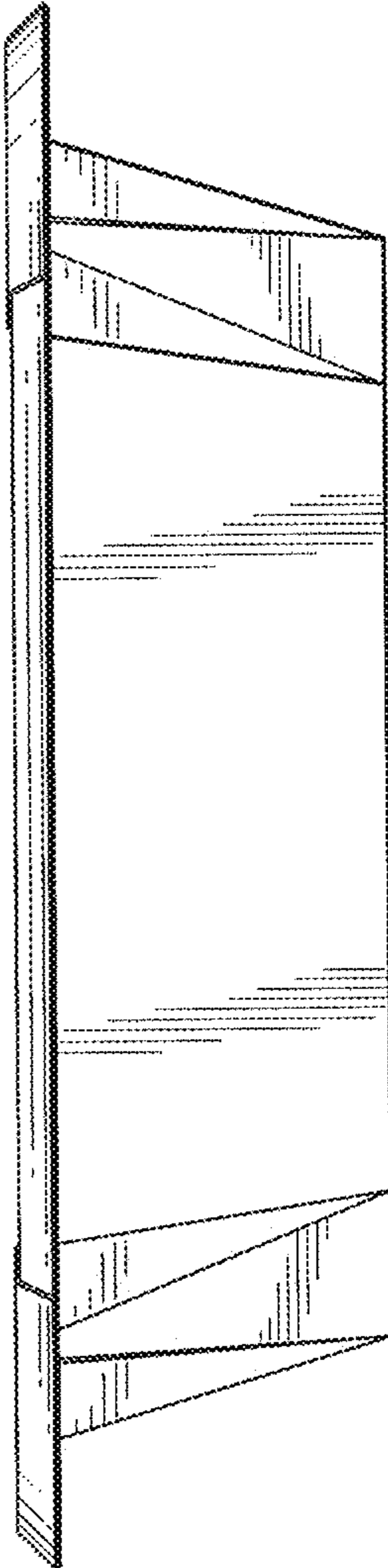


FIG. 5

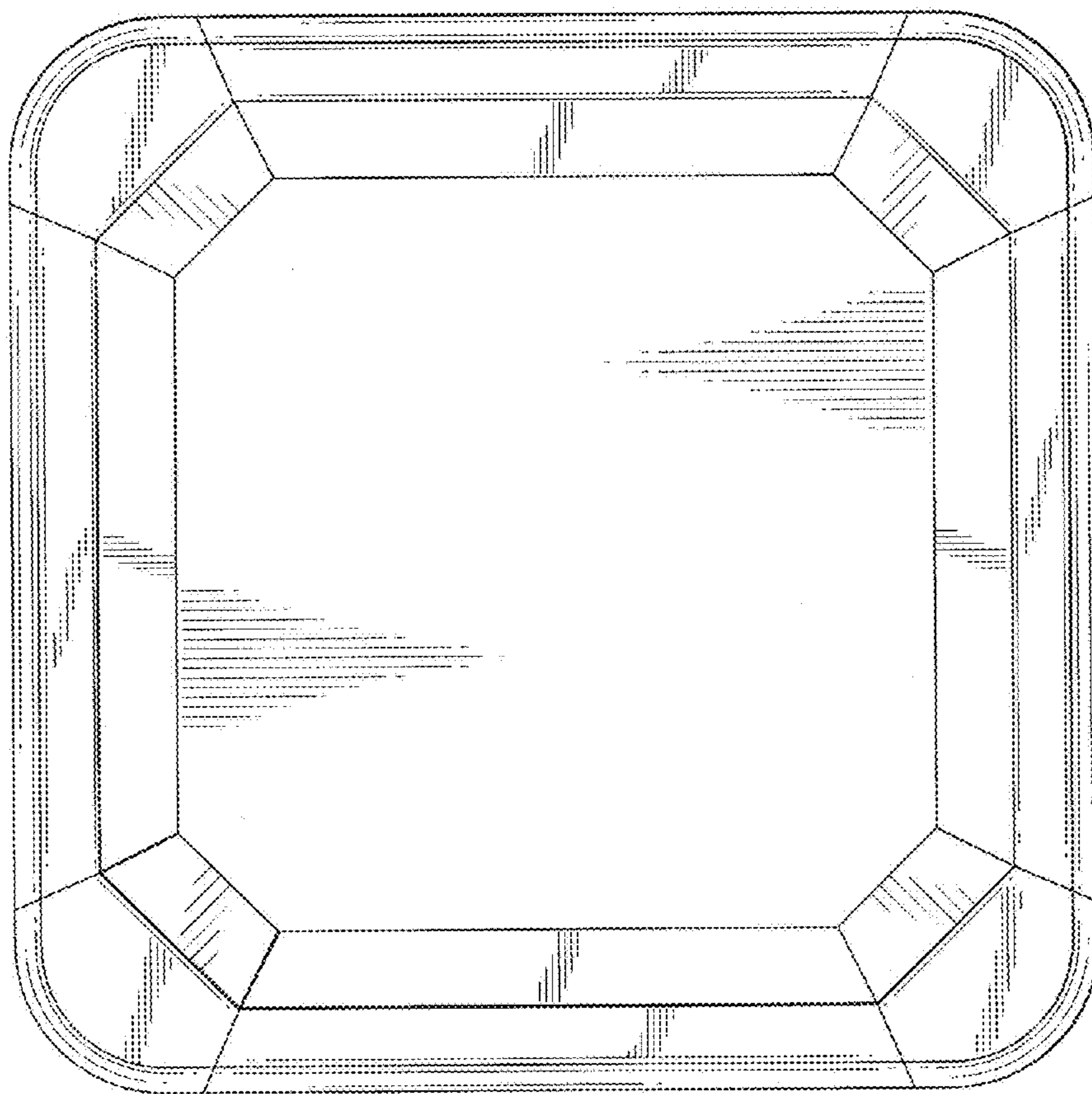


FIG. 6

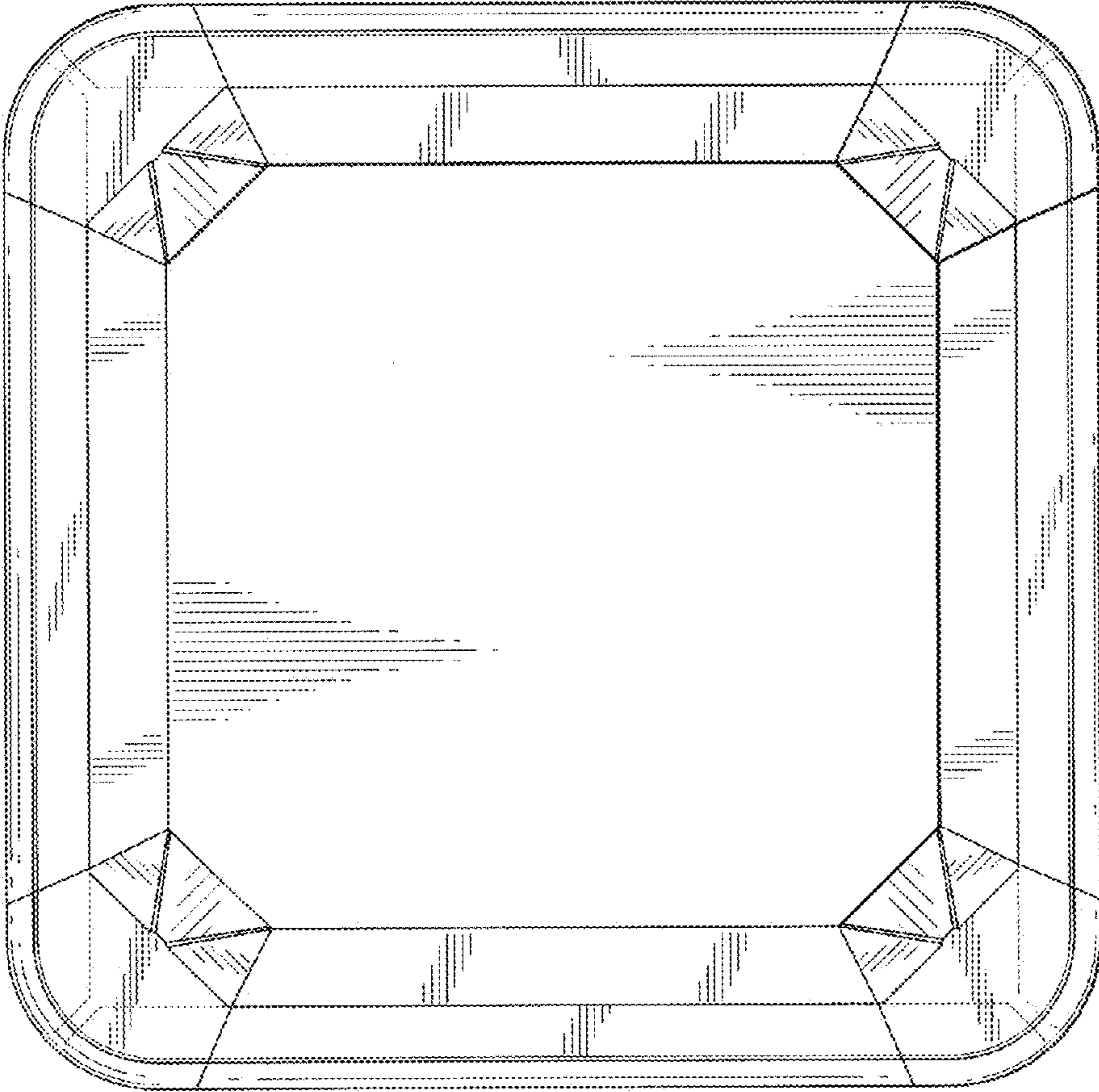


FIG. 7