



US00D695096S

(12) **United States Design Patent**
Hammer et al.

(10) **Patent No.:** **US D695,096 S**

(45) **Date of Patent:** **** Dec. 10, 2013**

(54) **HOOK RAIL**

(75) Inventors: **Allison Michelle Hammer**, Chicago, IL (US); **José Manuel Fernandes dos Santos**, Chicago, IL (US)

(73) Assignee: **Liberty Hardware Mfg. Corp.**, Winston-Salem, NC (US)

(**) Term: **14 Years**

(21) Appl. No.: **29/422,273**

(22) Filed: **May 18, 2012**

(51) **LOC (9) Cl.** **08-05**

(52) **U.S. Cl.**
USPC **D8/372**

(58) **Field of Classification Search**
USPC D8/372, 367; D6/323; 248/301, 3-4
See application file for complete search history.

(56) **References Cited**

U.S. PATENT DOCUMENTS

D472,134 S * 3/2003 Goodman et al. D8/372
D547,584 S * 7/2007 Little D6/569

D551,009 S * 9/2007 Pulliam D6/569
D646,959 S * 10/2011 Goodman et al. D8/372
D647,390 S * 10/2011 Goodman et al. D8/372

* cited by examiner

Primary Examiner — Holly Baynham

(74) *Attorney, Agent, or Firm* — Lora J. Graentzdoerffer

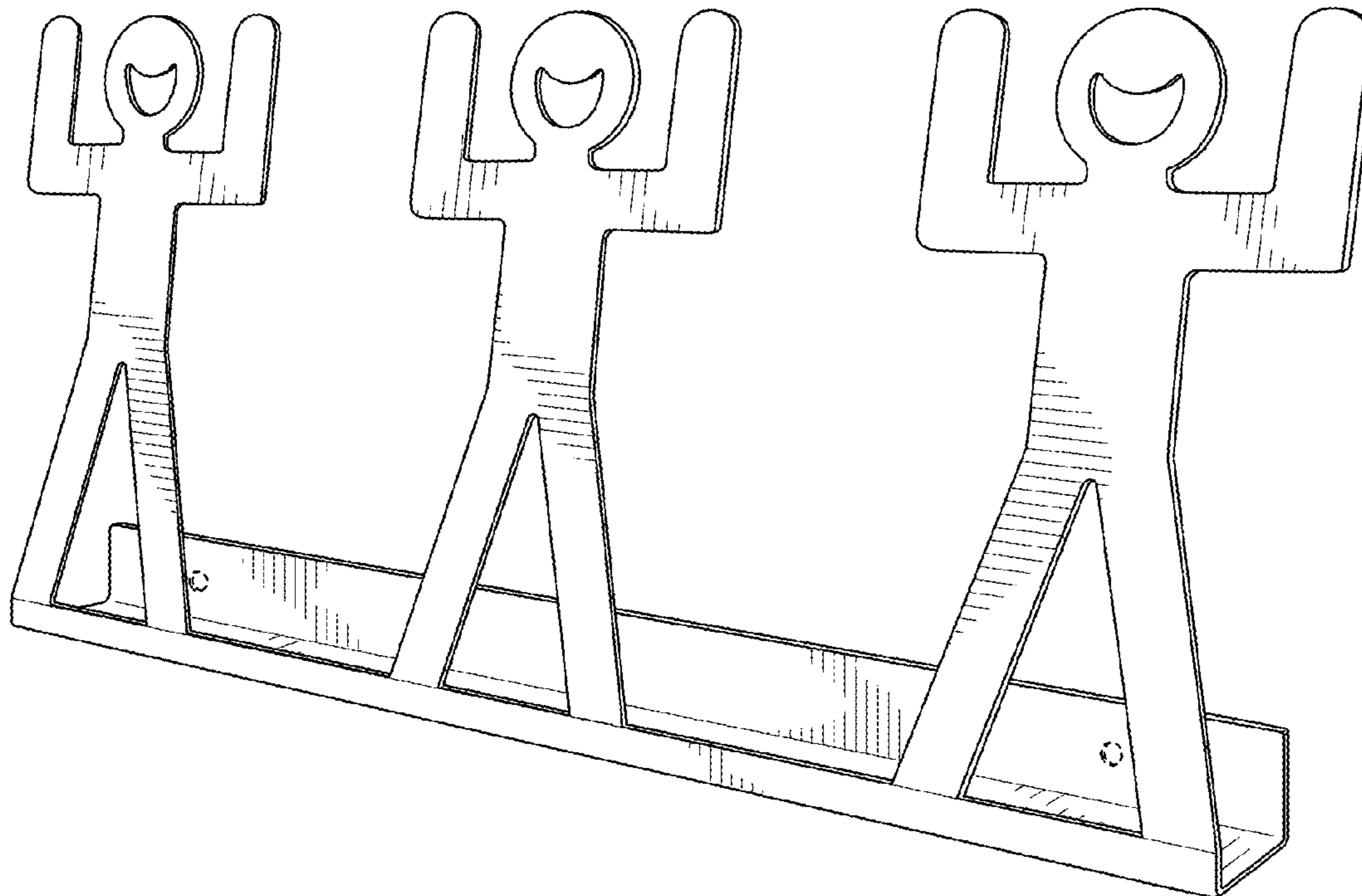
(57) **CLAIM**

The ornamental design for a hook rail, as shown and described.

DESCRIPTION

FIG. 1 is a perspective view thereof;
FIG. 2 is a front elevational view thereof;
FIG. 3 is a rear elevational view thereof;
FIG. 4 is a top plan view thereof;
FIG. 5 is a left side elevational view thereof;
FIG. 6 is a right side elevational view thereof; and,
FIG. 7 is a bottom plan view thereof.
The broken-line disclosure in the views represents portions of the article in which the claimed design is embodied, but which form no part of the claimed design.

1 Claim, 6 Drawing Sheets



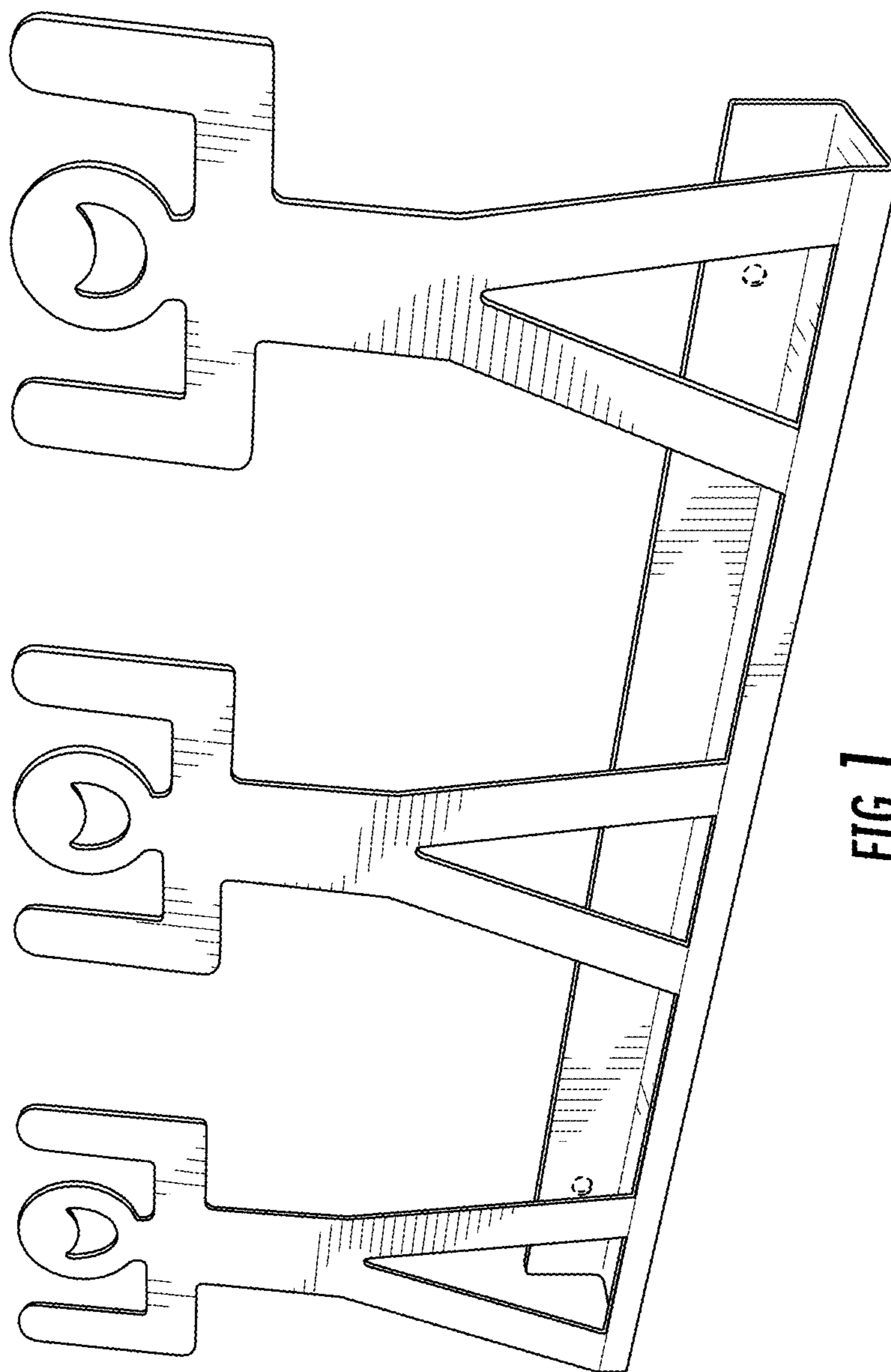


FIG. 1

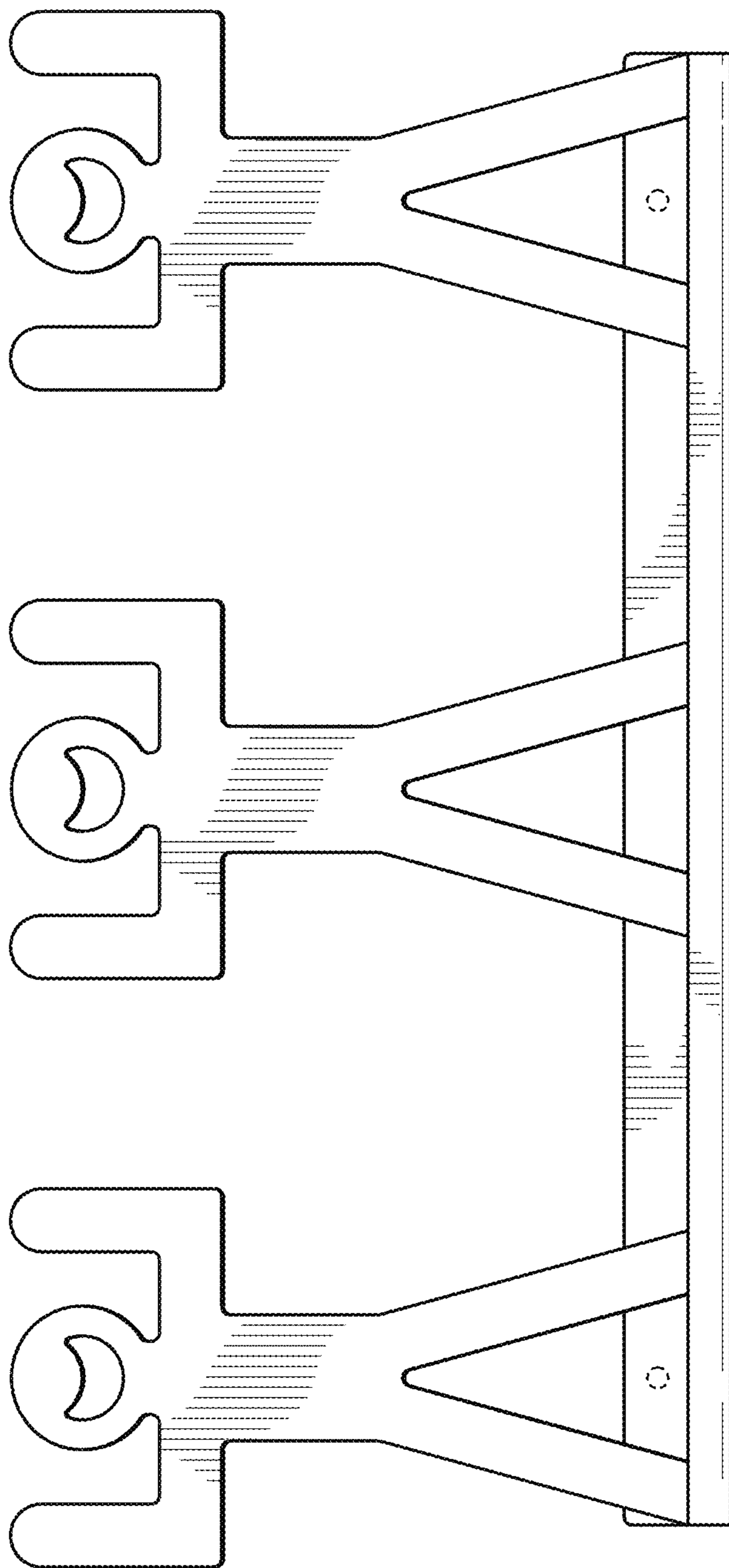


FIG. 2

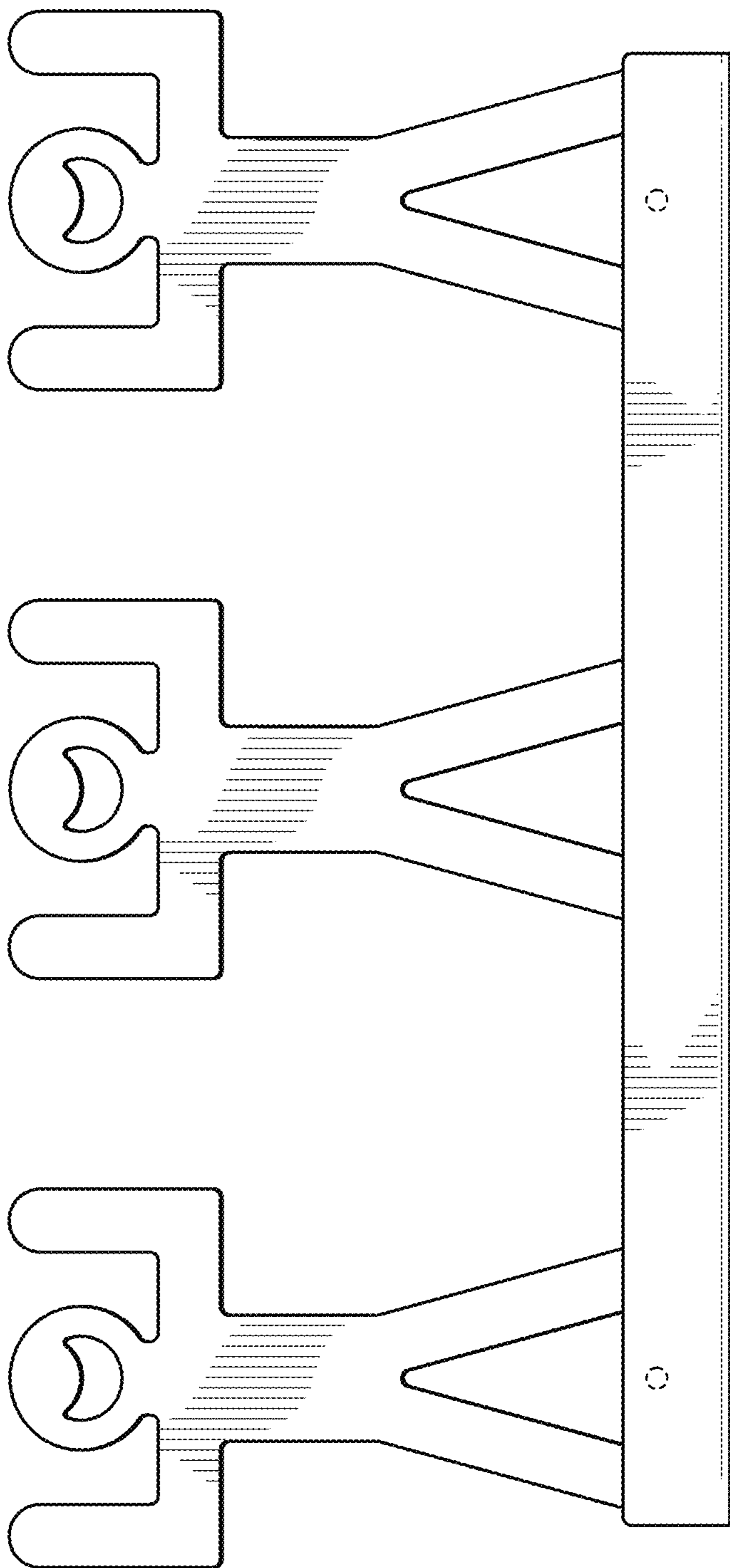


FIG. 3

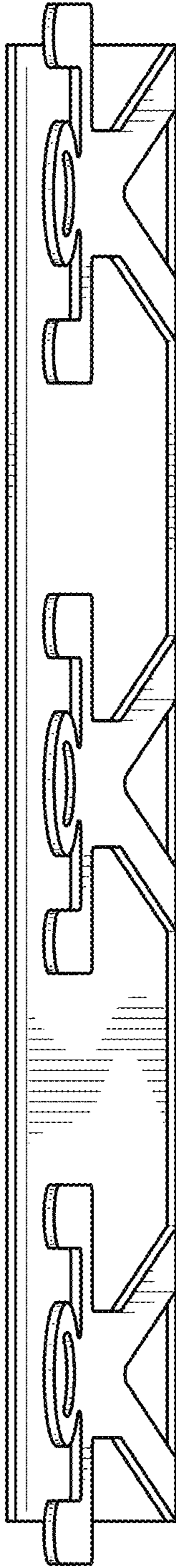


FIG. 4

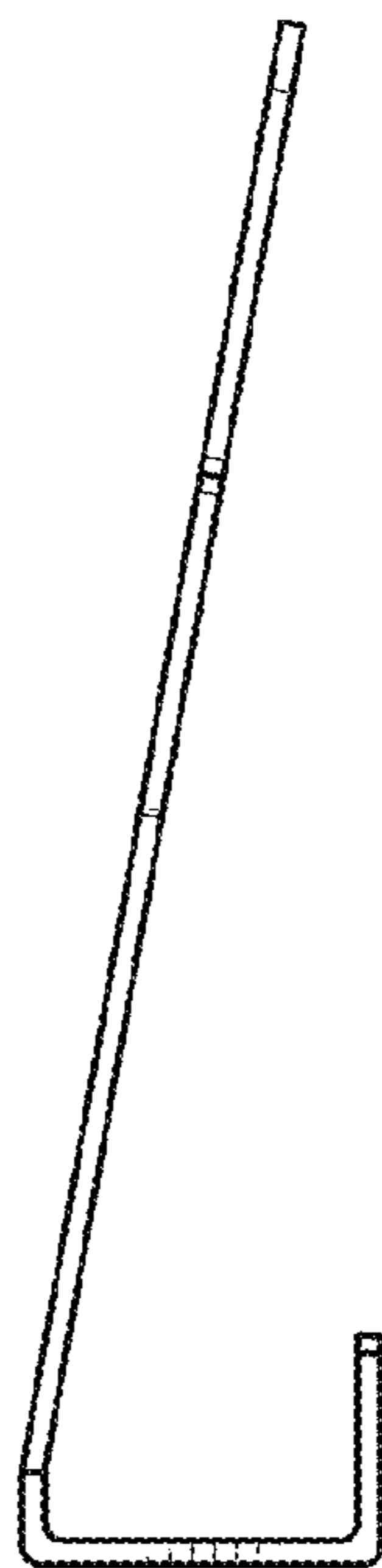


FIG. 5

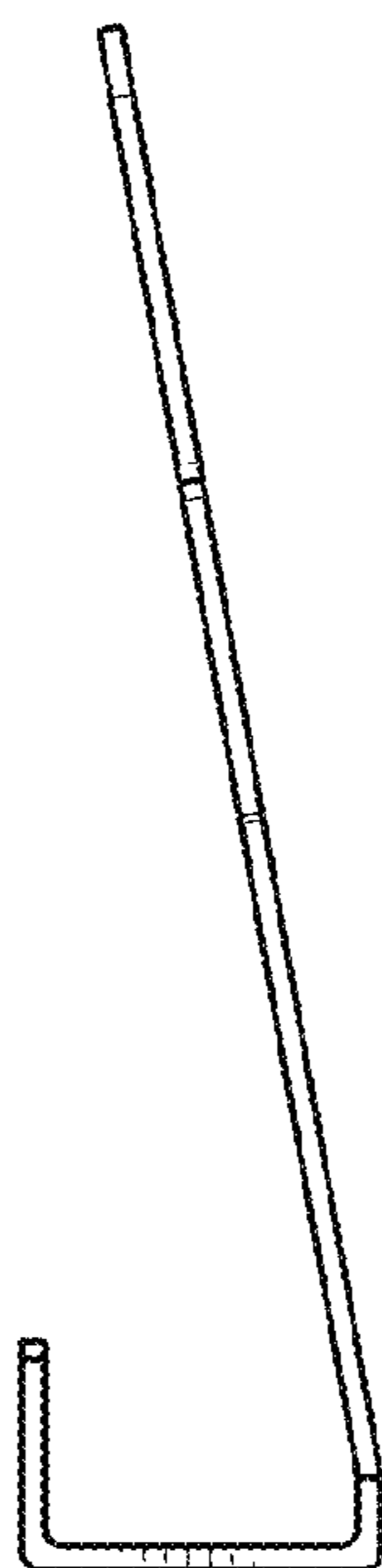


FIG. 6

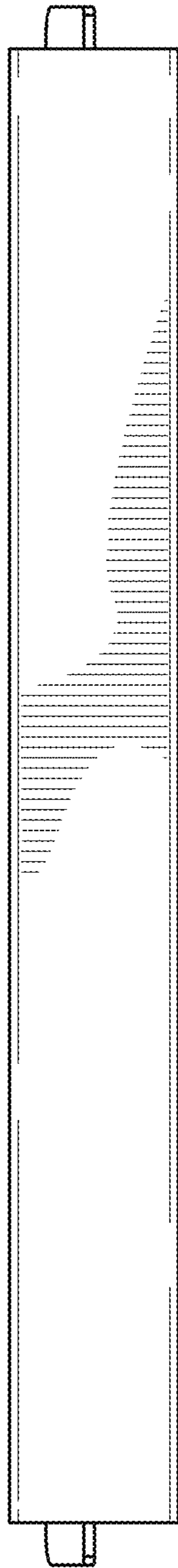


FIG. 7