

US00D695092S

(12) **United States Design Patent**
Krumpe

(10) **Patent No.:** **US D695,092 S**

(45) **Date of Patent:** **** Dec. 10, 2013**

(54) **WALL HOOK**

(75) Inventor: **Geraint Krumpe**, Chicago, IL (US)

(73) Assignee: **Liberty Hardware Mfg. Corp.**,
Winston-Salem, NC (US)

(**) Term: **14 Years**

(21) Appl. No.: **29/422,176**

(22) Filed: **May 17, 2012**

(51) **LOC (9) Cl.** **08-05**

(52) **U.S. Cl.**
USPC **D8/367**

(58) **Field of Classification Search**
USPC D8/367; D6/323; 248/301, 304, 215
See application file for complete search history.

(56) **References Cited**

U.S. PATENT DOCUMENTS

D360,573 S *	7/1995	Adams	D8/367
D368,016 S *	3/1996	McDowell et al.	D8/367
D368,017 S *	3/1996	McDowell et al.	D8/367
D396,184 S *	7/1998	Adams et al.	D8/395
D405,681 S *	2/1999	McDowell et al.	D8/367

D413,788 S *	9/1999	Adams et al.	D8/367
D416,788 S *	11/1999	Jones et al.	D8/395
D421,565 S *	3/2000	Jones et al.	D8/395
D654,705 S *	2/2012	Goodman et al.	D6/323
D666,084 S *	8/2012	Rojas et al.	D8/367

* cited by examiner

Primary Examiner — Holly Baynham

(74) *Attorney, Agent, or Firm* — Lora J. Graentzdoerffer

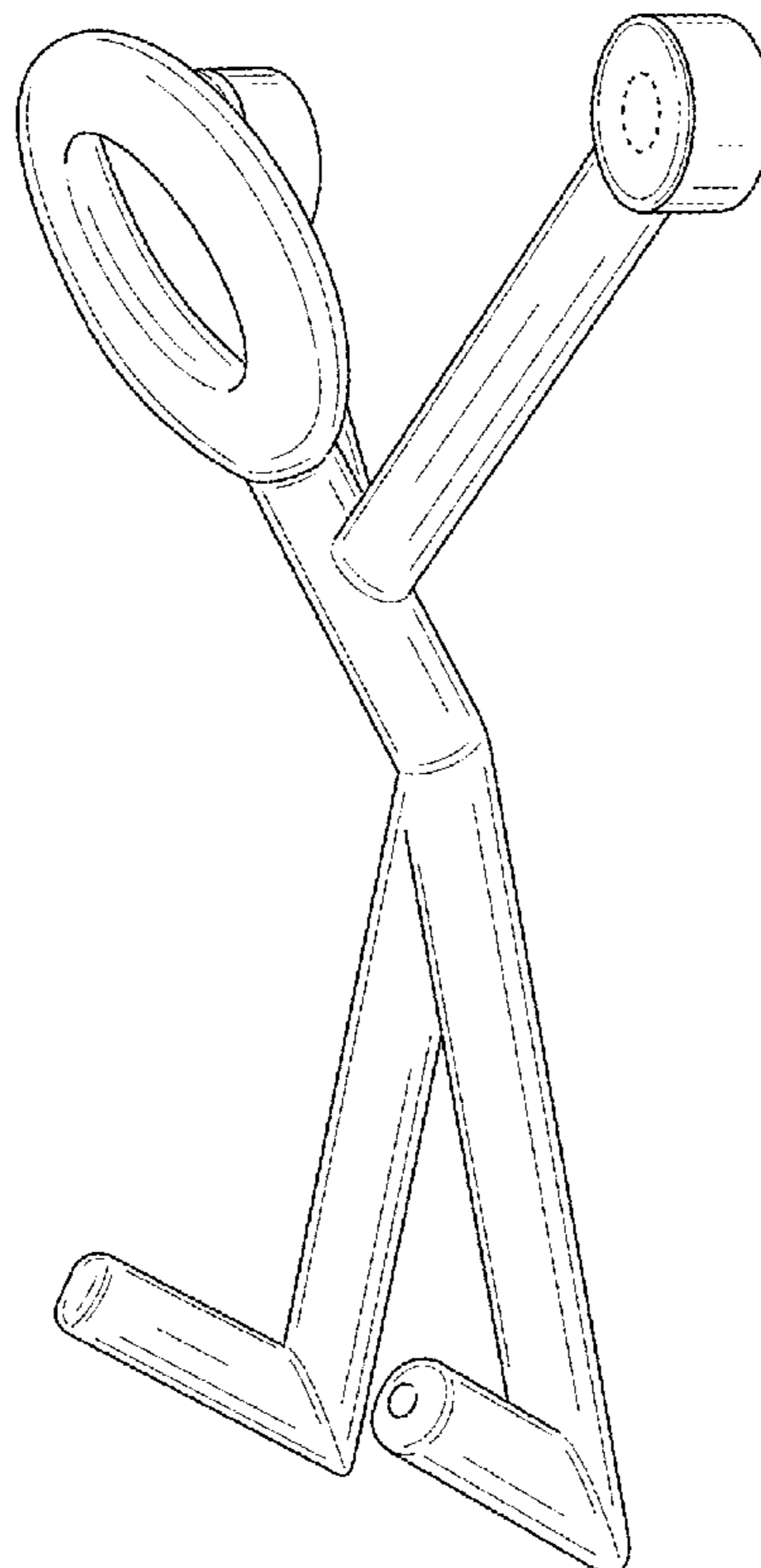
(57) **CLAIM**

The ornamental design for a wall hook, as shown and described.

DESCRIPTION

FIG. 1 is a perspective view thereof;
FIG. 2 is a front elevational view thereof;
FIG. 3 is a rear elevational view thereof;
FIG. 4 is a top plan view thereof;
FIG. 5 is a bottom plan view thereof;
FIG. 6 is a left side elevational view thereof; and,
FIG. 7 is a right side elevational view thereof.
The broken lines showing a strap, handle, zippers, zipper pulls and zipper tracks are for the purposes of illustrating environment and form no part of the claimed design.

1 Claim, 6 Drawing Sheets



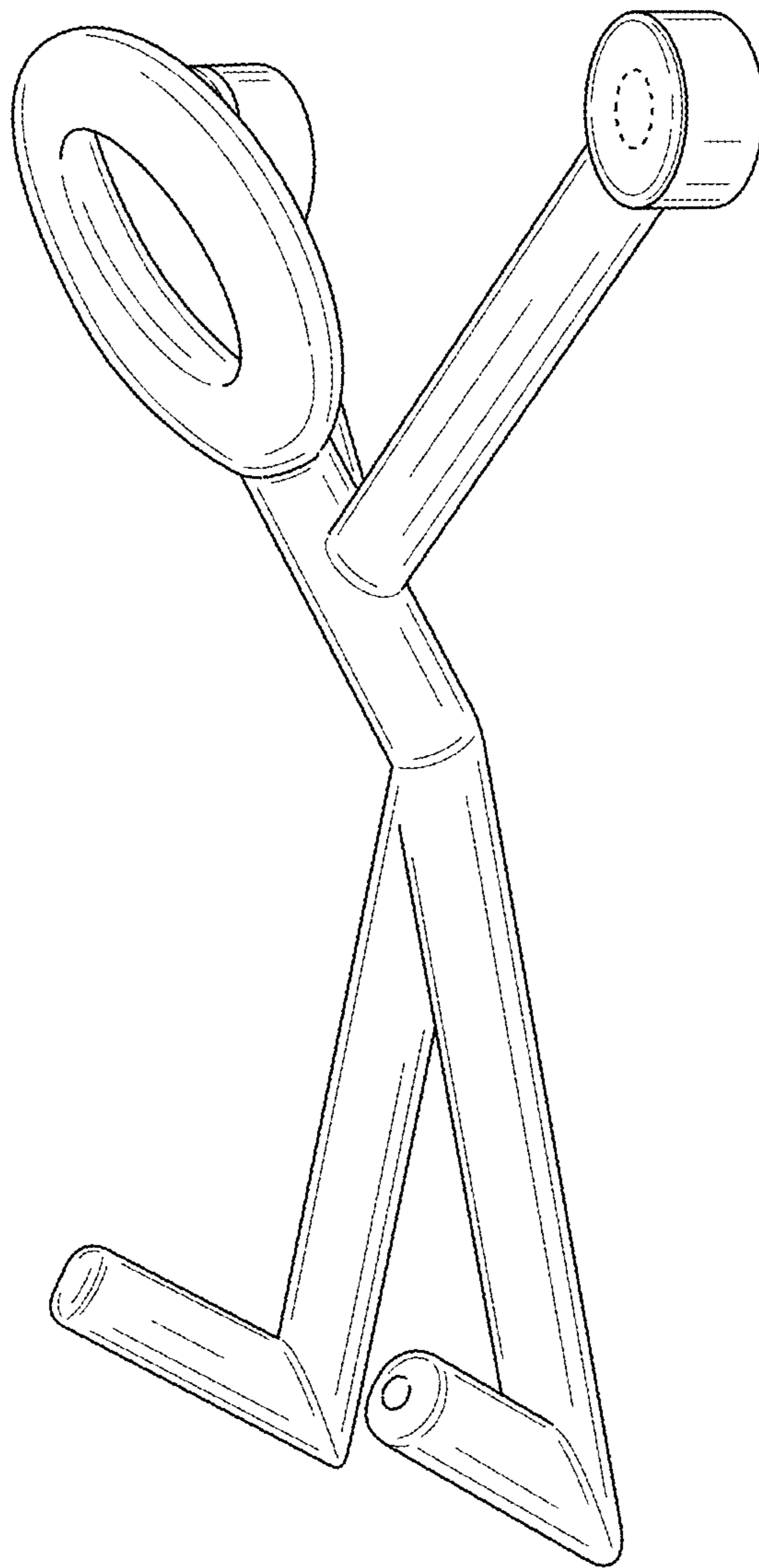


FIG. 1

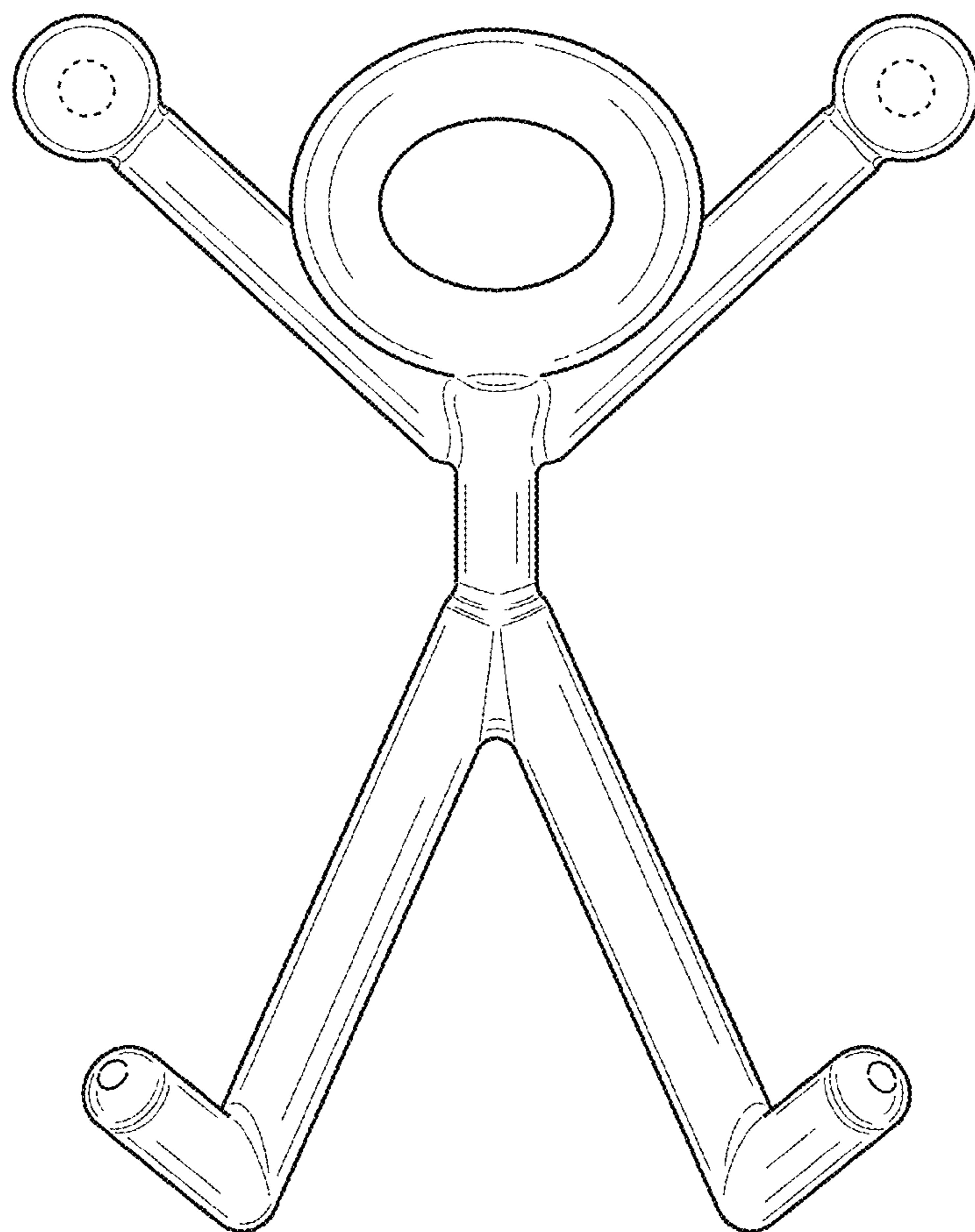


FIG. 2

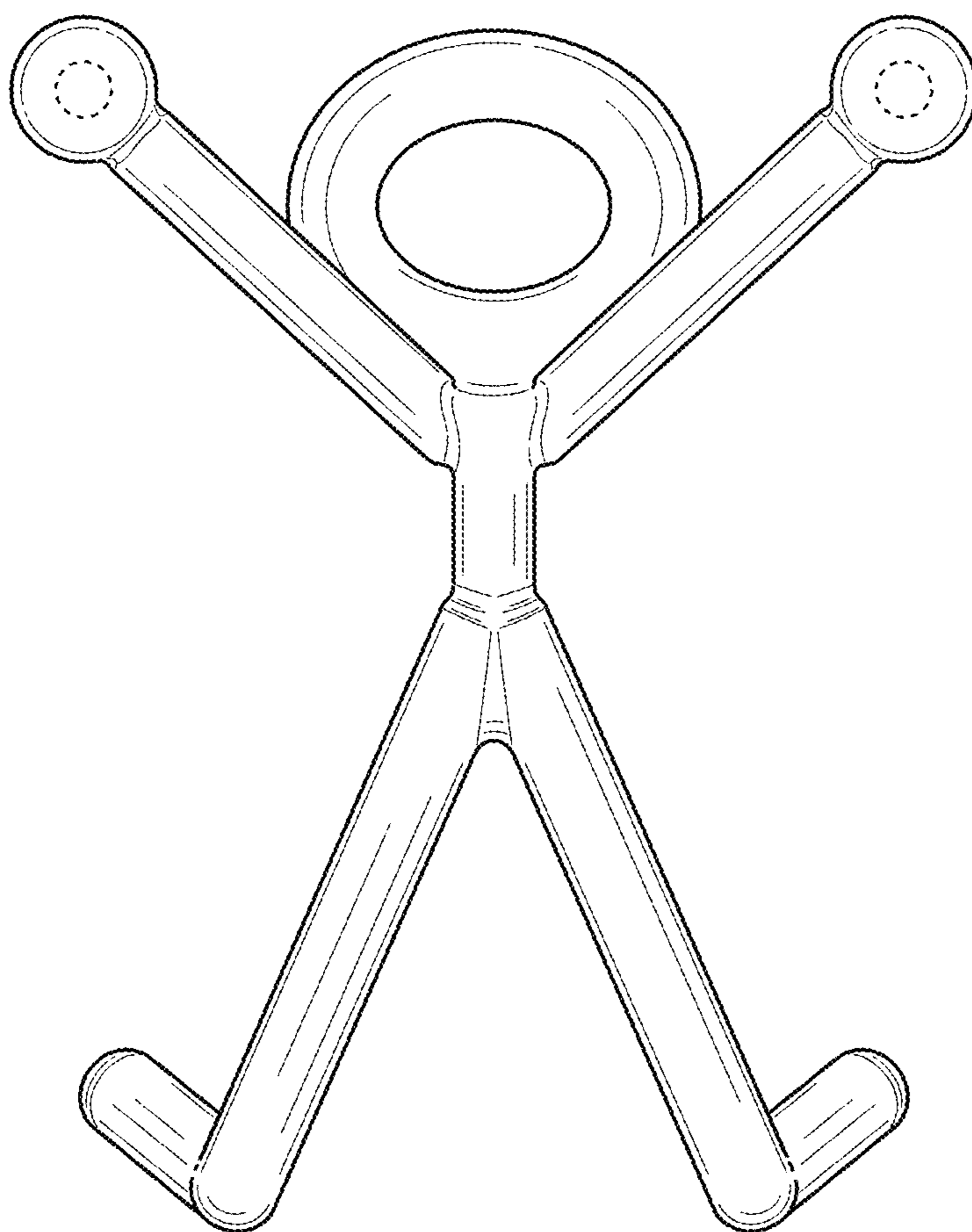


FIG. 3

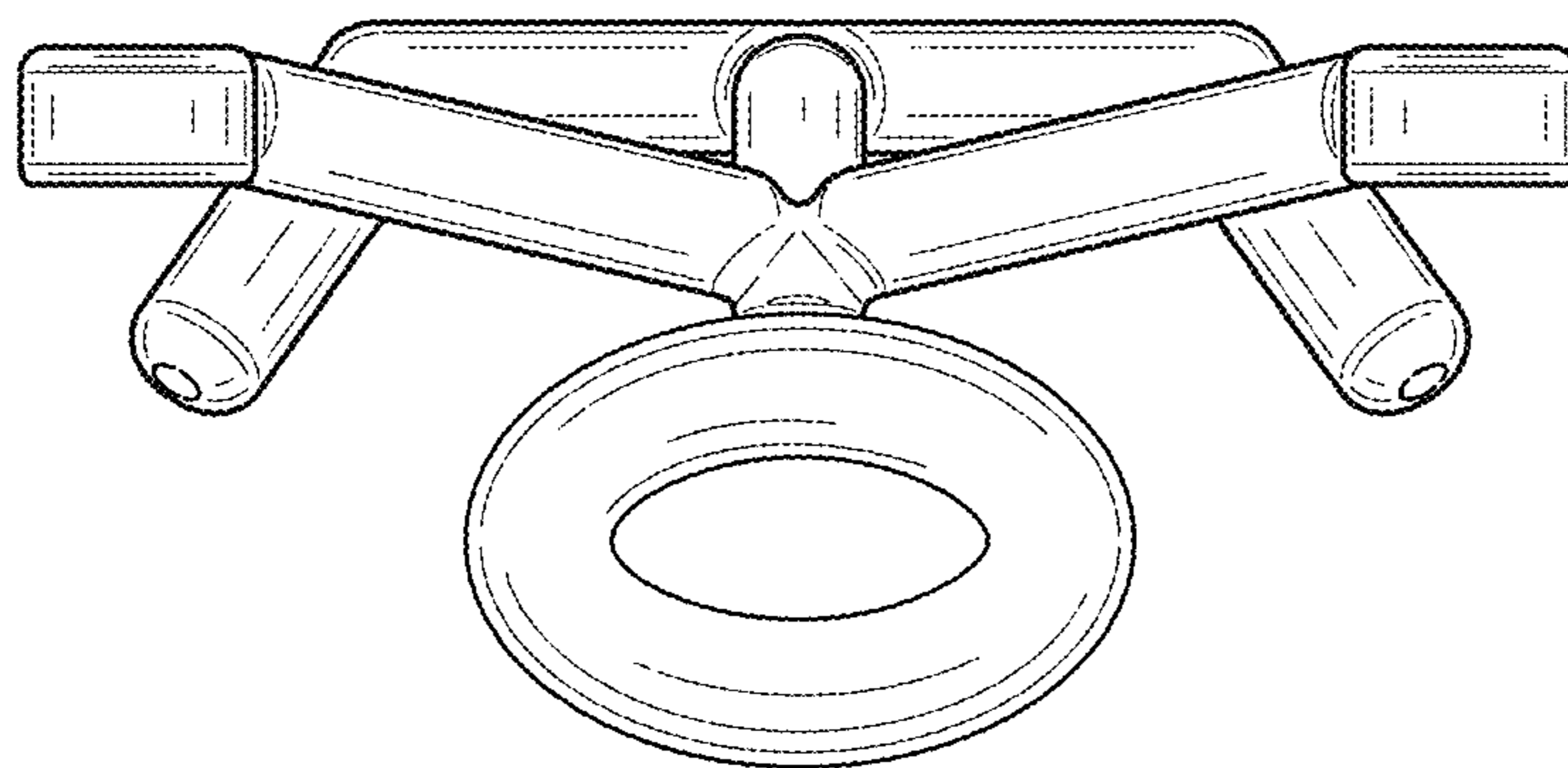


FIG. 4

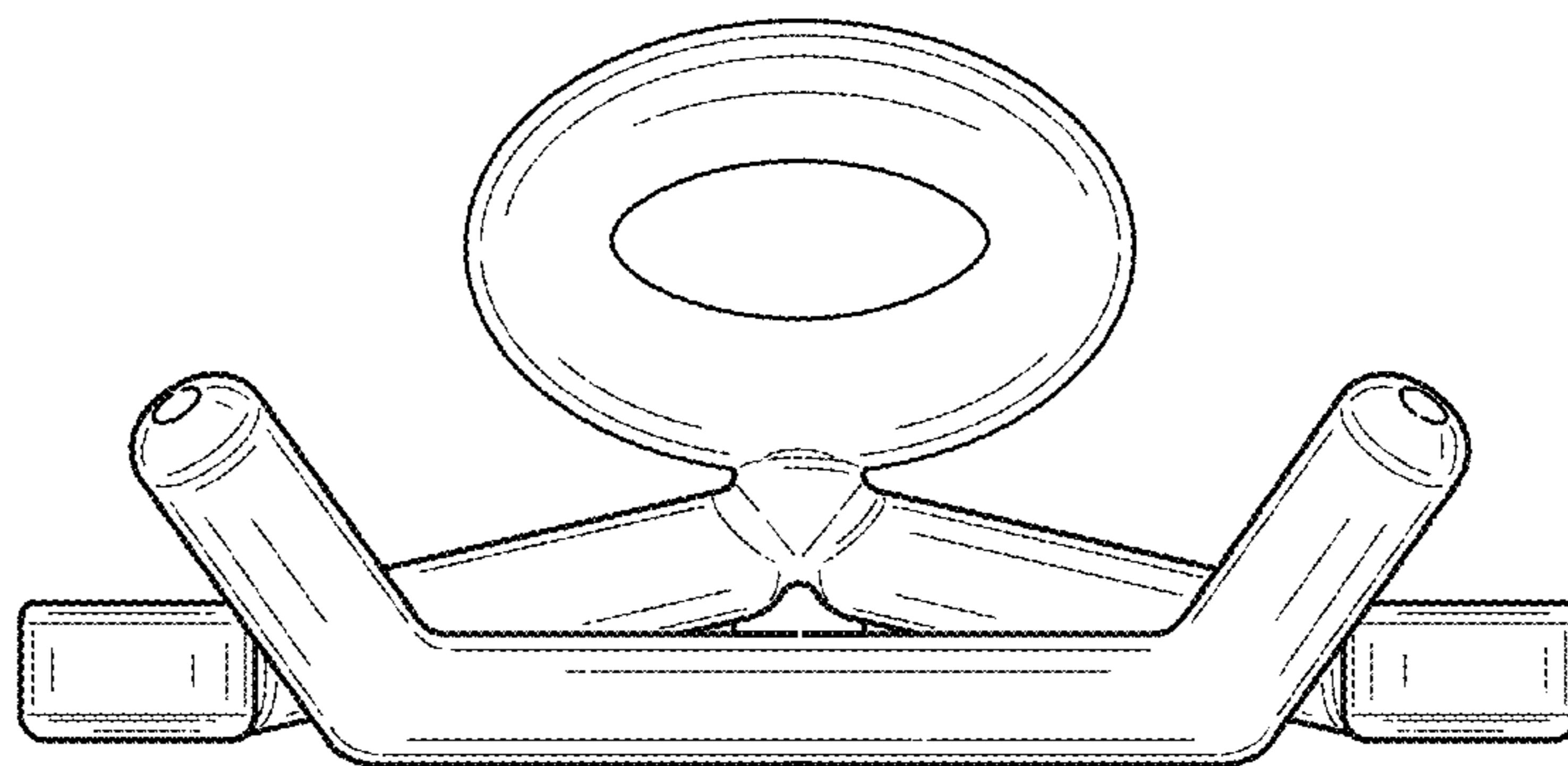


FIG. 5

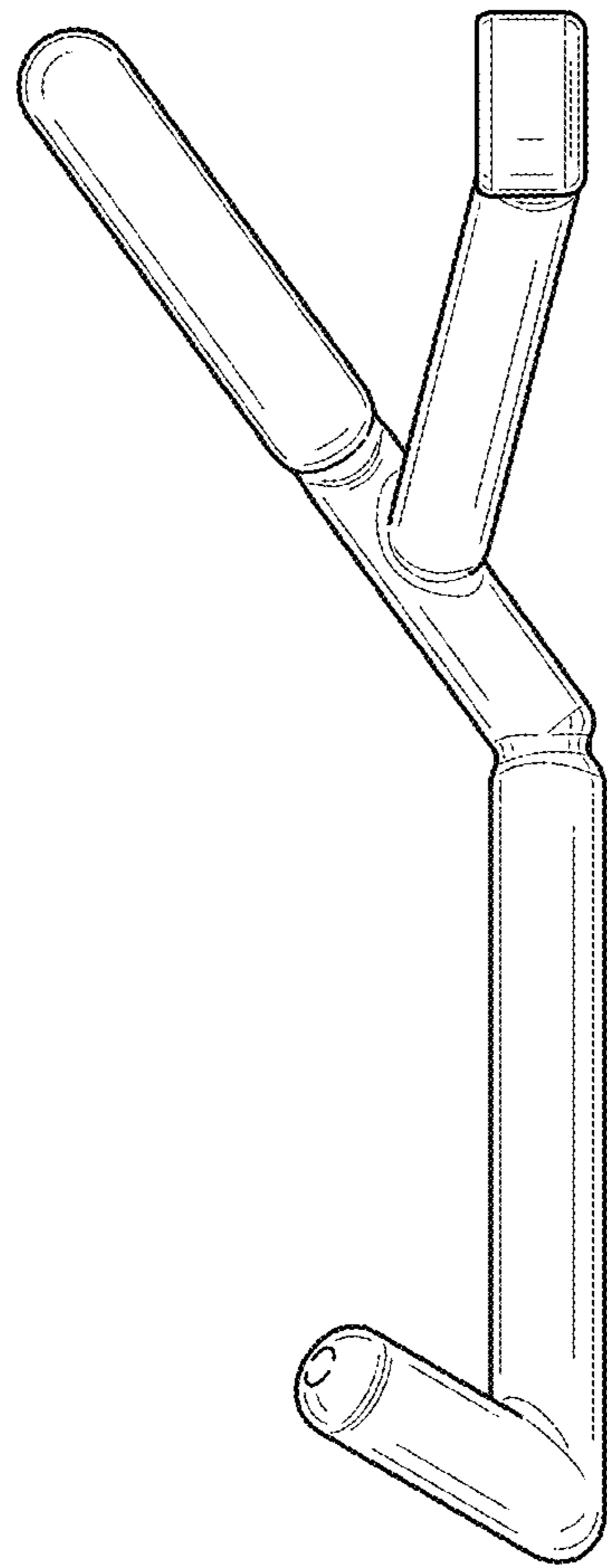


FIG. 6

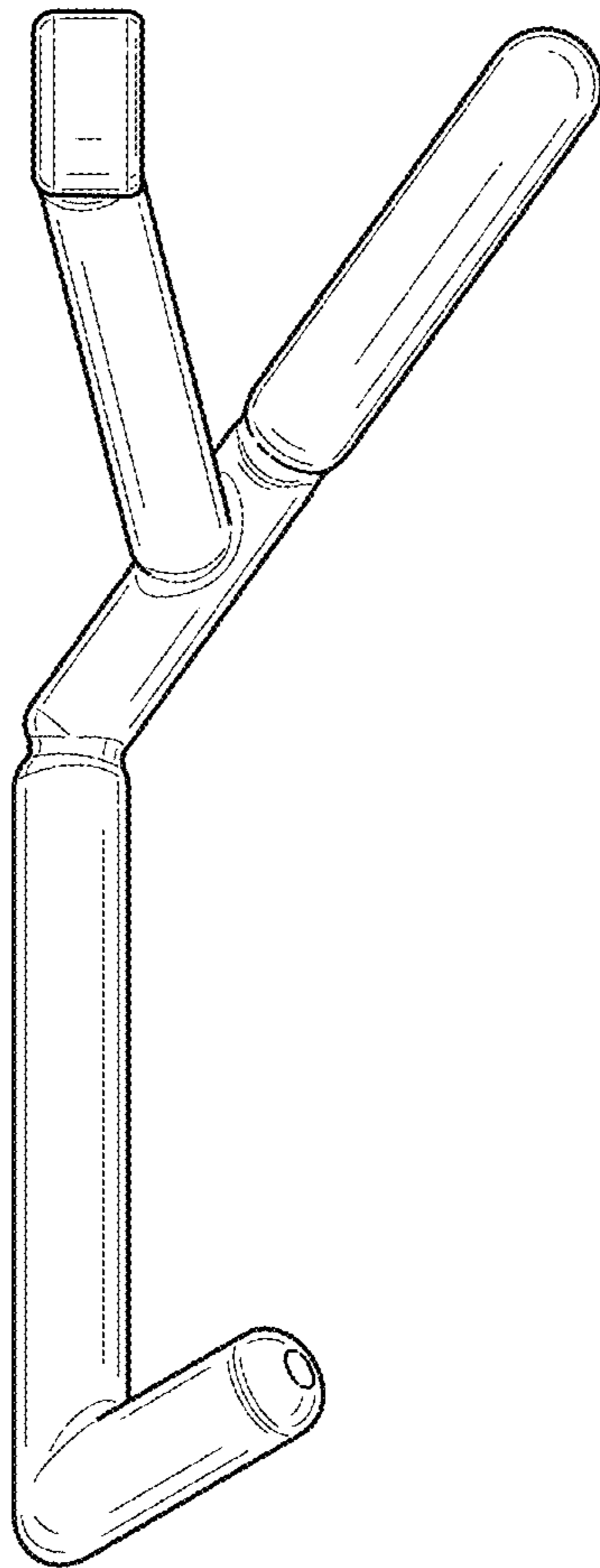


FIG. 7