

US00D695089S

(12) **United States Design Patent**
Nelson et al.

(10) **Patent No.:** **US D695,089 S**

(45) **Date of Patent:** **** Dec. 10, 2013**

(54) **TOOL HANDLE**

(75) Inventors: **Michael R. Nelson**, Peachtree City, GA (US); **Scott W. Moore**, Cass City, MI (US); **Bradley Spieker**, Acworth, GA (US); **Edwin L. Beck**, Delaware, OH (US); **Scott D. Lehman**, Marietta, GA (US); **Roger S. Pinnick**, Upper Arlington, OH (US)

(73) Assignee: **Homer TLC, Inc.**, Wilmington, DE (US)

(**) Term: **14 Years**

(21) Appl. No.: **29/416,944**

(22) Filed: **Mar. 28, 2012**

(51) **LOC (9) Cl.** **08-04**

(52) **U.S. Cl.**
USPC **D8/83**

(58) **Field of Classification Search**
USPC D8/82-87, 98-99, 105, 107;
81/177.1-177.7, 436, 438, 489
See application file for complete search history.

(56) **References Cited**

U.S. PATENT DOCUMENTS

D401,130 S * 11/1998 Maier et al. D8/87
6,681,664 B1 * 1/2004 Hsien 81/489

D494,039 S * 8/2004 Tsai D8/107
D508,638 S * 8/2005 Meyer et al. D8/10
D523,234 S * 6/2006 DeBoer et al. D8/87
7,086,109 B2 * 8/2006 Fisher et al. 7/165
D642,887 S * 8/2011 Good D8/83
D671,813 S * 12/2012 Lin D8/83

* cited by examiner

Primary Examiner — Philip S Hyder

Assistant Examiner — Roselynn Cody

(74) *Attorney, Agent, or Firm* — Fulbright & Jaworski LLP

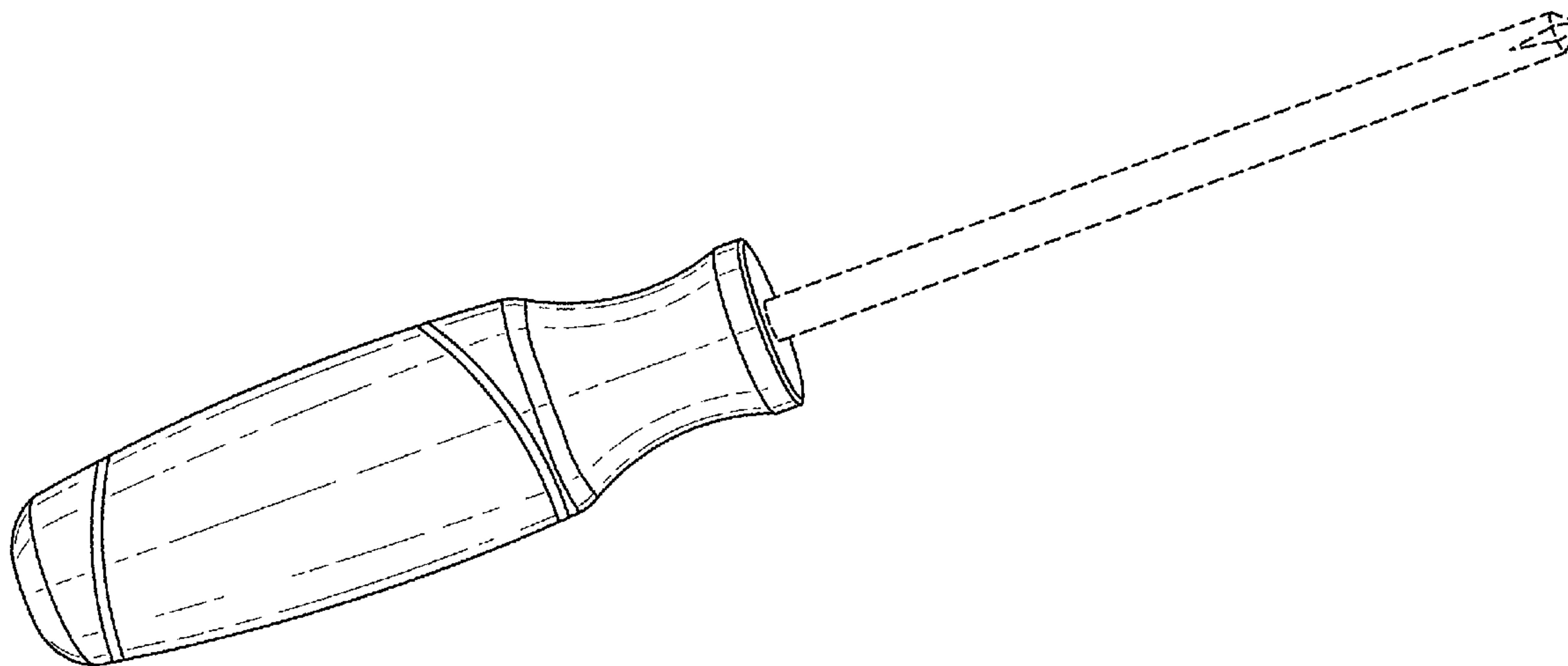
(57) **CLAIM**

The ornamental design for a tool handle, as shown and described.

DESCRIPTION

FIG. 1 is a front perspective view of the tool handle.
FIG. 2 is a first side elevation view of the design of FIG. 1.
FIG. 3 is a second side elevation view of the design of FIG. 1.
FIG. 4 is a third side elevation view of the design of FIG. 1.
FIG. 5 is a fourth side elevation view of the design of FIG. 1.
FIG. 6 is a bottom view of the design of FIG. 1; and,
FIG. 7 is a top view of the design of FIG. 1.
The broken lines in the drawings illustrate environmental structure and form no part of the claimed design.

1 Claim, 4 Drawing Sheets



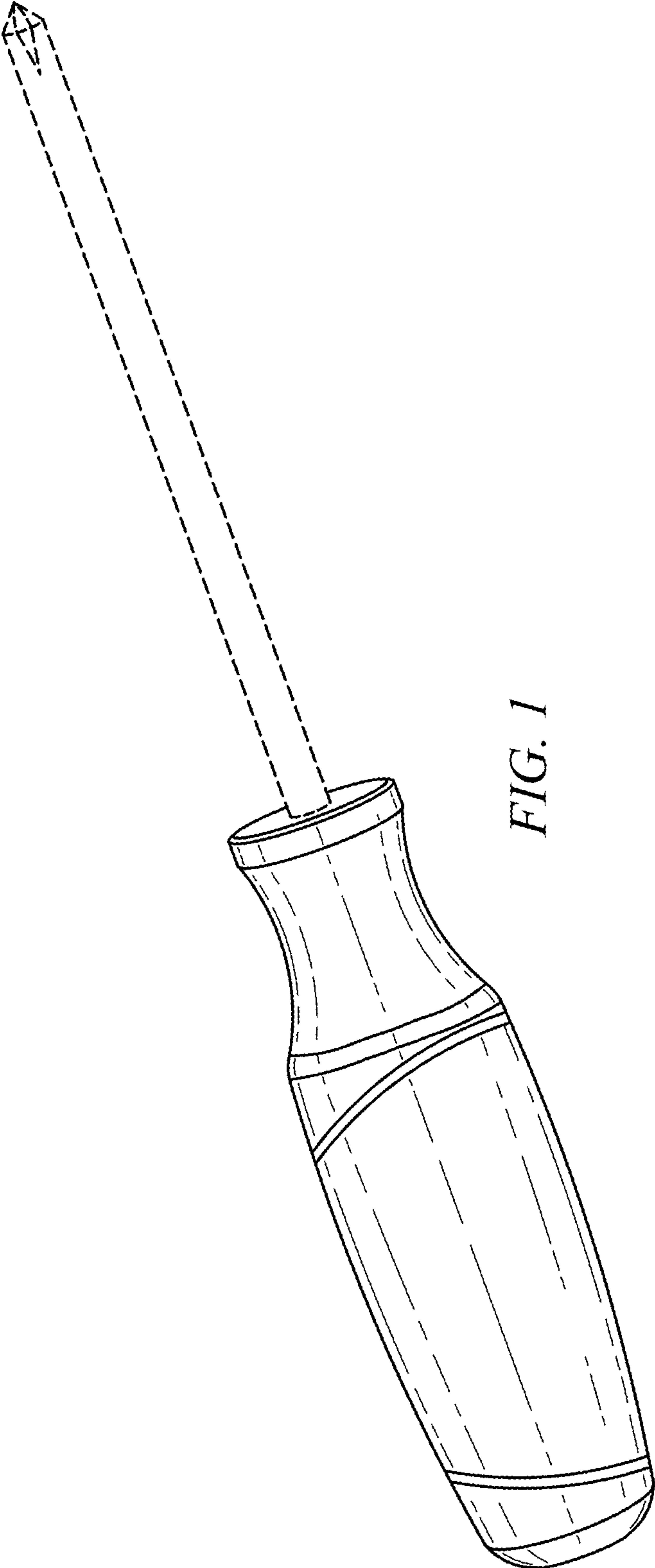


FIG. 1

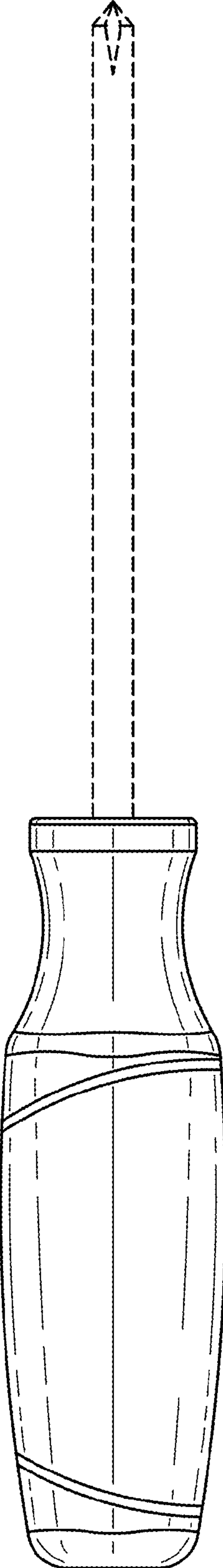


FIG. 2

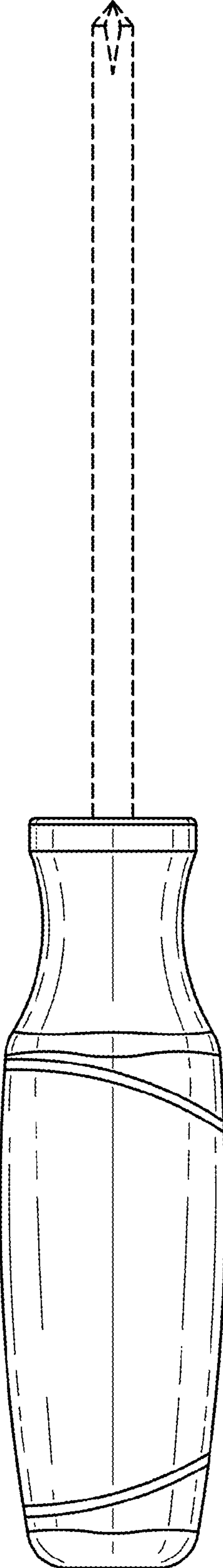


FIG. 3

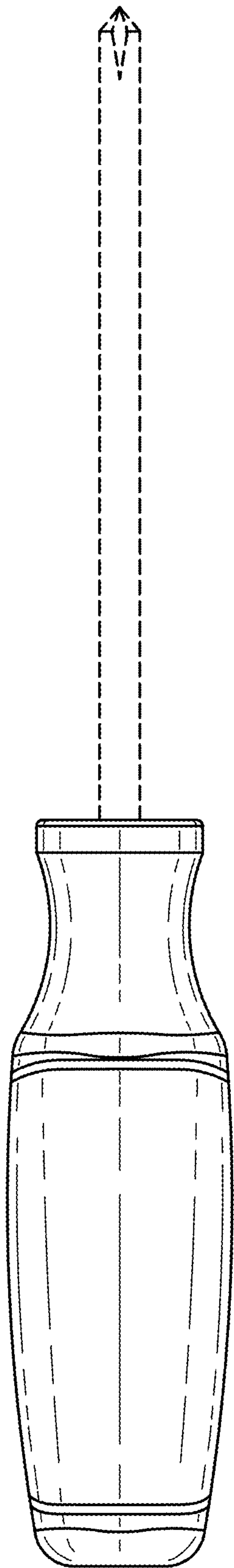


FIG. 4

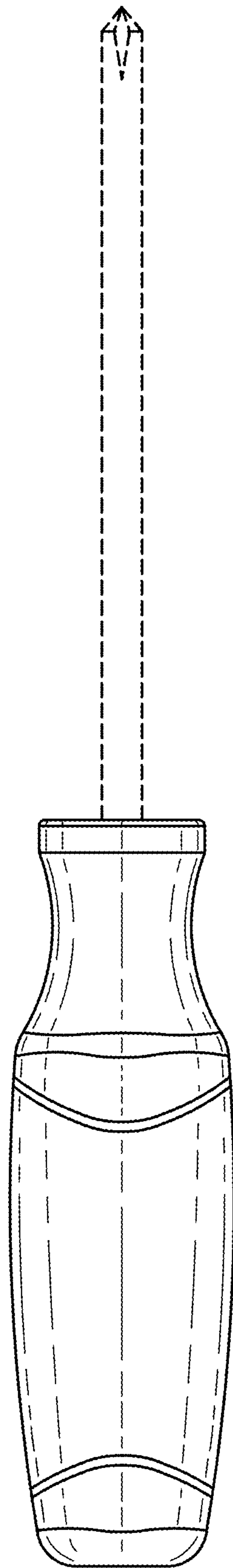


FIG. 5

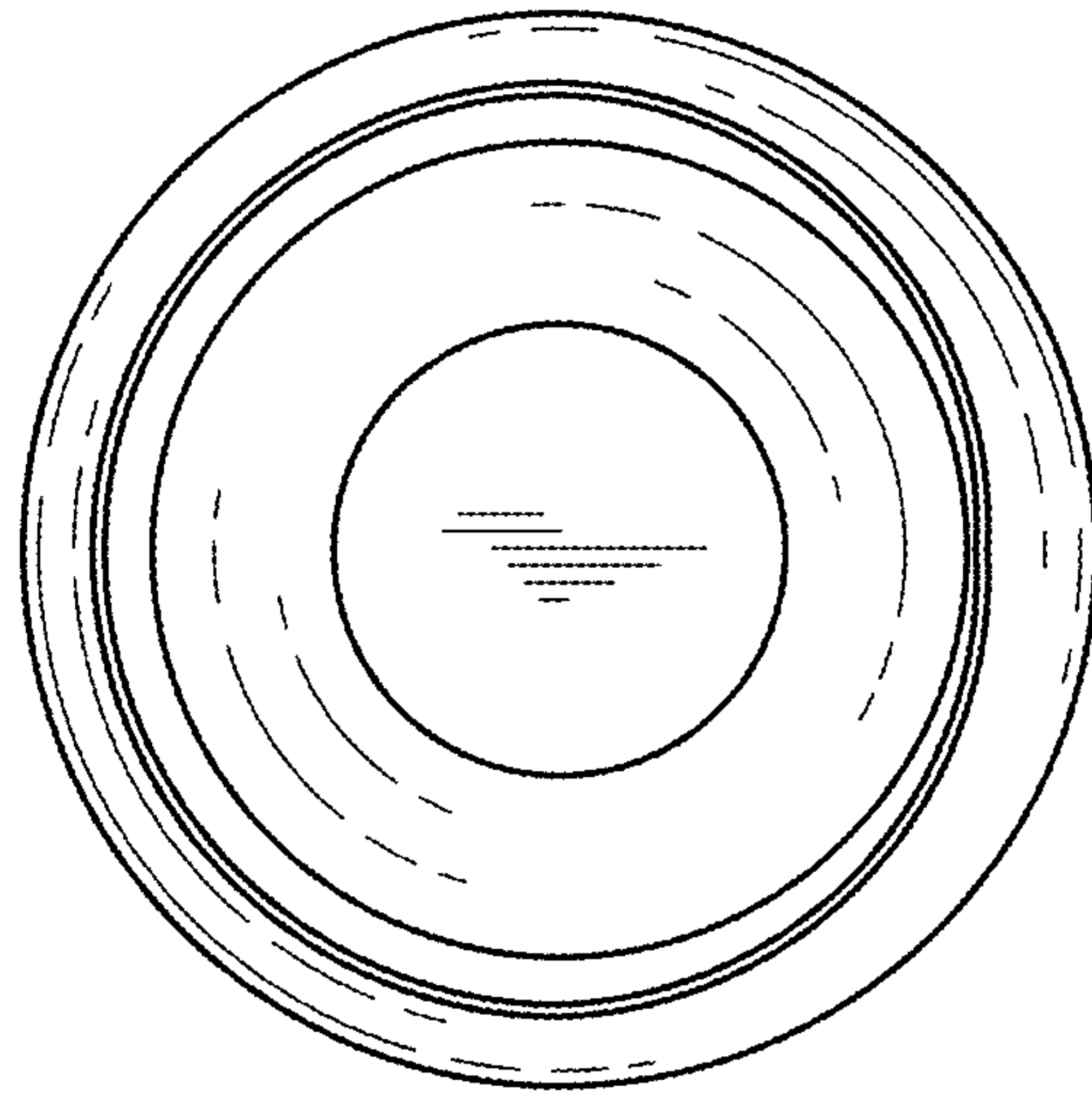


FIG. 6

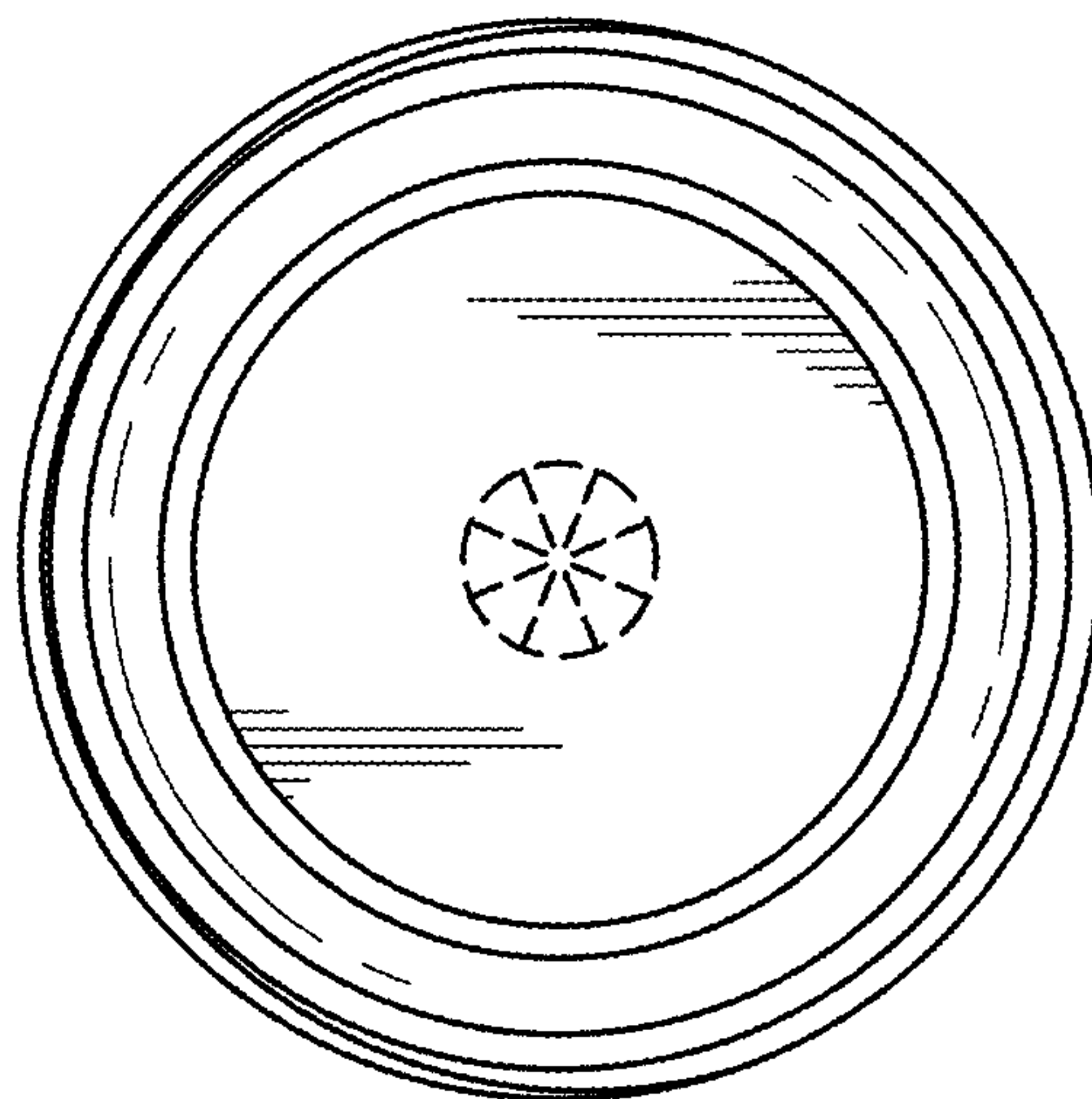


FIG. 7