



US00D695088S

(12) **United States Design Patent**  
**Trice**

(10) **Patent No.:** **US D695,088 S**

(45) **Date of Patent:** **\*\* Dec. 10, 2013**

(54) **DEMOLITION TOOL**

(75) Inventor: **Evers C. Trice**, Frederick, MD (US)

(73) Assignee: **Trice Enterprise, LLC**, Frederick, MD (US)

(\*\*) Term: **14 Years**

(21) Appl. No.: **29/421,505**

(22) Filed: **Aug. 3, 2012**

**Related U.S. Application Data**

(63) Continuation-in-part of application No. 13/064,955, filed on Apr. 28, 2011, now Pat. No. 8,458,838.

(51) **LOC (9) Cl.** ..... **08-02**

(52) **U.S. Cl.**  
USPC ..... **D8/81**

(58) **Field of Classification Search**  
USPC ..... D8/14, 47, 75, 78-81, 105, 107;  
7/143-147; 81/20-24; 254/26 R  
See application file for complete search history.

(56) **References Cited**

**U.S. PATENT DOCUMENTS**

905,676	A *	12/1908	Evans	.....	254/26 R
1,042,177	A *	10/1912	Vredenburg	.....	254/26 R
D57,662	S *	4/1921	Kingston	.....	D8/81
1,536,319	A	5/1925	Yost		
D110,735	S *	8/1938	Rubel	.....	D8/75
D140,821	S *	4/1945	MacWithey	.....	D8/79
2,490,684	A	12/1949	Gosselin		
2,839,862	A *	6/1958	Hanshaw	.....	43/6
2,957,468	A *	10/1960	Enfield	.....	124/57
3,006,330	A *	10/1961	De Bach	.....	124/22
D203,769	S *	2/1966	Rando	.....	D8/26
3,710,407	A *	1/1973	Reid	.....	7/144
D262,186	S *	12/1981	Royce	.....	D8/79

4,505,482	A *	3/1985	Martin, Sr.	.....	473/583
4,616,835	A *	10/1986	Trotter	.....	473/583
D291,402	S *	8/1987	Square	.....	D8/75
D300,111	S *	3/1989	Square	.....	D8/75
5,088,174	A	2/1992	Hull et al.		
5,243,778	A *	9/1993	Henley	.....	43/6
5,428,853	A	7/1995	Menke et al.		
D369,734	S *	5/1996	Sanger	.....	D8/78
5,904,132	A *	5/1999	Biller	.....	124/22
6,543,824	B2	4/2003	Beaudrie		
D525,506	S *	7/2006	Downing, Jr.	.....	D8/78
D558,552	S *	1/2008	Kuo	.....	D8/75
D562,101	S *	2/2008	Martone et al.	.....	D8/89
D567,620	S *	4/2008	Martone et al.	.....	D8/81
D579,301	S *	10/2008	Jones	.....	D8/105
D595,555	S *	7/2009	Vanderbeek	.....	D8/89

(Continued)

*Primary Examiner* — Philip S Hyder

*Assistant Examiner* — Roselynn Cody

(74) *Attorney, Agent, or Firm* — Breiner & Breiner, L.L.C.

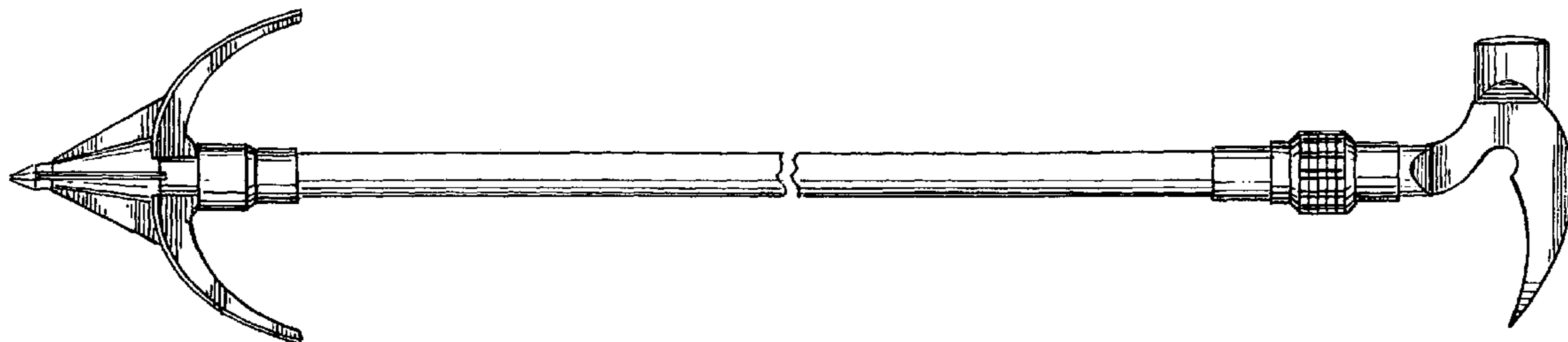
(57) **CLAIM**

The ornamental design for a demolition tool, as shown and described.

**DESCRIPTION**

FIG. 1 is a side view of the demolition tool in a first position with the talons open;  
FIG. 2 is side view of the demolition tool in a second position with the sleeve lowered and the talons closed;  
FIG. 3 is a top view of the demolition tool of FIG. 1;  
FIG. 4 is a bottom view of the demolition tool of FIG. 1;  
FIG. 5 is a first end view of the demolition tool of FIG. 1; and,  
FIG. 6 is a second end view of the demolition tool of FIG. 1.  
The jagged lines separating the two portions of the shaft indicate that any portion of the article beyond what is shown forms no part of the claim.

**1 Claim, 2 Drawing Sheets**



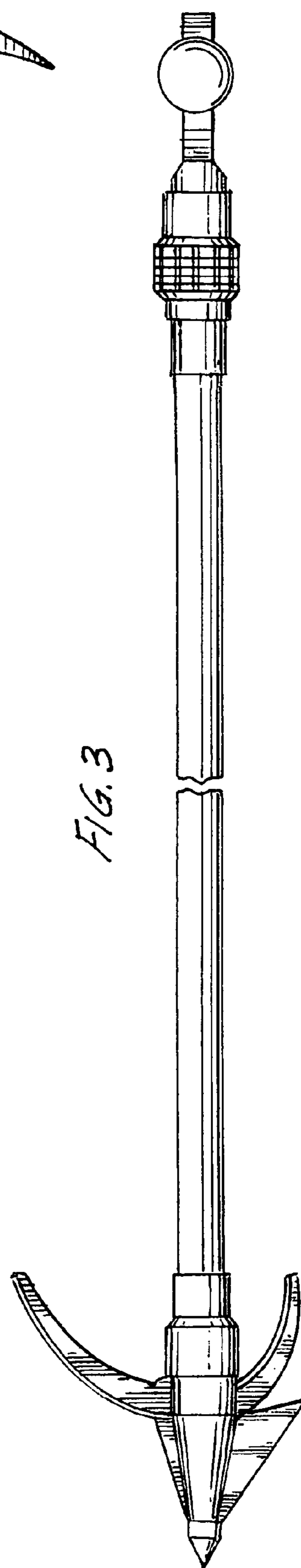
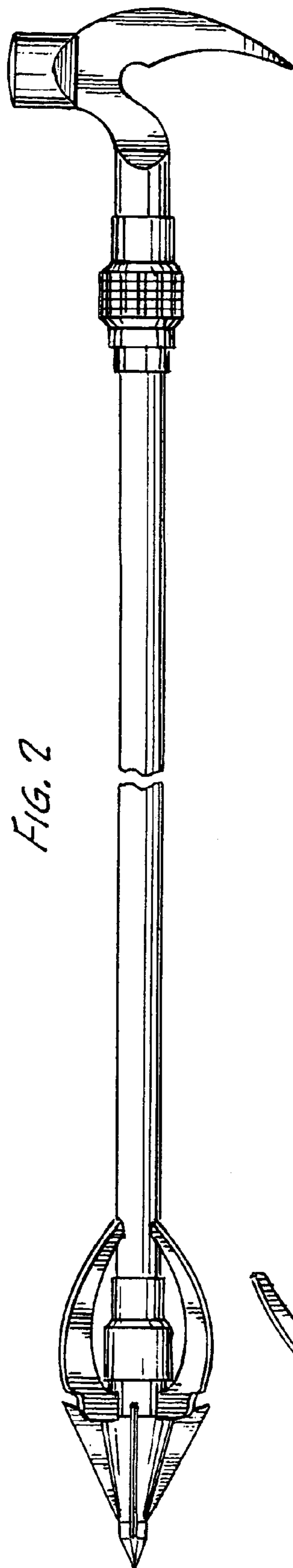
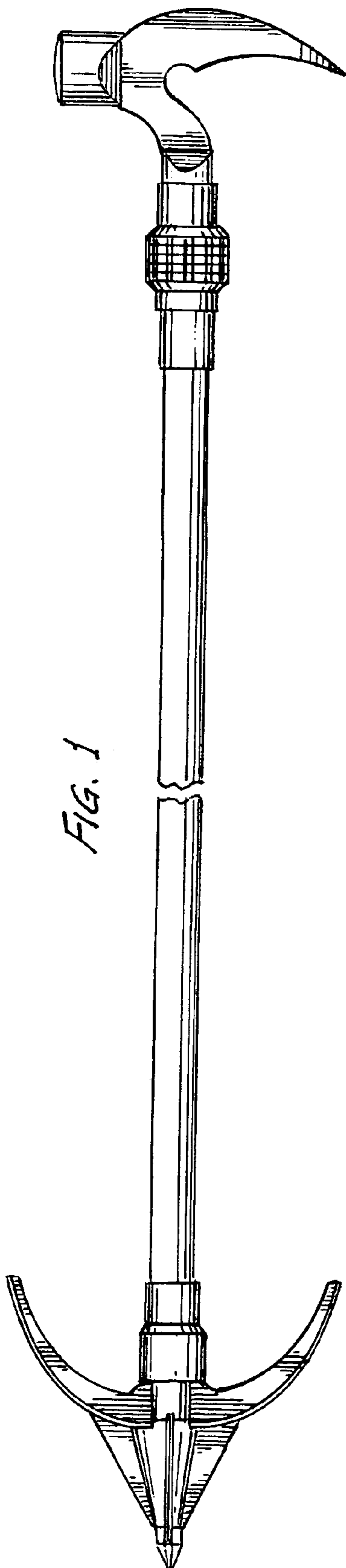
(56)

**References Cited**

U.S. PATENT DOCUMENTS

D604,136 S *	11/2009	Youngren et al. ....	D8/78	8,117,702 B2 *	2/2012	Woolley et al. ....	7/146
D605,020 S *	12/2009	Martone et al. ....	D8/79	2003/0192187 A1	10/2003	Bean	
7,634,830 B2	12/2009	Ryan		2007/0234575 A1	10/2007	Petty	
D617,624 S *	6/2010	Tygh .....	D8/105	2009/0000097 A1	1/2009	Dapkins, Jr. et al.	
D628,035 S *	11/2010	Paige .....	D8/14	2009/0271929 A1 *	11/2009	Adams et al. ....	7/144
8,024,994 B2 *	9/2011	St. John et al. ....	81/22	2009/0276962 A1 *	11/2009	Adams et al. ....	7/144
				2010/0263133 A1 *	10/2010	Langan .....	7/143
				2011/0113566 A1 *	5/2011	Holbrook .....	7/146
				2012/0272459 A1 *	11/2012	Trice .....	7/144

\* cited by examiner



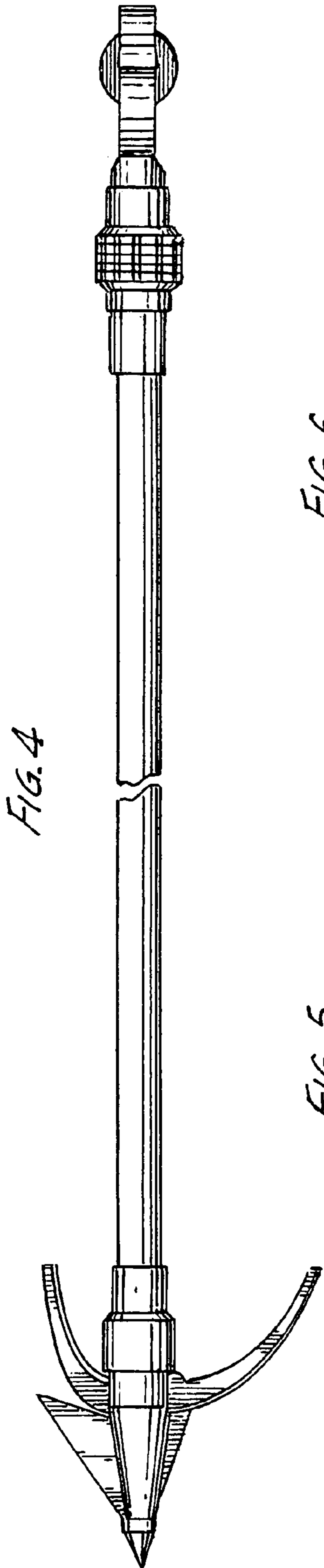


FIG. 6

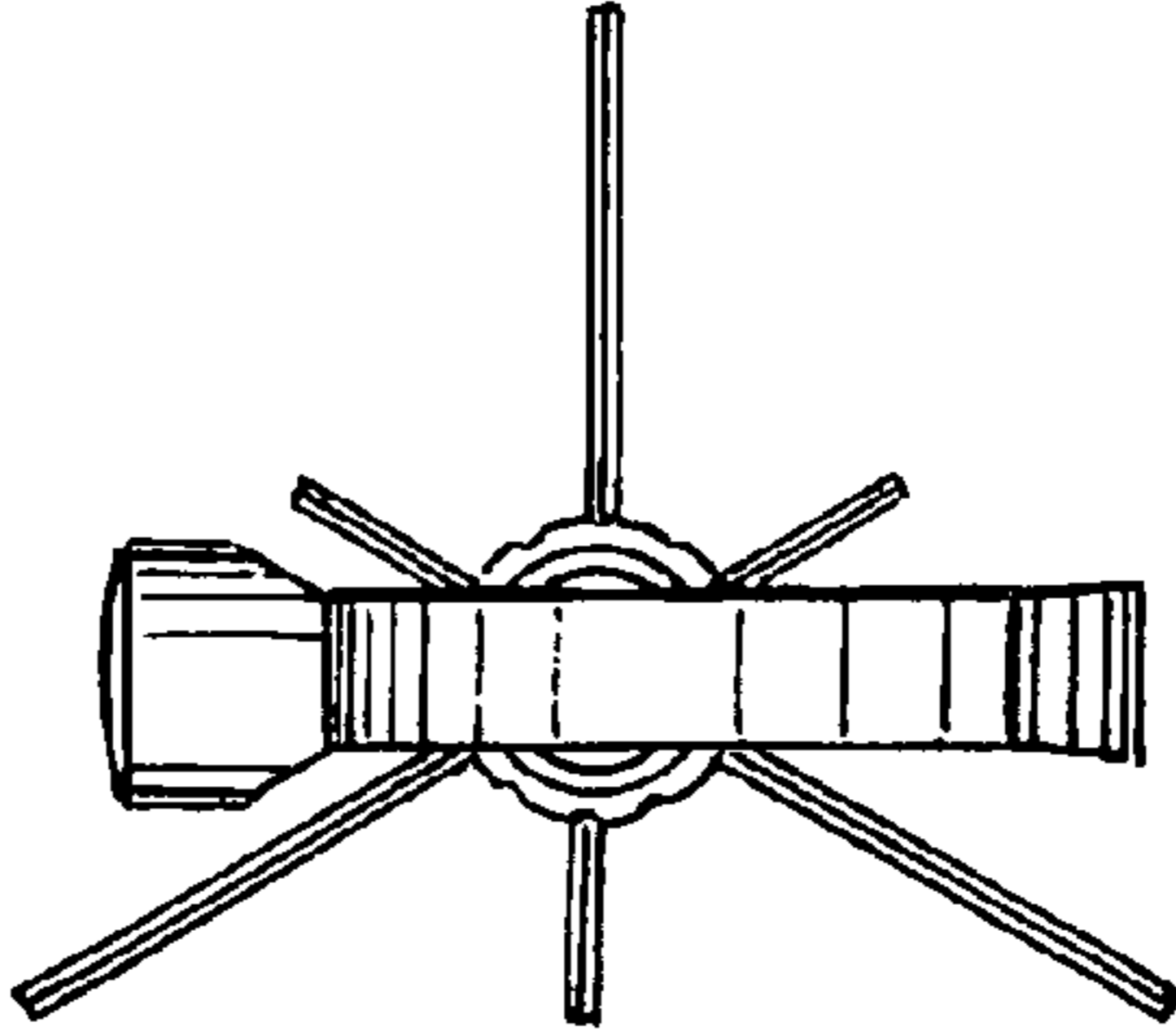


FIG. 5

