



US00D695087S

(12) **United States Design Patent**  
**Vaughan**

(10) **Patent No.:** **US D695,087 S**

(45) **Date of Patent:** **\*\* Dec. 10, 2013**

(54) **HAMMER HEAD**

(75) Inventor: **Charles S. Vaughan**, Hebron, IL (US)

(73) Assignee: **Vaughan & Bushnell Manufacturing Company**, Hebron, IL (US)

(\*\*) Term: **14 Years**

(21) Appl. No.: **29/407,936**

(22) Filed: **Dec. 5, 2011**

(51) **LOC (9) Cl.** ..... **08-02**

(52) **U.S. Cl.**

USPC ..... **D8/75**

(58) **Field of Classification Search**

USPC ..... D8/75-81; 81/19-24, 26; 76/103;  
125/40

See application file for complete search history.

(56) **References Cited**

**U.S. PATENT DOCUMENTS**

D353,758 S \* 12/1994 Frykman ..... D8/78  
D432,380 S \* 10/2000 Goble et al. .... D8/78

D442,048 S \* 5/2001 Coonrad ..... D8/75  
D449,770 S \* 10/2001 Chen ..... D8/75  
D478,264 S \* 8/2003 Chen ..... D8/78

\* cited by examiner

*Primary Examiner* — Philip S Hyder

*Assistant Examiner* — Roselynn Cody

(74) *Attorney, Agent, or Firm* — Andrew F. Young, Esq.;  
Lackebach Siegel, LLP

(57) **CLAIM**

The ornamental design for a hammer head, as shown and described.

**DESCRIPTION**

FIG. 1 is a front perspective view of the present invention.

FIG. 2 is a rear perspective view of FIG. 1.

FIG. 3 is a front elevation view of FIG. 1.

FIG. 4 is a top plan view of FIG. 1.

FIG. 5 is a rear elevation view of FIG. 1.

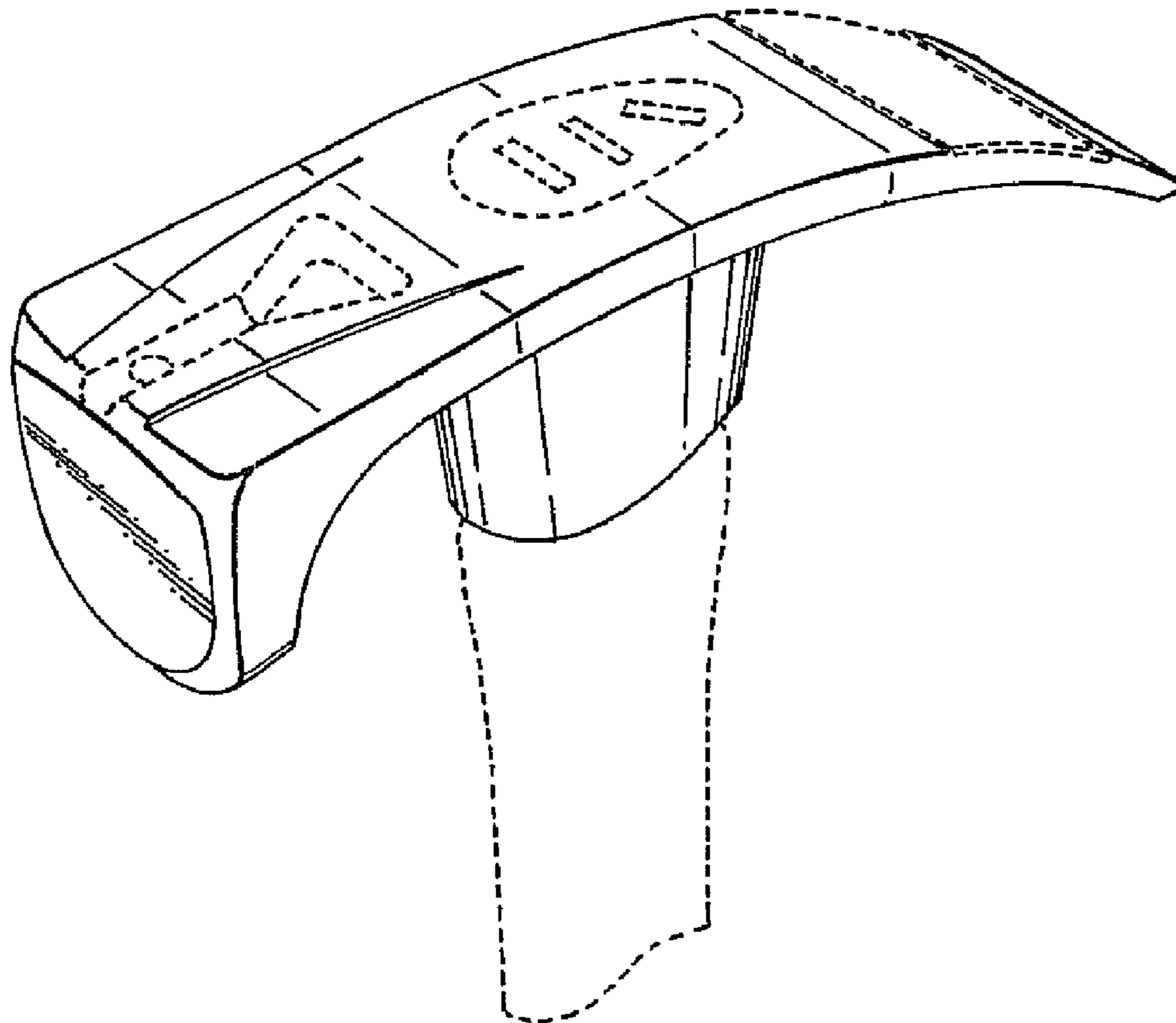
FIG. 6 is a bottom plan view of FIG. 1.

FIG. 7 is a left side elevation view of FIG. 1; and,

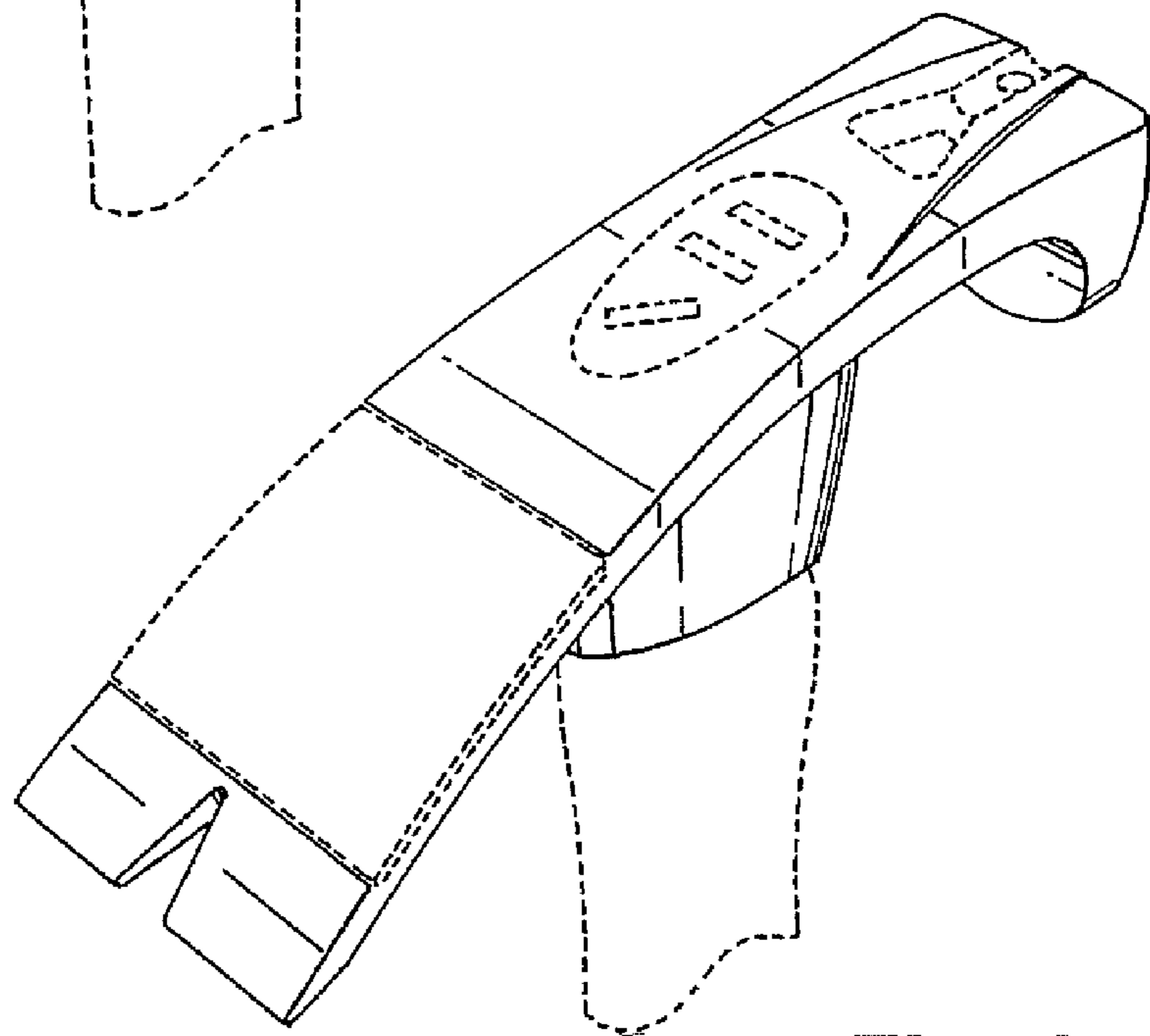
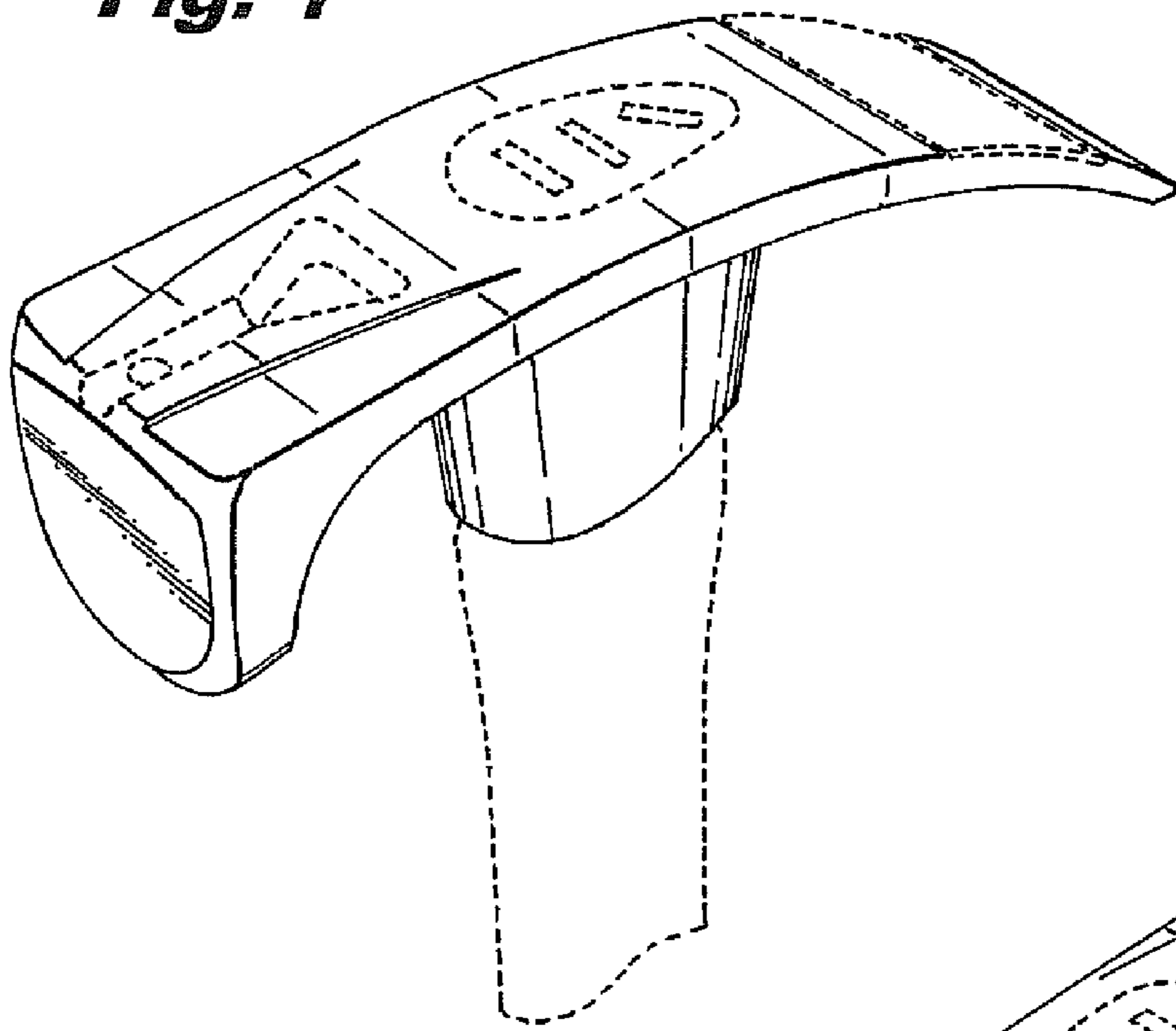
FIG. 8 is a right side elevation view of FIG. 1.

The dashed lines in the views illustrate features that form no part of the claimed design.

**1 Claim, 4 Drawing Sheets**

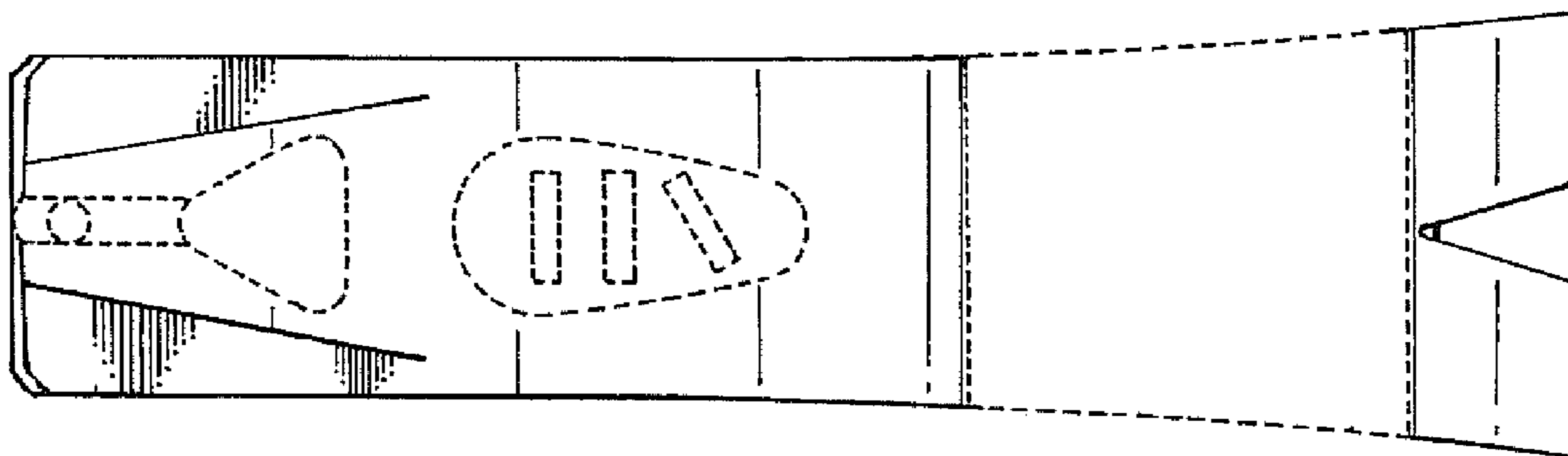
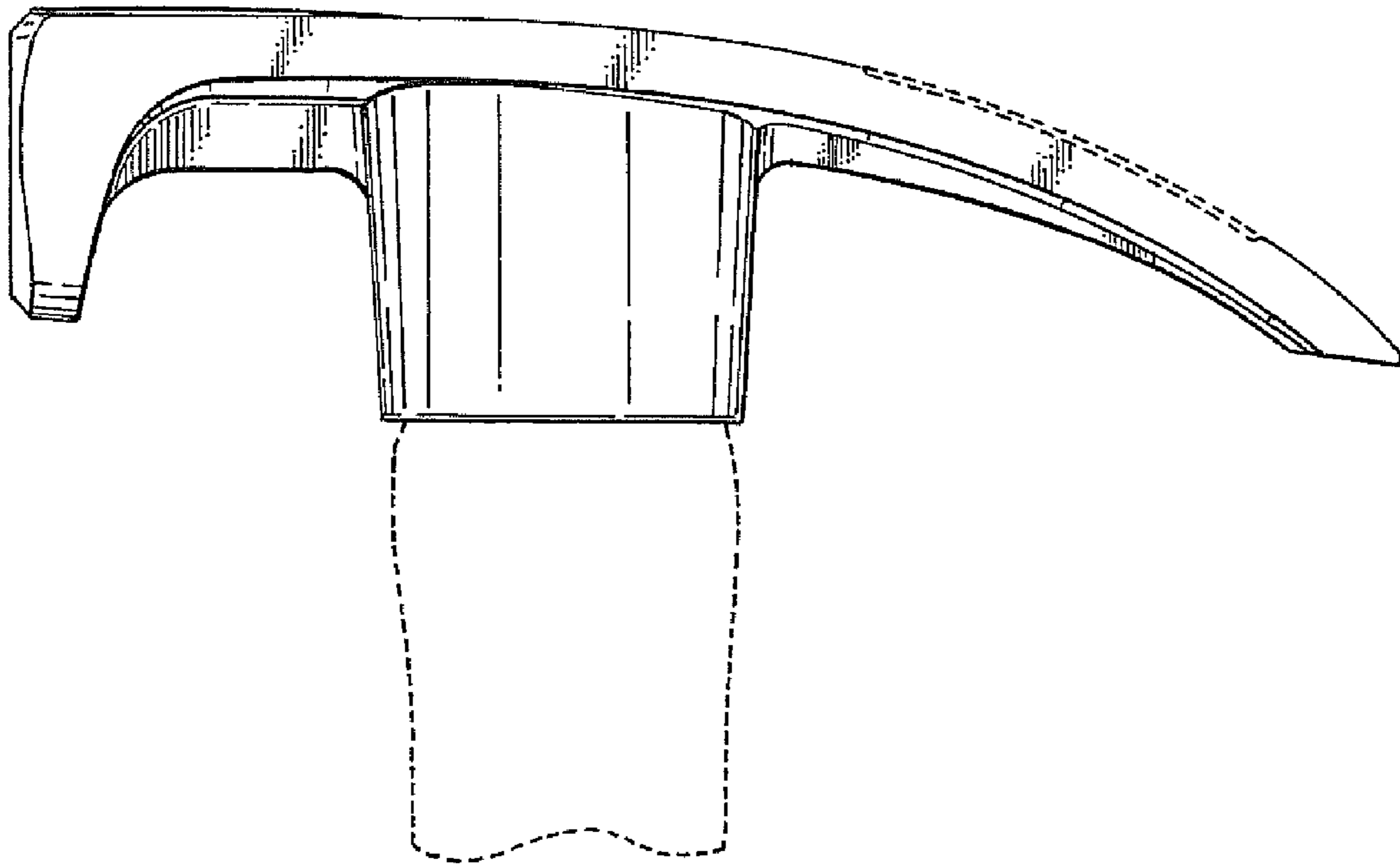


**Fig. 1**



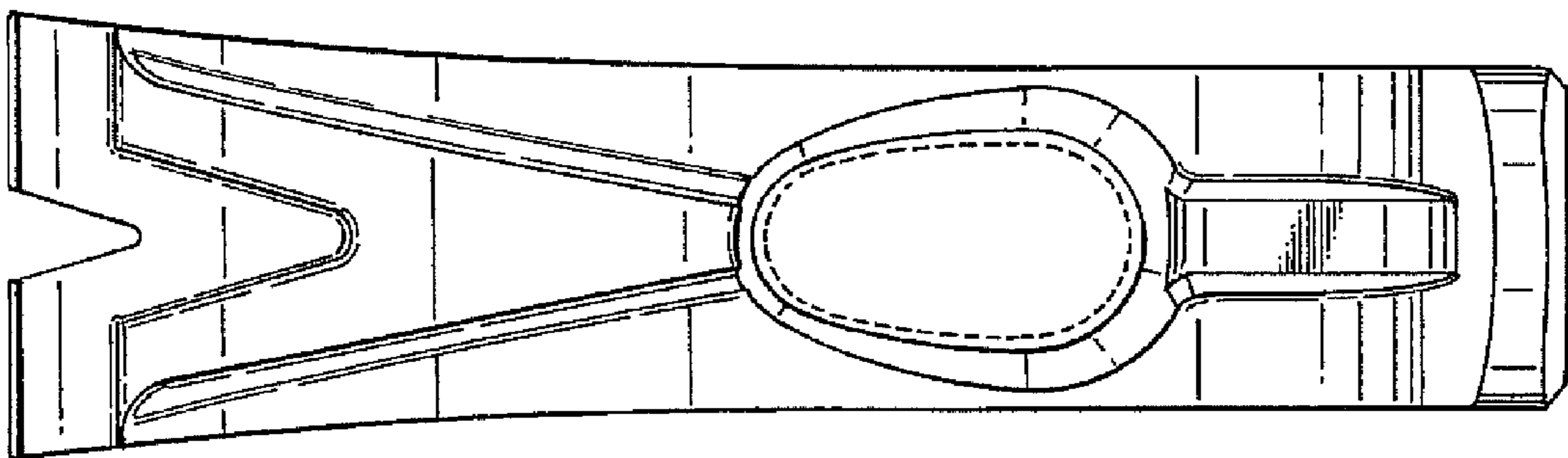
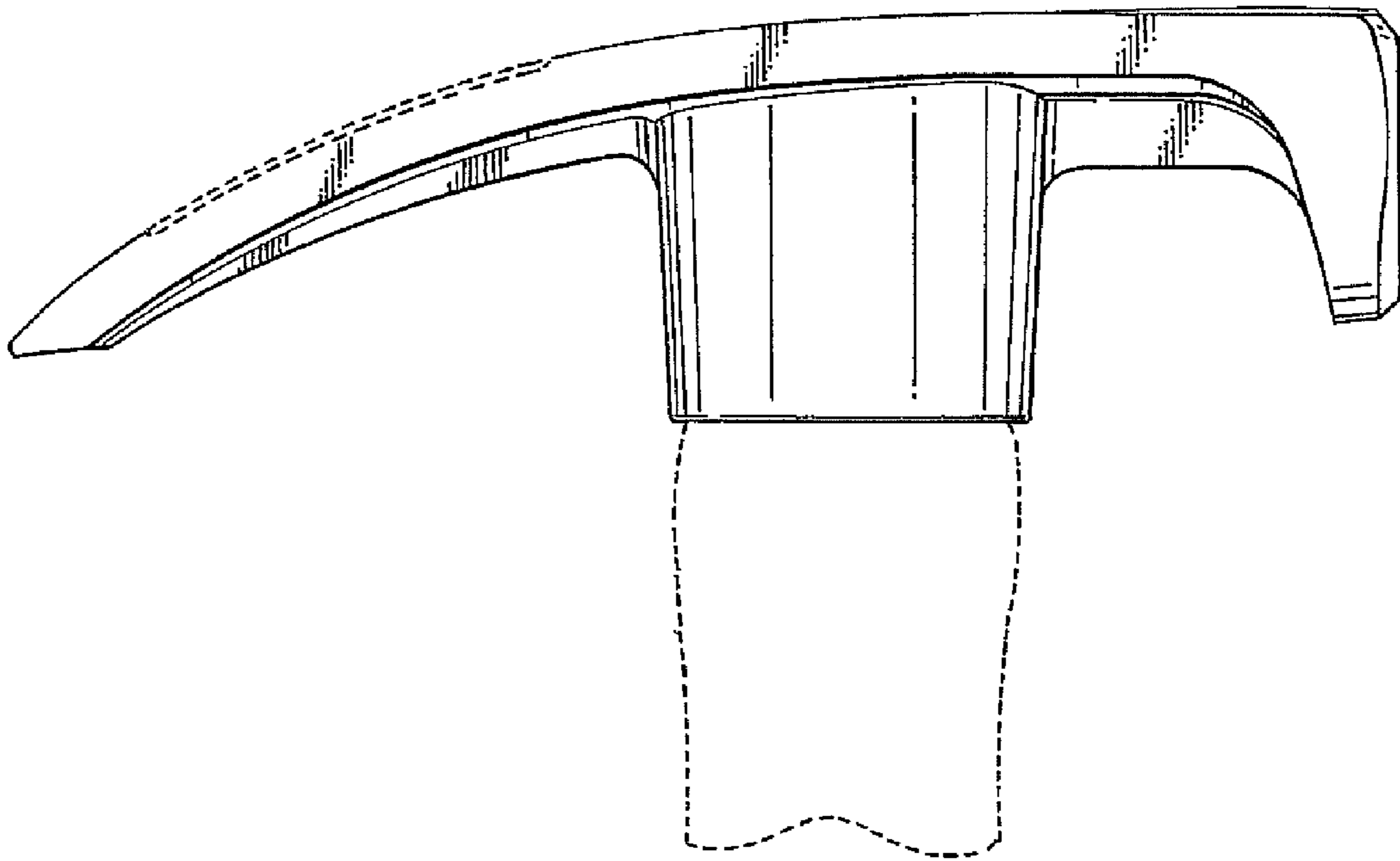
**Fig. 2**

**Fig. 3**

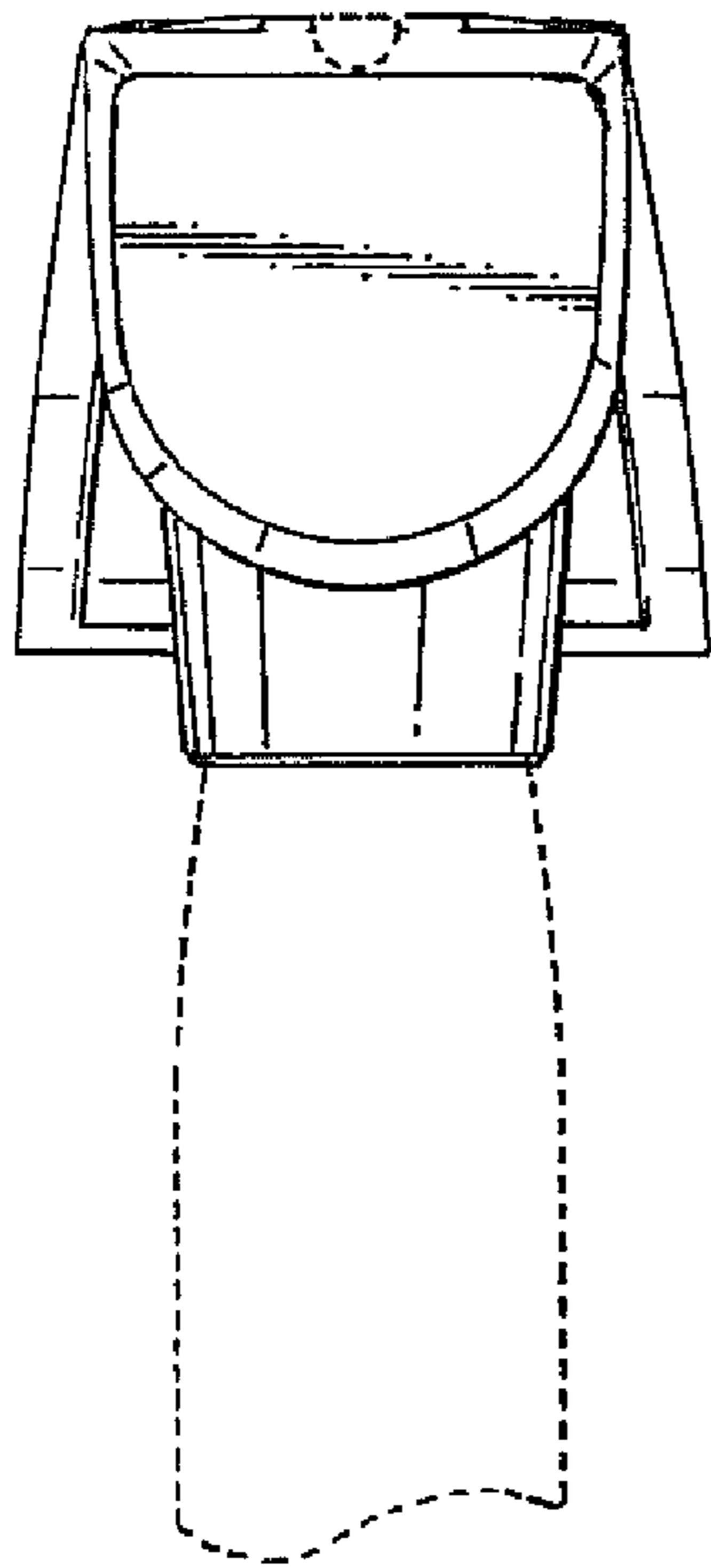


**Fig. 4**

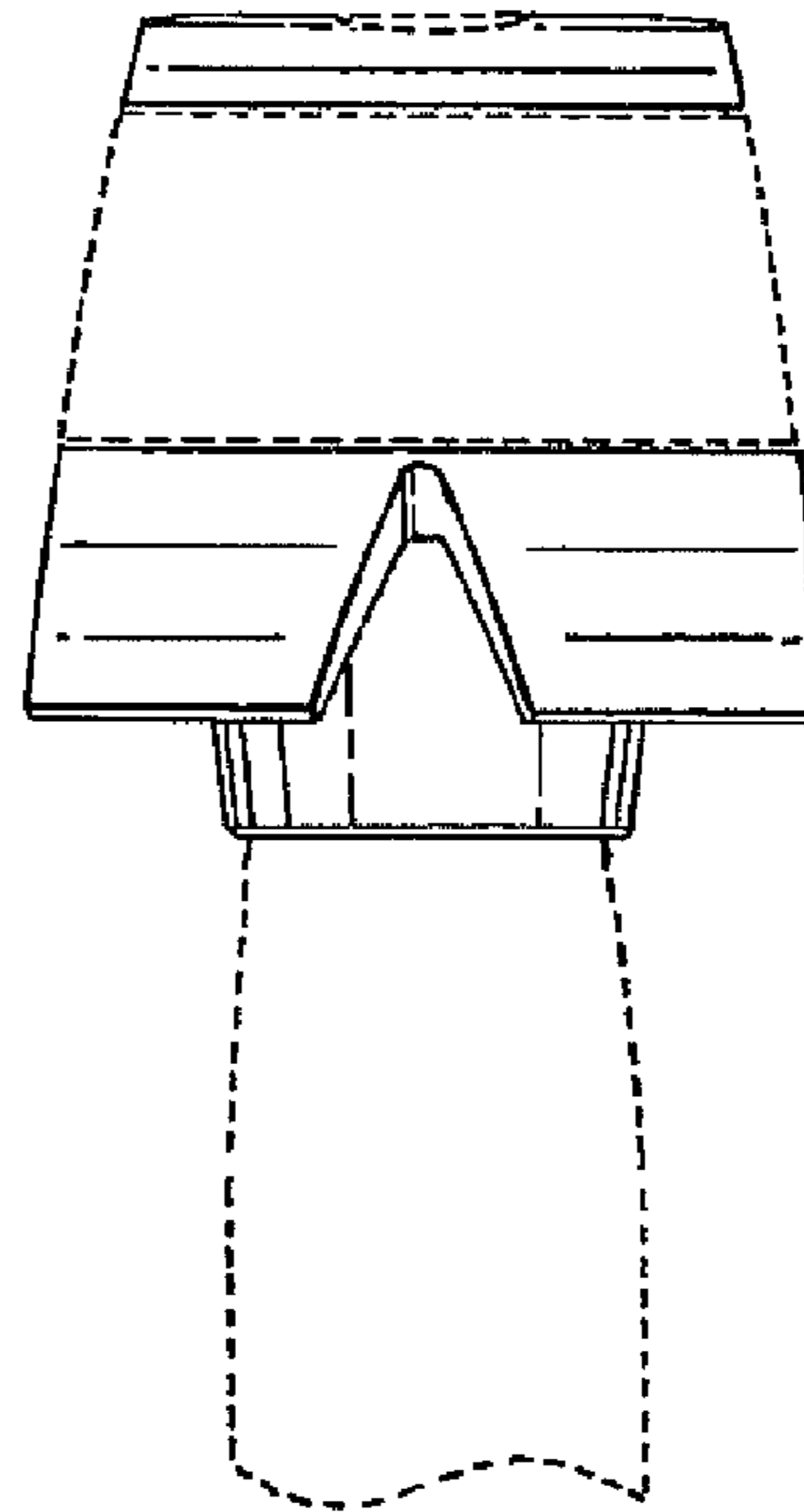
**Fig. 5**



**Fig. 6**



***Fig. 7***



***Fig. 8***