



US00D695085S

(12) **United States Design Patent**  
**Paniagua**

(10) **Patent No.:** **US D695,085 S**

(45) **Date of Patent:** **\*\* Dec. 10, 2013**

(54) **SOLDERING PLIERS**

(76) **Inventor:** **Justin Paniagua**, National City, CA  
(US)

(\*\*) **Term:** **14 Years**

(21) **Appl. No.:** **29/410,144**

(22) **Filed:** **Jan. 4, 2012**

(51) **LOC (9) Cl.** ..... **08-05**

(52) **U.S. Cl.**  
USPC ..... **D8/52**

(58) **Field of Classification Search**  
USPC ..... D8/51, 52, 4, 5, 98, 107; 30/287, 257,  
30/251-254, 191-192, 261-262  
See application file for complete search history.

(56) **References Cited**

**U.S. PATENT DOCUMENTS**

D70,109 S \* 5/1926 Gowan ..... D8/53  
D192,333 S \* 3/1962 Buechler ..... D8/58  
3,540,106 A \* 11/1970 Goldman ..... 29/268  
D520,828 S \* 5/2006 Steiner ..... D8/52

D572,552 S \* 7/2008 Feliciano ..... D8/52  
D596,910 S \* 7/2009 Whitehead ..... D8/52  
8,458,877 B1 \* 6/2013 Falconette ..... 29/237

\* cited by examiner

*Primary Examiner* — Sheryl Lane  
(74) *Attorney, Agent, or Firm* — Nydegger & Associates

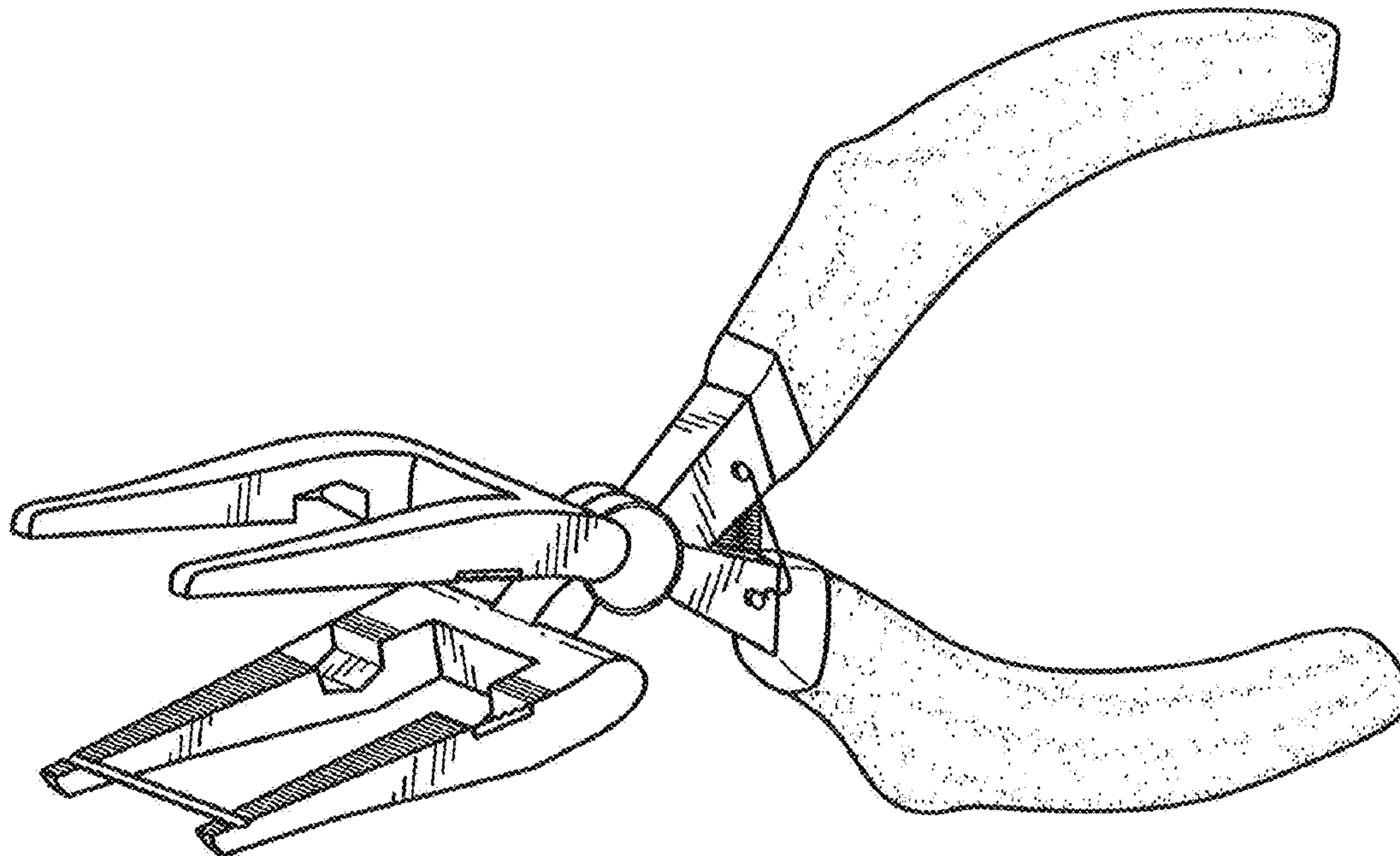
(57) **CLAIM**

The ornamental design for soldering pliers, as shown and described.

**DESCRIPTION**

FIG. 1 is a perspective view of the soldering pliers in accordance with the present invention, with the pliers in an open configuration;  
FIG. 2 is a left side elevation view of the pliers, with the pliers in a closed configuration;  
FIG. 3 is a right side elevation view thereof;  
FIG. 4 is a top view thereof;  
FIG. 5 is a bottom view thereof;  
FIG. 6 is a front view thereof; and,  
FIG. 7 is a rear view thereof.

**1 Claim, 6 Drawing Sheets**



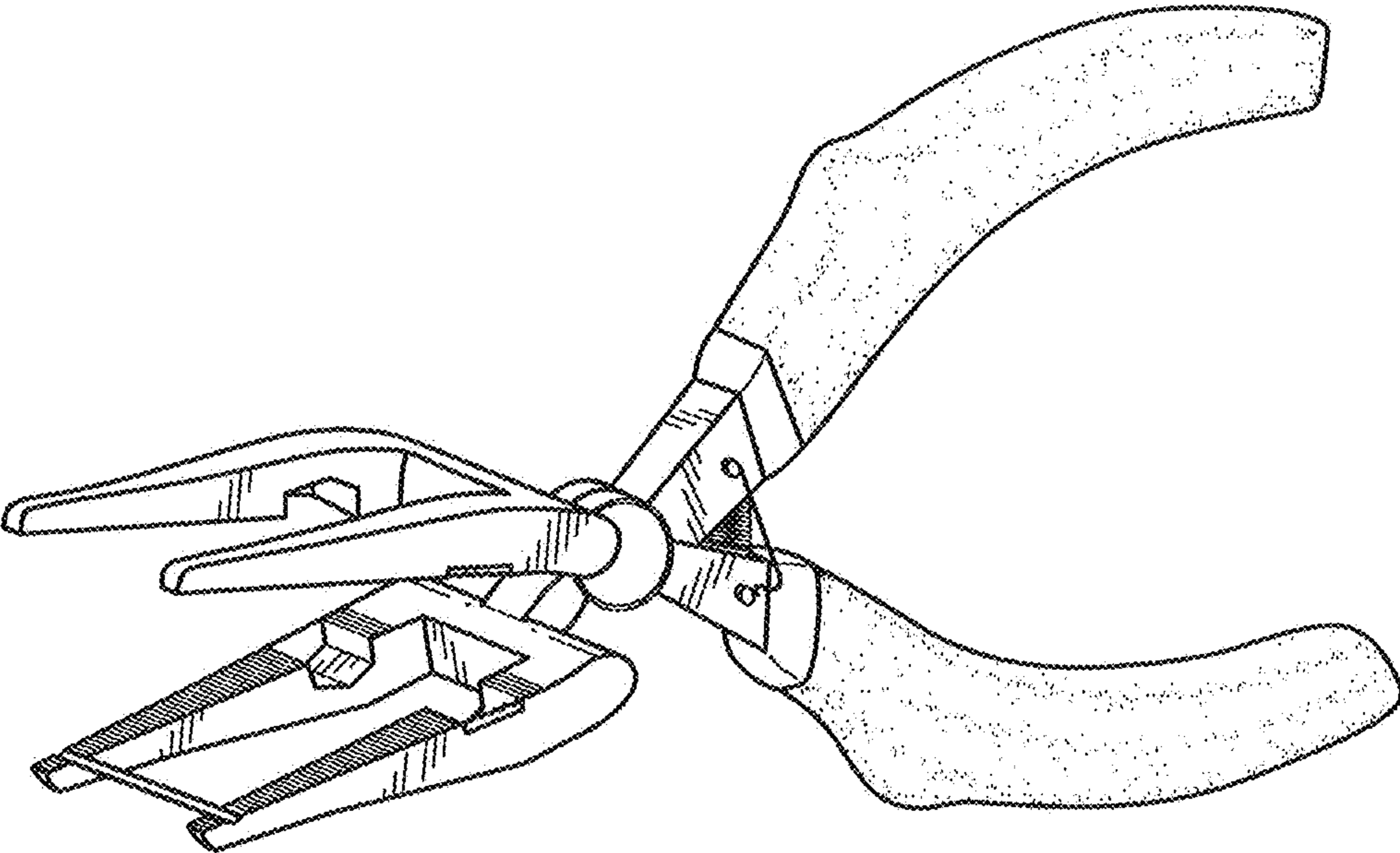


FIG. 1

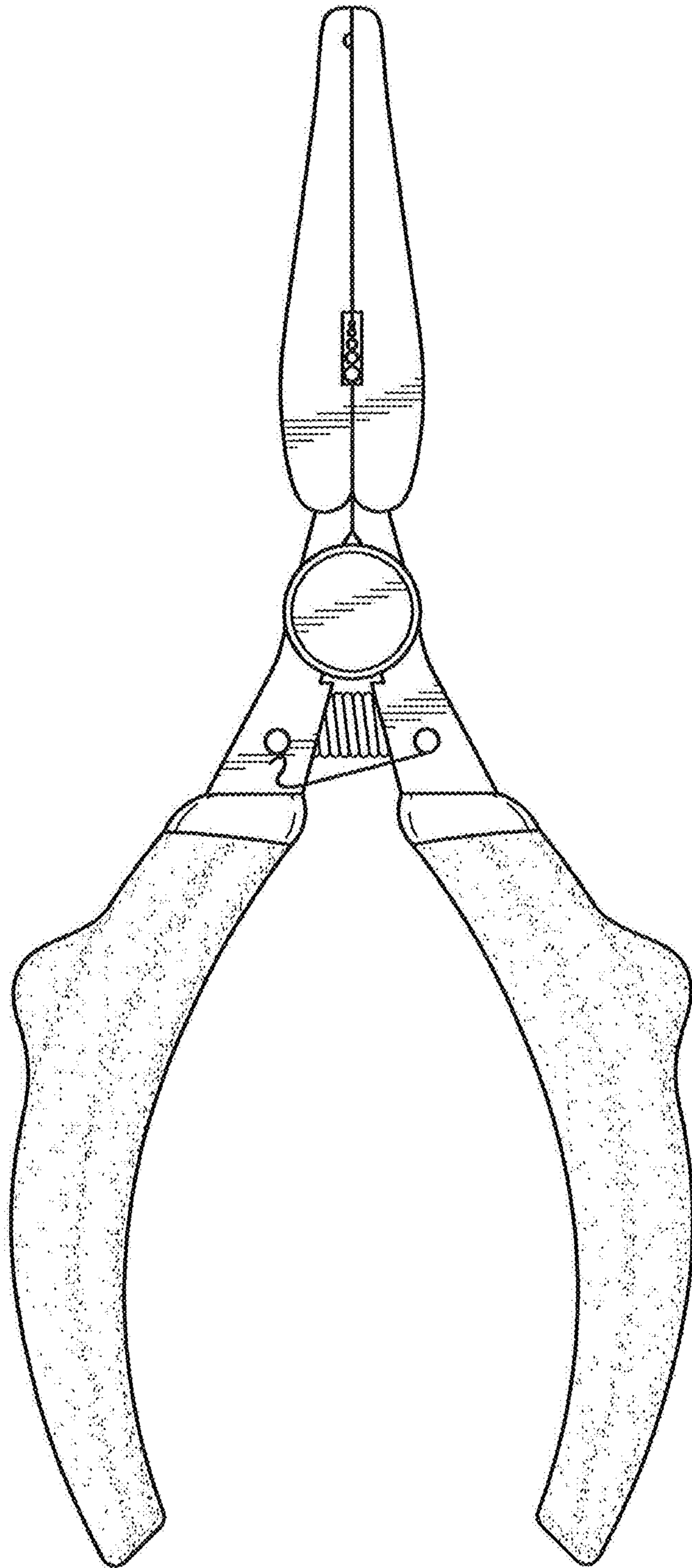
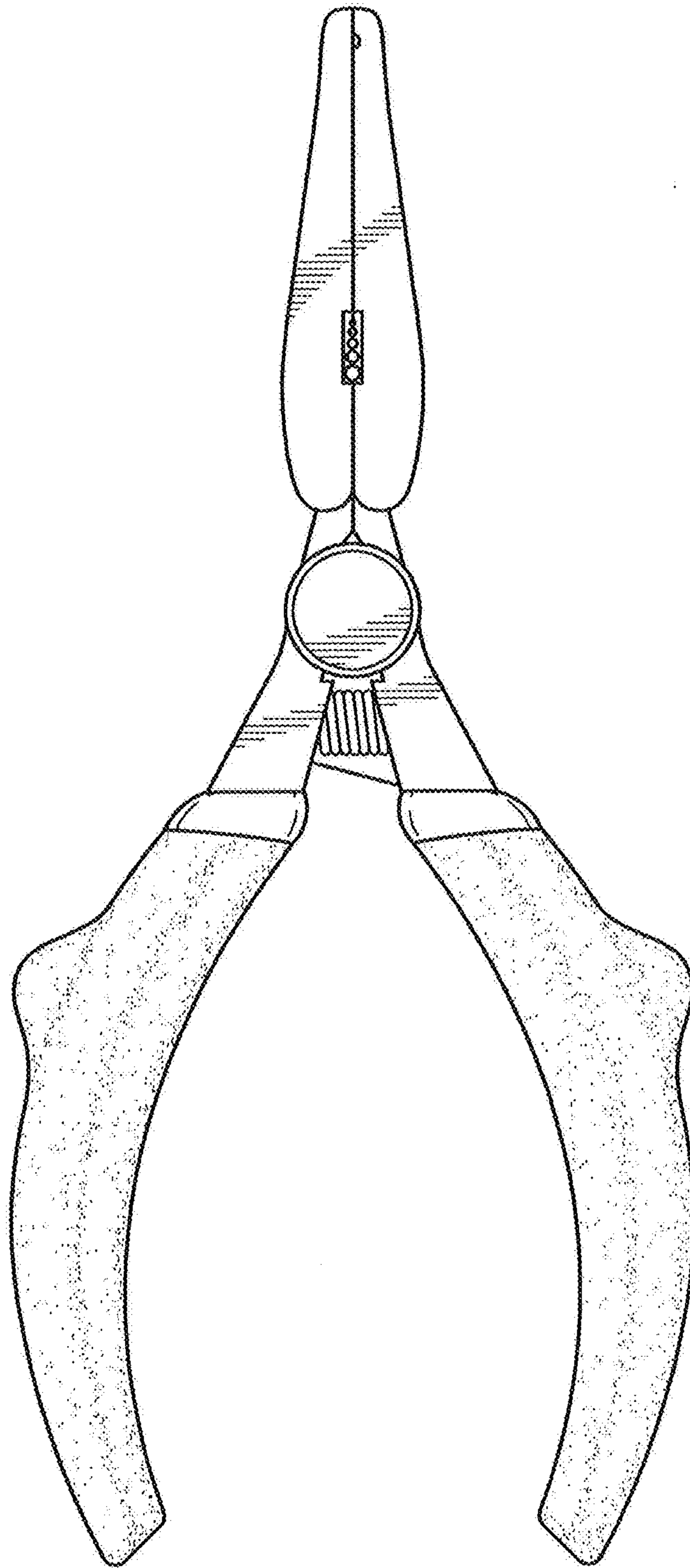
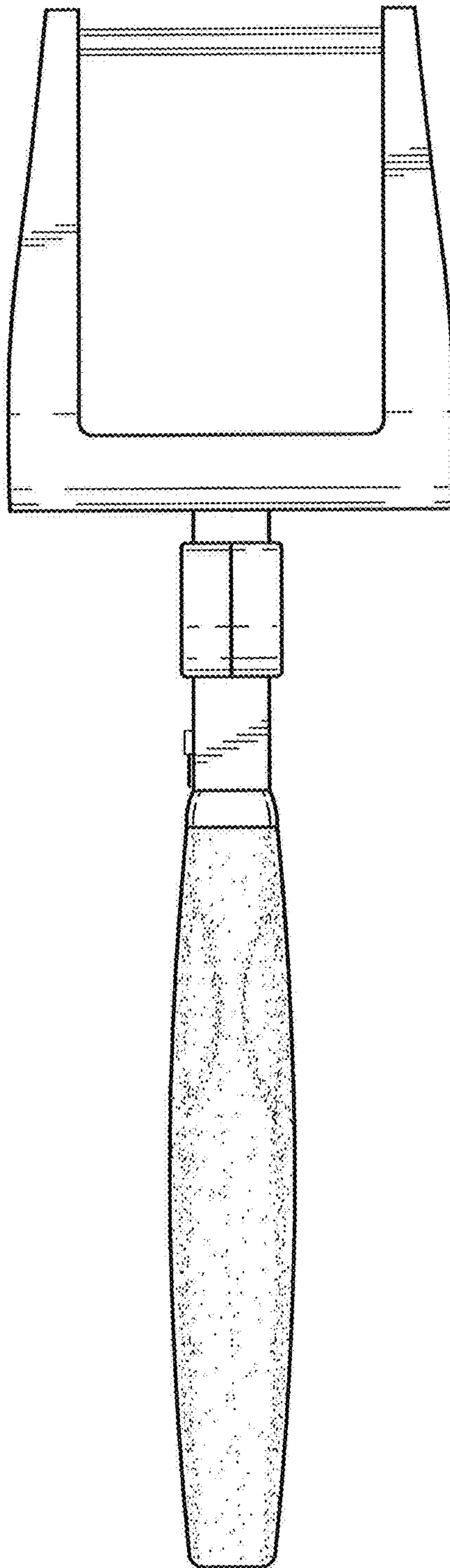


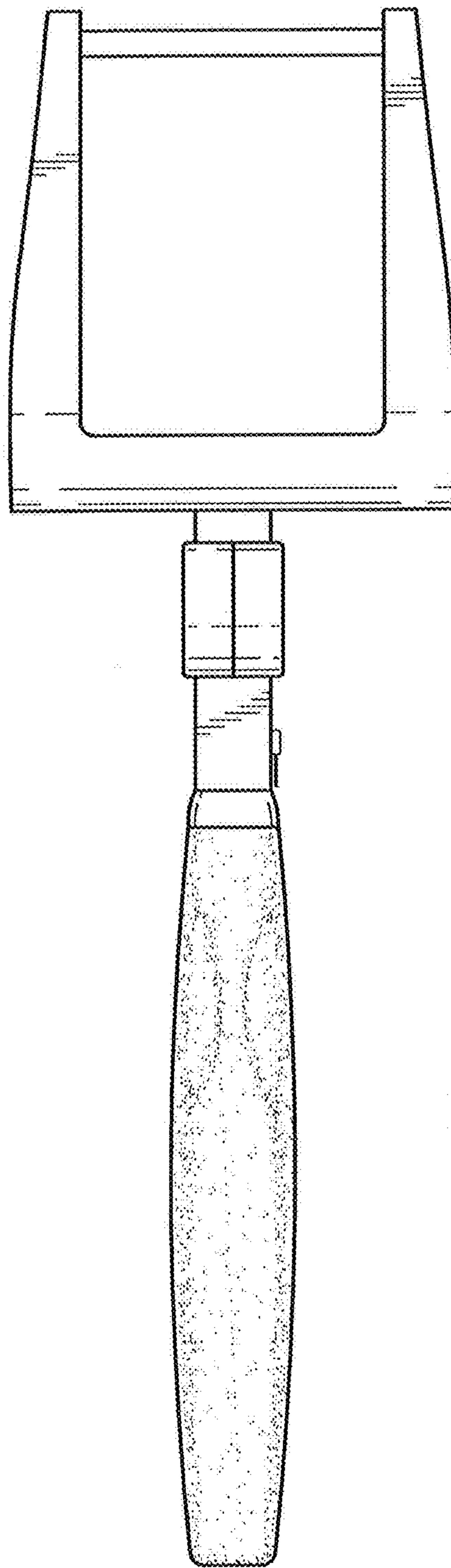
FIG. 2



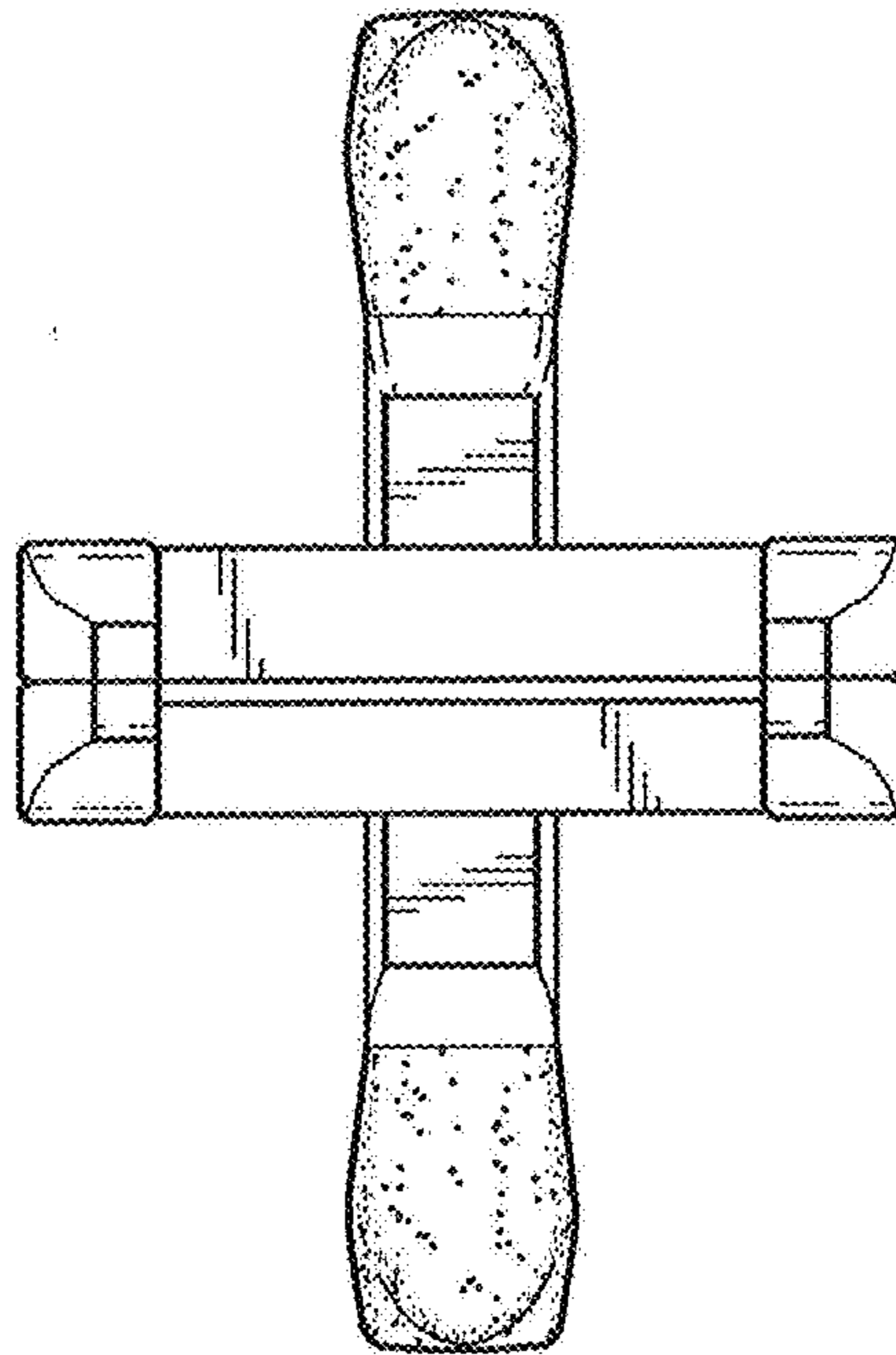
**FIG. 3**



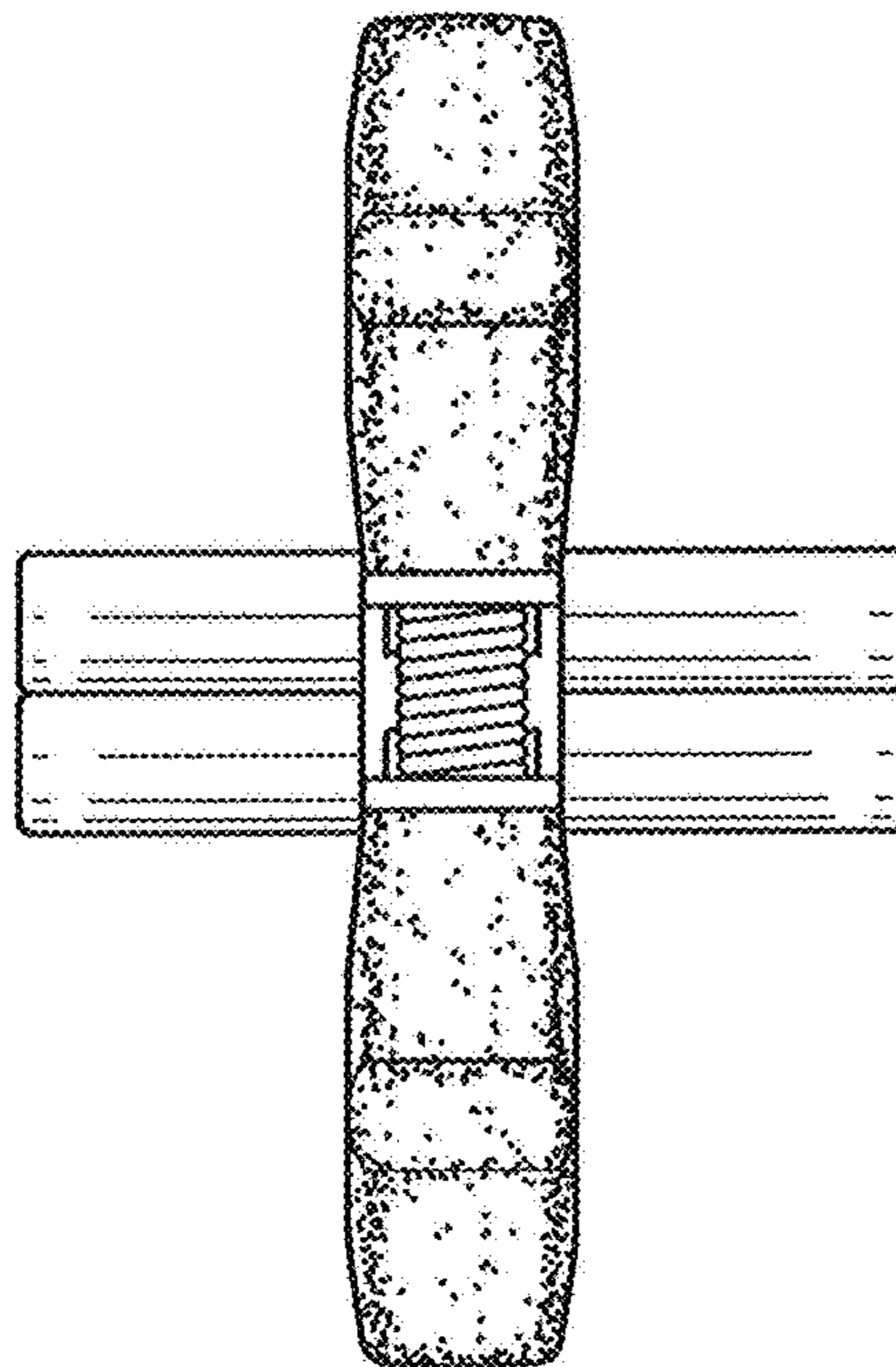
*FIG. 4*



*FIG. 5*



*FIG. 6*



*FIG. 7*