



US00D695082S

(12) **United States Design Patent**  
**Huang**

(10) **Patent No.:** **US D695,082 S**

(45) **Date of Patent:** **\*\* Dec. 10, 2013**

(54) **EMBELLISHING PLATE FOR SHEARS**

D476,199 S \* 6/2003 Richwine et al. .... D8/5  
D558,003 S \* 12/2007 Lai ..... D8/5  
D600,514 S \* 9/2009 Butcher et al. .... D8/5

(71) Applicant: **Hsin-Te Huang**, Taichung (TW)

\* cited by examiner

(72) Inventor: **Hsin-Te Huang**, Taichung (TW)

*Primary Examiner* — Sheryl Lane

(73) Assignee: **Allprofessional Mfg. Co., Ltd.**,  
Taichung (TW)

(74) *Attorney, Agent, or Firm* — Alan Kamrath; Kamrath IP  
Lawfirm, P.A.

(\*\*) Term: **14 Years**

(57) **CLAIM**

(21) Appl. No.: **29/435,211**

The ornamental design for embellishing plate for shears, as  
shown and described.

(22) Filed: **Oct. 22, 2012**

**DESCRIPTION**

(51) **LOC (9) Cl.** ..... **08-01**

(52) **U.S. Cl.**  
USPC ..... **D8/5**

(58) **Field of Classification Search**  
USPC ..... D8/4, 5, 52, 54; 30/131, 260, 193-194,  
30/296.1, 134, 251-253, 261-262  
See application file for complete search history.

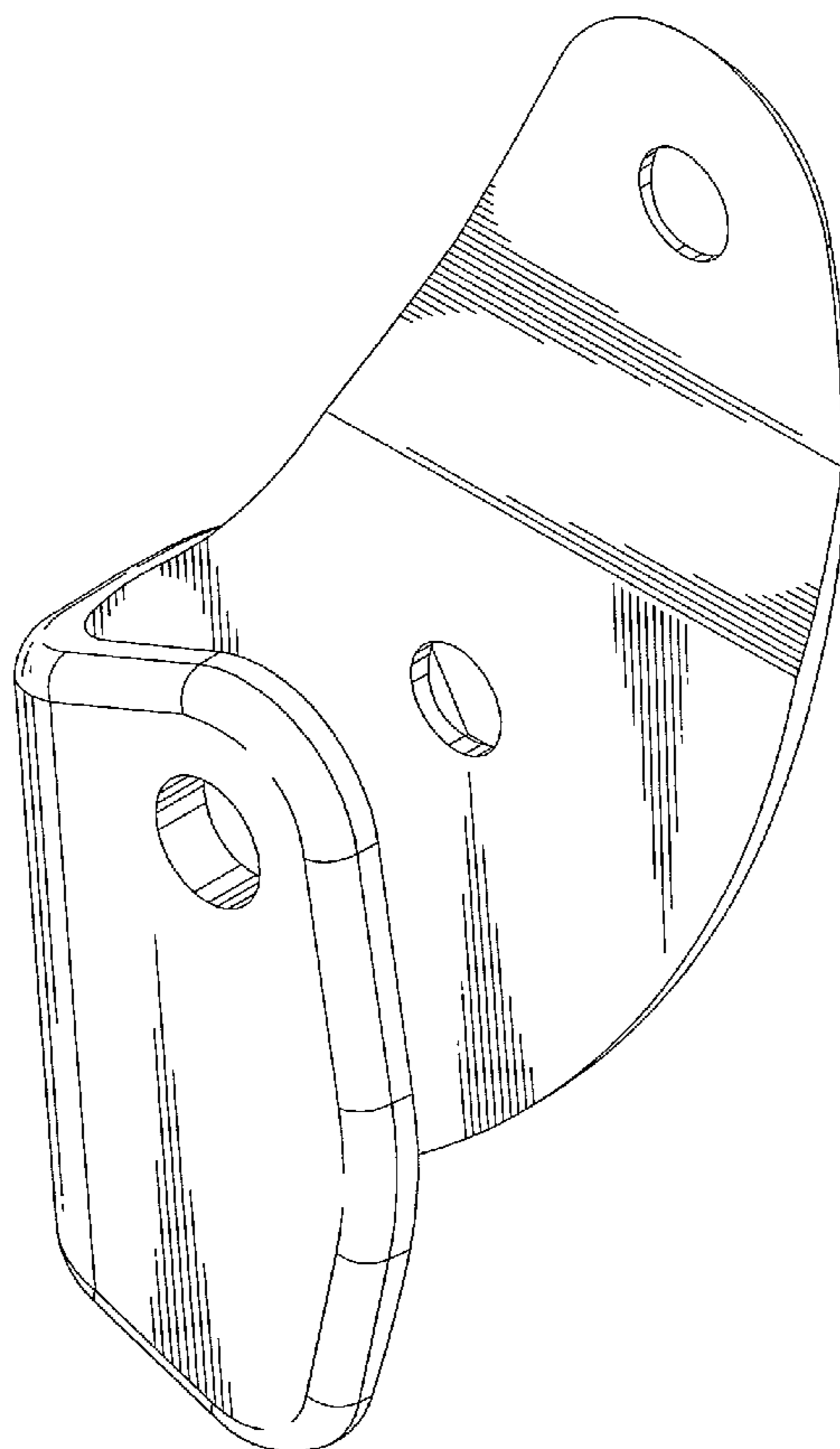
FIG. 1 is a perspective view of a embellishing plate for shears  
showing my new design;  
FIG. 2 is a front view thereof;  
FIG. 3 is a rear view thereof;  
FIG. 4 is a left view thereof;  
FIG. 5 is a right view thereof;  
FIG. 6 is a top view thereof;  
FIG. 7 is a bottom view thereof; and,  
FIG. 8 is the perspective view embodying the utilization of  
the embellishing plate for shears in which the broke lines  
represent portions of the article and form no part of the  
claimed design.

(56) **References Cited**

**U.S. PATENT DOCUMENTS**

D416,567 S \* 11/1999 Vogelsanger ..... D15/139  
D442,459 S \* 5/2001 Wilkinson ..... D8/98  
D450,551 S \* 11/2001 Lai ..... D8/5

**1 Claim, 7 Drawing Sheets**



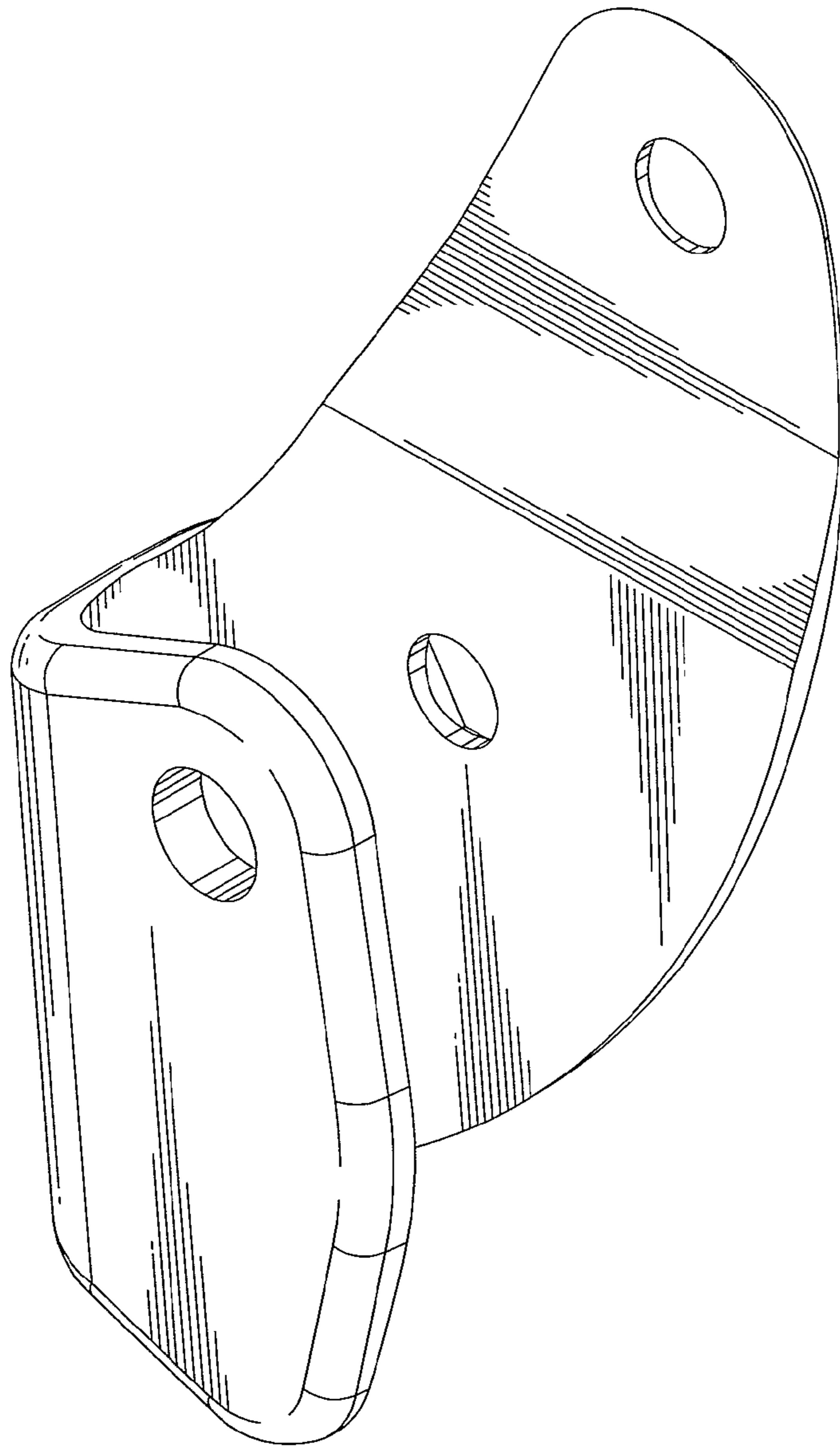


FIG. 1

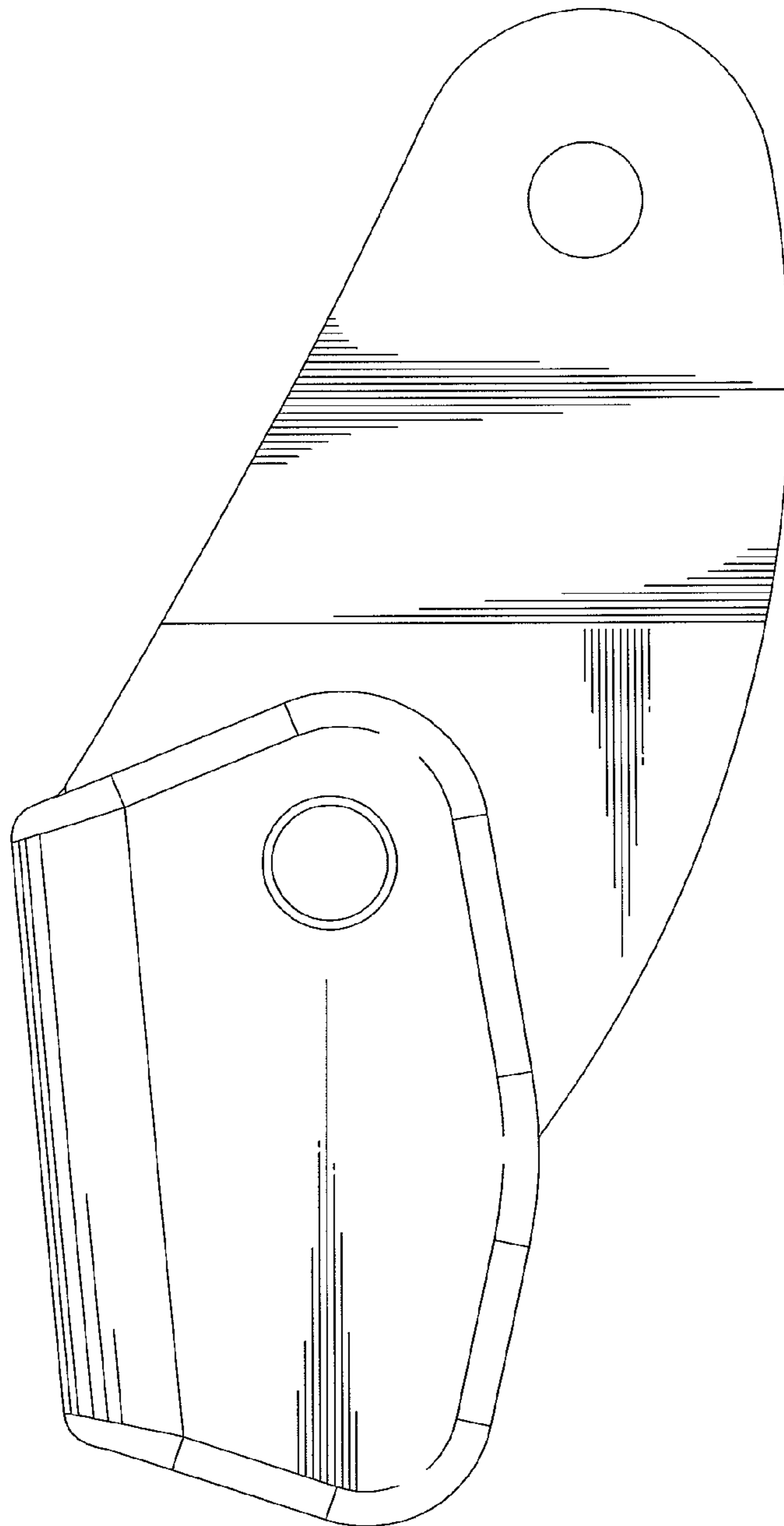


FIG. 2

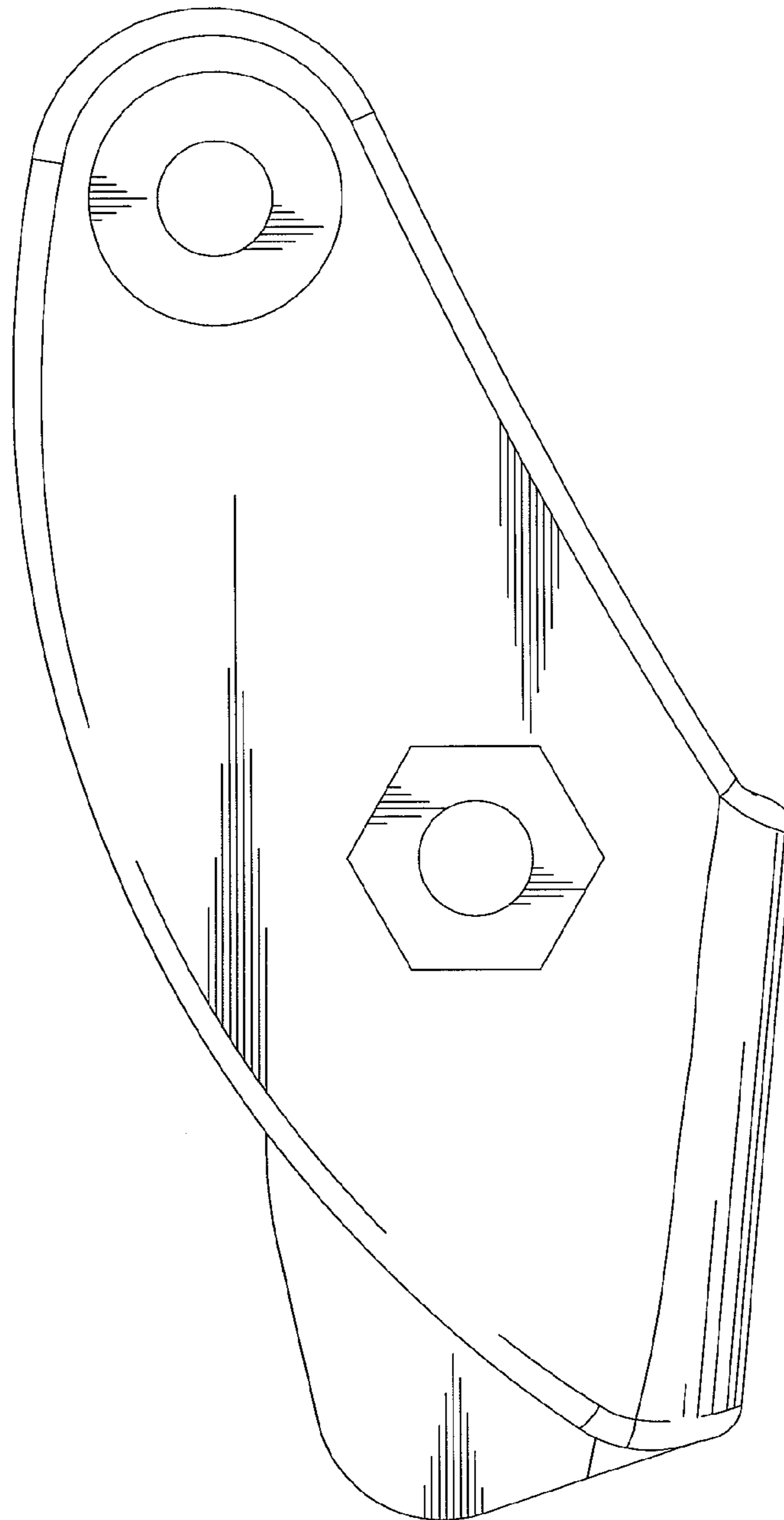


FIG. 3

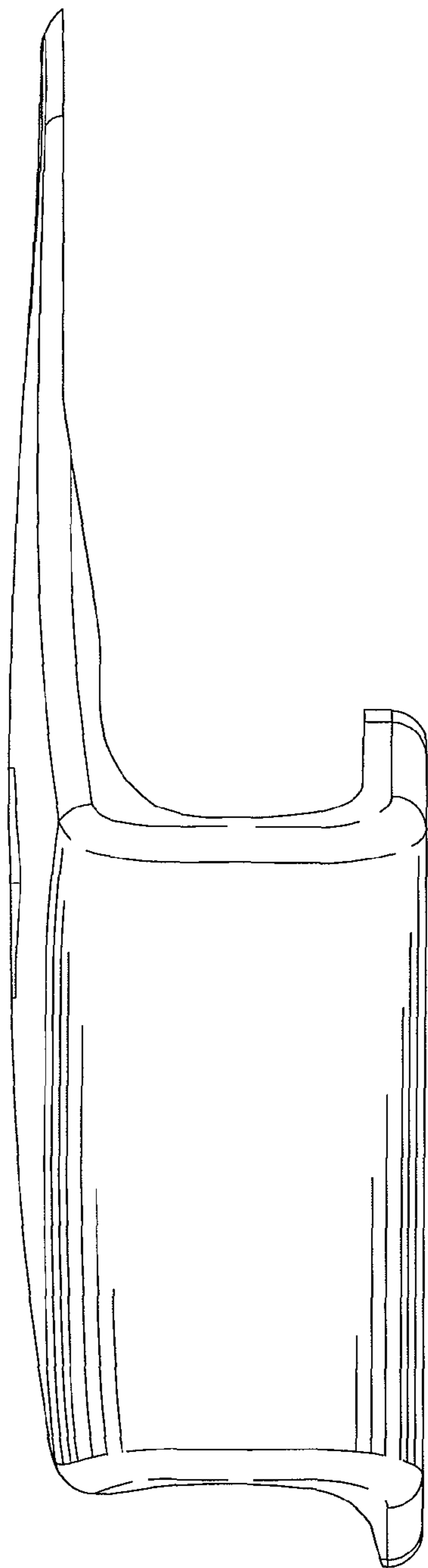


FIG. 4

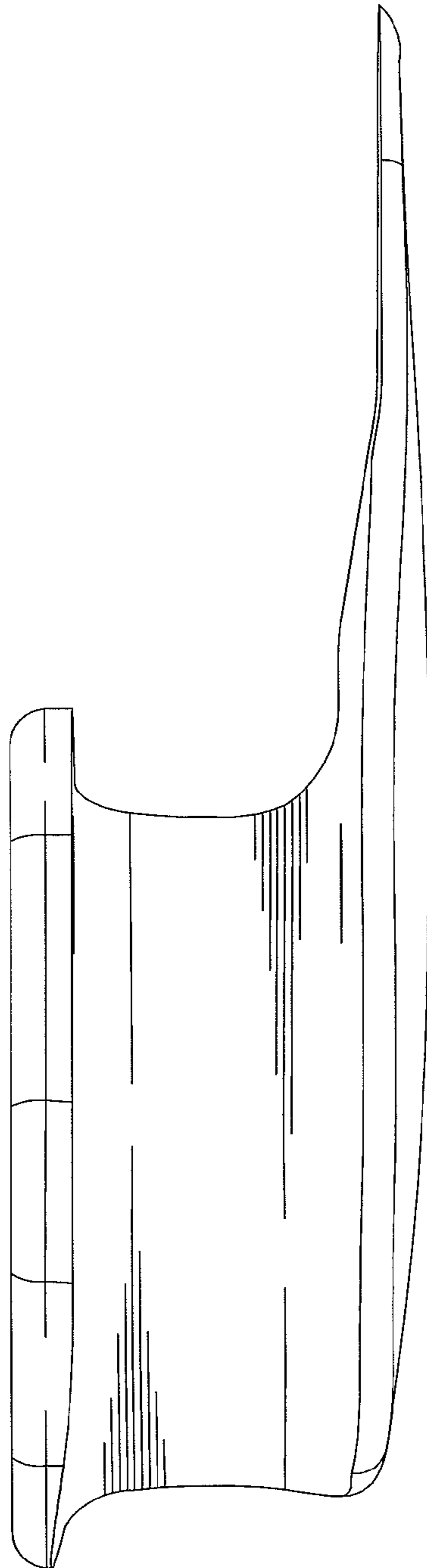


FIG. 5

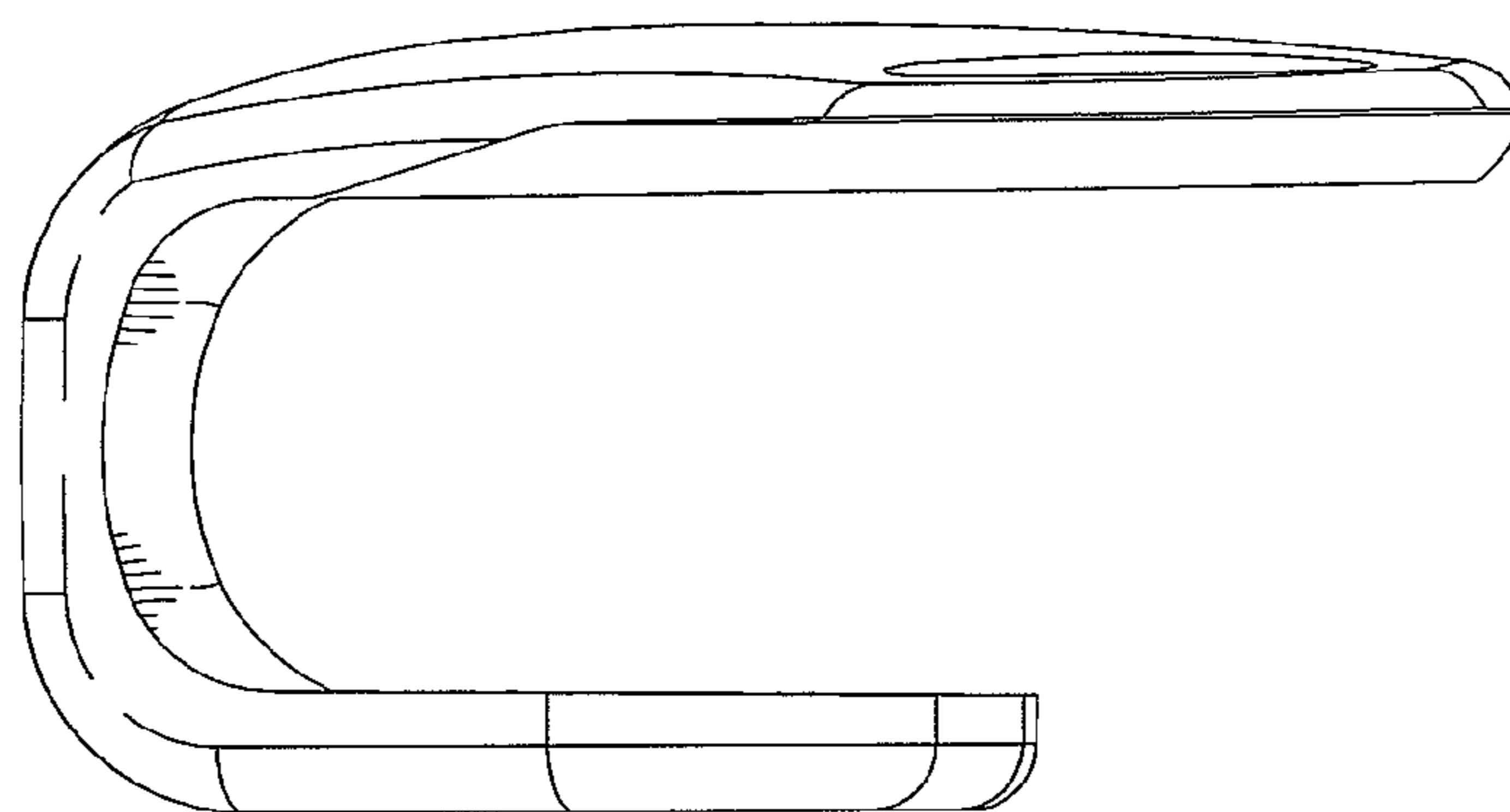


FIG. 6

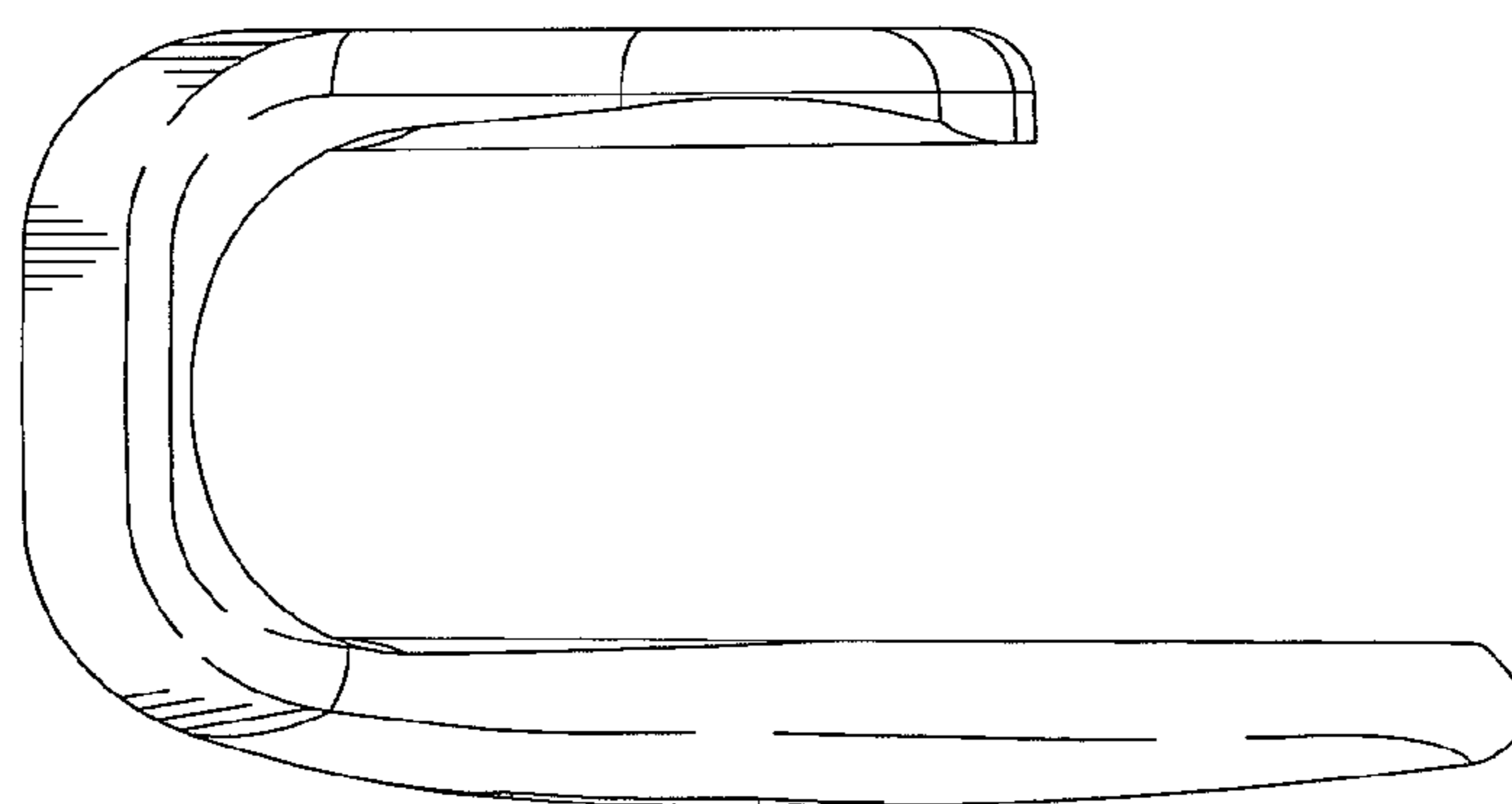


FIG. 7

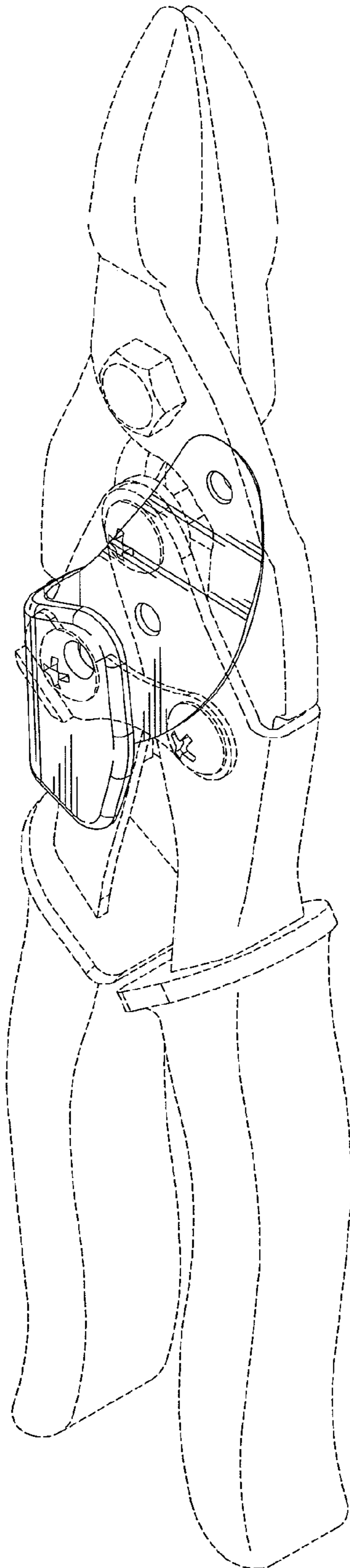


FIG. 8