



US00D695079S

(12) **United States Design Patent**  
**Scott et al.**

(10) **Patent No.:** **US D695,079 S**

(45) **Date of Patent:** **\*\* Dec. 10, 2013**

(54) **THERMAL INSULATED FOOD CONTAINER**

(56) **References Cited**

(75) Inventors: **Emmon Scott**, Bloomfield Township, MI (US); **Sharon Ann Hoffman**, St. Clair Shores, MI (US); **Julie Anne Becker**, Tecumseh, MI (US); **Michael Ray Hofstetter**, Bloomfield Hills, MI (US)

U.S. PATENT DOCUMENTS

3,428,103	A *	2/1969	Walsh	.....	383/97
4,578,814	A *	3/1986	Skamser	.....	383/99
5,007,250	A *	4/1991	Musielak	.....	62/372
5,892,202	A *	4/1999	Baldwin et al.	.....	219/387
6,390,345	B1 *	5/2002	Brown et al.	.....	224/578
6,861,628	B2 *	3/2005	Owens et al.	.....	219/622
7,034,254	B2 *	4/2006	Grabowski et al.	.....	219/387

(73) Assignee: **Shen Manufacturing Company Incorporated**, West Conshohocken, PA (US)

\* cited by examiner

(\*\*) Term: **14 Years**

*Primary Examiner* — Terry Wallace

(21) Appl. No.: **29/425,833**

(74) *Attorney, Agent, or Firm* — John F. A. Early, III; Frank J. Bonini, Jr.; Harding, Earley, Follmer & Frailey, P.C.

(22) Filed: **Jun. 27, 2012**

(57) **CLAIM**

The ornamental design for thermal insulating food container, as shown and described.

**Related U.S. Application Data**

**DESCRIPTION**

(62) Division of application No. 29/365,690, filed on Jul. 13, 2010, now Pat. No. Des. 664,009.

(51) **LOC (9) Cl.** ..... **07-01**

(52) **U.S. Cl.**  
USPC ..... **D7/607**

(58) **Field of Classification Search**  
USPC ..... D7/605–607, 709, 710; D3/273, 274, D3/276, 289, 299, 301, 201–202, 205; 206/545; 219/387, 465.1, 506, 523, 219/530, 544, 622, 627, 667, 672

FIG. 1 is a front, left side perspective view of a thermal insulating food container showing our new design.

FIG. 2 is a front elevation view thereof.

FIG. 3 is a rear elevation view thereof.

FIG. 4 is a left side elevation view thereof.

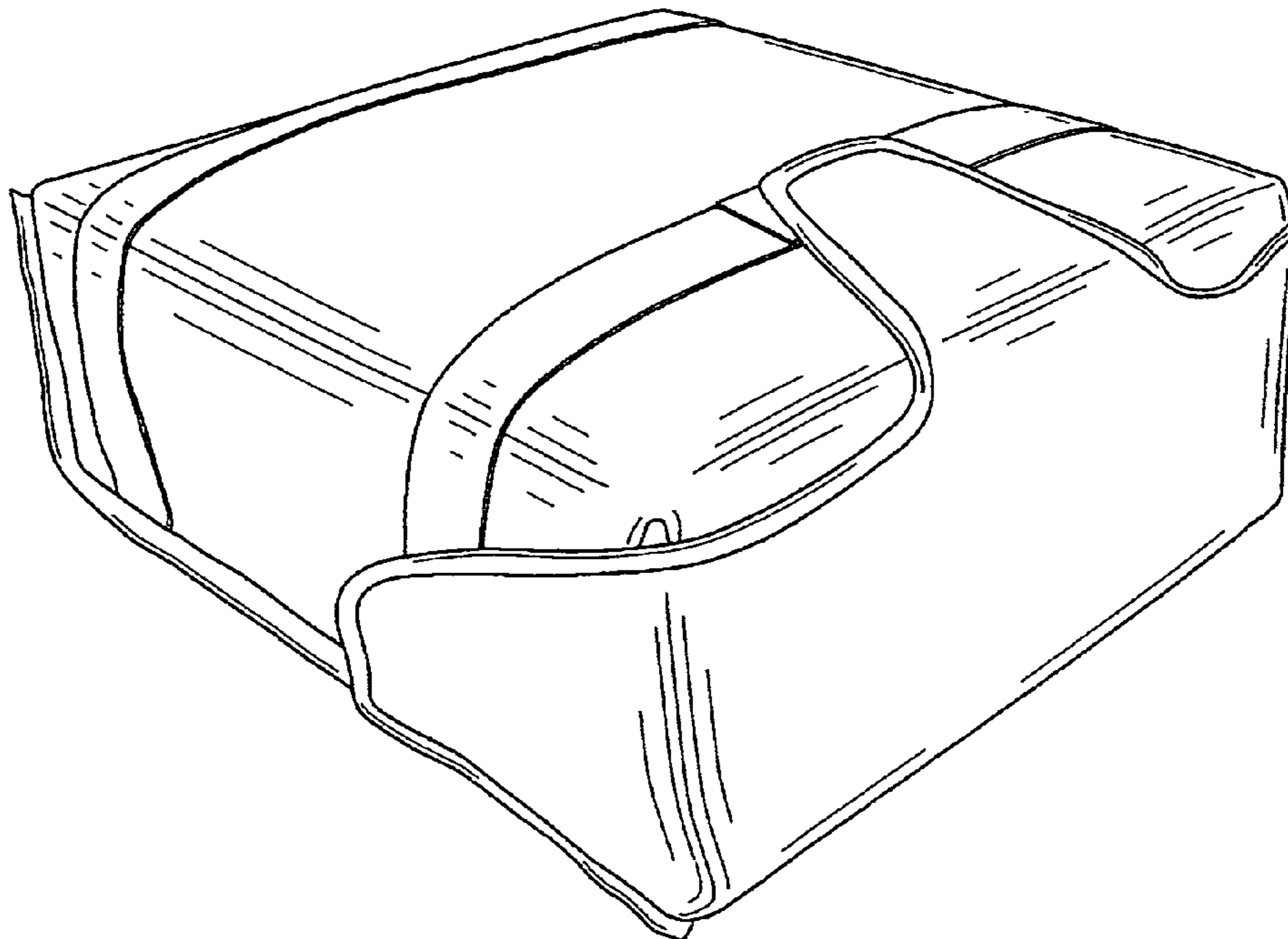
FIG. 5 is a right side elevation view thereof.

FIG. 6 is a top plan view thereof; and,

FIG. 7 is a bottom plan view thereof.

See application file for complete search history.

**1 Claim, 5 Drawing Sheets**



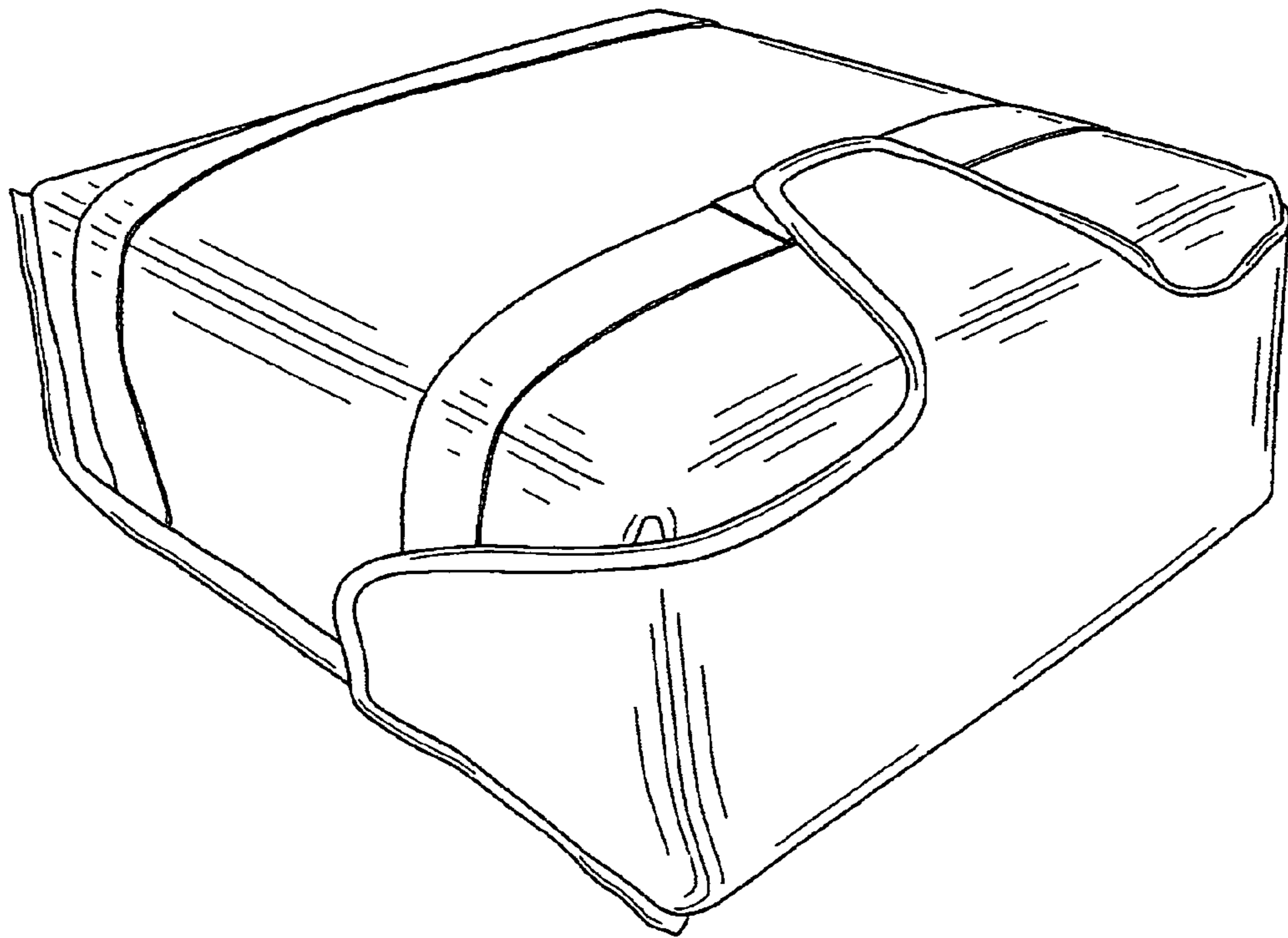


FIG. 1

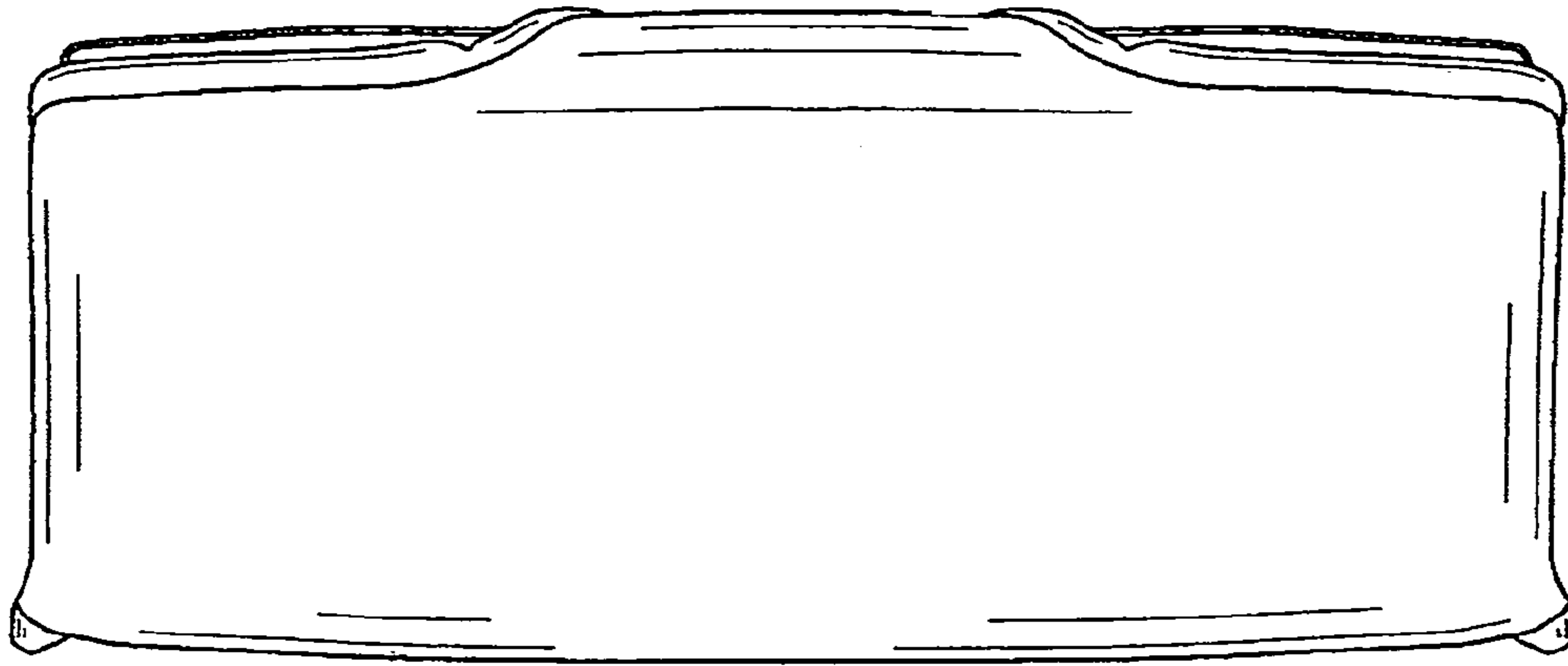


FIG. 2

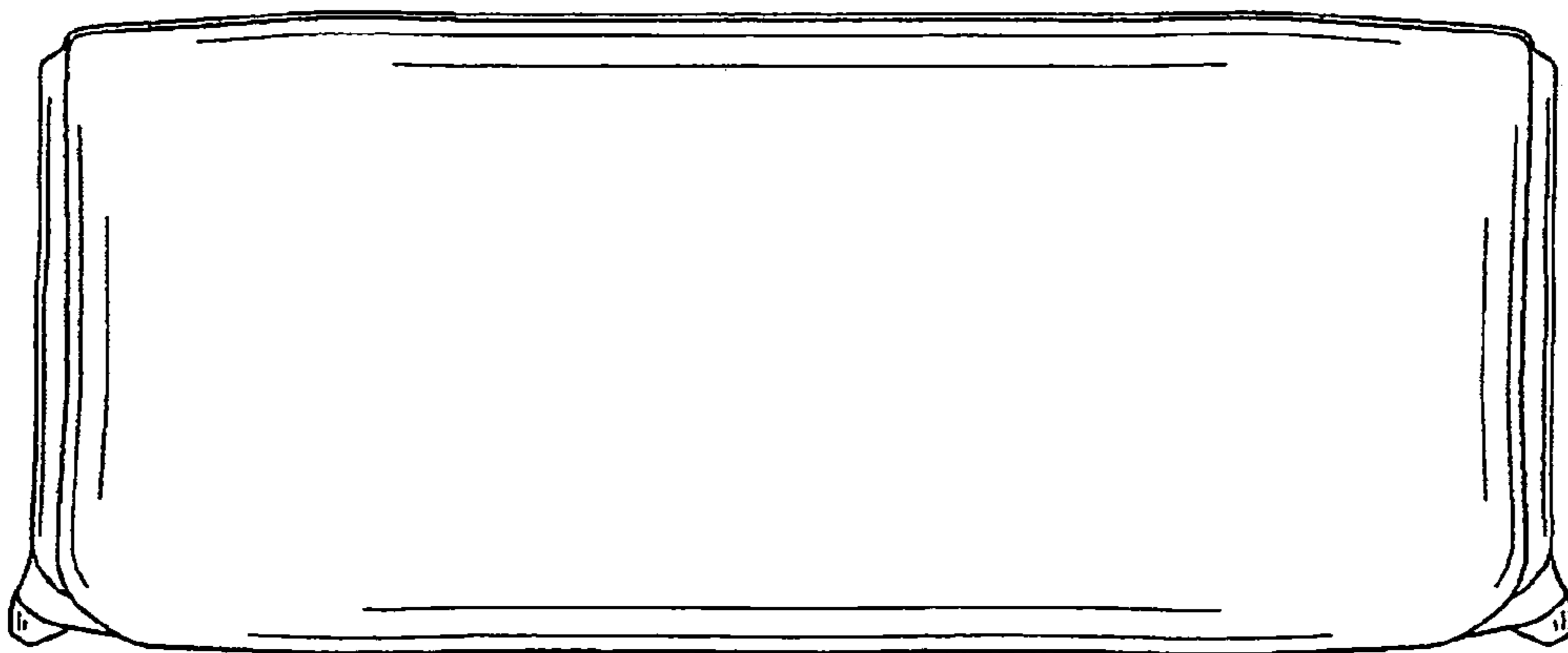


FIG. 3

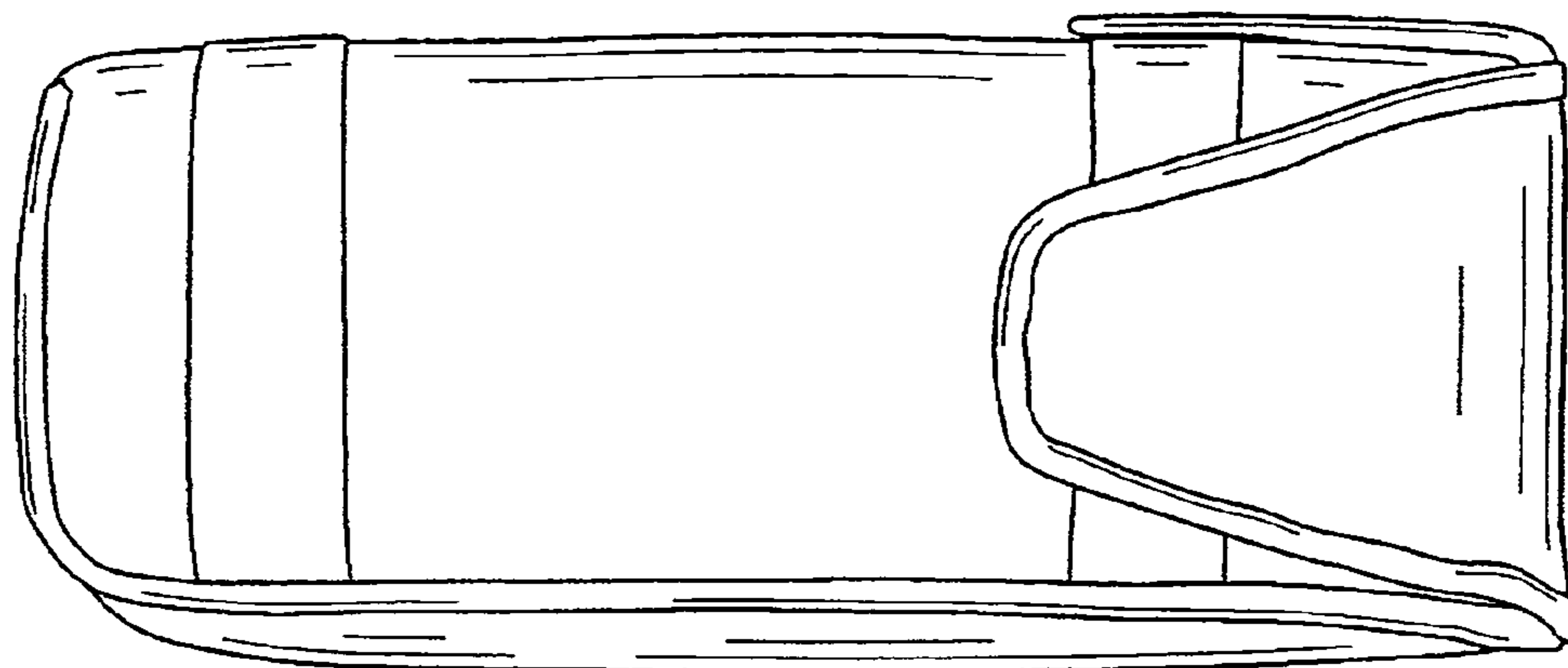


FIG. 4

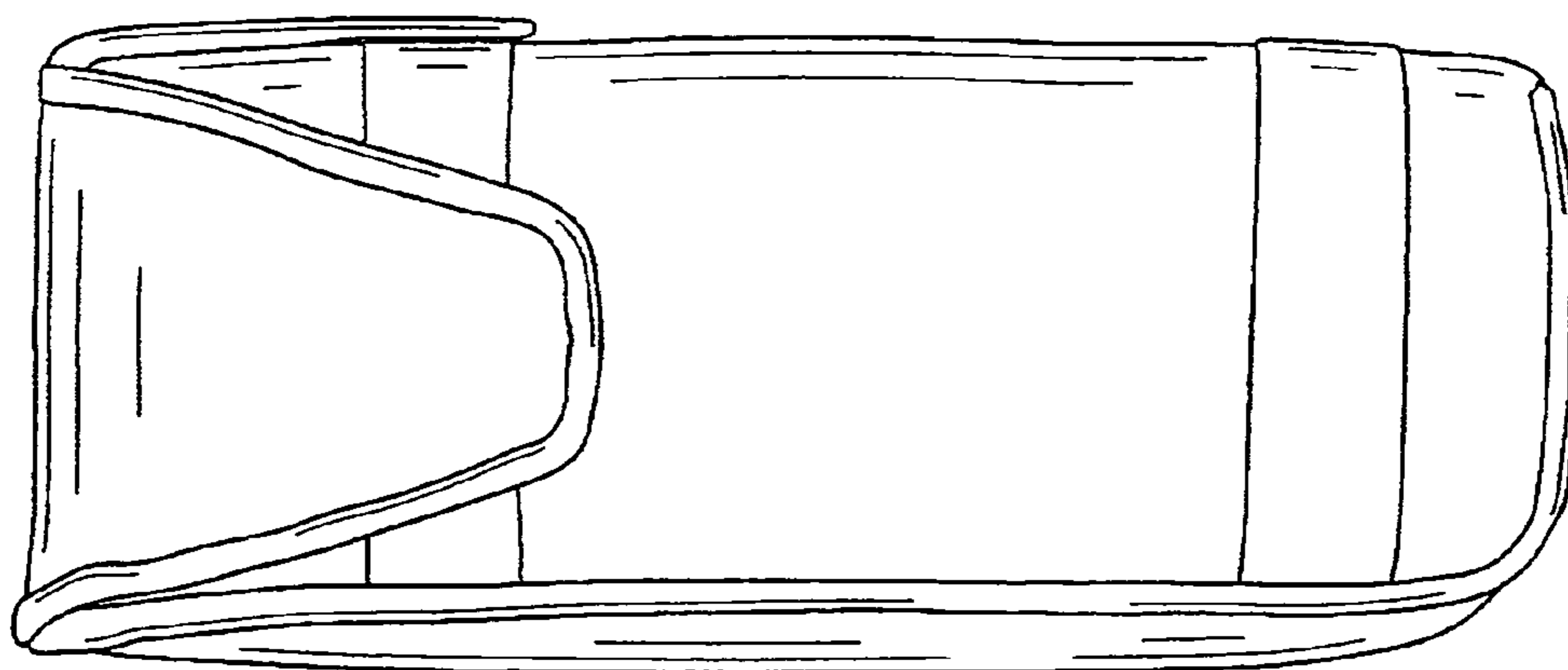


FIG. 5

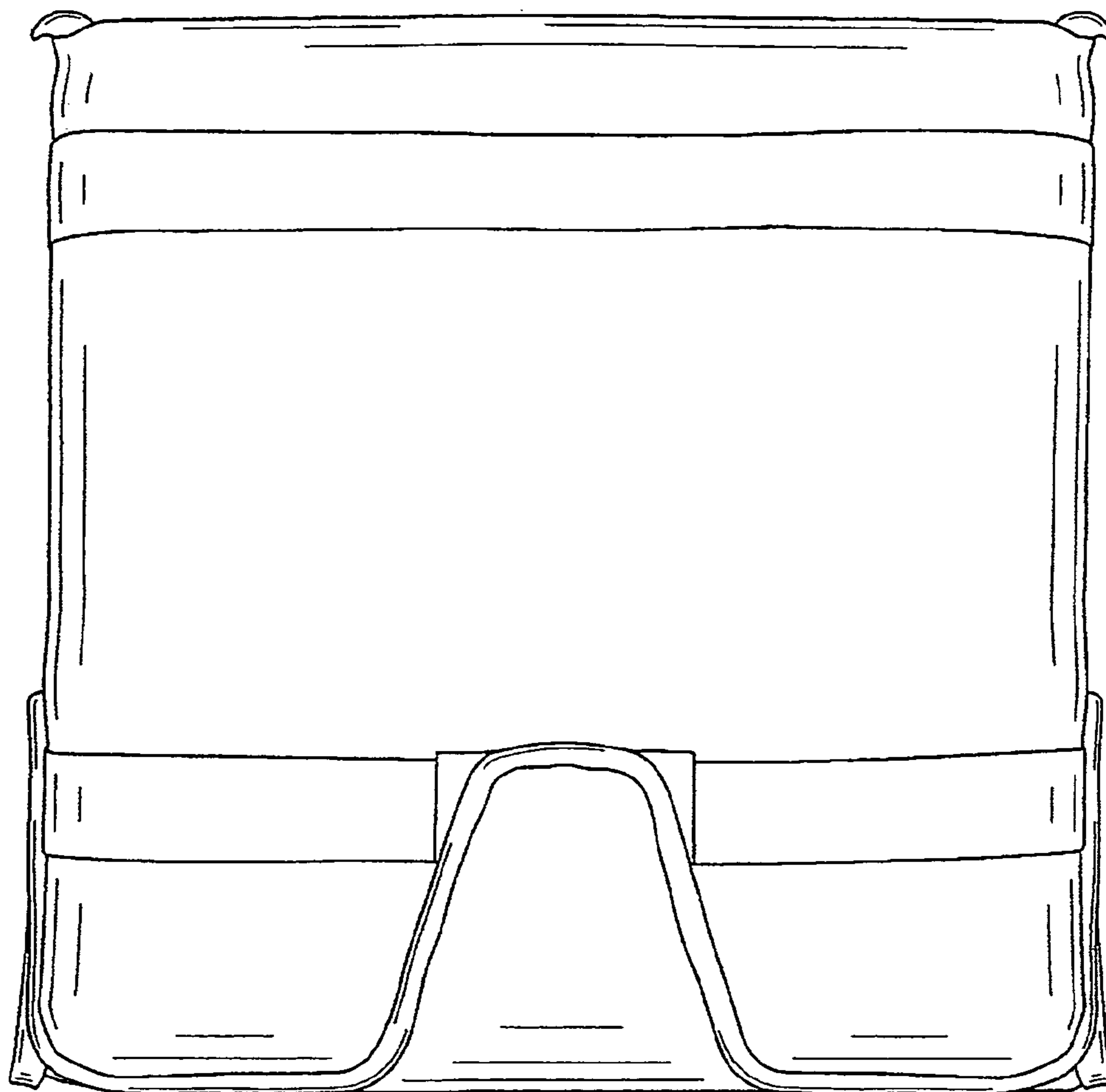


FIG. 6

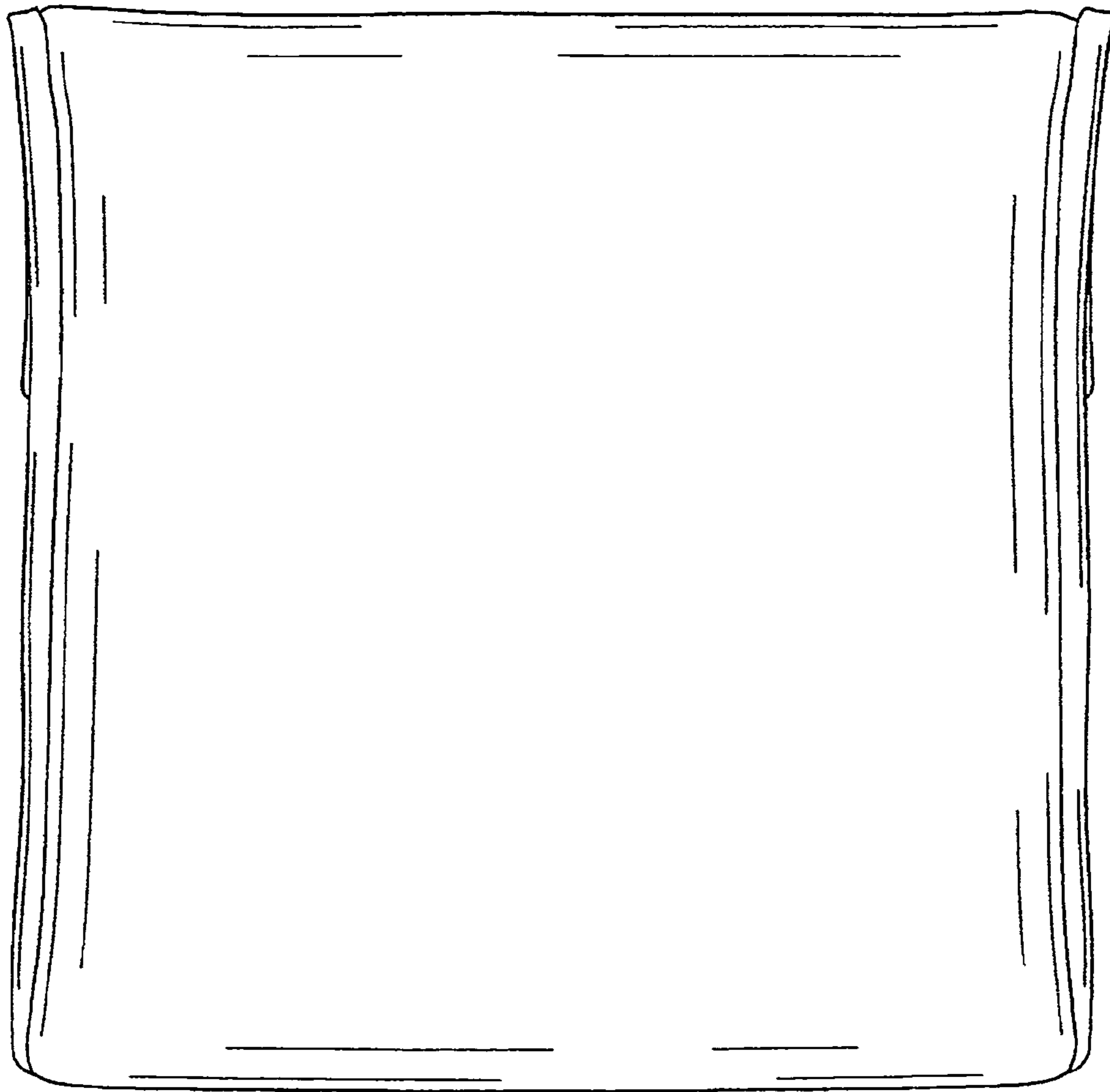


FIG. 7