



US00D695078S

(12) **United States Design Patent**
Hertaus

(10) **Patent No.:** **US D695,078 S**

(45) **Date of Patent:** **** Dec. 10, 2013**

(54) **DRAWER TRAY**

(71) Applicant: **Lipper International, Inc.**, Wallingford, CT (US)

(72) Inventor: **Alan Hertaus**, Le Sueur, MN (US)

(73) Assignee: **Lipper International, Inc.**, Wallingford, CT (US)

(**) Term: **14 Years**

(21) Appl. No.: **29/440,534**

(22) Filed: **Dec. 21, 2012**

(51) **LOC (9) Cl.** **07-06**

(52) **U.S. Cl.**
USPC **D7/600.1; D7/701**

(58) **Field of Classification Search**
USPC D7/600.1-600.4, 701-708, 550.1-557;
D9/737, 738, 741, 751, 755; D3/310,
D3/313, 314; 206/427-435, 588-590;
211/13.1, 71.01, 74, 85.4, 126.1,
211/126.14, 70.6, 70.7
See application file for complete search history.

(56) **References Cited**

U.S. PATENT DOCUMENTS

3,211,290 A * 10/1965 Strickling 209/522
D307,997 S * 5/1990 Bernstein D7/707

D311,115 S * 10/1990 Abraham D7/708
D323,447 S * 1/1992 Booz D7/705
D330,513 S * 10/1992 Gilchrist D7/703
D381,515 S * 7/1997 Haynes D3/313
D538,538 S * 3/2007 Espinosa D3/313
D597,370 S * 8/2009 Watkins D7/354
D608,609 S * 1/2010 Eaton D7/701
D650,636 S * 12/2011 Roth D7/600.1
D656,363 S * 3/2012 Tiemann et al. D7/601

* cited by examiner

Primary Examiner — Terry Wallace

(74) *Attorney, Agent, or Firm* — Lucas & Mercanti, LLP

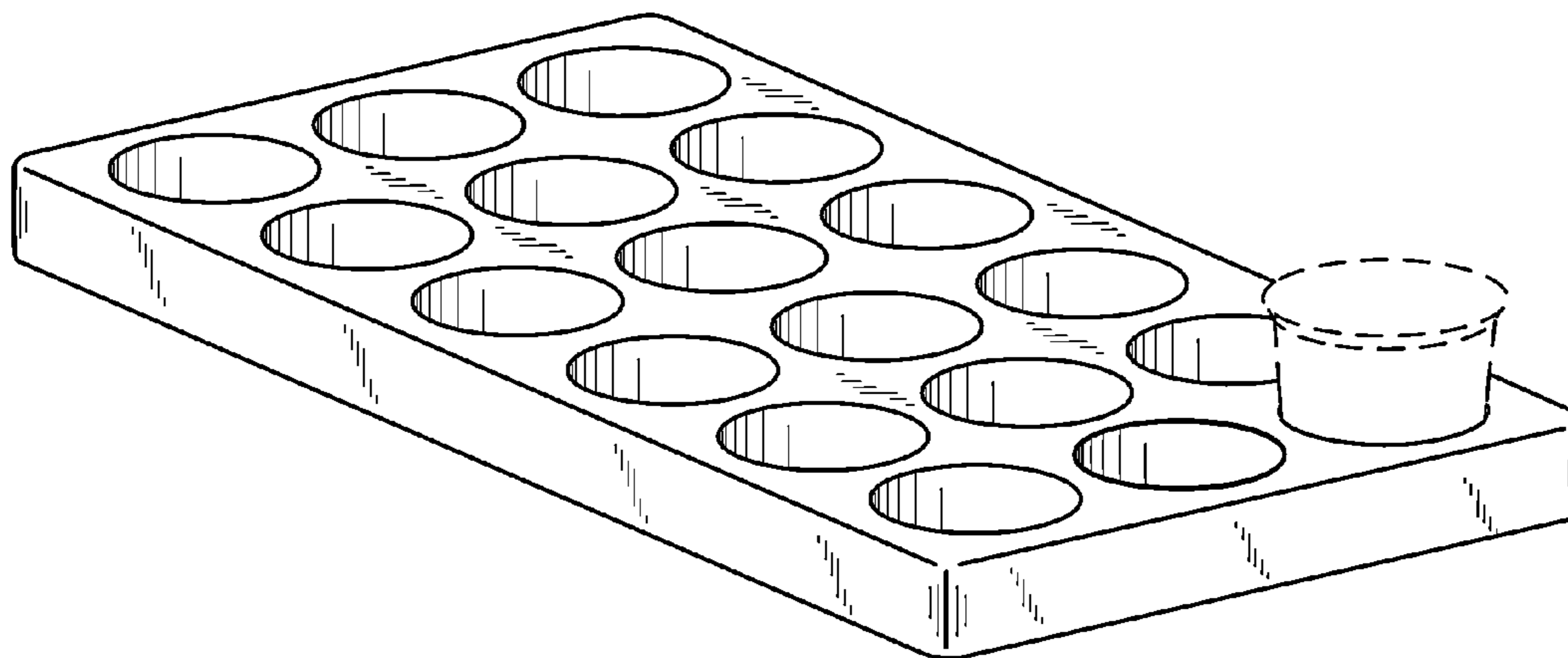
(57) **CLAIM**

The ornamental design for a drawer tray, as shown and described.

DESCRIPTION

FIG. 1 is a top perspective view of the design;
FIG. 2 is a bottom perspective view of the design;
FIG. 3 is a top plan view of the design;
FIG. 4 is a bottom plan view of the design;
FIG. 5 is a side elevational view of the design; and,
FIG. 6 is an end elevational view of the design.
The broken line showing is for illustrative purposes only, and forms no part of the claimed design.

1 Claim, 5 Drawing Sheets



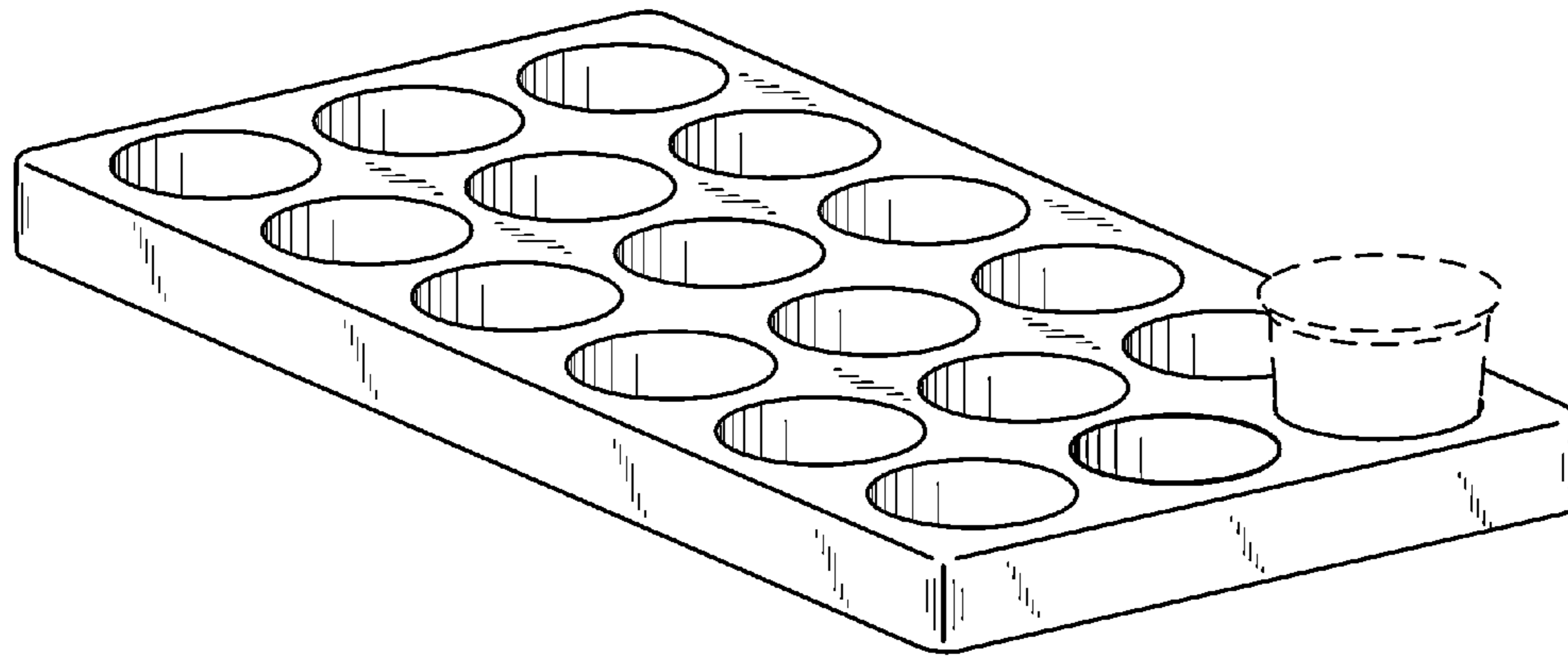


FIG. 1

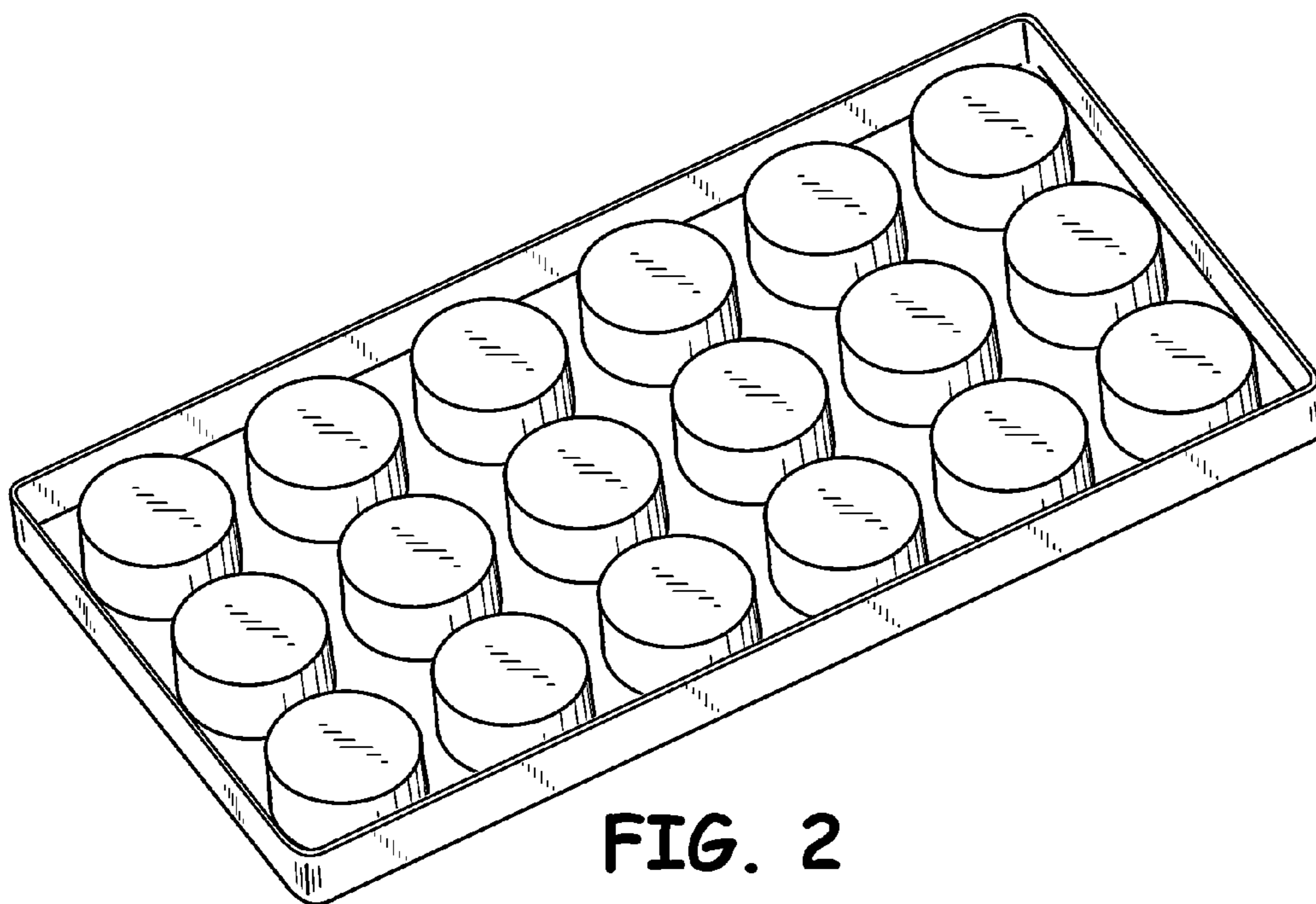


FIG. 2

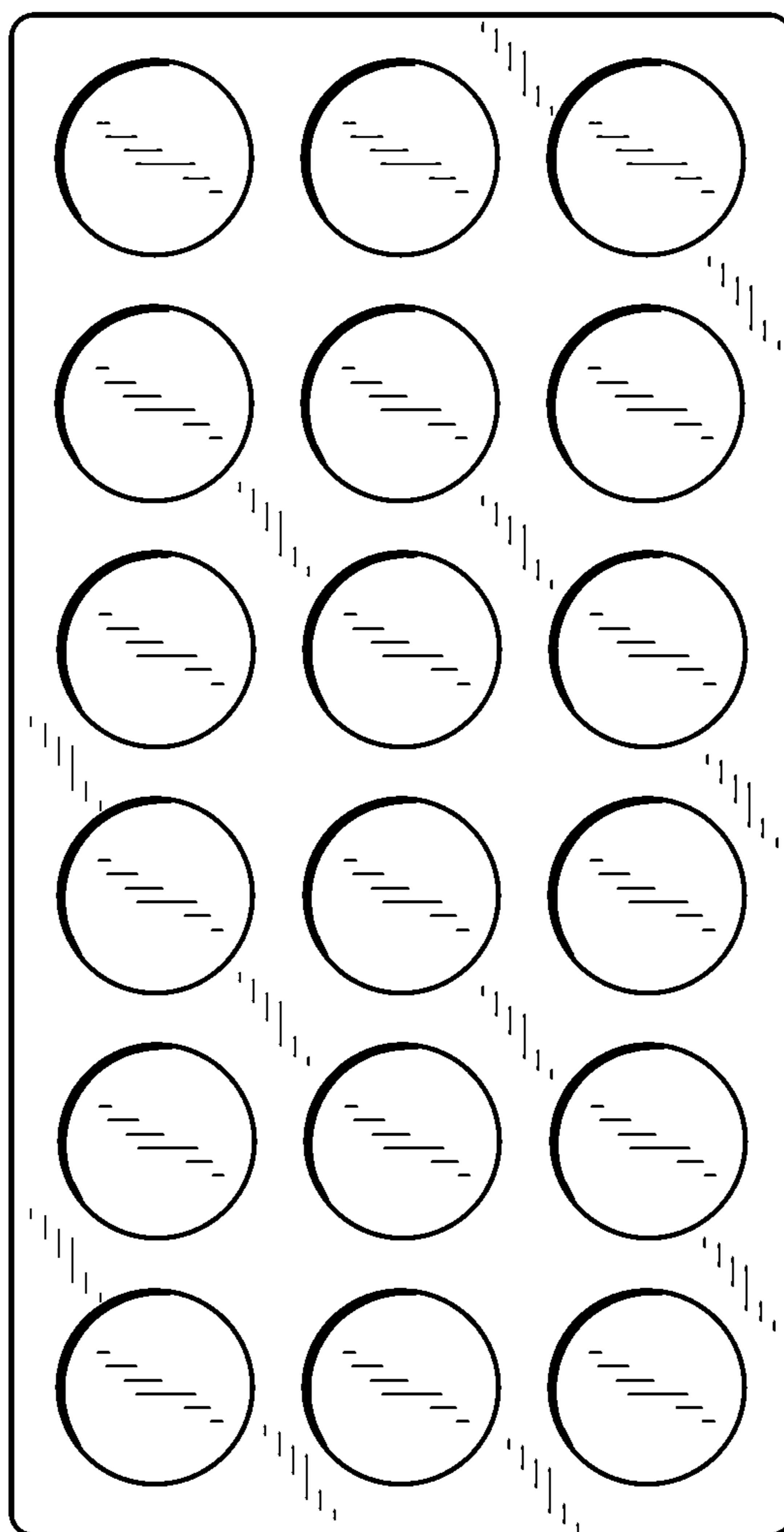


FIG. 3

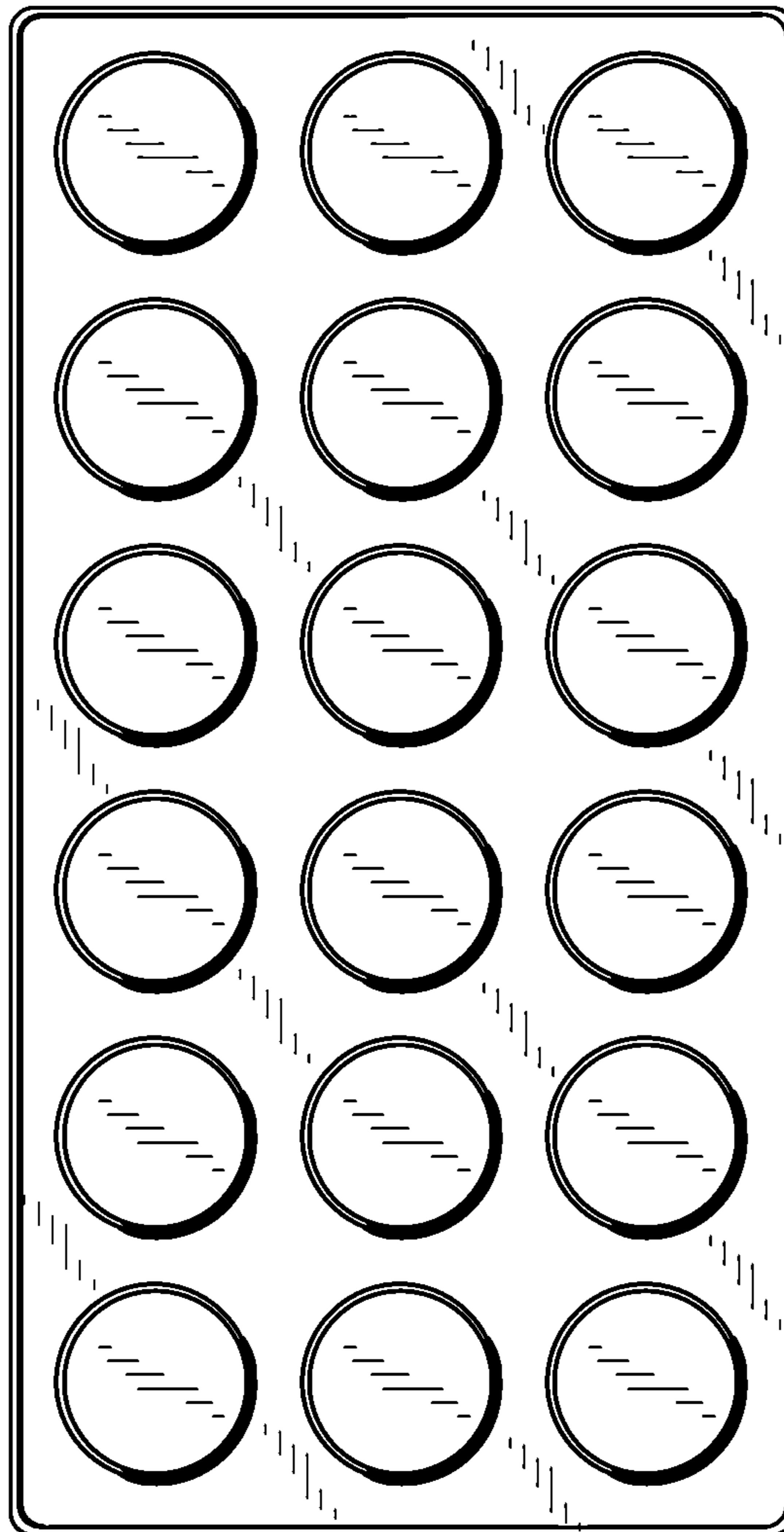


FIG. 4



FIG. 5

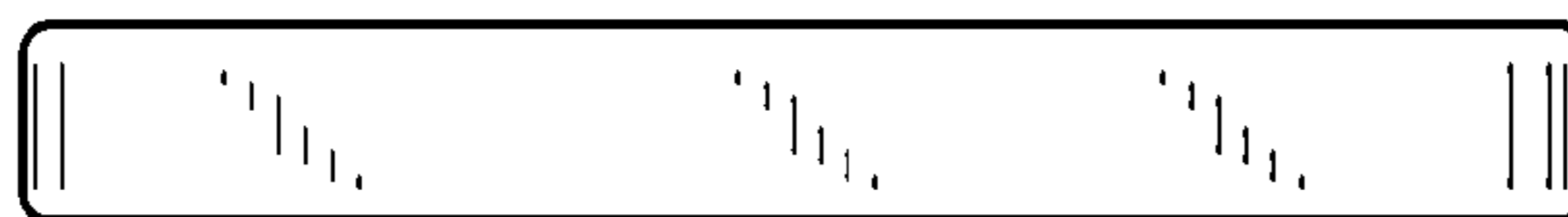


FIG. 6