



US00D695076S

(12) **United States Design Patent**  
**Cocci**

(10) **Patent No.:** **US D695,076 S**

(45) **Date of Patent:** **\*\* Dec. 10, 2013**

(54) **STACKABLE CUP**

(76) Inventor: **Marco David Cocci**, Morghill (ZA)

(\*\*) Term: **14 Years**

(21) Appl. No.: **29/432,303**

(22) Filed: **Sep. 14, 2012**

(51) **LOC (9) Cl.** ..... **07-01**

(52) **U.S. Cl.**  
USPC ..... **D7/533**

(58) **Field of Classification Search**  
USPC ..... D7/533, 536, 509; 215/386; 220/705,  
220/592.16, 592.17, 710.5; 206/515  
See application file for complete search history.

(56) **References Cited**

U.S. PATENT DOCUMENTS

D347,547 S *	6/1994	Heinrich	.....	D7/533
D502,056 S *	2/2005	Bakti	.....	D7/507
D541,105 S *	4/2007	Jin	.....	D7/510
D598,713 S *	8/2009	Luft	.....	D7/533
D613,121 S *	4/2010	Luft	.....	D7/533
D622,549 S *	8/2010	Carreno	.....	D7/533

D646,524 S *	10/2011	Kortleven	.....	D7/533
D675,479 S *	2/2013	Phillips	.....	D7/507
D678,727 S *	3/2013	Kolar	.....	D7/533

\* cited by examiner

*Primary Examiner* — Marianne Pandozzi

(74) *Attorney, Agent, or Firm* — Barnes & Thornburg LLP

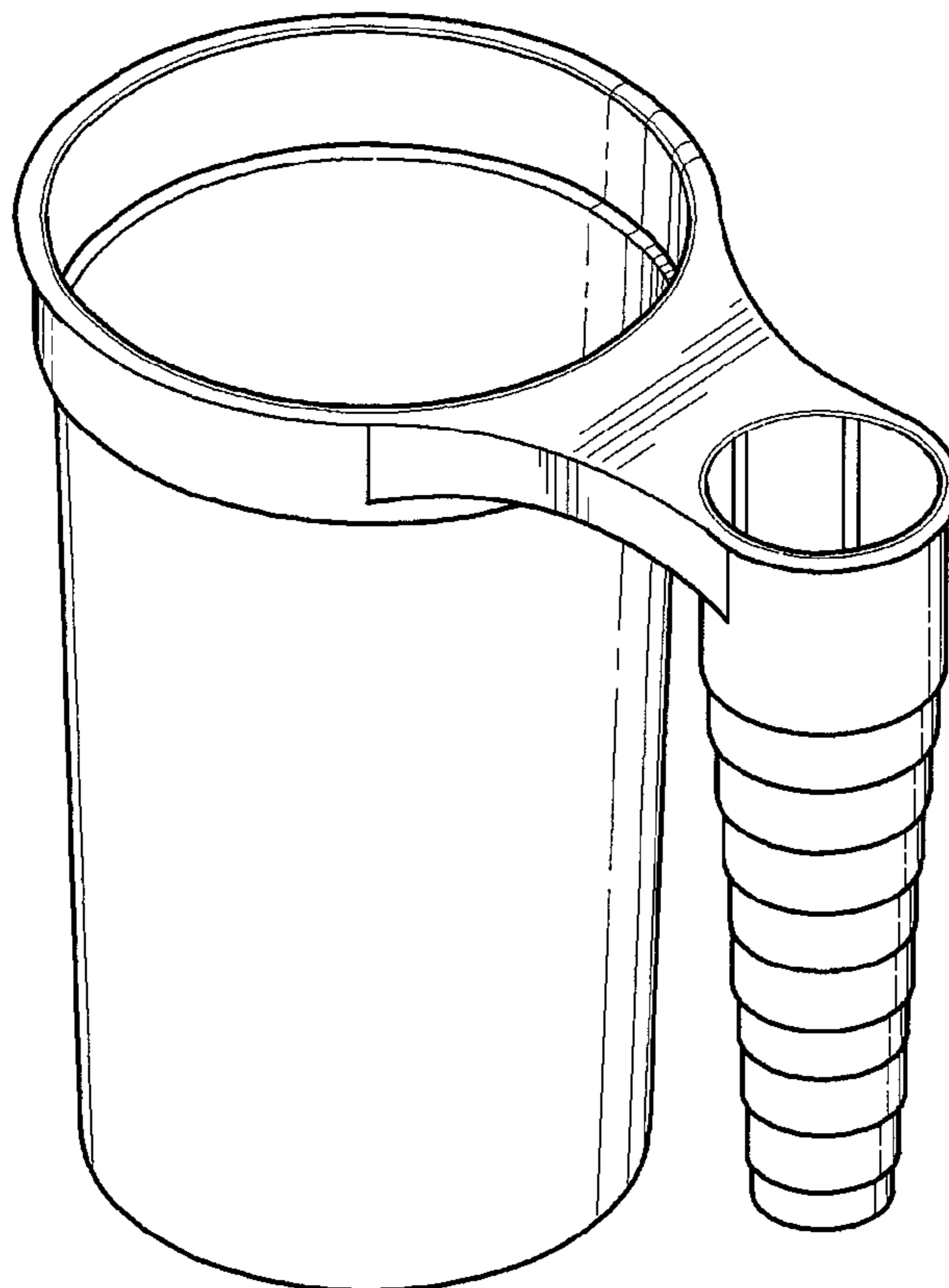
(57) **CLAIM**

The ornamental design for a stackable cup, as shown and described.

**DESCRIPTION**

FIG. 1 is a perspective view of a stackable cup showing my new design;  
FIG. 2 is a side view of the stackable cup as illustrated in FIG. 1;  
FIG. 3 is a front view of the stackable cup as illustrated in FIG. 1;  
FIG. 4 is a rear view of the stackable cup as illustrated in FIG. 1;  
FIG. 5 is a top view of the stackable cup as illustrated in FIG. 1; and,  
FIG. 6 is a bottom view of the stackable cup as illustrated in FIG. 1.

**1 Claim, 3 Drawing Sheets**



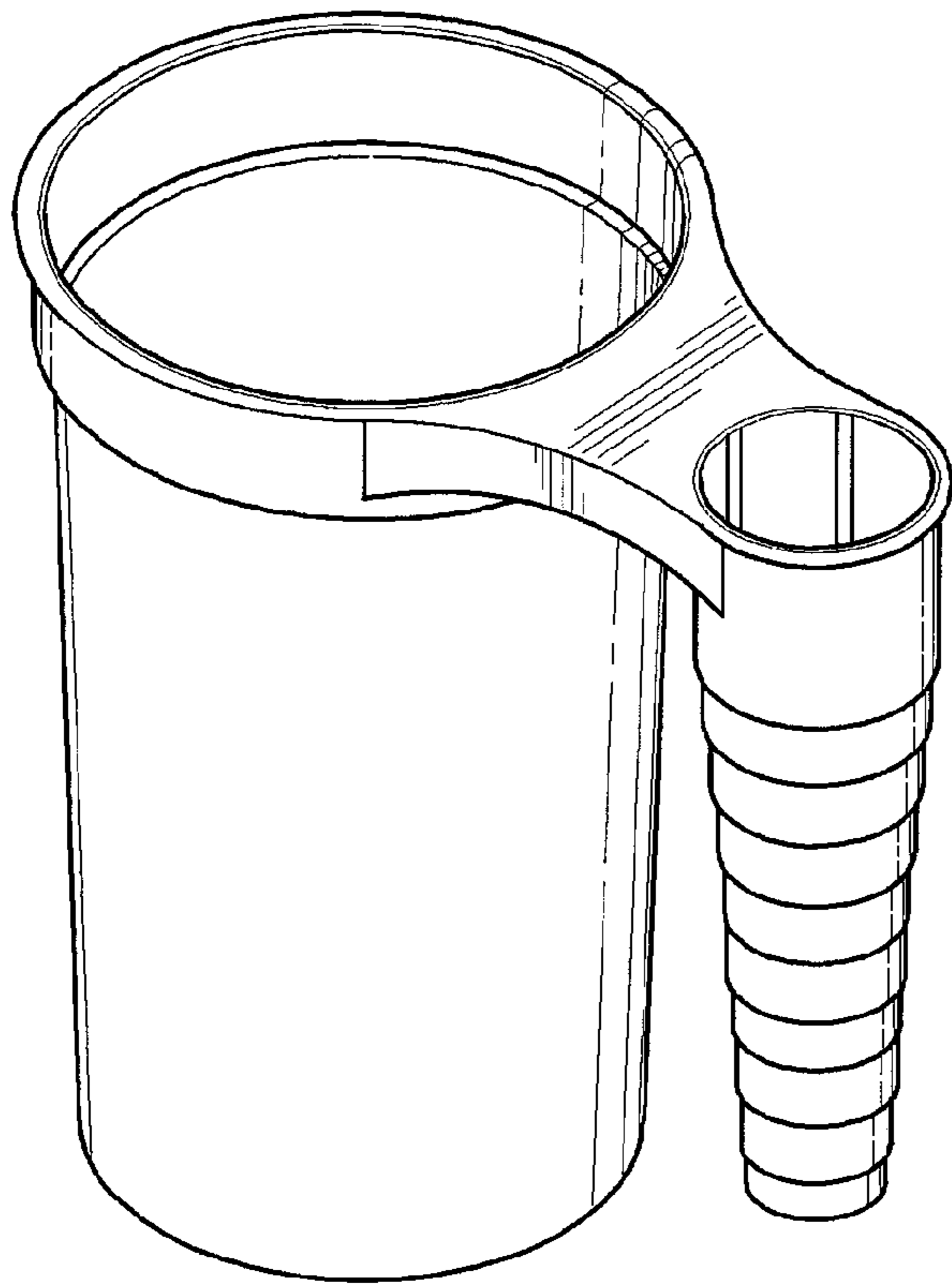


FIG. 1

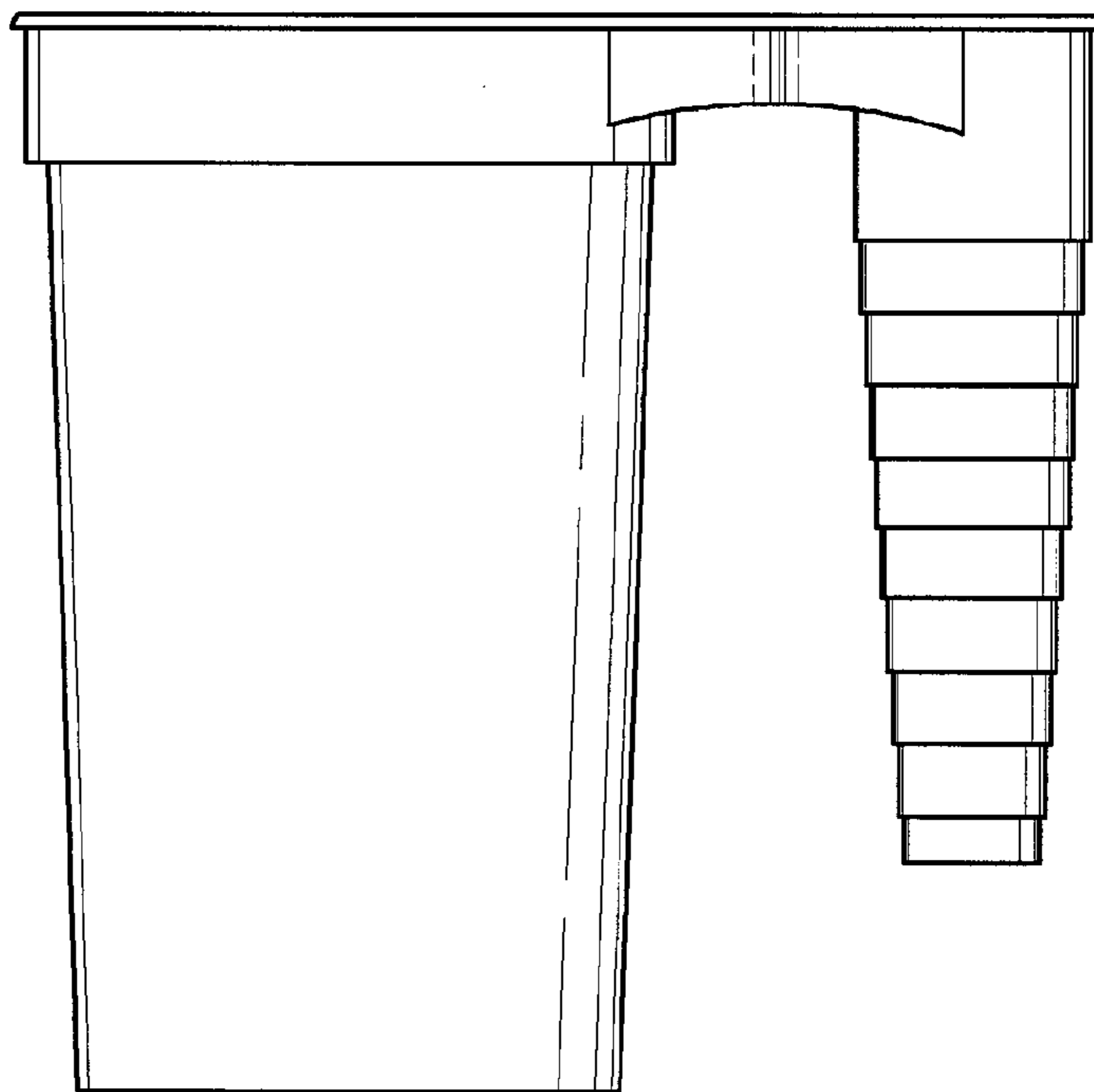
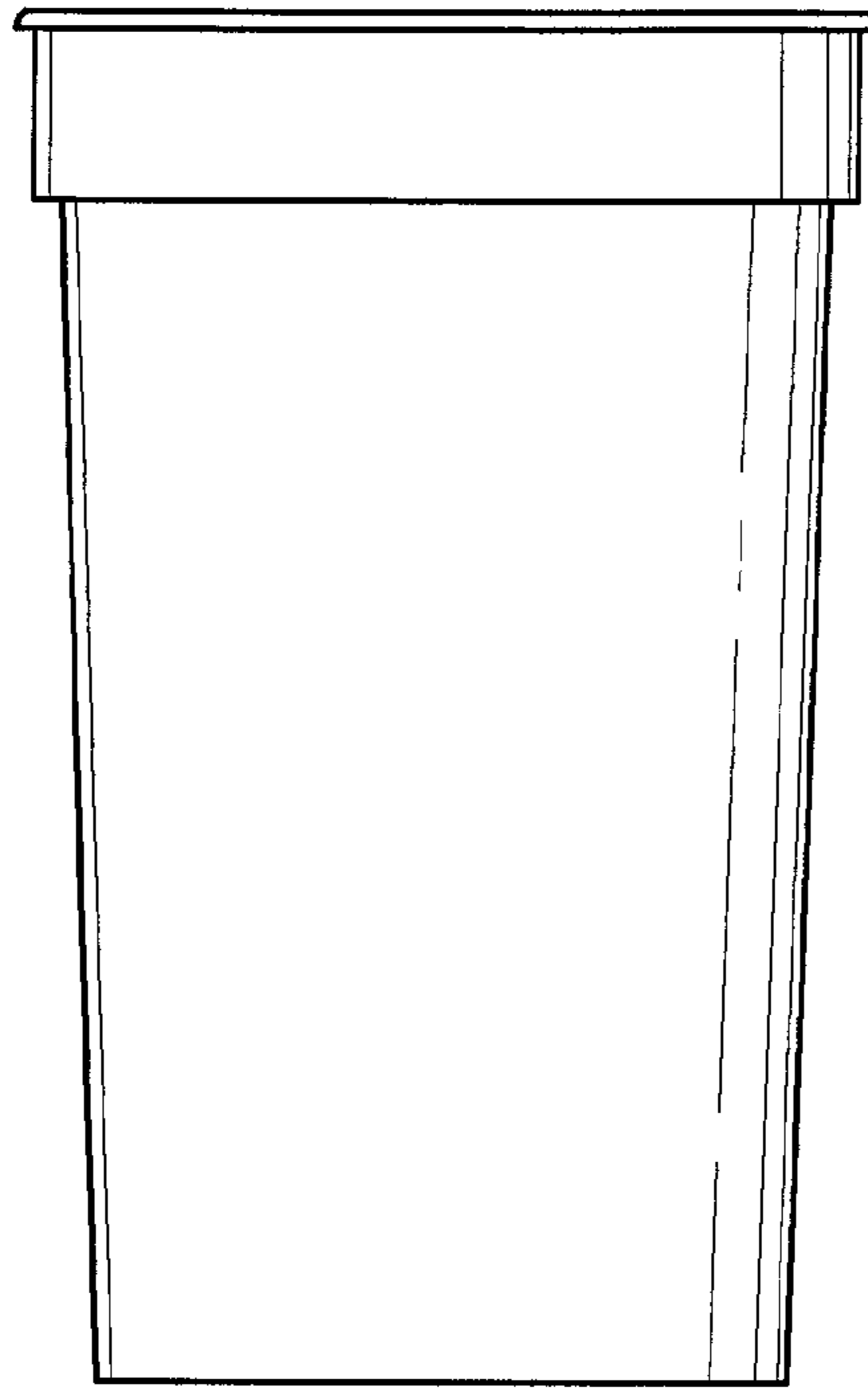
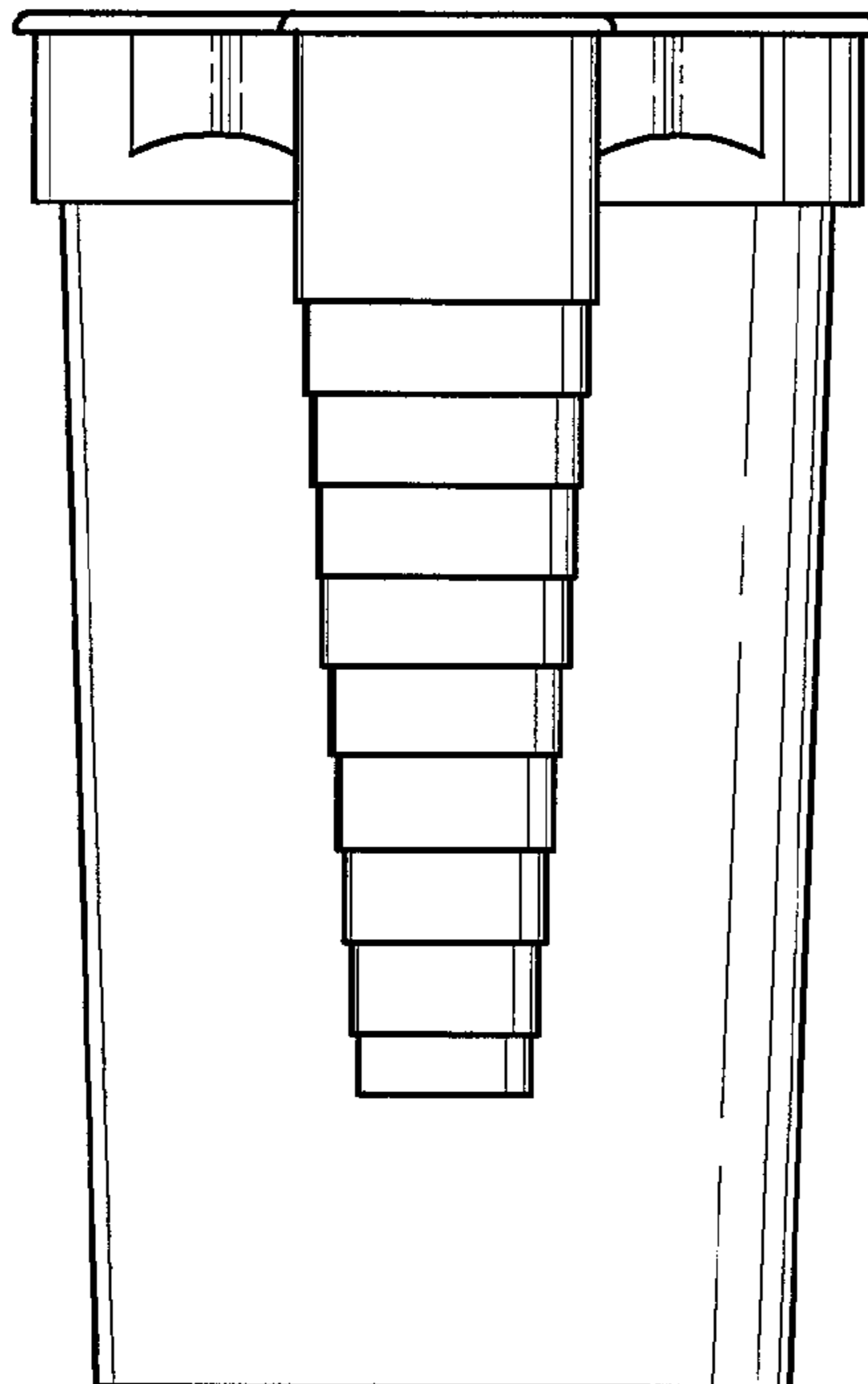


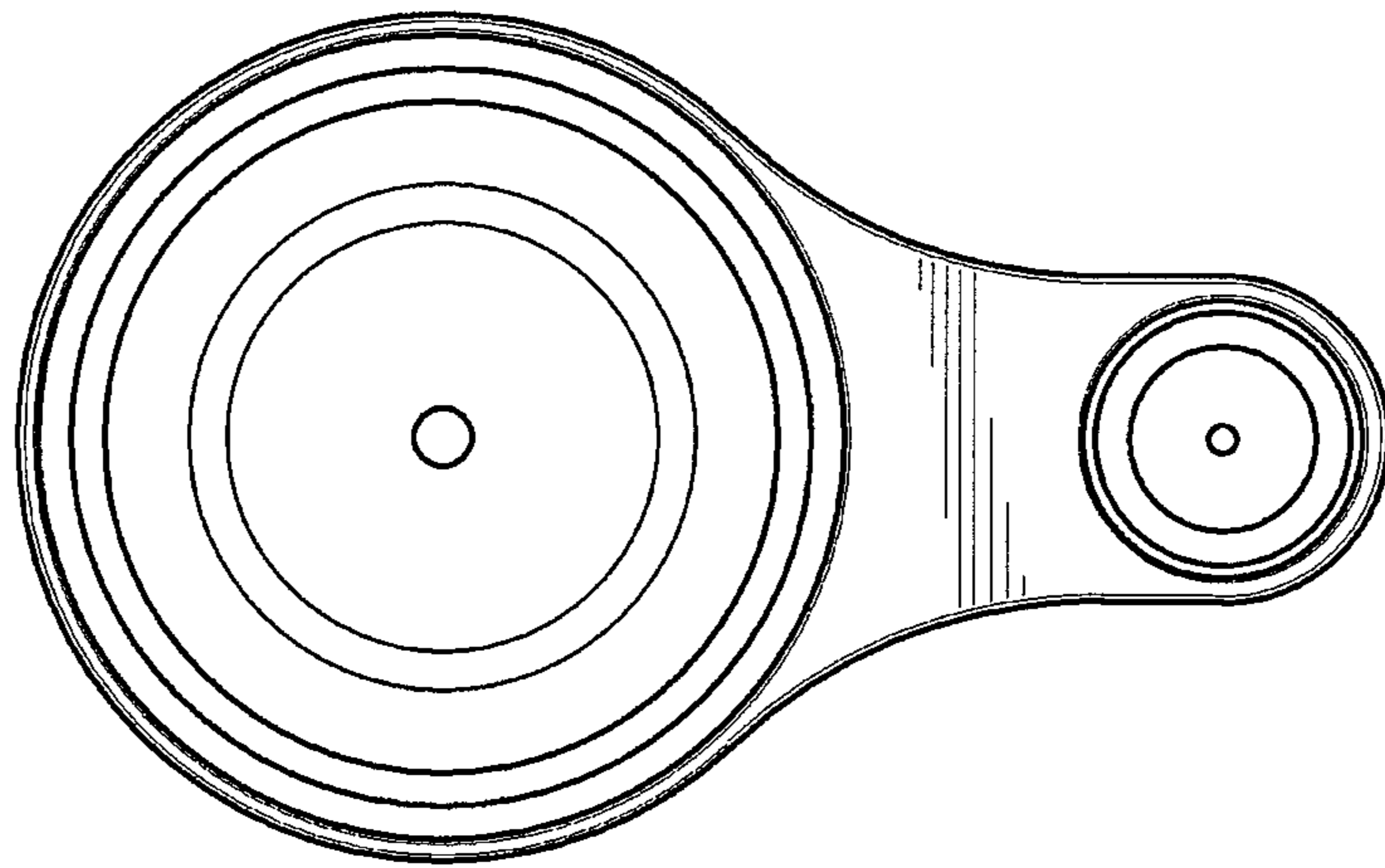
FIG. 2



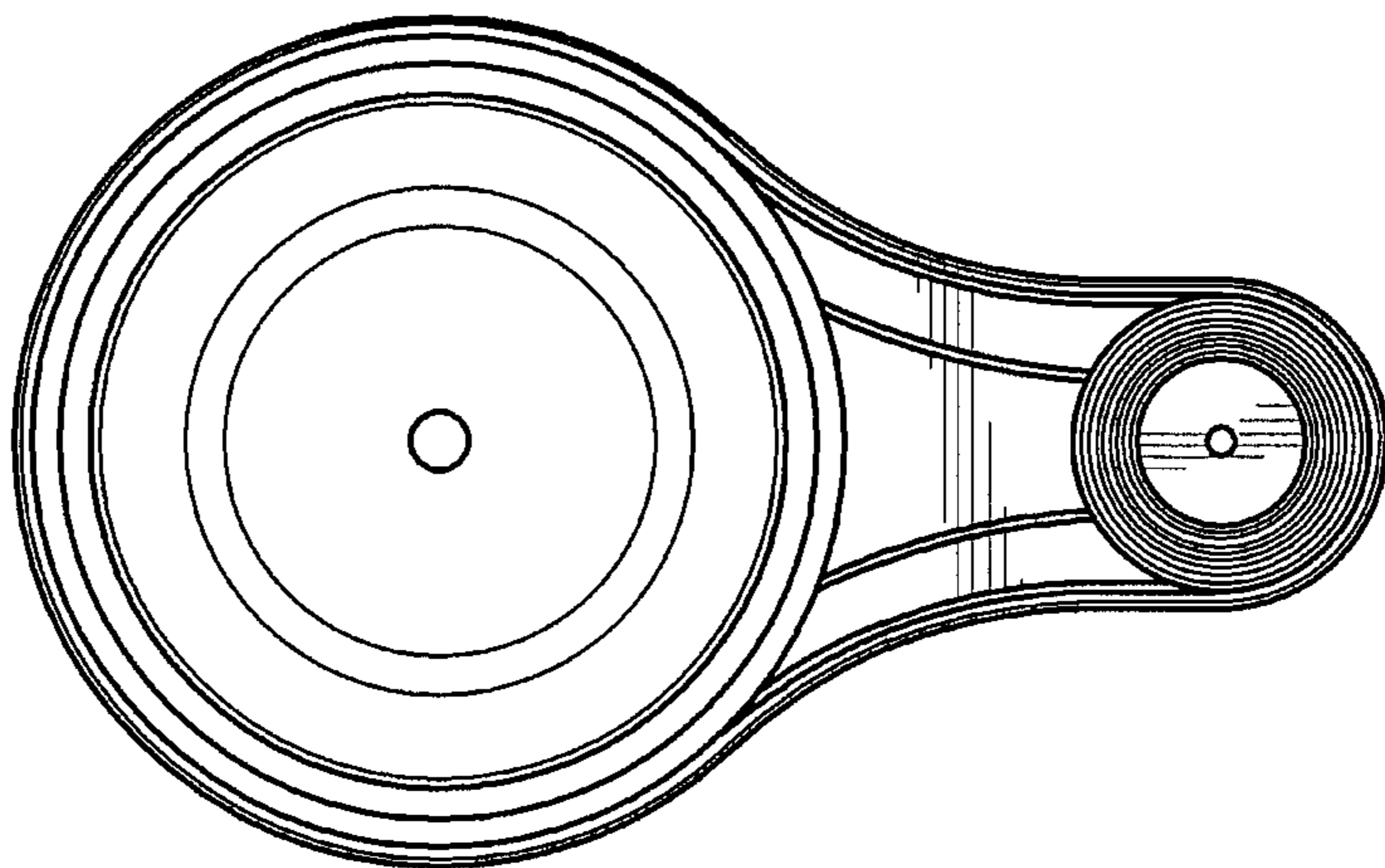
**FIG. 3**



**FIG. 4**



**FIG. 5**



**FIG. 6**