

US00D695070S

(12) **United States Design Patent**  
**Strobel et al.**

(10) **Patent No.:** **US D695,070 S**

(45) **Date of Patent:** **\*\* Dec. 10, 2013**

(54) **BEVERAGE CONTAINER**

(71) Applicants: **Scott G. Strobel**, Plymouth, CT (US);  
**Ronald Lee Schoelkopf**, White Hall,  
MD (US)

(72) Inventors: **Scott G. Strobel**, Plymouth, CT (US);  
**Ronald Lee Schoelkopf**, White Hall,  
MD (US)

(73) Assignee: **Progressive Specialty Glass Co. Inc.**,  
Plainville, CT (US)

(\*\*) Term: **14 Years**

(21) Appl. No.: **29/438,800**

(22) Filed: **Dec. 4, 2012**

(51) **LOC (9) Cl.** ..... **07-01**

(52) **U.S. Cl.**  
USPC ..... **D7/510; D7/536; D9/531; D9/520**

(58) **Field of Classification Search**  
USPC ..... **D7/510, 511, 533, 536; D9/531, 520,**  
**D9/503, 526; 206/219, 221, 509; 220/729,**  
**220/23.86; 215/6**

See application file for complete search history.

(56) **References Cited**

**U.S. PATENT DOCUMENTS**

880,082	A *	2/1908	Kendrick	.....	215/6
3,410,444	A *	11/1968	Morane	.....	206/219
D338,407	S *	8/1993	Lynd	.....	D9/531
D359,654	S *	6/1995	Westgerdes	.....	D7/511
D360,338	S *	7/1995	Westgerdes	.....	D7/511
D390,113	S *	2/1998	Rausch	.....	D9/520
D422,906	S *	4/2000	Mellish	.....	D9/745
6,116,439	A *	9/2000	Yaniv	.....	215/11.1
6,237,269	B1 *	5/2001	Key	.....	40/638

D447,004	S *	8/2001	Green	.....	D7/510
6,439,416	B1 *	8/2002	Hawkins	.....	220/524
D496,222	S *	9/2004	Kleckauskas et al.	.....	D7/507
D508,651	S *	8/2005	Harrell et al.	.....	D9/531
7,331,478	B2 *	2/2008	Aljadi	.....	215/11.4
D604,984	S *	12/2009	Kalamaras	.....	D7/300.1
D617,449	S *	6/2010	Walker	.....	D24/122
7,798,346	B2 *	9/2010	Nelson et al.	.....	215/6
D647,369	S *	10/2011	Bryman et al.	.....	D7/507
D653,113	S *	1/2012	Yourist	.....	D9/531
D683,590	S *	6/2013	Austin	.....	D7/510
2005/0098526	A1 *	5/2005	Catalin	.....	215/6

\* cited by examiner

*Primary Examiner* — Marianne Pandozzi

(74) *Attorney, Agent, or Firm* — McCormick, Paulding & Huber LLP

(57) **CLAIM**

The ornamental design for a beverage container, substantially as shown.

**DESCRIPTION**

FIG. 1 is a front view of a beverage container showing our new design;

FIG. 2 is a rear view thereof;

FIG. 3 is a right-hand side view thereof;

FIG. 4 is a left-hand side view thereof;

FIG. 5 is a top view thereof;

FIG. 6 is a bottom view thereof;

FIG. 7 is an exploded front view thereof;

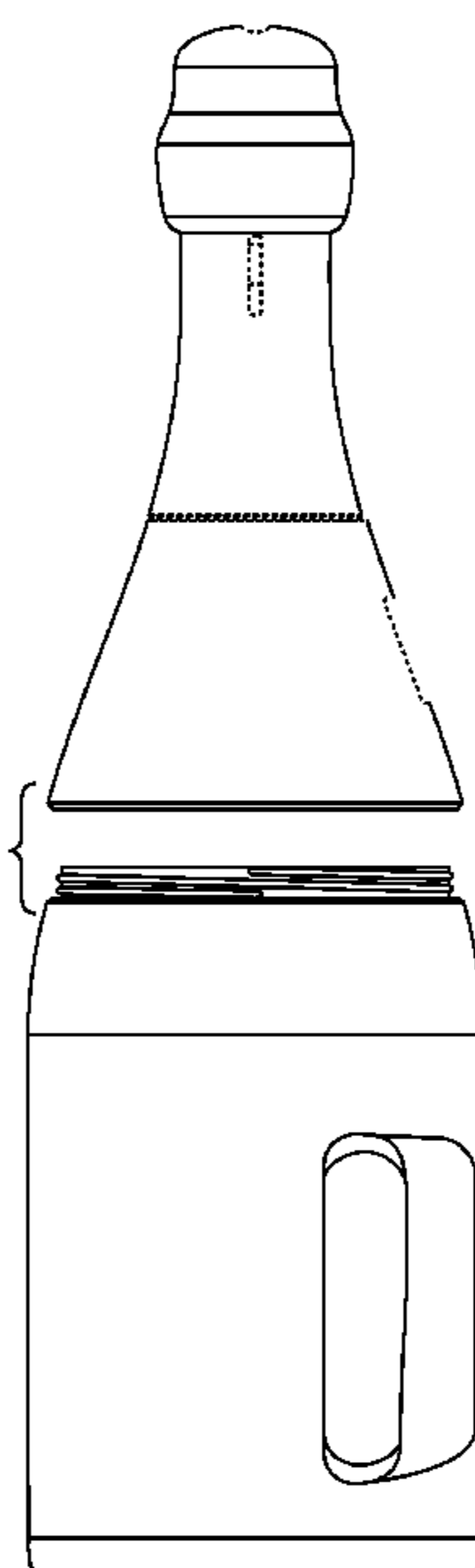
FIG. 8 is an exploded rear view thereof;

FIG. 9 is an exploded right-hand side view thereof; and,

FIG. 10 is an exploded left-hand side view thereof.

The broken lines in the drawings are included for the purpose of illustration and form no part of the claimed design.

**1 Claim, 5 Drawing Sheets**



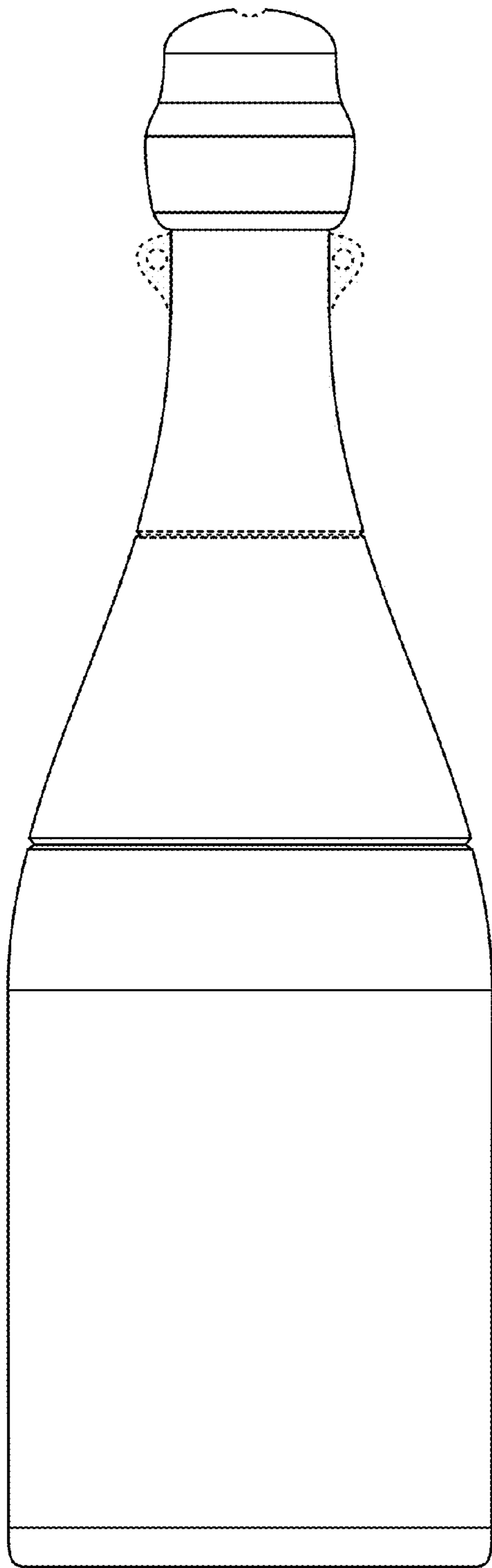


FIG. 1

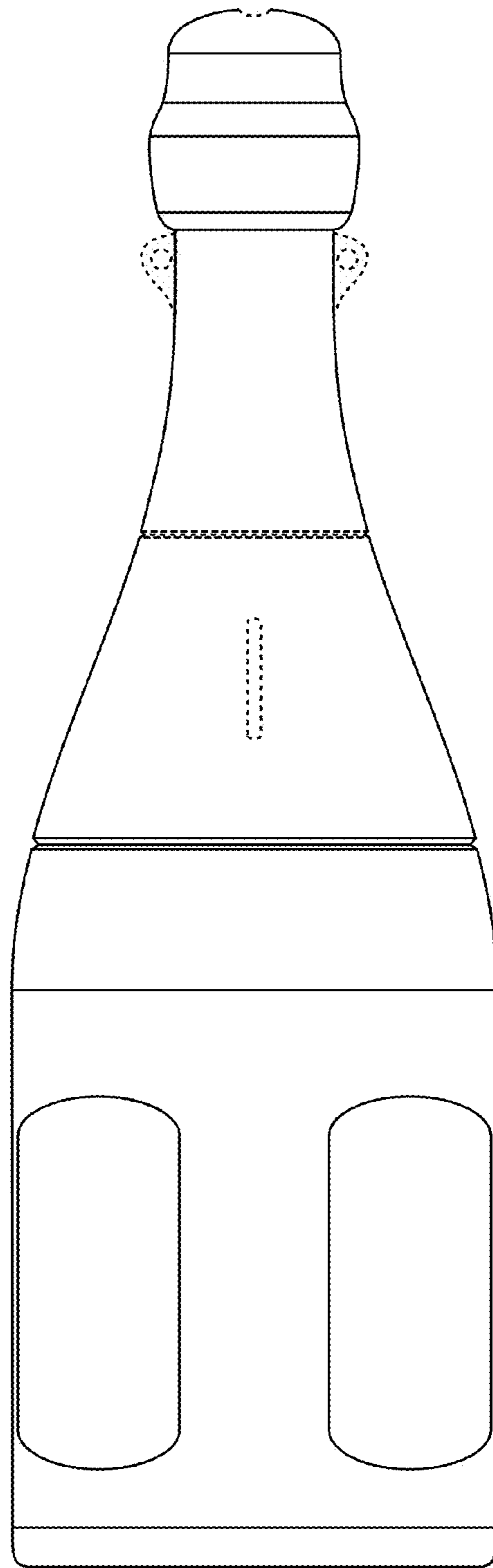


FIG. 2

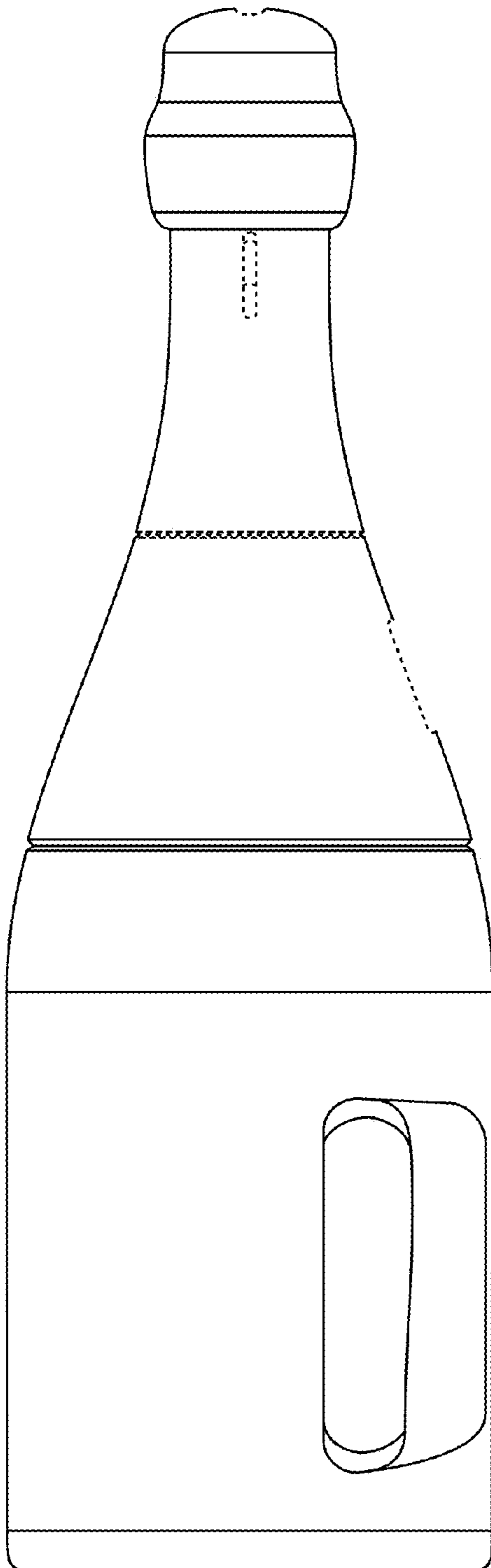


FIG. 3

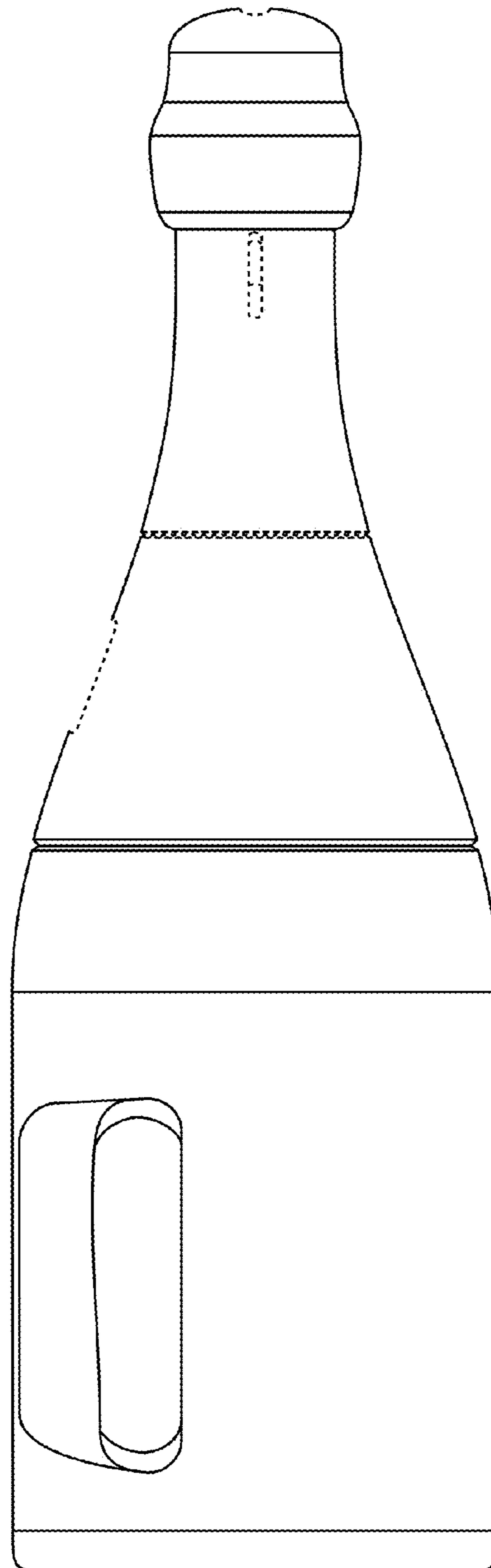


FIG. 4

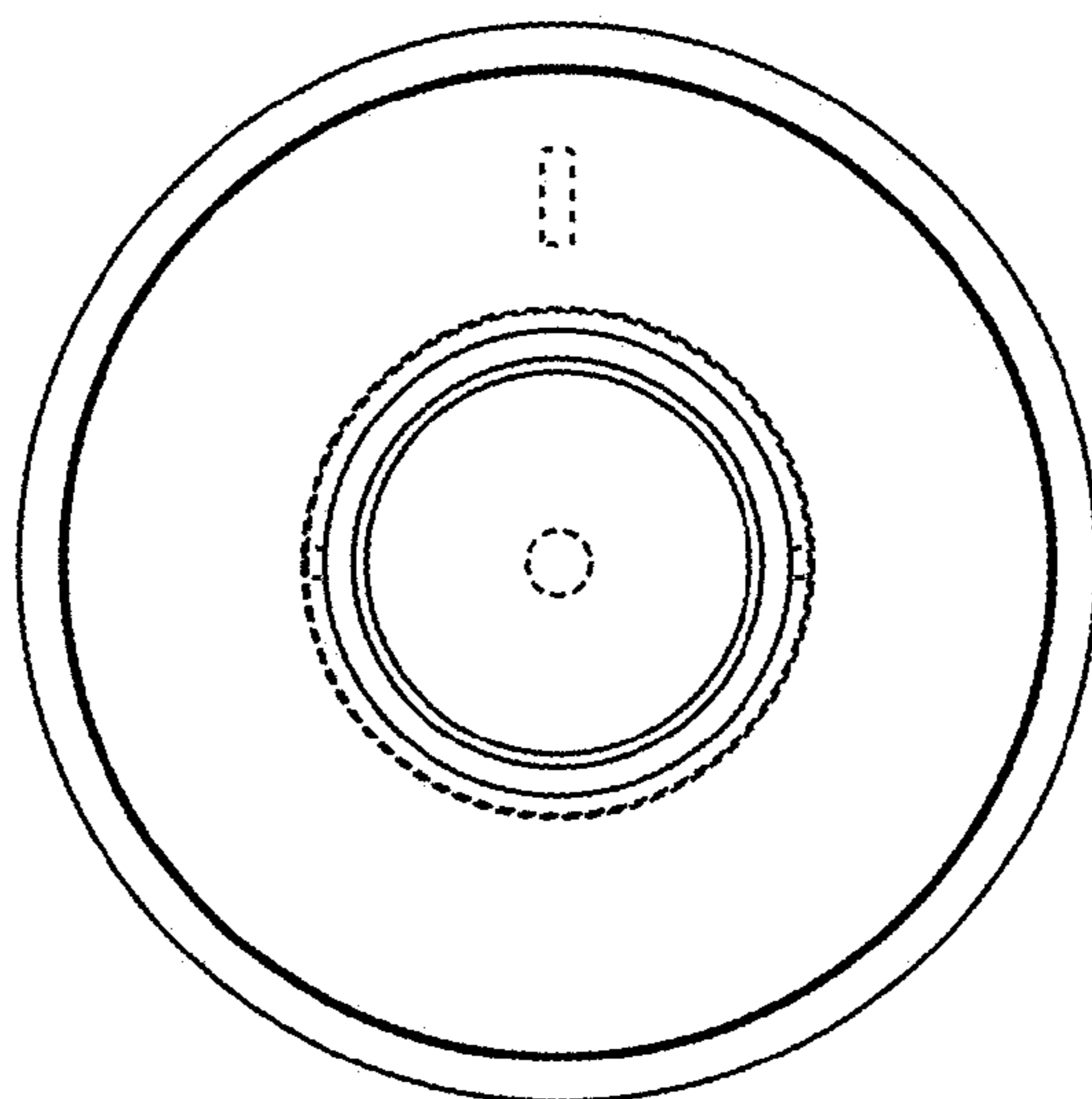


FIG. 5

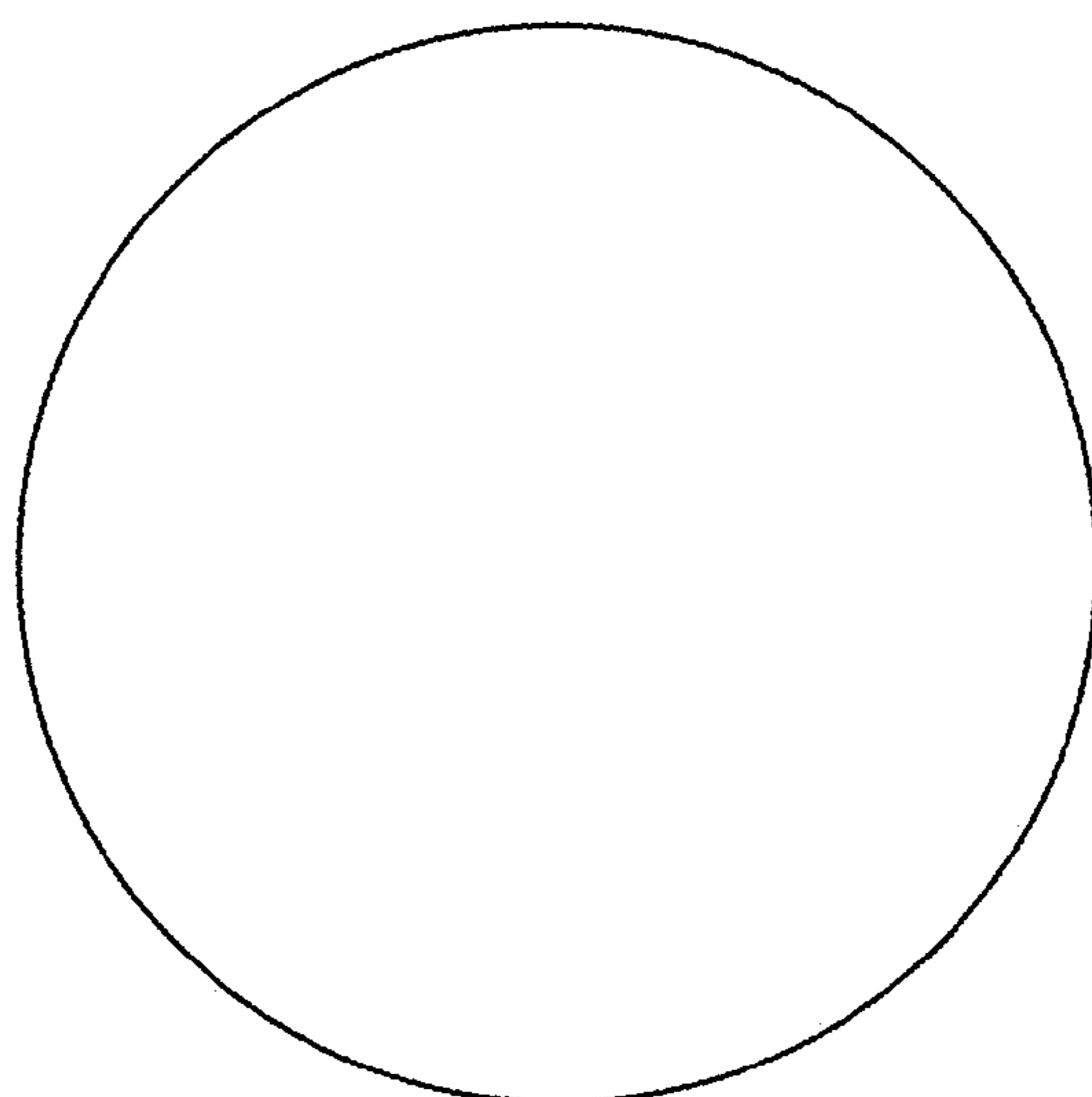


FIG. 6

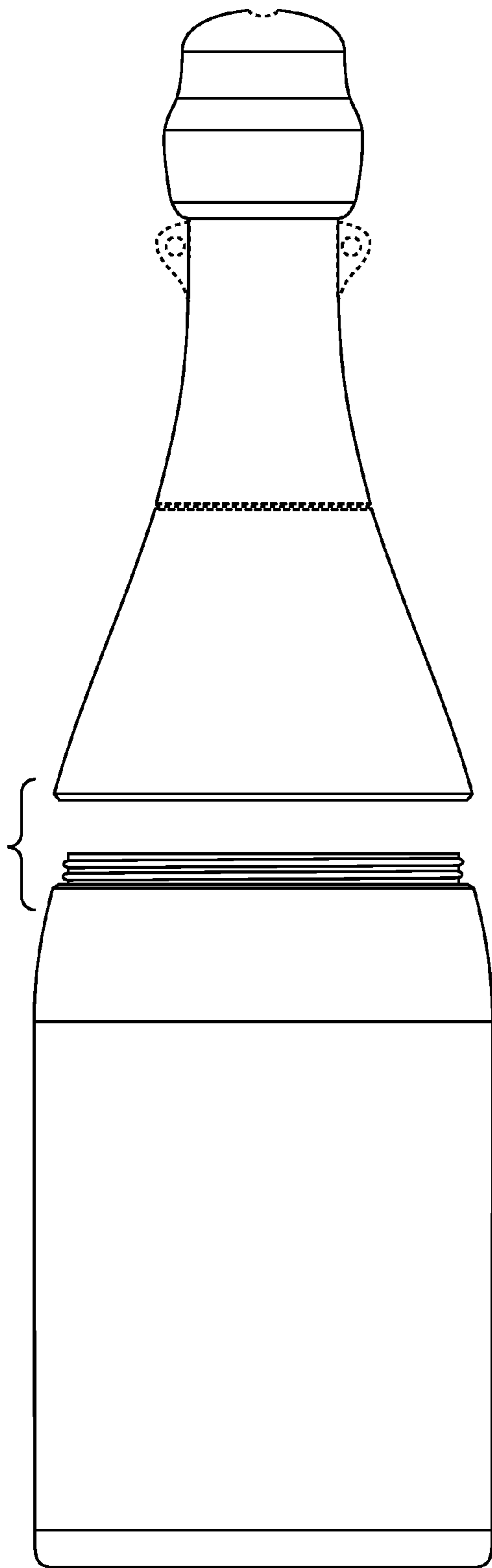


FIG. 7

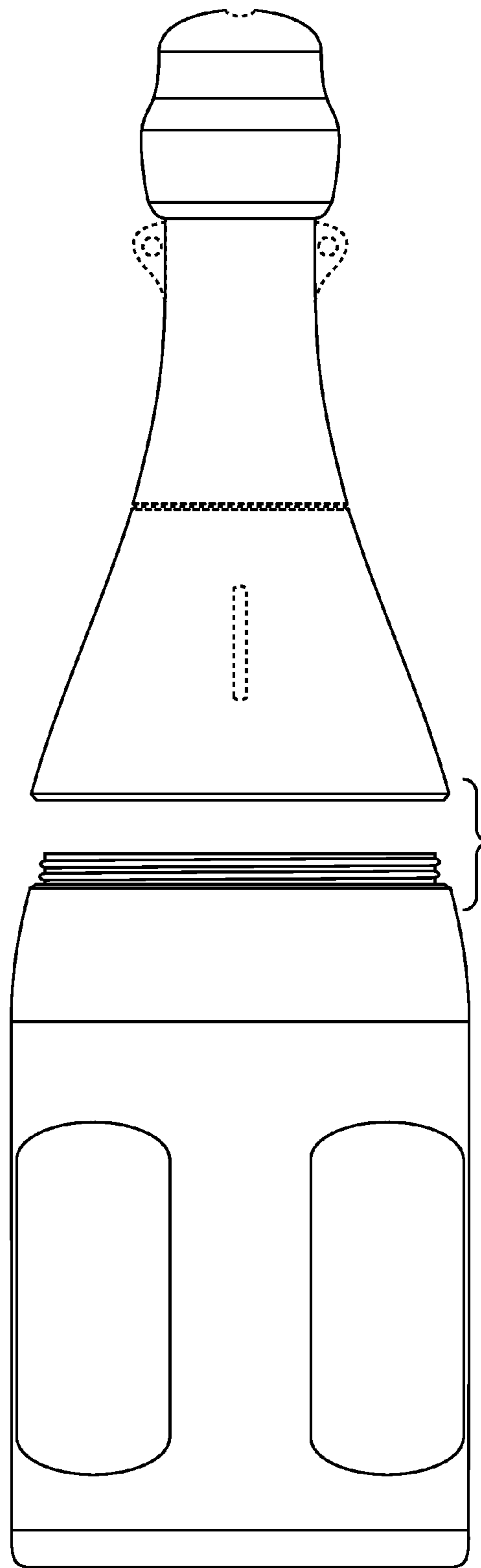


FIG. 8

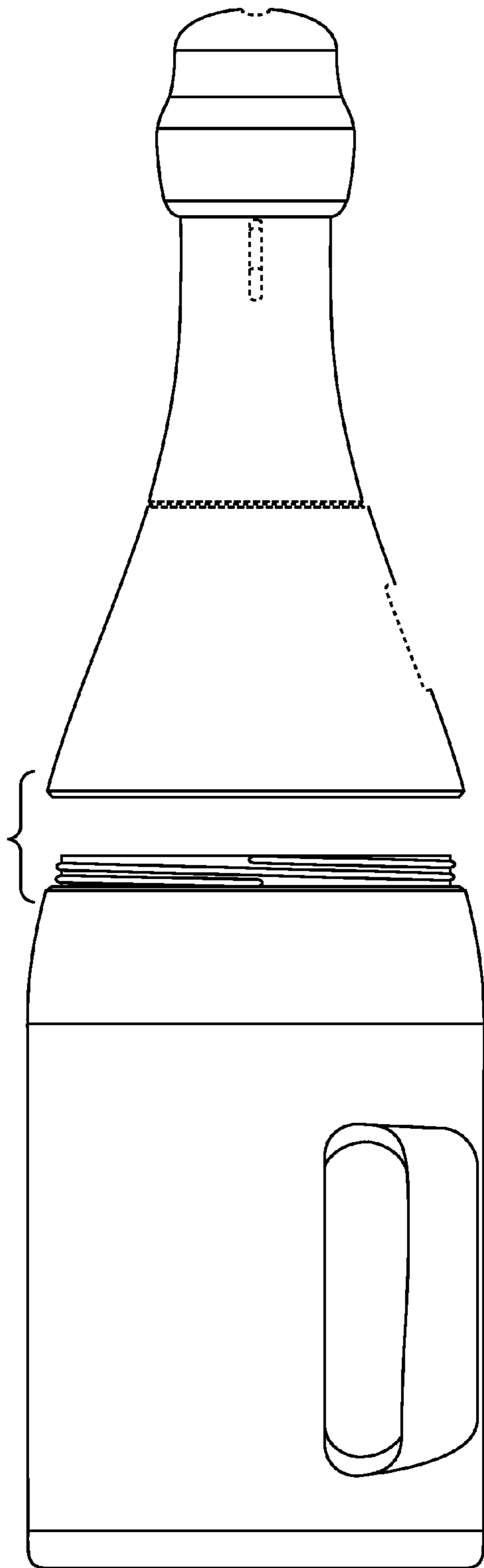


FIG. 9

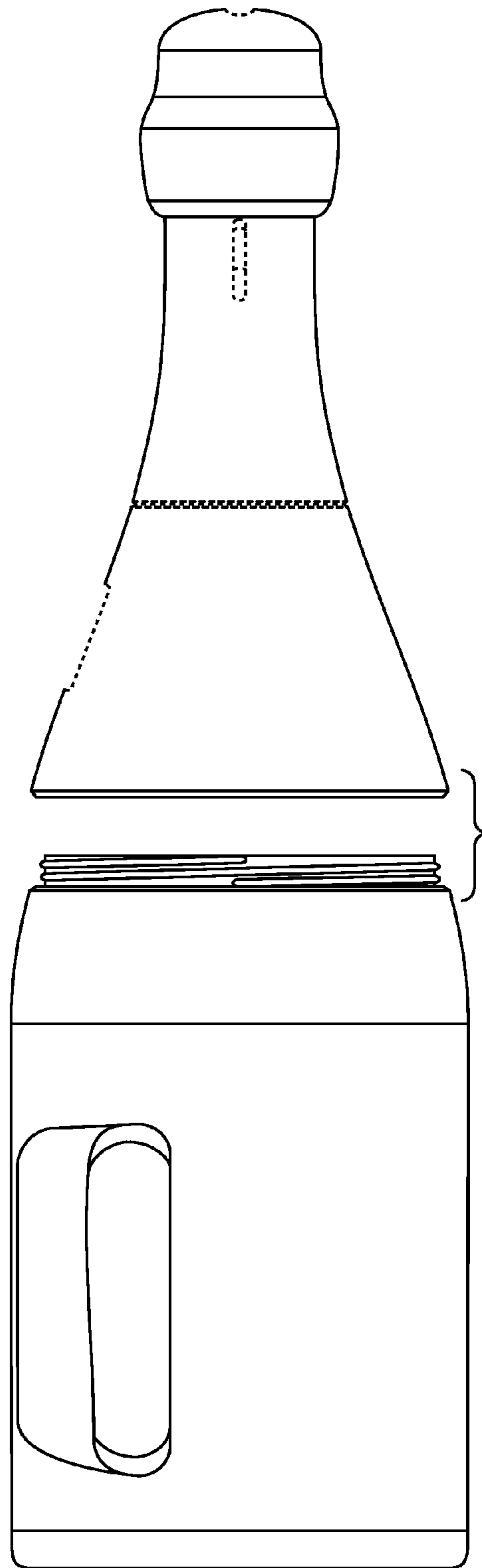


FIG. 10