



US00D695069S

(12) **United States Design Patent**  
**Lane**

(10) **Patent No.:** **US D695,069 S**

(45) **Date of Patent:** **\*\* Dec. 10, 2013**

(54) **DRINK BOTTLE AND LID WITH BUTTON  
RELEASE AT BACK OF LID**

(75) Inventor: **Marvin Lane**, Round Lake Beach, IL  
(US)

(73) Assignee: **Thermos L.L.C.**, Schaumburg, IL (US)

(\*\*) Term: **14 Years**

(21) Appl. No.: **29/414,421**

(22) Filed: **Feb. 28, 2012**

(51) **LOC (9) Cl.** ..... **07-01**

(52) **U.S. Cl.**  
USPC ..... **D7/510; D7/511**

(58) **Field of Classification Search**  
USPC ..... D7/300.1, 510, 511, 509, 523; D9/523,  
D9/445; 220/715, 568; 222/570, 547  
See application file for complete search history.

(56) **References Cited**

**U.S. PATENT DOCUMENTS**

|           |      |         |                 |       |           |
|-----------|------|---------|-----------------|-------|-----------|
| 5,310,081 | A *  | 5/1994  | McCabe          | ..... | 220/715   |
| D455,611  | S *  | 4/2002  | Kitamura et al. | ..... | D7/608    |
| 7,073,678 | B1 * | 7/2006  | Dibdin et al.   | ..... | 220/254.1 |
| D555,000  | S *  | 11/2007 | Bunce et al.    | ..... | D9/529    |
| D587,969  | S *  | 3/2009  | Gilbert         | ..... | D7/510    |
| D588,411  | S *  | 3/2009  | Watanabe        | ..... | D7/510    |
| D592,012  | S *  | 5/2009  | Carreno         | ..... | D7/510    |
| D596,460  | S *  | 7/2009  | Nezu            | ..... | D7/510    |
| D608,640  | S *  | 1/2010  | Carreno         | ..... | D9/449    |
| D614,961  | S *  | 5/2010  | Thomas et al.   | ..... | D9/529    |
| D615,412  | S *  | 5/2010  | Thomas et al.   | ..... | D9/529    |
| D623,473  | S *  | 9/2010  | Chen            | ..... | D7/510    |
| D655,580  | S *  | 3/2012  | Kotani          | ..... | D7/608    |
| D655,581  | S *  | 3/2012  | Kotani          | ..... | D7/608    |
| D656,360  | S *  | 3/2012  | Miller et al.   | ..... | D7/510    |
| D656,787  | S *  | 4/2012  | Phillips et al. | ..... | D7/510    |
| D658,072  | S *  | 4/2012  | Davis et al.    | ..... | D9/689    |

|          |     |        |               |       |        |
|----------|-----|--------|---------------|-------|--------|
| D667,268 | S * | 9/2012 | Pallotto      | ..... | D7/510 |
| D667,269 | S * | 9/2012 | Pallotto      | ..... | D7/510 |
| D675,873 | S * | 2/2013 | Miller et al. | ..... | D7/510 |
| D676,278 | S * | 2/2013 | Wong          | ..... | D7/510 |
| D676,708 | S * | 2/2013 | Lane          | ..... | D7/510 |

**OTHER PUBLICATIONS**

Zojirushi product—Stainless Steel Vacuum Bottle Model No. ST-KA12.

Gocontigo—Autospout Addison Water Bottle—24 oz.

\* cited by examiner

*Primary Examiner* — Marianne Pandozzi

(74) *Attorney, Agent, or Firm* — Schiff Hardin LLP

(57) **CLAIM**

The ornamental design for drink bottle and lid with button release at back of lid, as shown and described.

**DESCRIPTION**

FIG. 1 is a perspective view from the top back of the drink bottle and lid with button release at back of lid of the present invention;

FIG. 2 is a front elevational view of the drink bottle and lid with button release at back of lid of the present invention;

FIG. 3 is a side elevational view of the right side of the drink bottle and lid with button release at back of lid of the present invention;

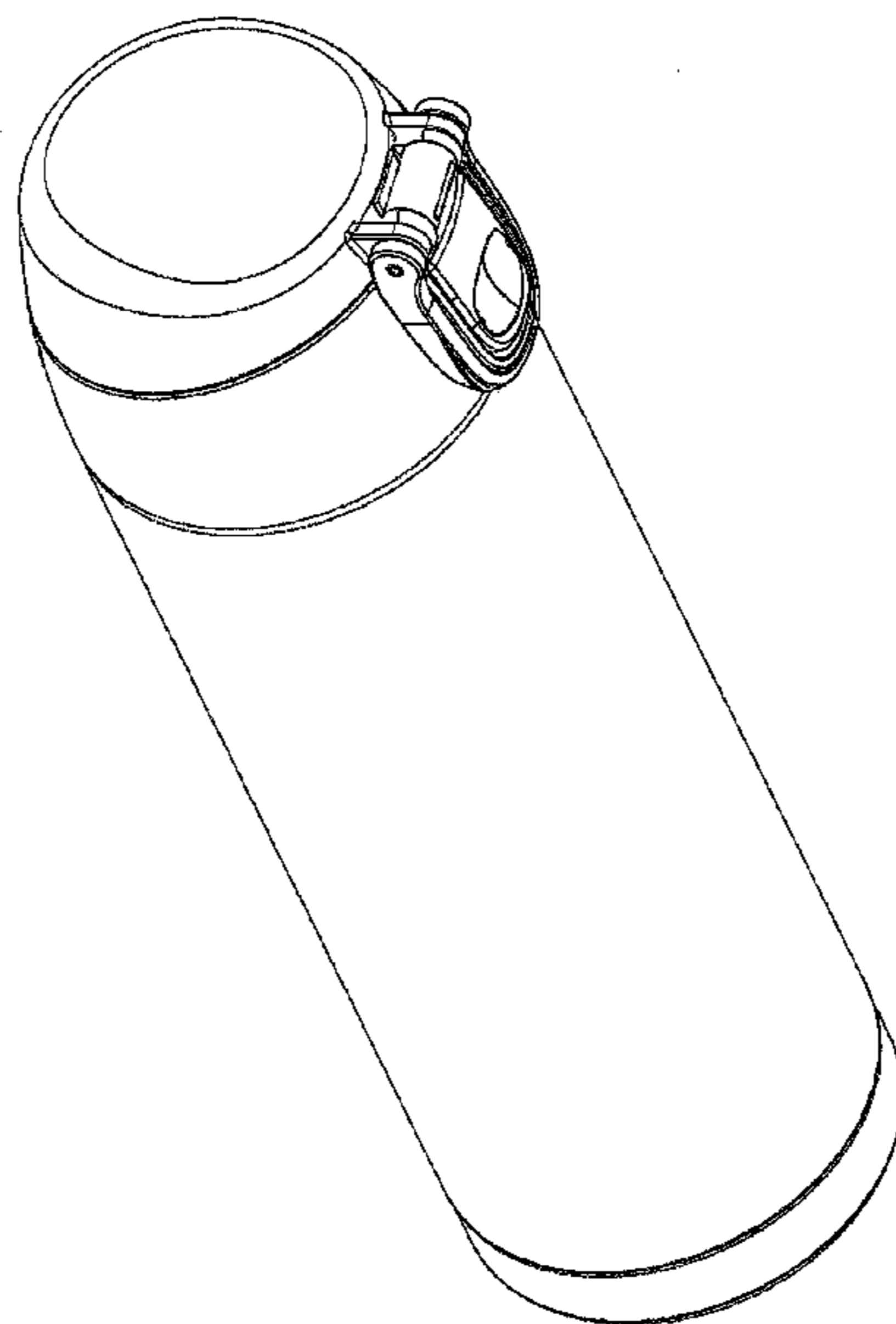
FIG. 4 is a rear elevational view of the drink bottle and lid with button release at back of lid of the present invention;

FIG. 5 is a side elevational view of the left side of the drink bottle and lid with button release at back of lid of the present invention;

FIG. 6 is a top plan view of the drink bottle and lid with button release at back of lid of the present invention; and,

FIG. 7 is a bottle plan view of the drink bottle and lid with button release at back of lid of the present invention.

**1 Claim, 4 Drawing Sheets**



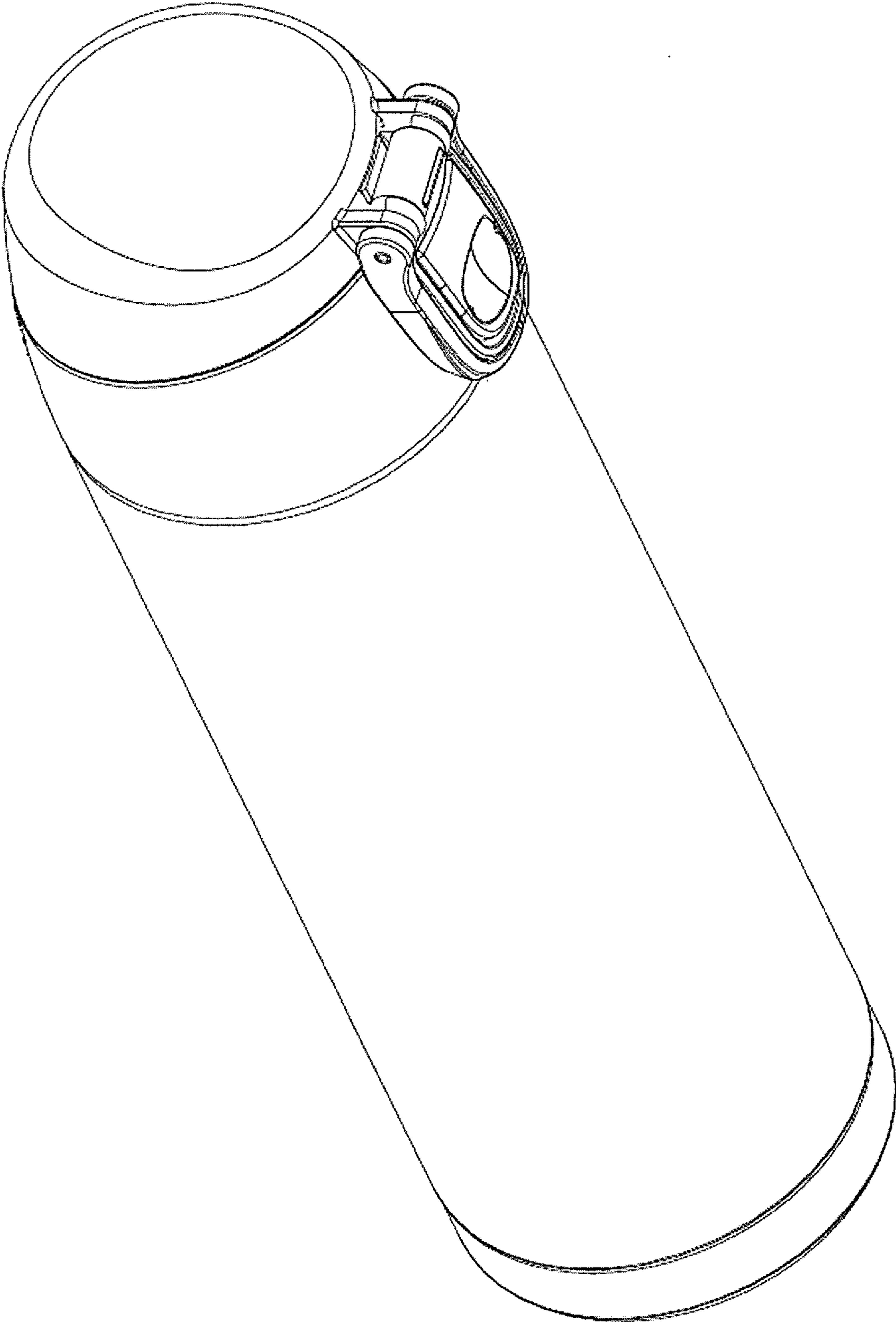


Fig. 1

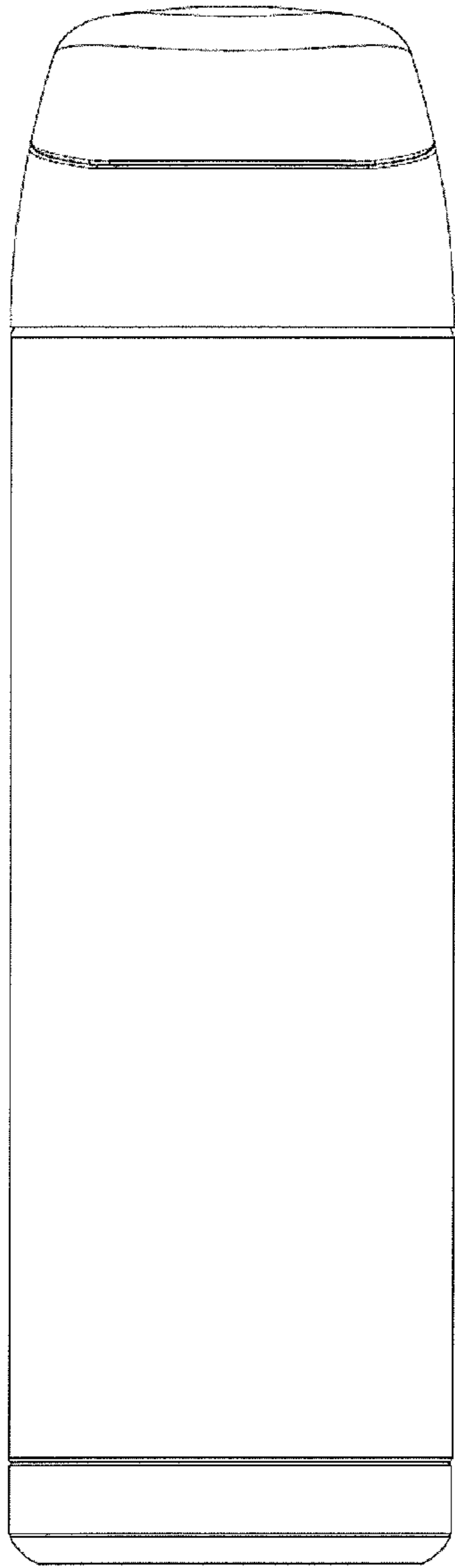


Fig. 2

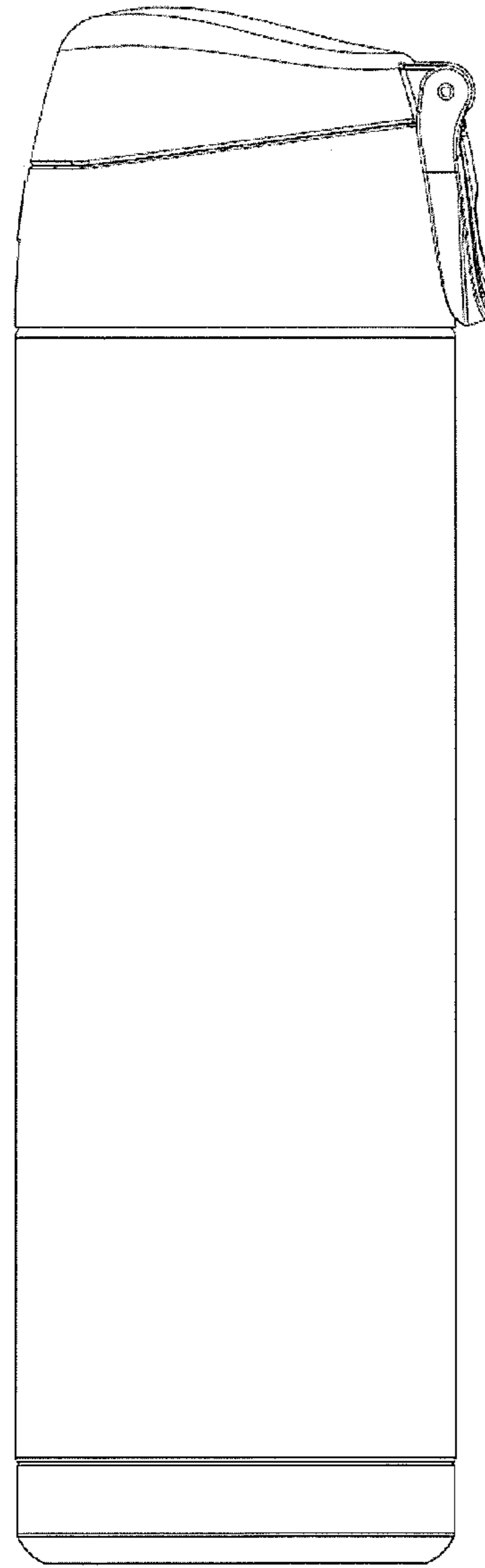


Fig. 3

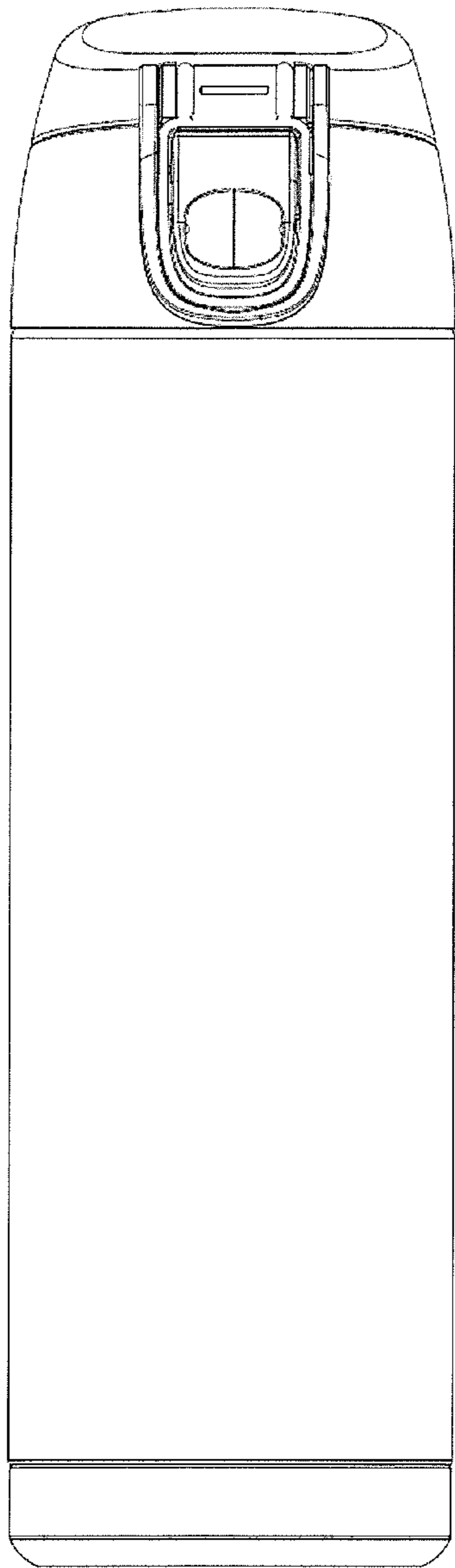


Fig. 4

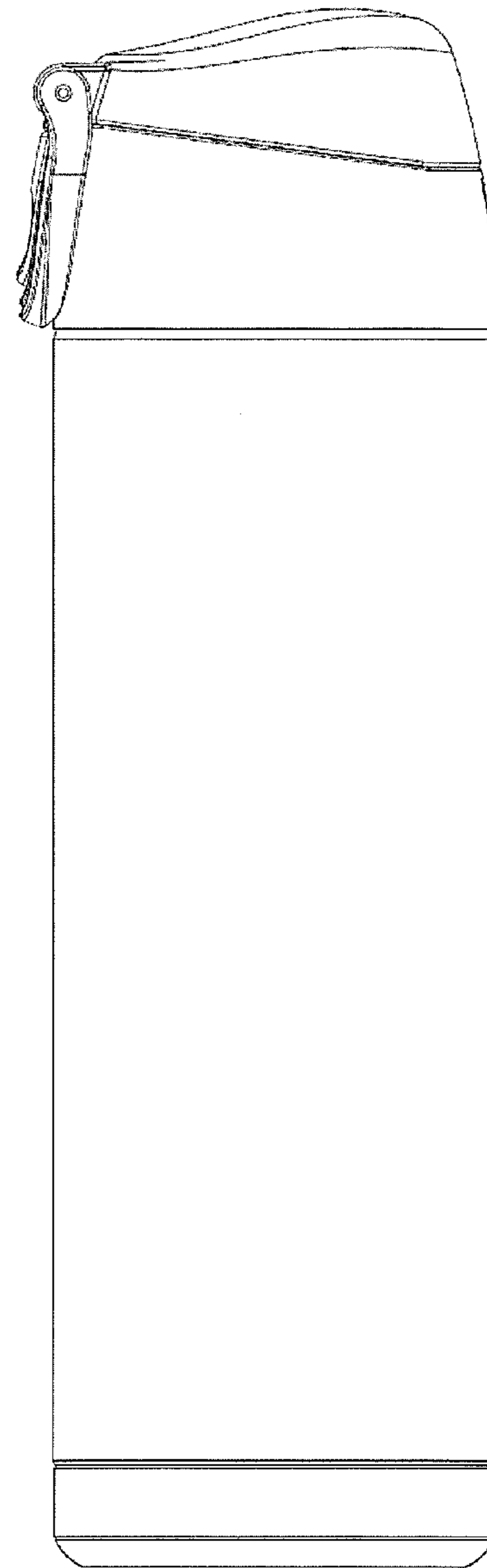


Fig. 5

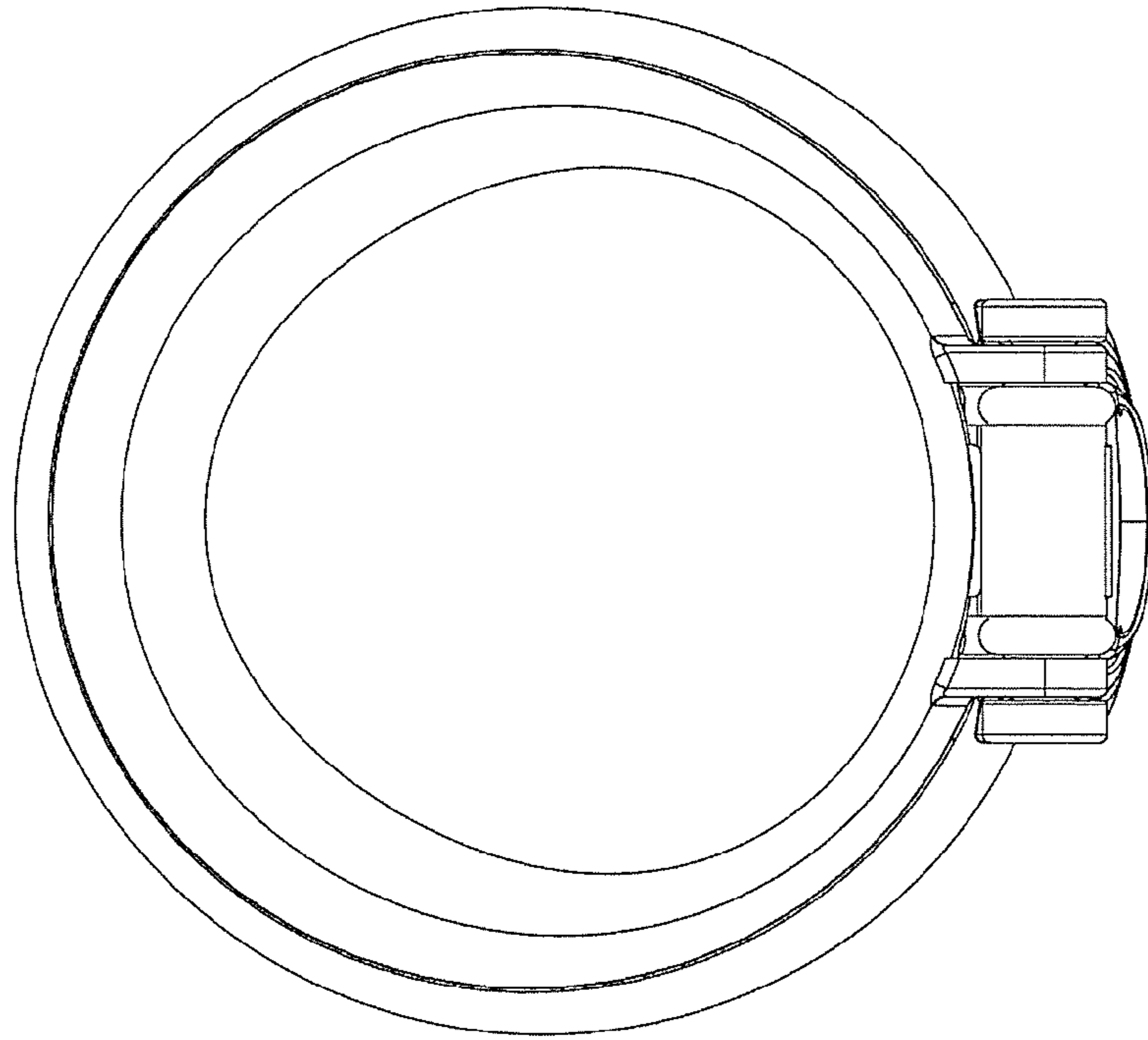


Figure 6

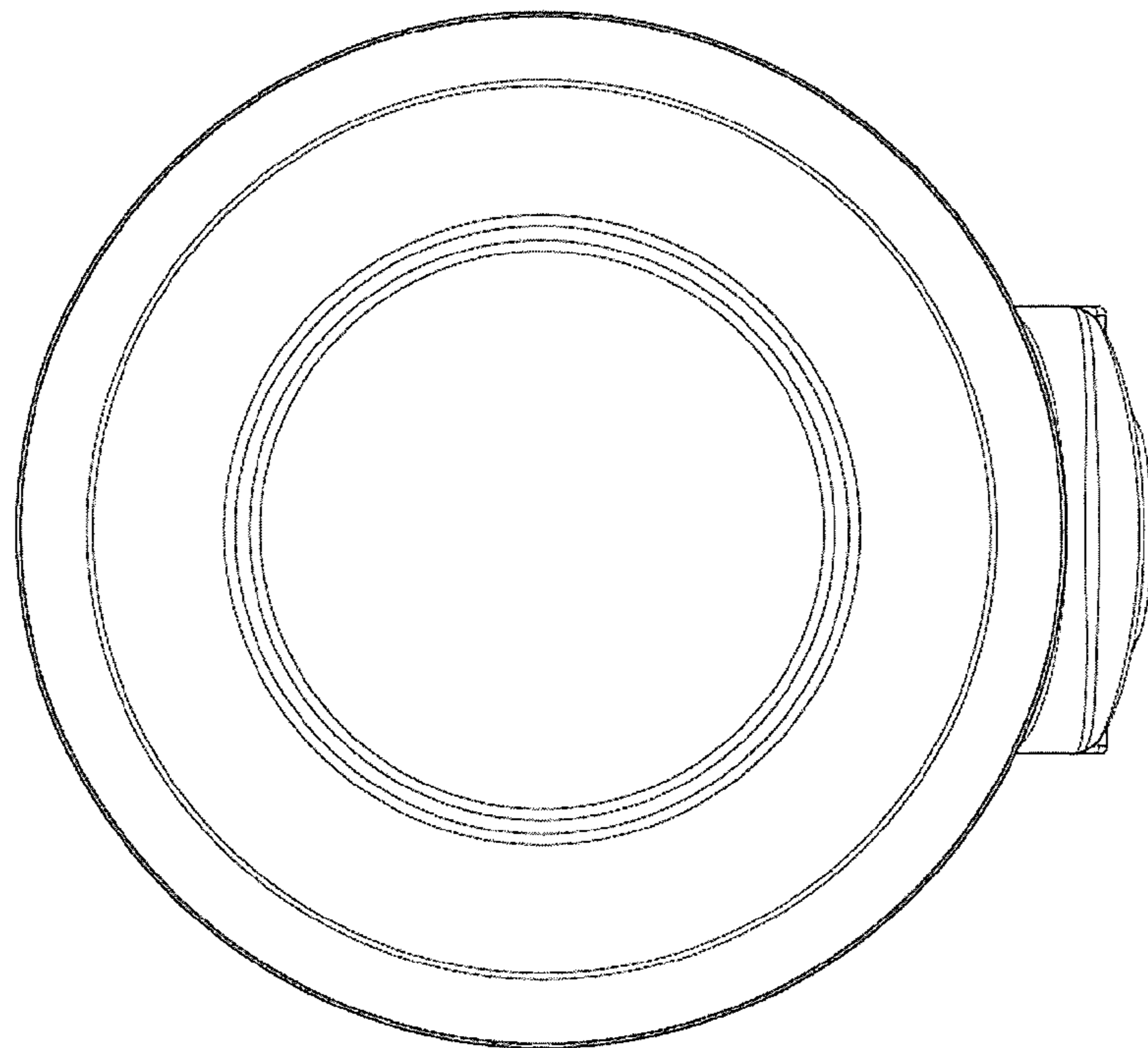


Figure 7