

US00D695068S

(12) **United States Design Patent**
Strobel

(10) **Patent No.:** **US D695,068 S**

(45) **Date of Patent:** **** Dec. 10, 2013**

- (54) **BEVERAGE CONTAINER**
- (75) Inventor: **Scott G. Strobel**, Plymouth, CT (US)
- (73) Assignee: **Progressive Specialty Glass Co. Inc.**, Plainville, CT (US)
- (**) Term: **14 Years**
- (21) Appl. No.: **29/413,448**
- (22) Filed: **Feb. 15, 2012**
- (51) **LOC (9) Cl.** **07-01**
- (52) **U.S. Cl.**
USPC **D7/510; D7/515; D7/511; D7/537**
- (58) **Field of Classification Search**
USPC D7/533, 536, 509, 514, 515, 527, 528, D7/510, 511, 537; 215/386, 378, 377, 43; 220/705, 592.16, 592.17, 710.5, 703, 220/23.86, 630; 206/515; 426/23.86, 630
See application file for complete search history.

7,543,717	B2 *	6/2009	Hinkle	220/508
D614,280	S *	4/2010	Dyson et al.	D23/370
7,931,449	B2 *	4/2011	Fitton et al.	417/84
8,128,245	B2 *	3/2012	Limjoco	359/872
D675,874	S *	2/2013	Citrin	D7/514
2009/0060710	A1 *	3/2009	Gammack et al.	415/90
2010/0226754	A1 *	9/2010	Hutton et al.	415/90

* cited by examiner

Primary Examiner — Marianne Pandozzi
(74) *Attorney, Agent, or Firm* — McCormick, Paulding & Huber LLP

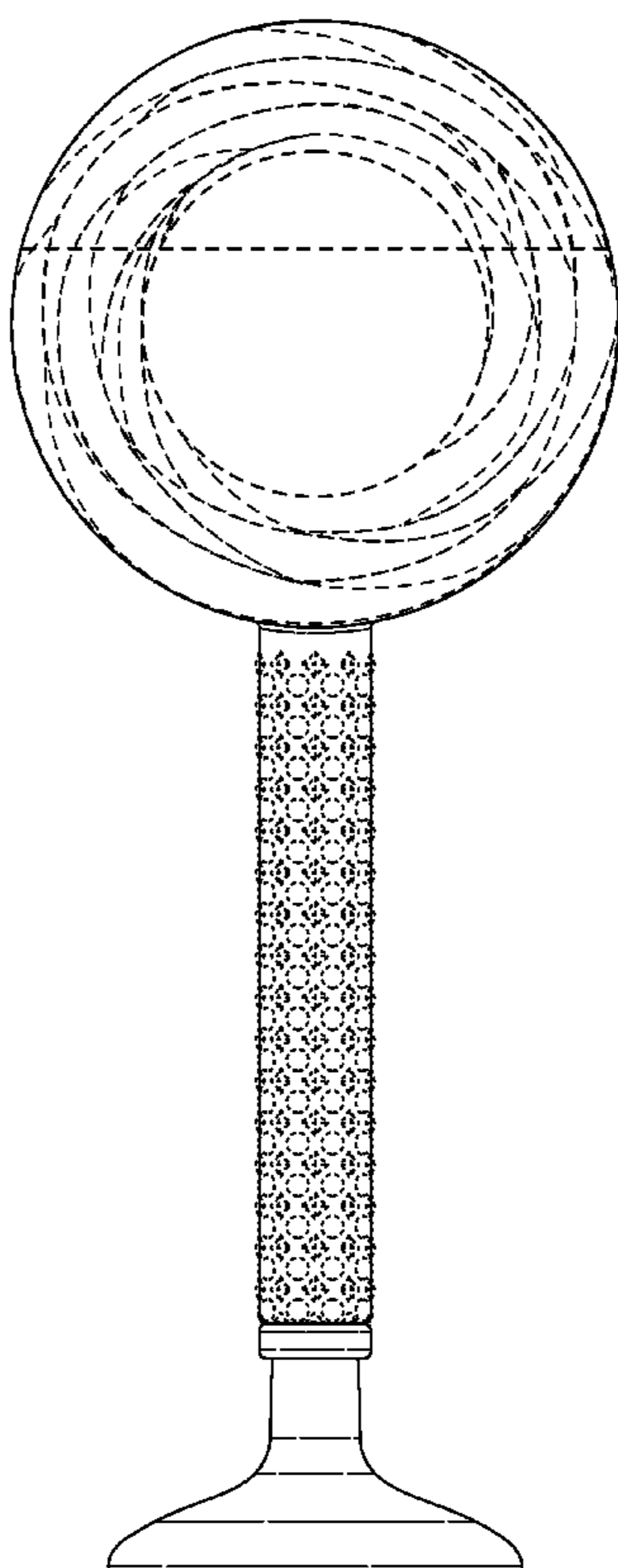
(57) **CLAIM**
The ornamental design for a beverage container, substantially as shown and described.

DESCRIPTION

FIG. 1 is a front view of a beverage container comprising a new, original and ornamental design with the rear view being a mirror image thereof;
FIG. 2 is a right-hand side view of the beverage container comprising the new, original and ornamental design with the left-hand side view being a mirror image thereof;
FIG. 3 is a top view of the beverage container comprising the new, original and ornamental design; and,
FIG. 4 is a bottom view of the beverage container comprising the new, original and ornamental design.
The broken lines shown in the drawings illustrate unclaimed portions of the article and form no part of the claimed design.

1 Claim, 3 Drawing Sheets

- (56) **References Cited**
U.S. PATENT DOCUMENTS
2,488,467 A * 11/1949 De Lisio Salvatore 239/561
D254,946 S * 5/1980 Tayebi D7/528
D355,812 S * 2/1995 DuBow D7/527
D545,005 S * 6/2007 Nysten et al. D30/125
D566,574 S * 4/2008 Ayinde D9/600
D592,457 S * 5/2009 Mansfield D7/523



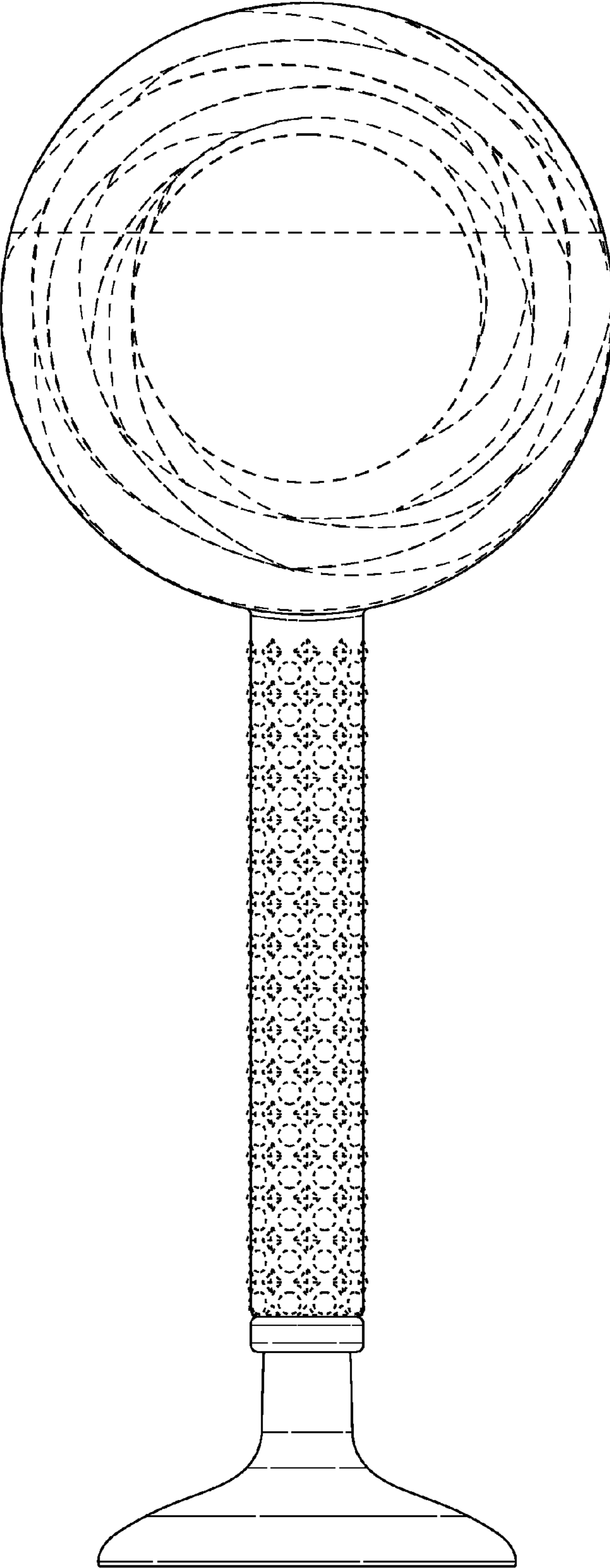


FIG. 1

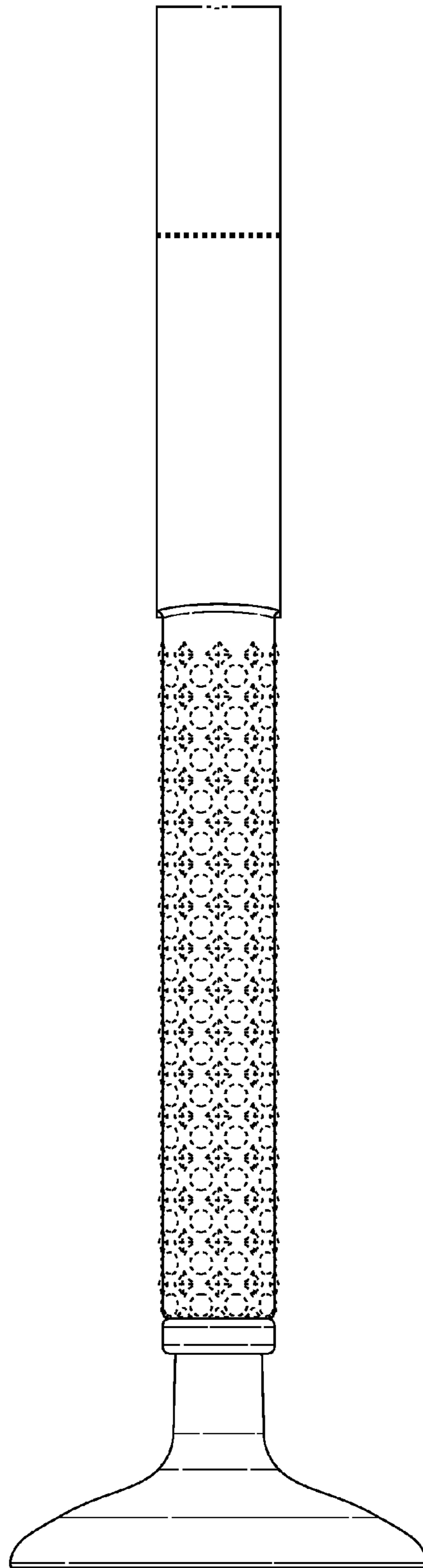


FIG. 2

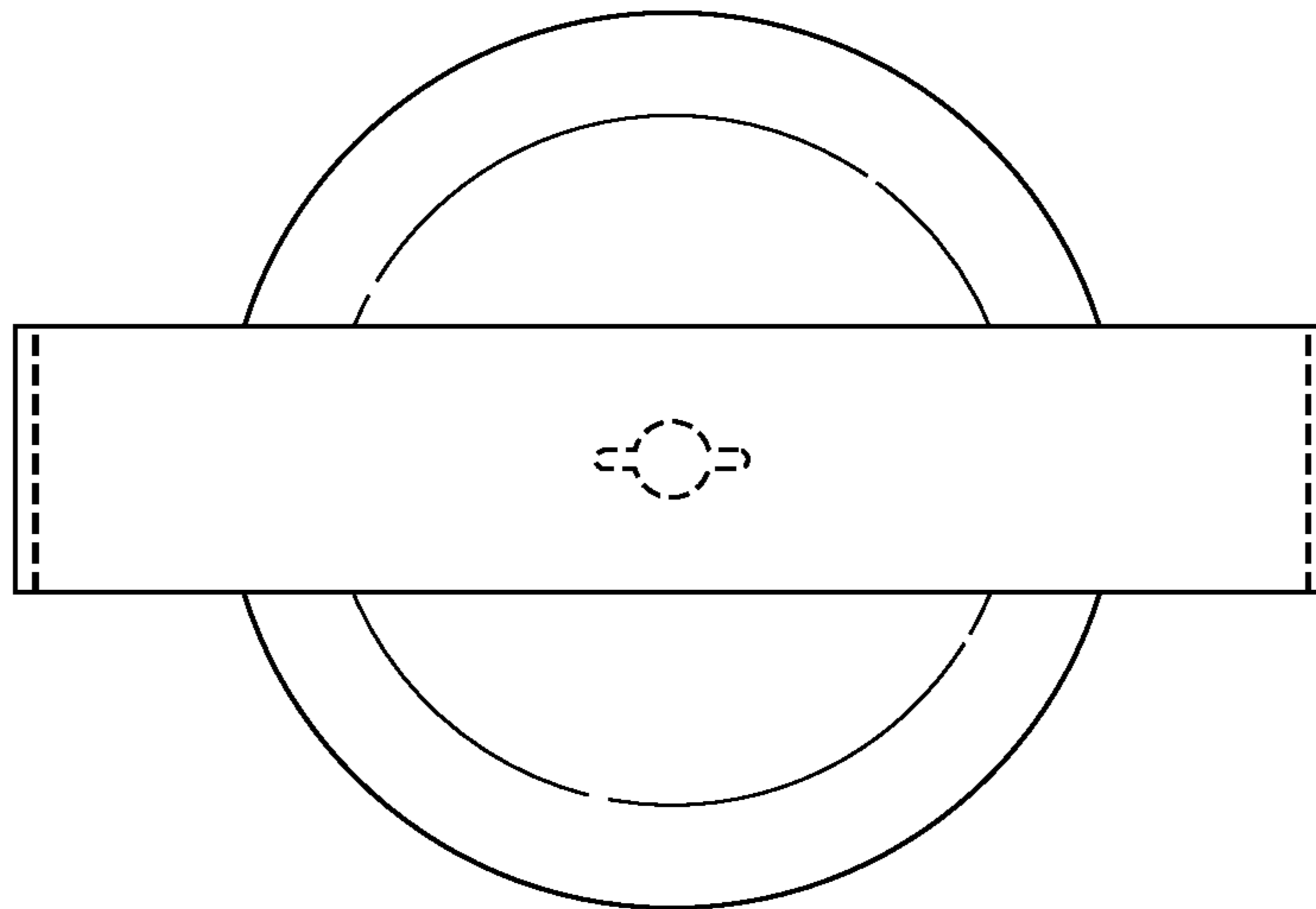


FIG. 3

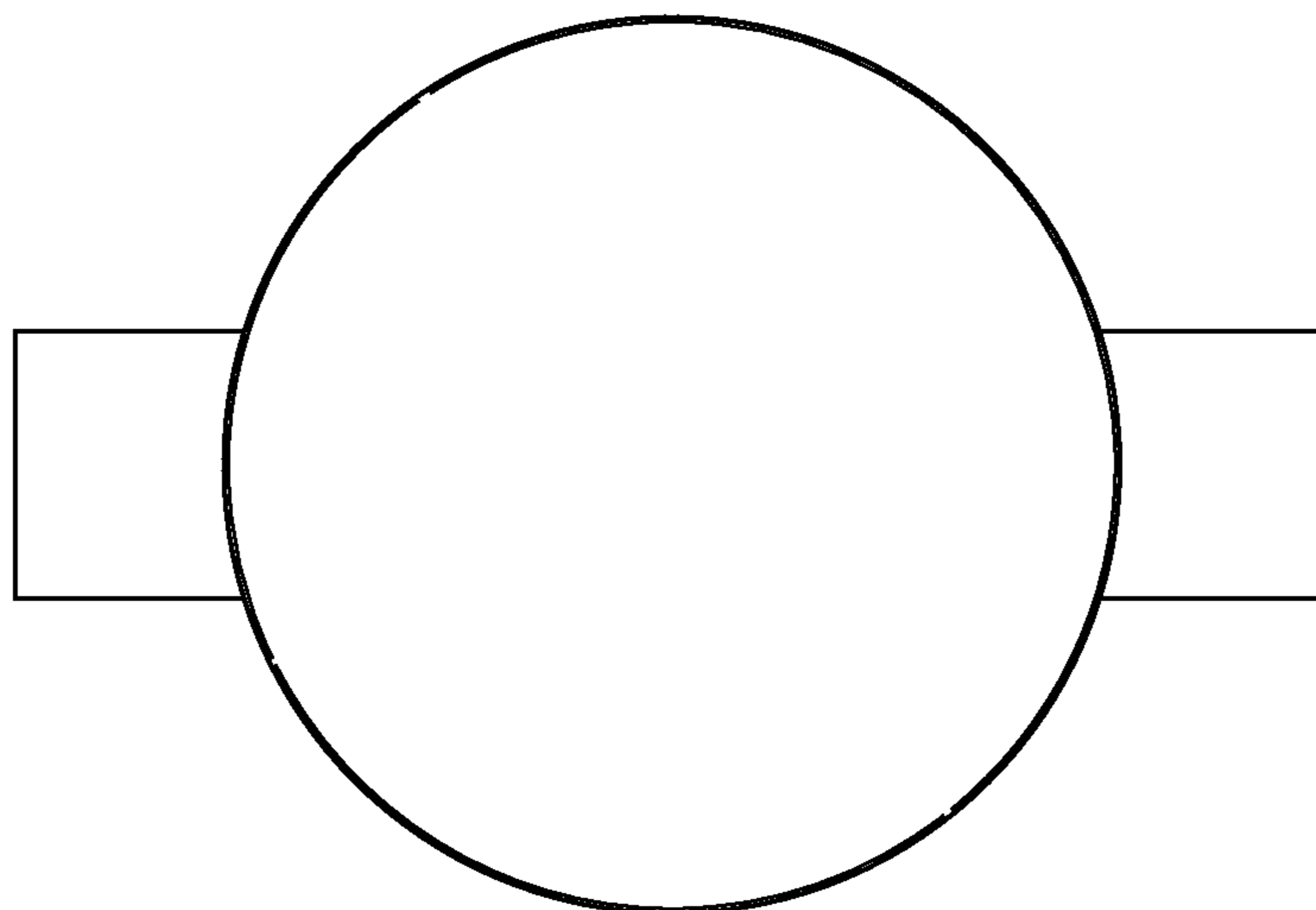


FIG. 4