



US00D695065S

(12) **United States Design Patent**
Seymour et al.

(10) **Patent No.:** **US D695,065 S**
(45) **Date of Patent:** **** Dec. 10, 2013**

- (54) **COFFEE BREWER**
- (71) Applicant: **National Presto Industries, Inc.**, Eau Claire, WI (US)
- (72) Inventors: **Justun C. Seymour**, Eau Claire, WI (US); **Michael R. Berge**, Eau Claire, WI (US); **Jeffery A. Morgan**, Chippewa Falls, WI (US)
- (73) Assignee: **National Presto Industries, Inc.**, Eau Claire, WI (US)

5,826,493 A	10/1998	Tien Lin	
5,880,441 A	3/1999	Hartman et al.	
5,942,143 A	8/1999	Hartman et al.	
5,943,946 A	8/1999	Chen	
6,327,965 B1	12/2001	Lin Tien	
6,561,080 B1	5/2003	Feeney	
7,032,507 B2	4/2006	Cai	
D557,977 S *	12/2007	Neace et al. D7/399
7,412,921 B2	8/2008	Hu et al.	
D606,805 S *	12/2009	Neace et al. D7/399
D611,754 S *	3/2010	Bodum D7/318
7,673,555 B2	3/2010	Nosler et al.	
2012/0260806 A1	10/2012	Rolfes et al.	

- (**) Term: **14 Years**
- (21) Appl. No.: **29/446,104**
- (22) Filed: **Feb. 20, 2013**
- (51) **LOC (9) Cl.** **07-99**
- (52) **U.S. Cl.**
USPC **D7/399; D7/300; D7/309**
- (58) **Field of Classification Search**
USPC D7/300, 309-311, 306, 316, 399, 401;
99/292, 317, 323, 310, 290
See application file for complete search history.

OTHER PUBLICATIONS

“How the Clover Coffee Maker Works,” <http://electronics.howstuffworks.com/gadgets/kitchen/clover-coffee-maker.htm/printable>, printed Mar. 15, 2010, 8 pages.

* cited by examiner

Primary Examiner — Marianne Pandozzi
(74) *Attorney, Agent, or Firm* — Patterson Thunte Pedersen, P.A.

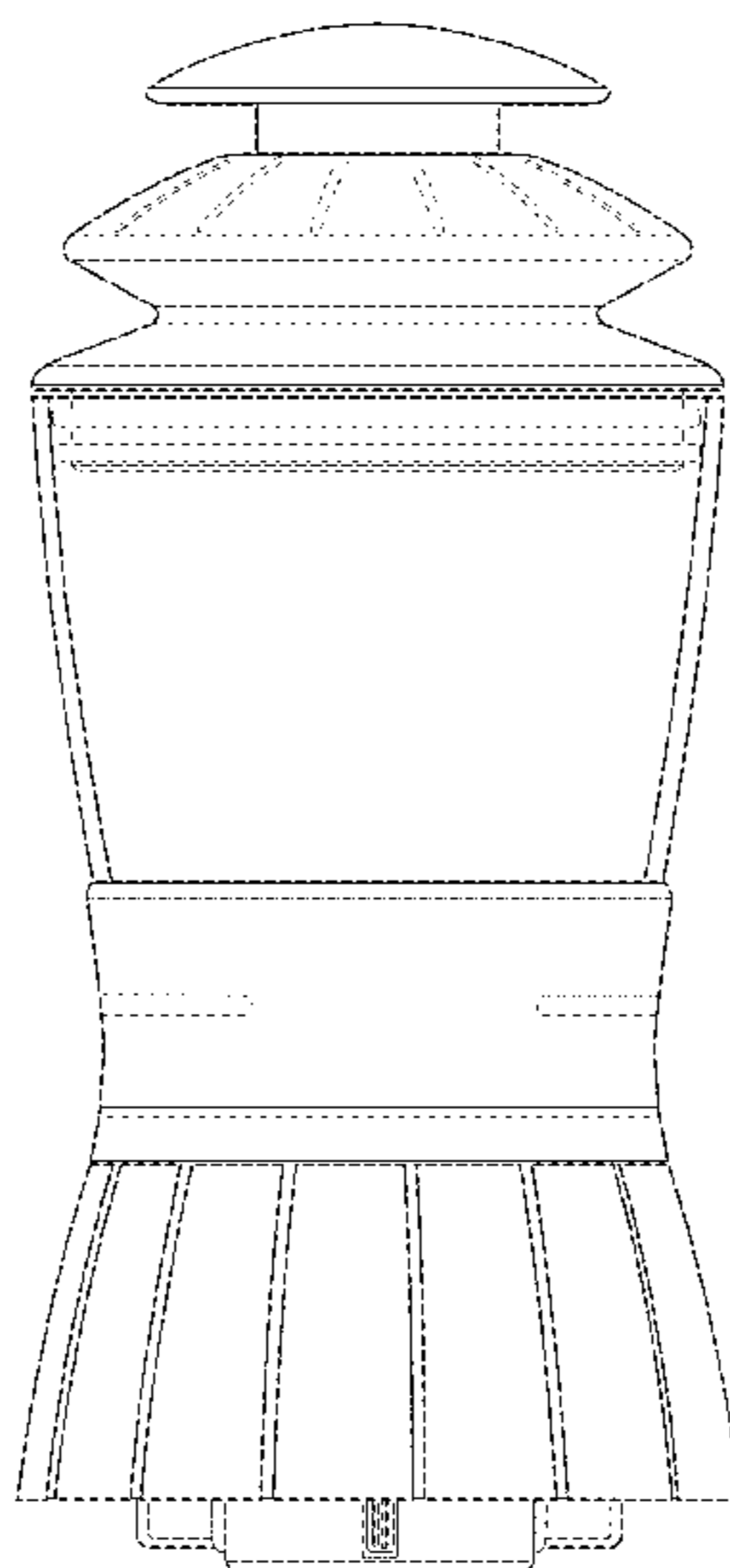
(57) **CLAIM**
We claim the ornamental design for coffee brewer, as shown and described.

- (56) **References Cited**
U.S. PATENT DOCUMENTS
- | | | | | |
|---------------|---------|-----------------|-------|--------|
| D43,792 S * | 4/1913 | Swan | | D7/310 |
| D65,078 S * | 7/1924 | Pressley | | D7/310 |
| D91,707 S * | 3/1934 | De Liso | | D2/930 |
| D132,428 S * | 5/1942 | Karstadt | | D7/310 |
| D139,219 S * | 10/1944 | Wolcott | | D7/310 |
| D157,588 S * | 3/1950 | Gunther | | D7/313 |
| D191,590 S * | 10/1961 | Schlumbohm | | D7/312 |
| D196,807 S * | 11/1963 | Carveth | | D6/518 |
| D204,786 S * | 5/1966 | Rawald | | D7/310 |
| 4,174,659 A * | 11/1979 | Pugliese et al. | | 99/306 |
| 4,211,156 A | 7/1980 | Zimmermann | | |
| 4,306,492 A | 12/1981 | Zimmermann | | |
| 4,759,275 A * | 7/1988 | Lee | | 99/317 |
| 4,806,369 A | 2/1989 | Thompson | | |

DESCRIPTION

FIG. 1 is a front view of a coffee brewer showing our new design;
FIG. 2 is a rear view thereof;
FIG. 3 is a left side view thereof;
FIG. 4 is a right side view thereof;
FIG. 5 is a top plan view thereof;
FIG. 6 is a bottom plan view thereof;
FIG. 7 is a front perspective view thereof; and,
FIG. 8 is an exploded front perspective view thereof.
Items shown in broken lines are for illustrative purposes only and form no part of the claimed invention.

1 Claim, 8 Drawing Sheets



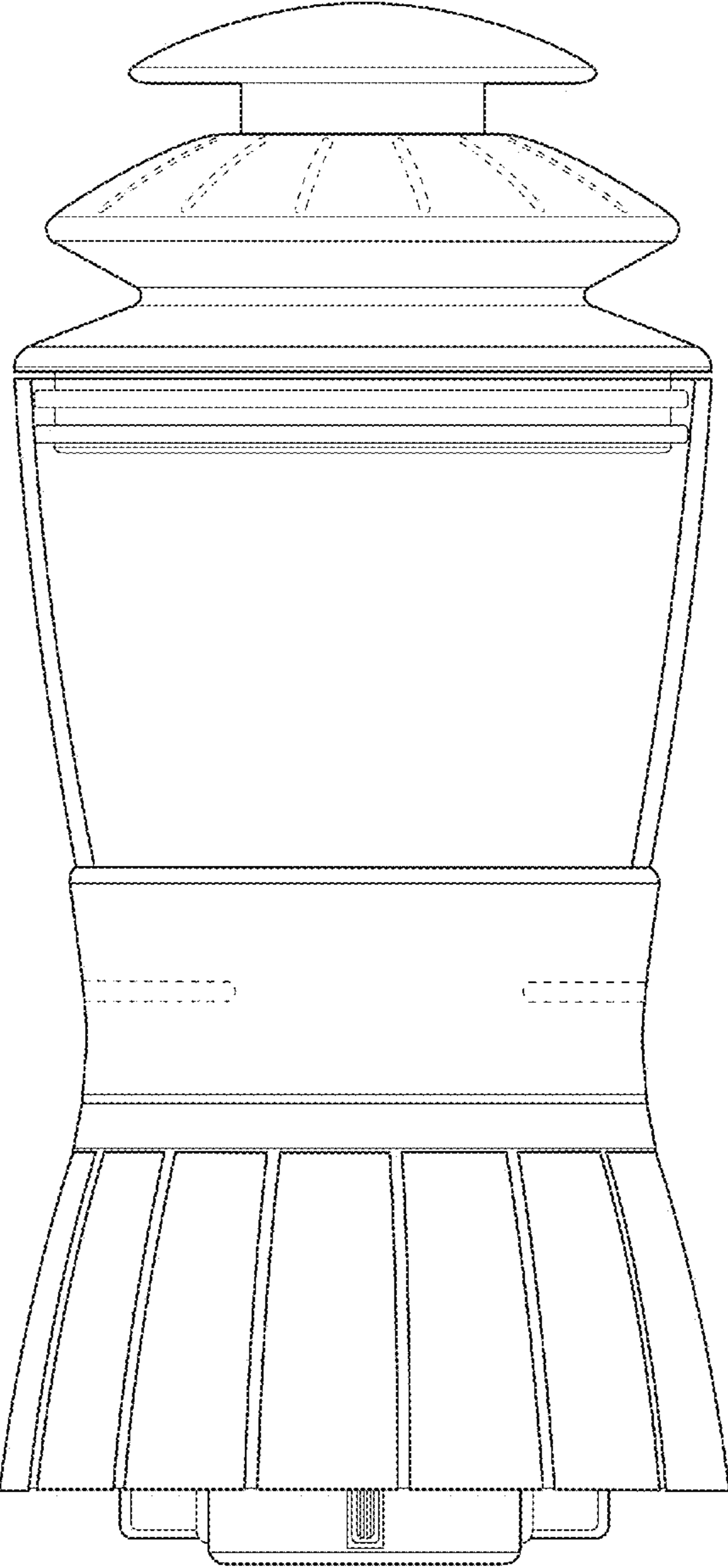


FIG 1

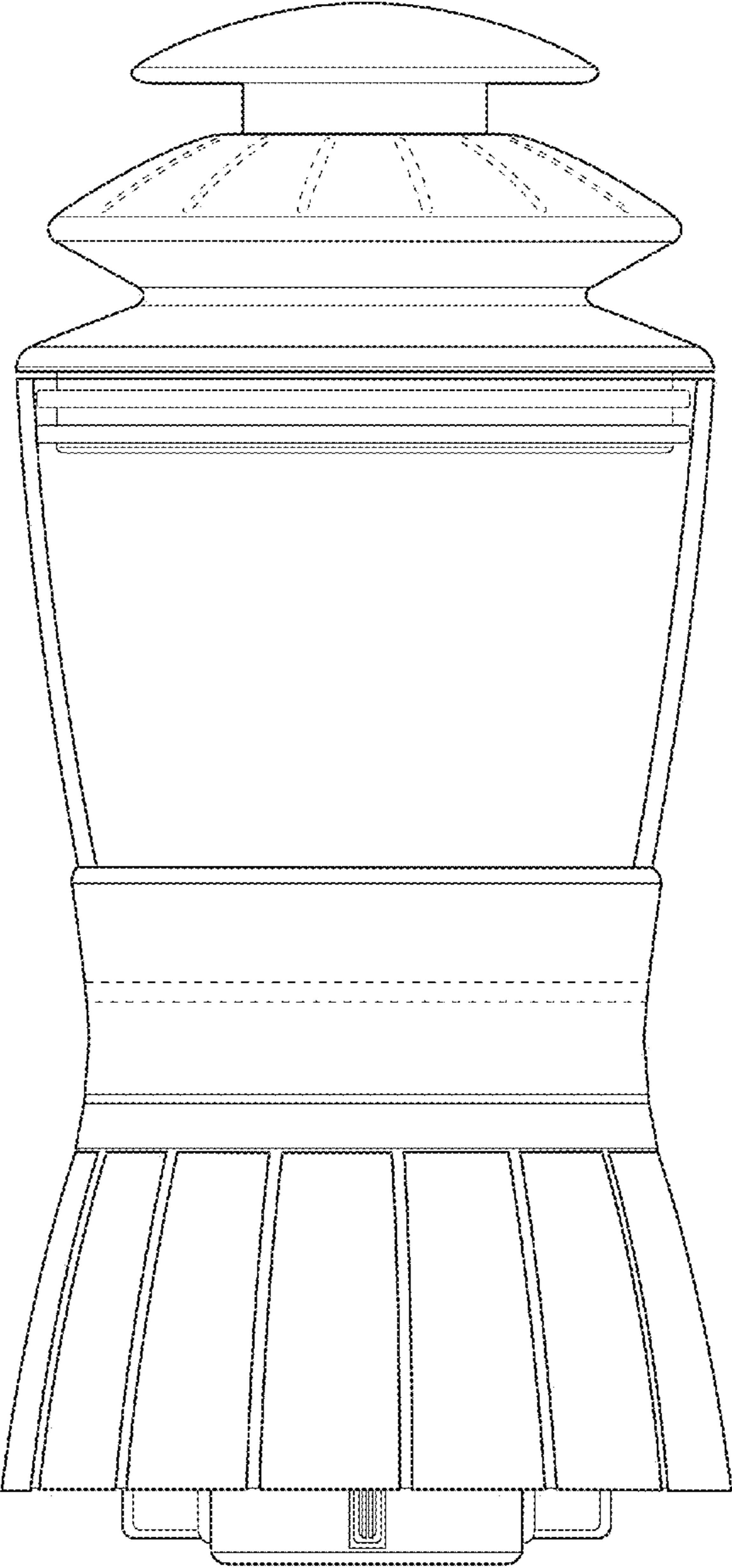


FIG 2

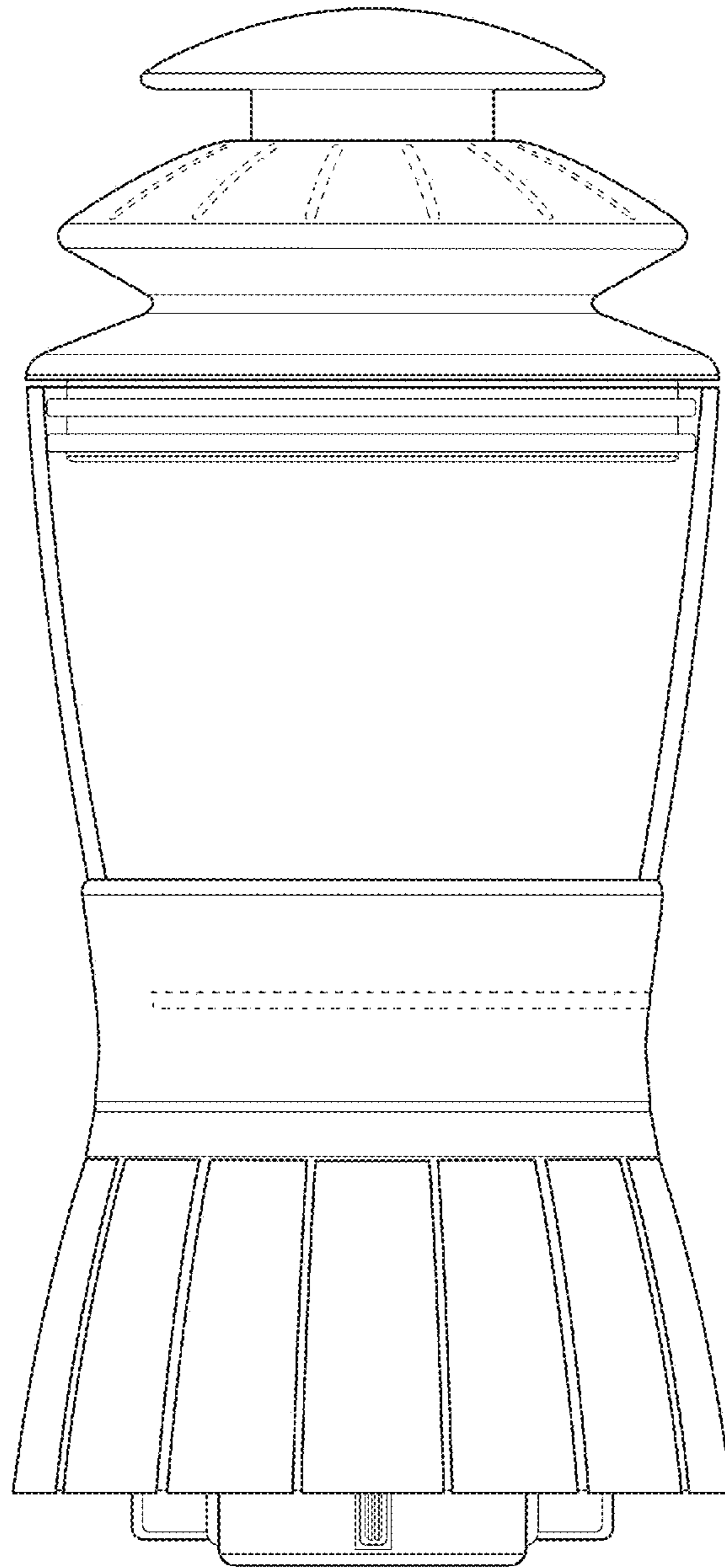


FIG 3

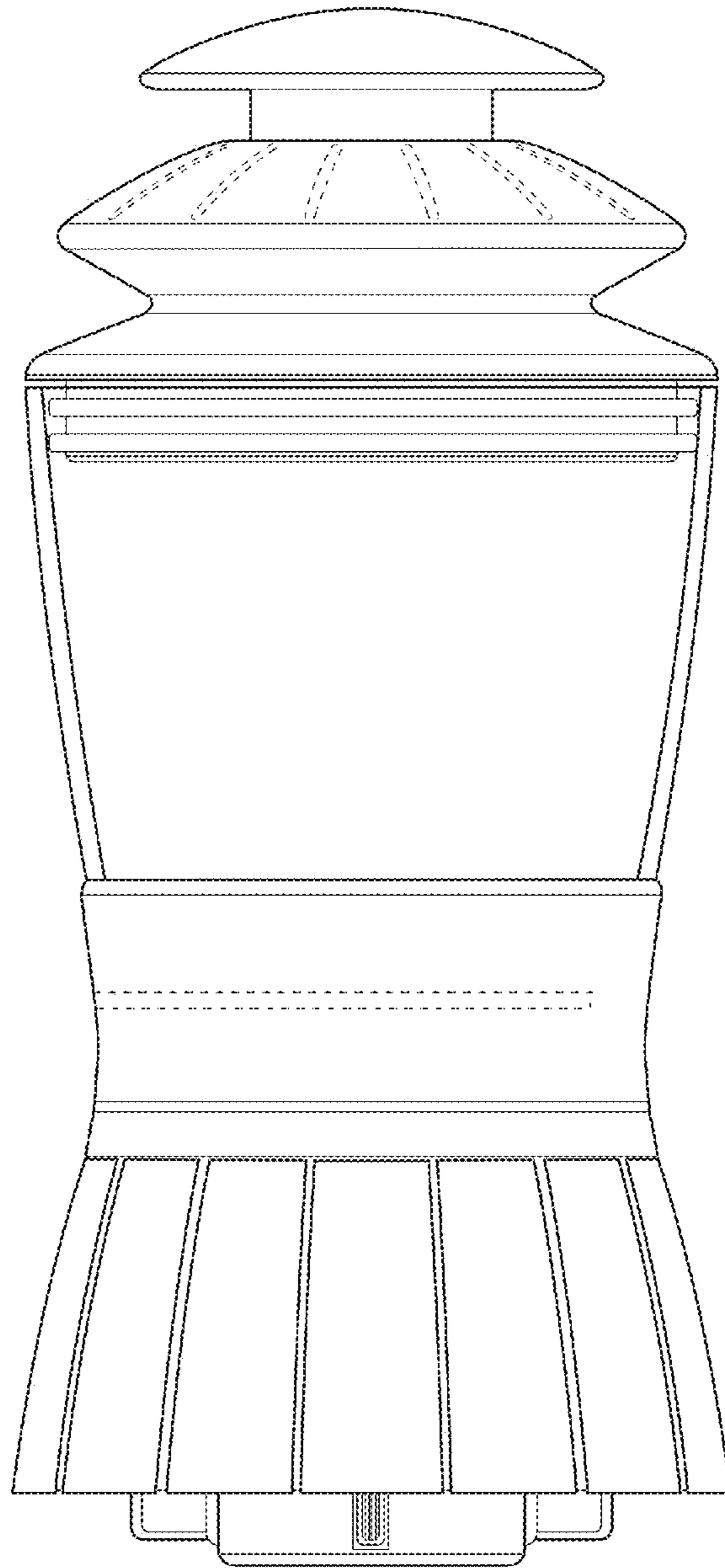


FIG 4

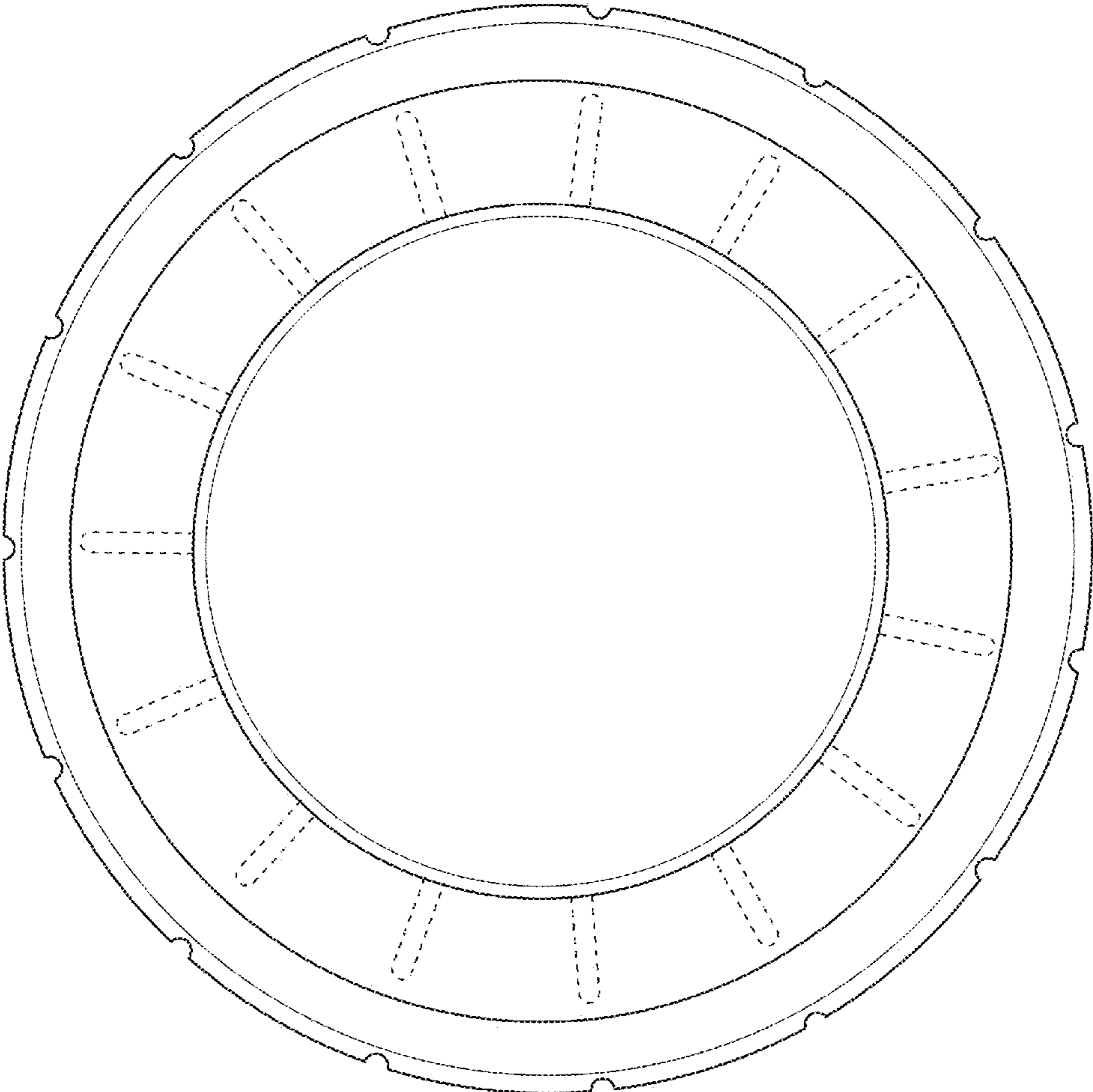


FIG 5

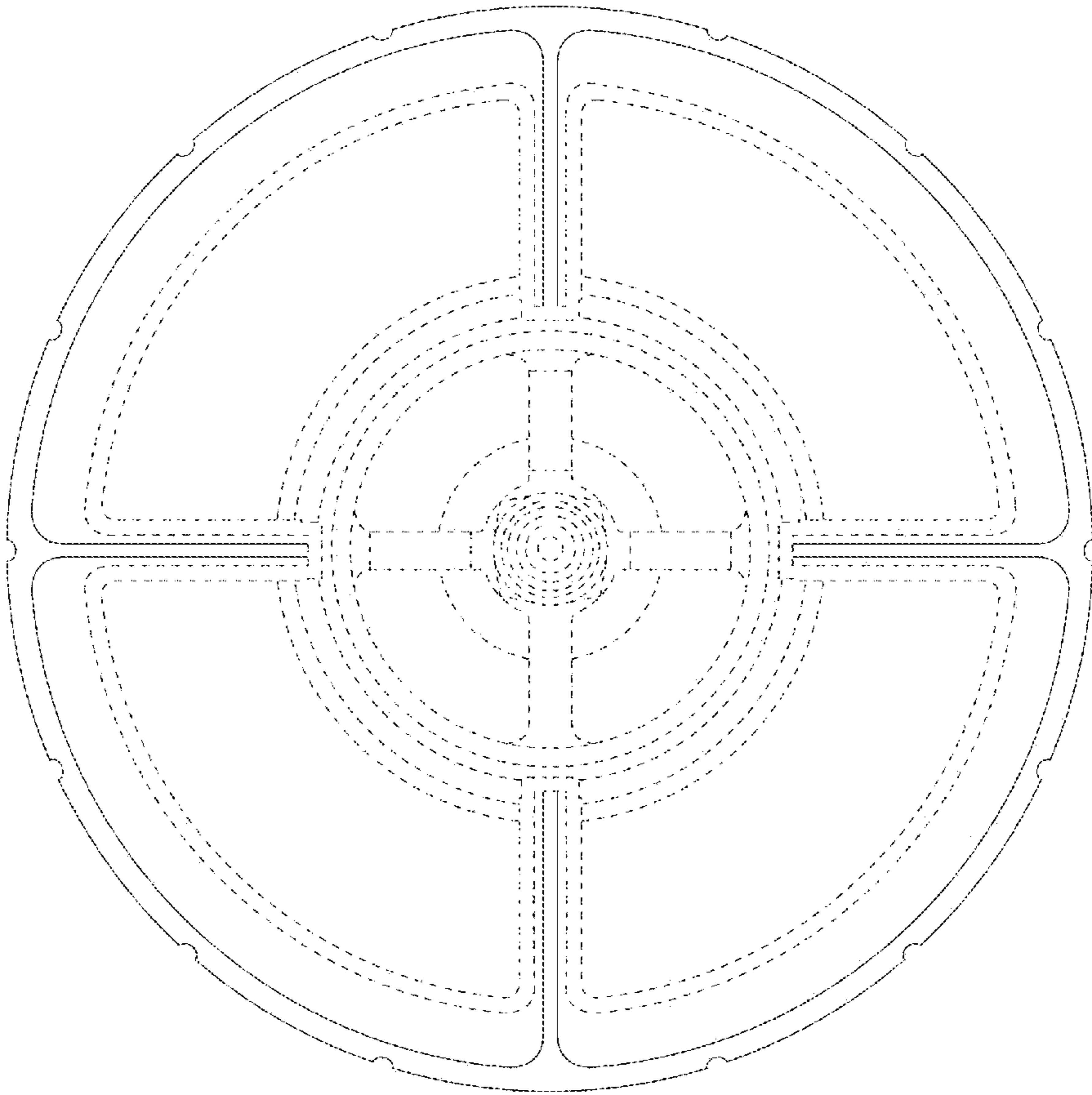


FIG 6

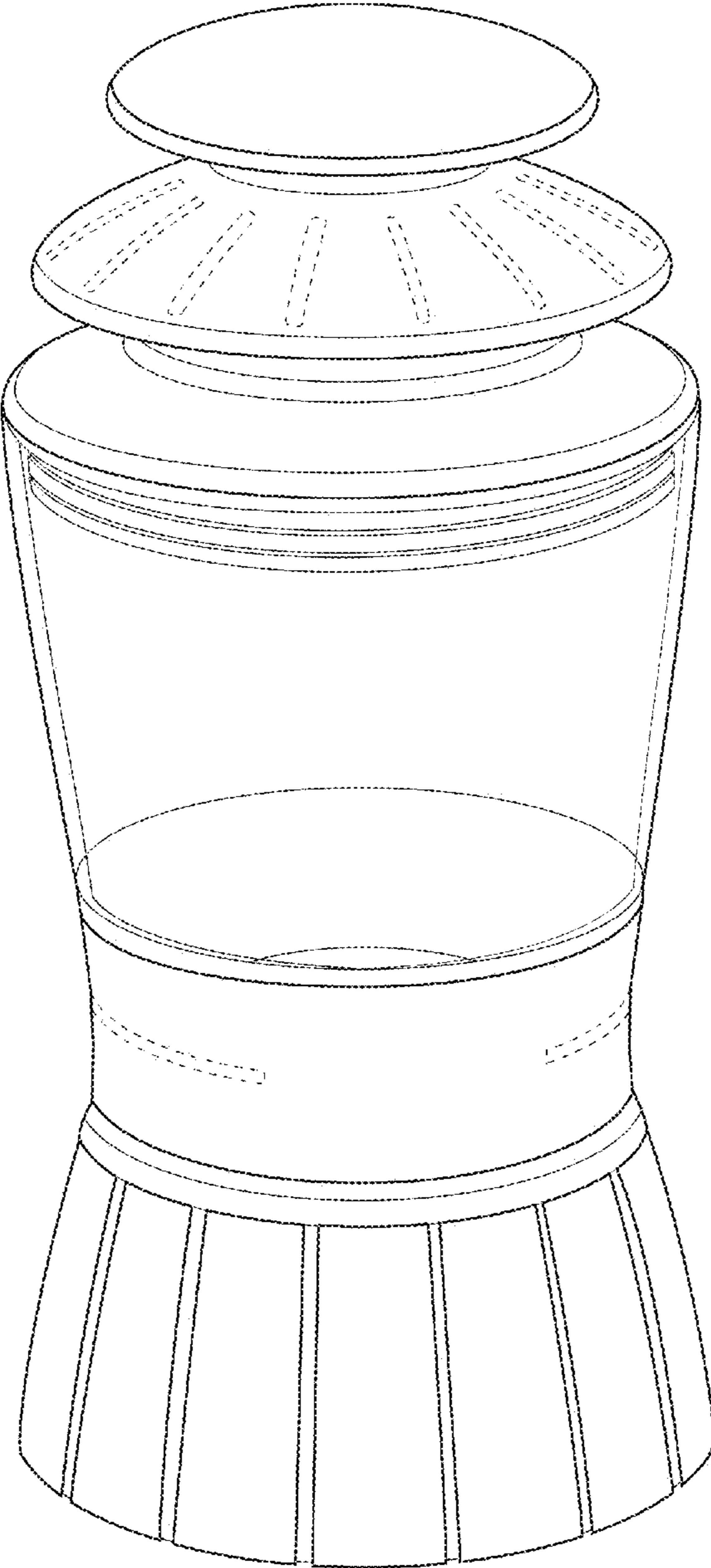


FIG 7

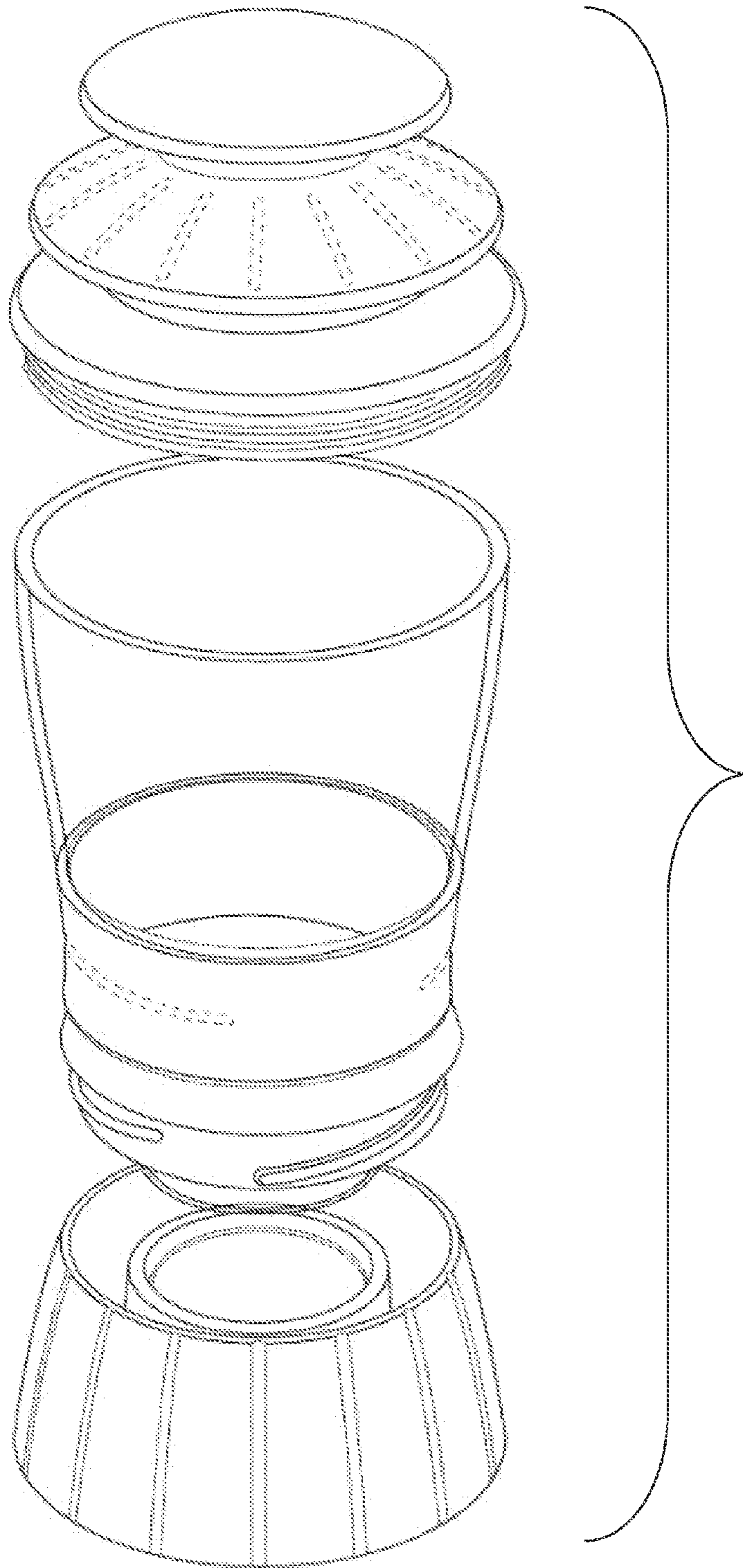


FIG 8