

US00D695064S

(12) **United States Design Patent**  
**Seymour et al.**

(10) **Patent No.:** **US D695,064 S**  
(45) **Date of Patent:** **\*\* Dec. 10, 2013**

- (54) **COFFEE BREWER**
- (71) Applicant: **National Presto Industries, Inc.**, Eau Claire, WI (US)
- (72) Inventors: **Justun C. Seymour**, Eau Claire, WI (US); **Michael R. Berge**, Eau Claire, WI (US)
- (73) Assignee: **National Presto Industries, Inc.**, Eau Claire, WI (US)

5,880,441	A	3/1999	Hartman et al.	
5,942,143	A	8/1999	Hartman et al.	
5,943,946	A	8/1999	Chen	
6,327,965	B1	12/2001	Lin Tien	
6,561,080	B1	5/2003	Feeney	
7,032,507	B2	4/2006	Cai	
D557,977	S *	12/2007	Neace et al.	D7/399
7,412,921	B2	8/2008	Hu et al.	
D606,805	S *	12/2009	Neace et al.	D7/399
D611,754	S *	3/2010	Bodum	D7/318
7,673,555	B2	3/2010	Nosler et al.	
2012/0260806	A1	10/2012	Rolfes et al.	

(\*\*) Term: **14 Years**

(21) Appl. No.: **29/439,451**

(22) Filed: **Dec. 11, 2012**

(51) **LOC (9) Cl.** ..... **07-99**

(52) **U.S. Cl.**  
USPC ..... **D7/399; D7/300; D7/309**

(58) **Field of Classification Search**  
USPC ..... **D7/300, 309-311, 306, 316, 399, 401; 99/292, 317, 323, 310, 290**

See application file for complete search history.

(56) **References Cited**

**U.S. PATENT DOCUMENTS**

D43,792	S *	4/1913	Swan	D7/310
D65,078	S *	7/1924	Pressley	D7/310
D91,707	S *	3/1934	De Liso	D2/930
D132,428	S *	5/1942	Karstadt	D7/310
D139,219	S *	10/1944	Wolcott	D7/310
D157,588	S *	3/1950	Gunther	D7/313
D191,590	S *	10/1961	Schlumbohm	D7/312
D196,807	S *	11/1963	Carveth	D6/518
D204,786	S *	5/1966	Rawald	D7/310
4,174,659	A *	11/1979	Pugliese et al.	99/306
4,211,156	A	7/1980	Zimmermann	
4,306,492	A	12/1981	Zimmermann	
4,759,275	A *	7/1988	Lee	99/317
4,806,369	A	2/1989	Thompson	
5,826,493	A	10/1998	Tien Lin	

**OTHER PUBLICATIONS**

“How the Clover Coffee Maker Works,” <http://electronics.howstuffworks.com/gadgets/kitchen/clover-coffee-maker.htm/printable>, printed Mar. 15, 2010, 8 pages.

\* cited by examiner

*Primary Examiner* — Marianne Pandozzi

(74) *Attorney, Agent, or Firm* — Patterson Thunten Pedersen, P.A.

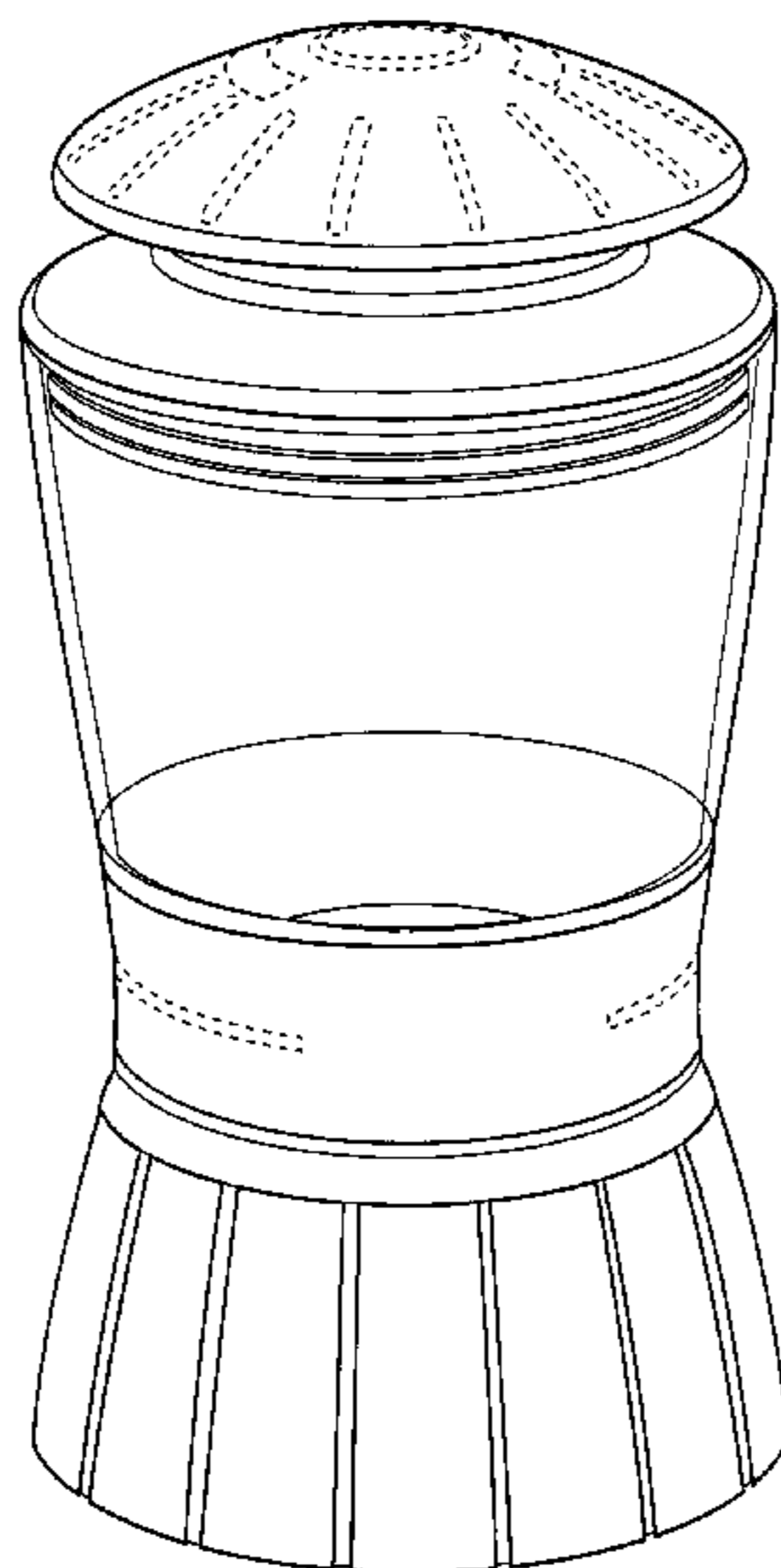
(57) **CLAIM**

We claim the ornamental design for coffee brewer, as shown and described.

**DESCRIPTION**

FIG. 1 is a front view of a coffee brewer showing our new design;  
FIG. 2 is a rear view thereof;  
FIG. 3 is a left side view thereof;  
FIG. 4 is a right side view thereof;  
FIG. 5 is a top plan view thereof;  
FIG. 6 is a bottom plan view thereof;  
FIG. 7 is a front perspective view thereof; and,  
FIG. 8 is an exploded front perspective view thereof.  
Items shown in broken lines are for illustrative purposes only and form no part of the claimed invention.

**1 Claim, 8 Drawing Sheets**



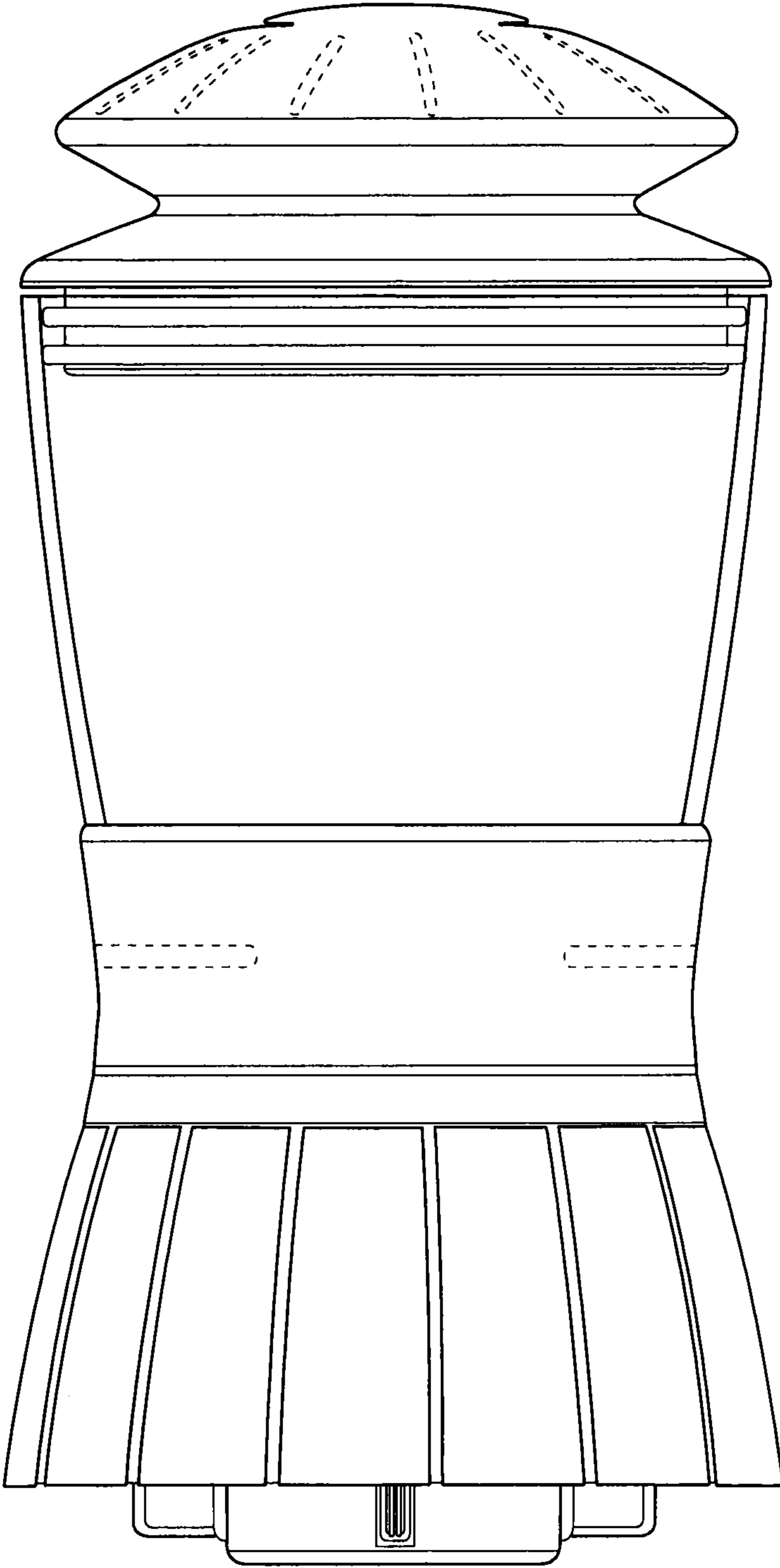


Fig. 1

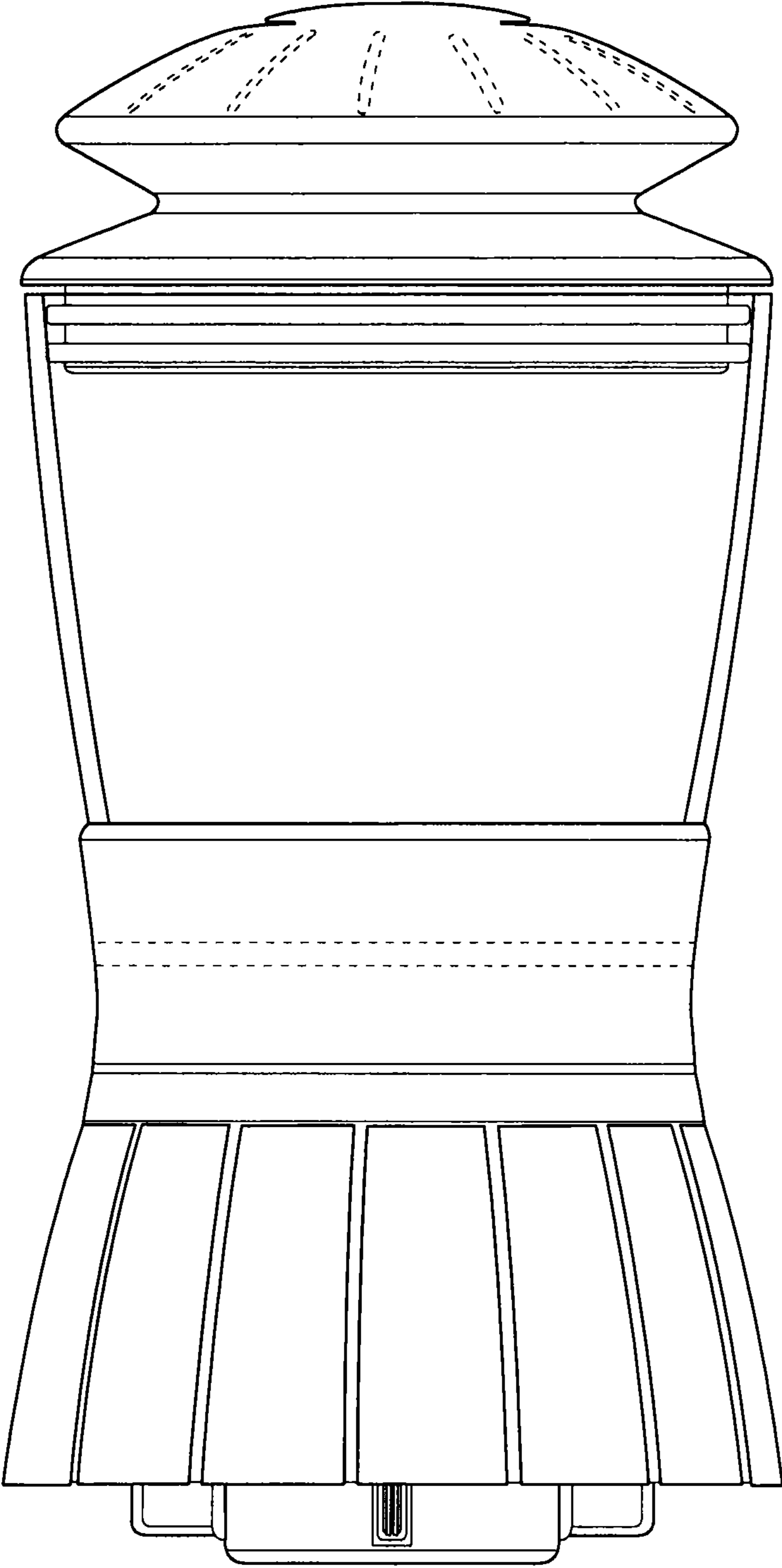


Fig. 2

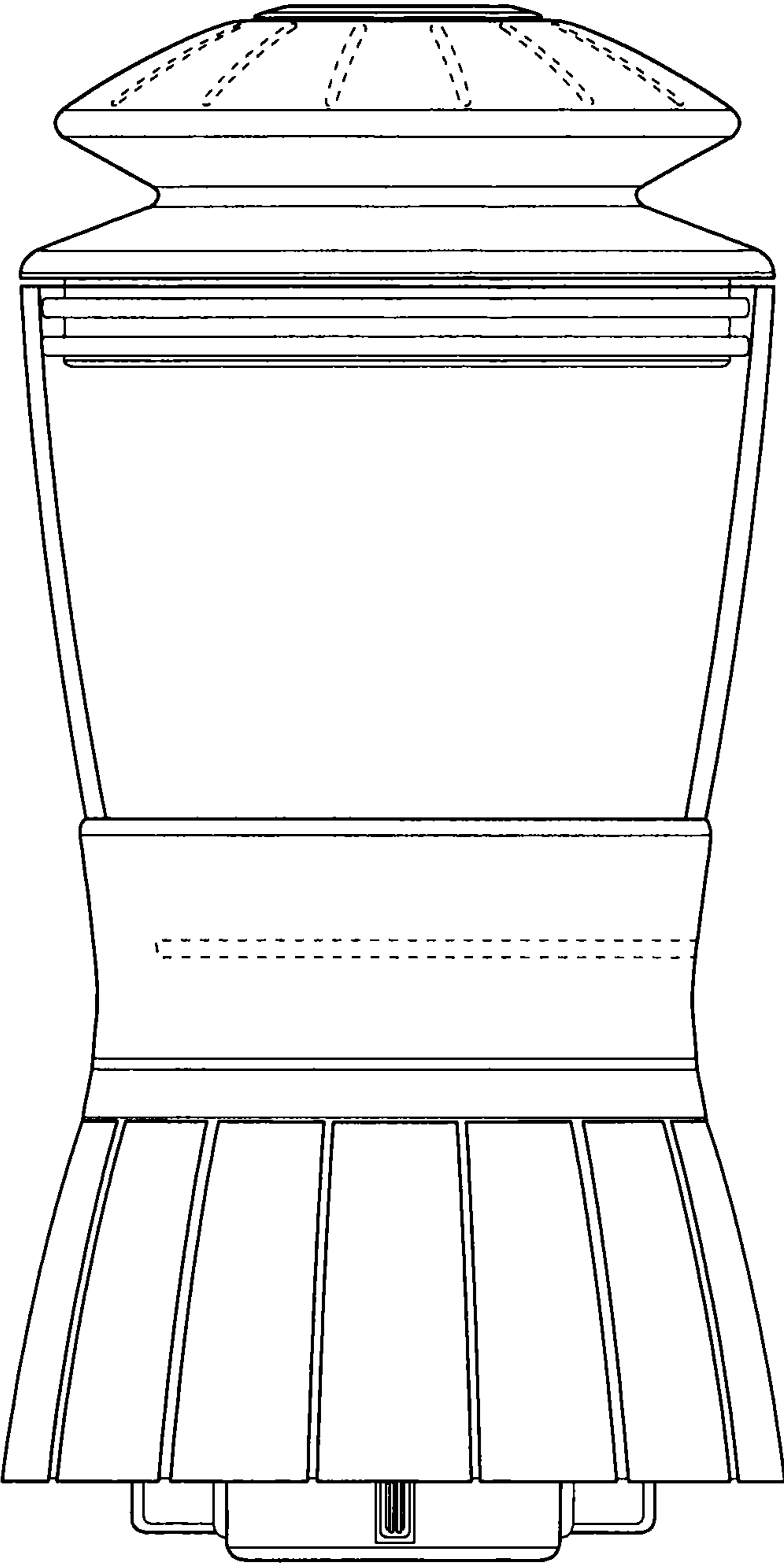


Fig. 3

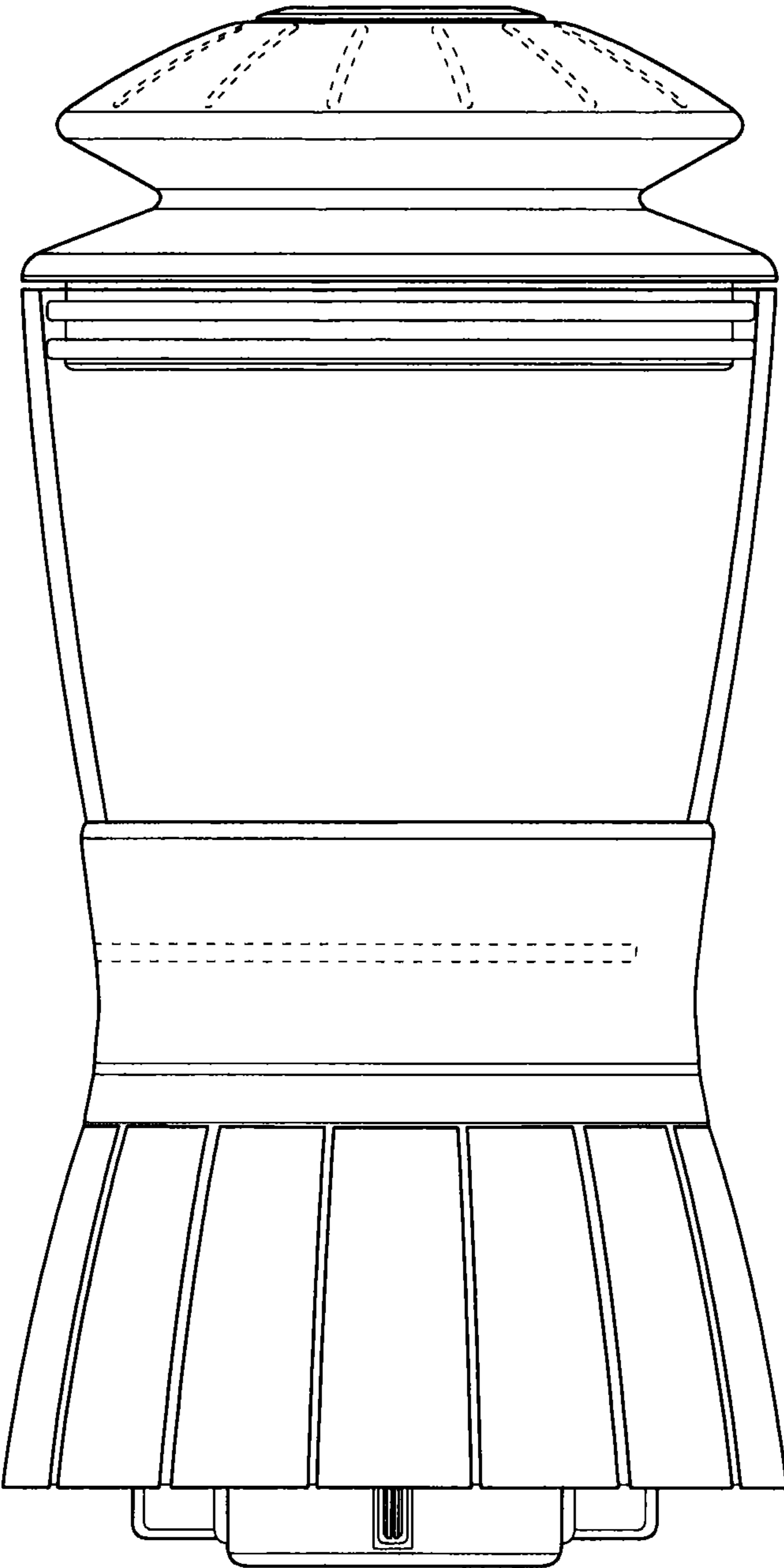


Fig. 4

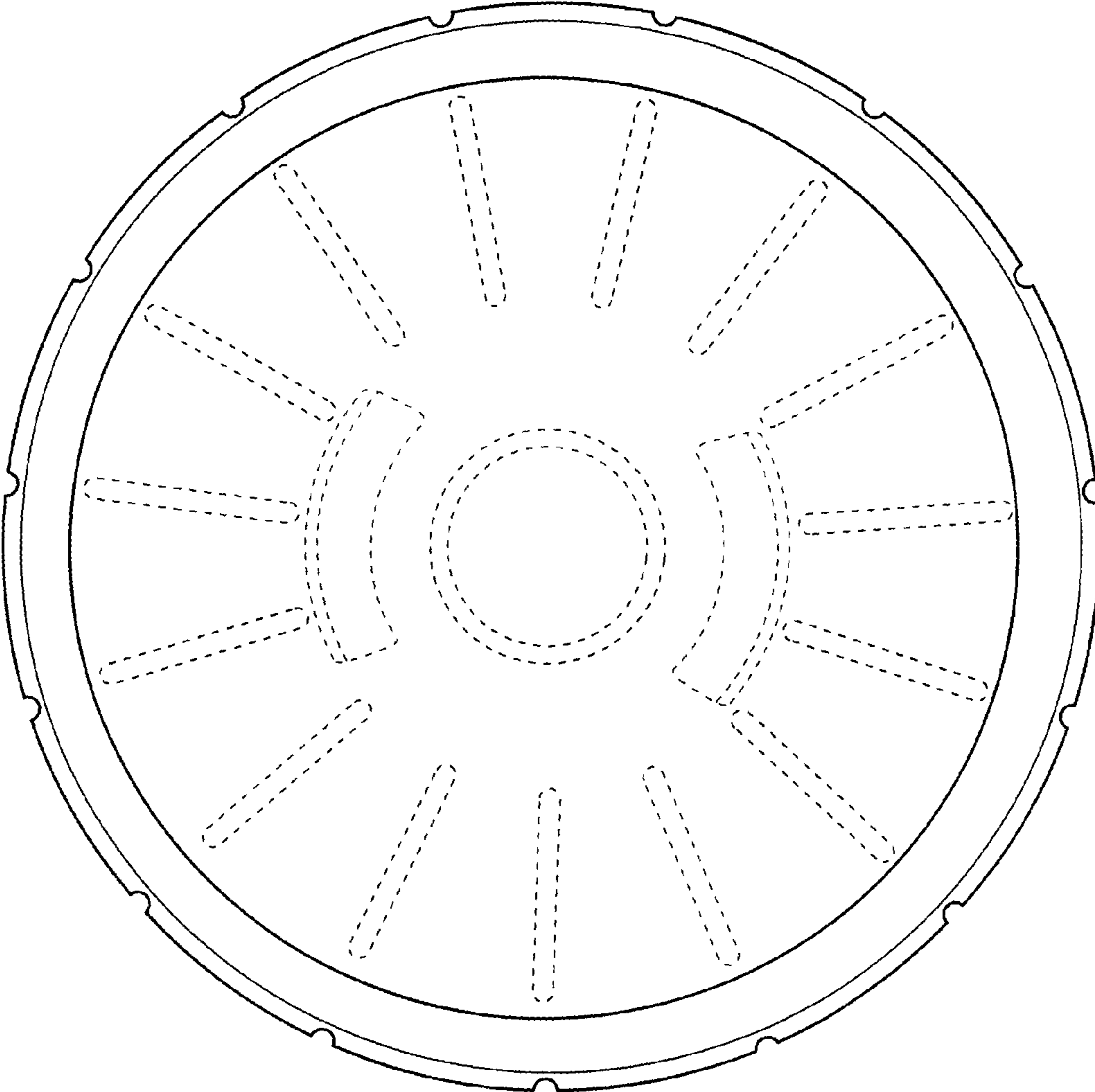


Fig. 5

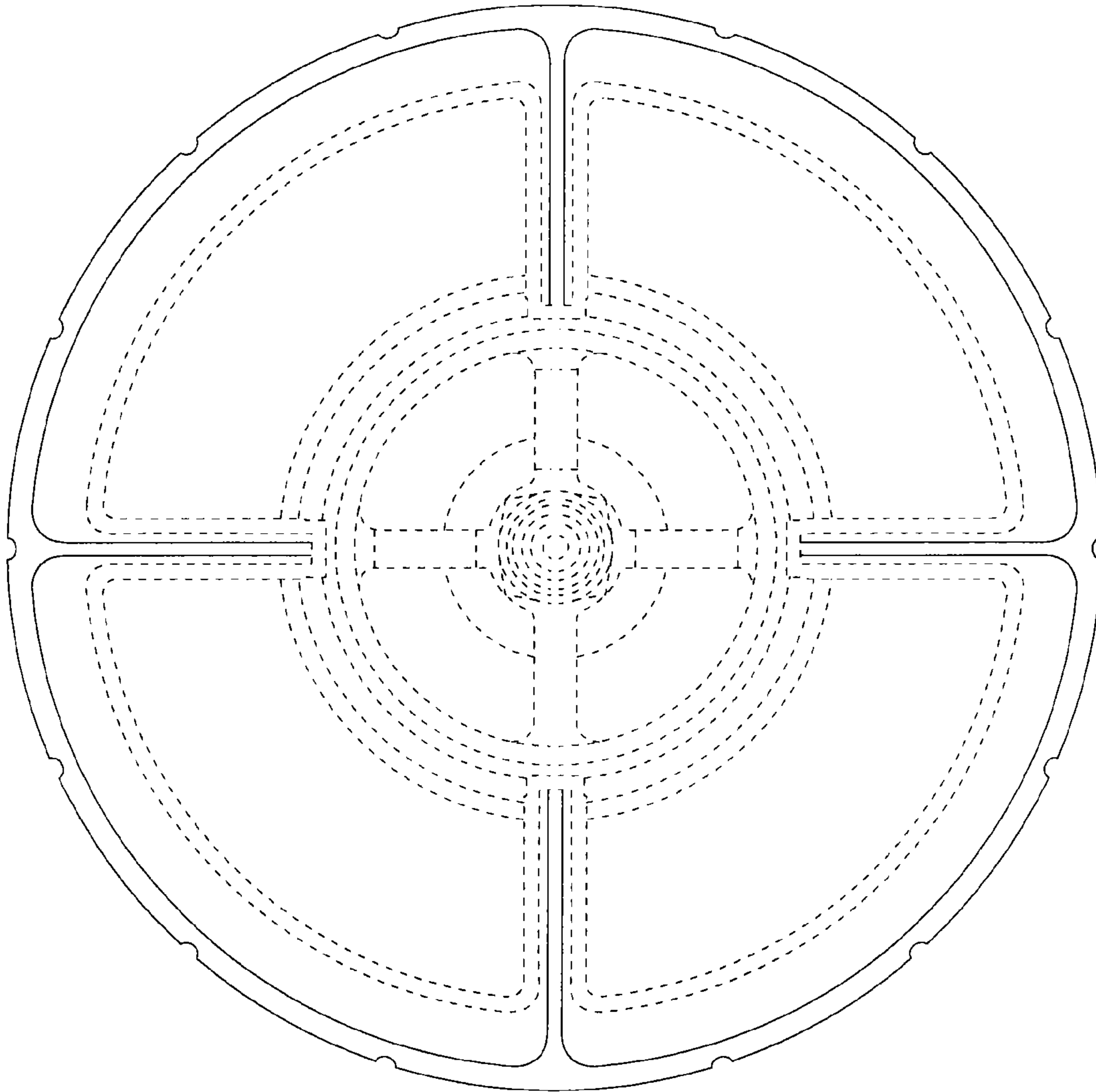


Fig. 6



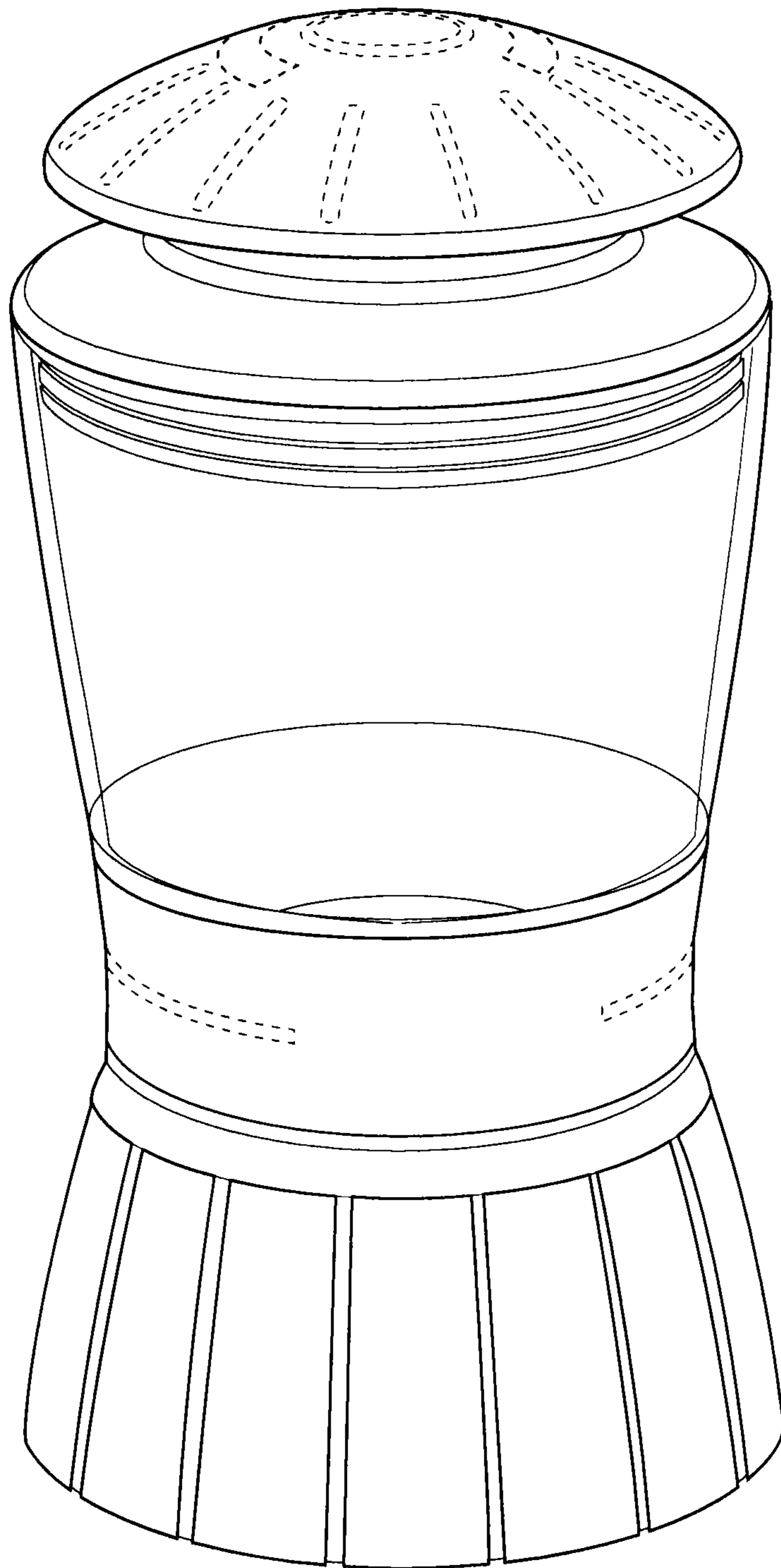


Fig. 7



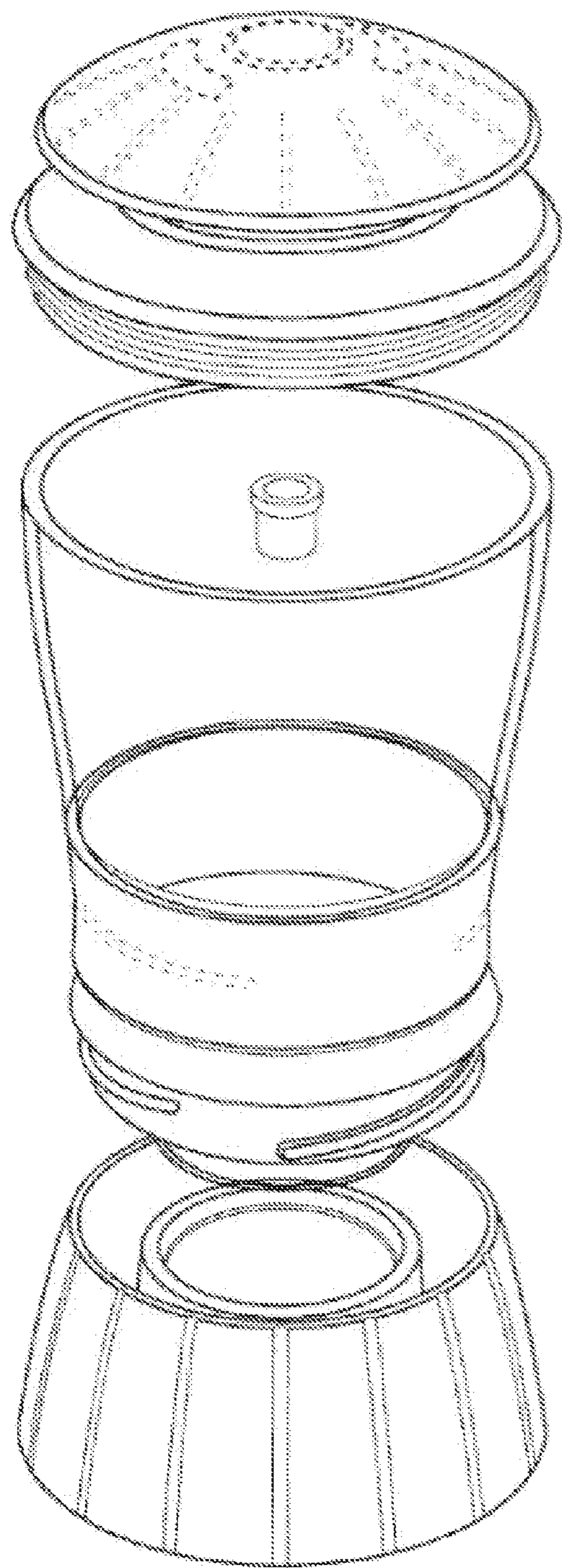


Fig. 8