



US00D695060S

(12) **United States Design Patent**  
**Penaherrera et al.**

(10) **Patent No.:** **US D695,060 S**

(45) **Date of Patent:** **\*\* Dec. 10, 2013**

(54) **BLENDER BASE**

(71) Applicant: **Sensio Inc.**, Montréal (CA)

(72) Inventors: **Alicia Penaherrera**, Montreal (CA);  
**Martin Gagnon**, Blainville (CA); **Shae Hong**, New York, NY (US); **Bryna Kuhnreich**, Montreal (CA)

(73) Assignee: **8479950 Canada Inc.**, Montreal (CA)

(\*\*) Term: **14 Years**

(21) Appl. No.: **29/446,124**

(22) Filed: **Feb. 20, 2013**

(51) **LOC (9) Cl.** ..... **31-00**

(52) **U.S. Cl.**

USPC ..... **D7/386; D7/376; D7/378; D7/412**

(58) **Field of Classification Search**

USPC ..... D7/301–313, 316–326, 356–357, 368,  
D7/372–386, 391–398, 412–415, 503, 515,  
D7/665–666, 679, 691–693; D30/122;  
99/280, 326, 348, 492, 508–512;  
241/30–37.5, 98, 101.01–101.2,  
241/166–169.1, 172, 272, 285.1–285.3,  
241/291, 292.1; 366/64–67, 98, 129,  
366/142–144, 192–211, 241–254, 262,  
366/279–292, 325.8, 325.92, 341–347;  
416/75–77, 70 R, 163

See application file for complete search history.

(56) **References Cited**

**U.S. PATENT DOCUMENTS**

D277,634 S *	2/1985	Doggett	.....	D7/386
D336,590 S *	6/1993	Barnard	.....	D7/378
D343,547 S *	1/1994	Levin	.....	D7/386
D347,966 S	6/1994	Doggett		

(Continued)

*Primary Examiner* — Ricky Pham

(74) *Attorney, Agent, or Firm* — McDonnell Boehnen Hulbert & Berghoff LLP

(57) **CLAIM**

The ornamental design for a blender base, as shown and described.

**DESCRIPTION**

FIG. 1 is a perspective view taken from a top, front, right side of a blender base, according to a first embodiment of our new design;

FIG. 2 is a front elevation view thereof;

FIG. 3 is a rear elevation view thereof;

FIG. 4 is a left side elevation view thereof;

FIG. 5 is a right side elevation view thereof;

FIG. 6 is a top plan view thereof;

FIG. 7 is a bottom plan view thereof;

FIG. 8 is a perspective view taken from a top, front, right side of a blender base, according to a second embodiment of our new design;

FIG. 9 is a front elevation view thereof;

FIG. 10 is a rear elevation view thereof;

FIG. 11 is a left side elevation view thereof;

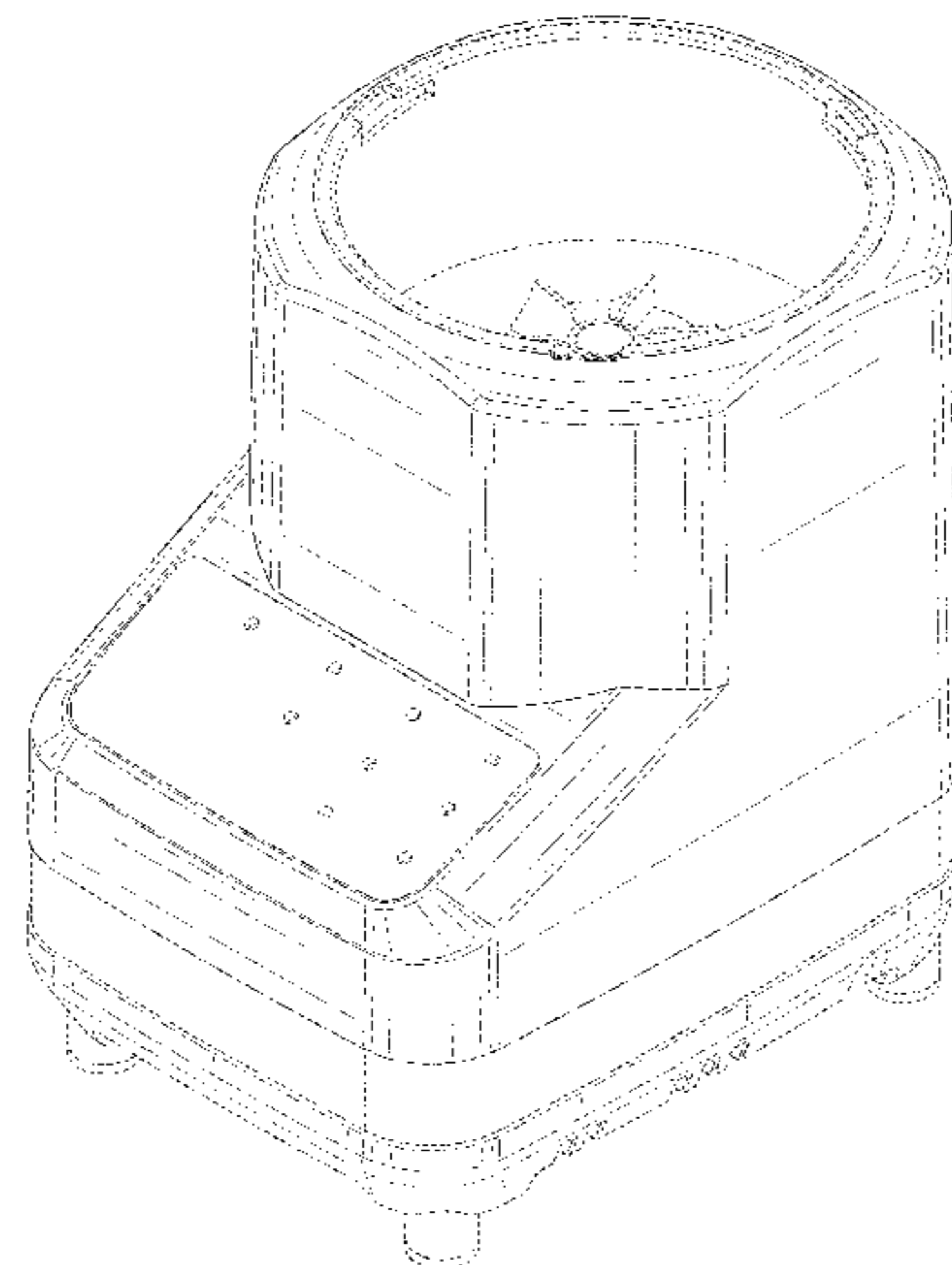
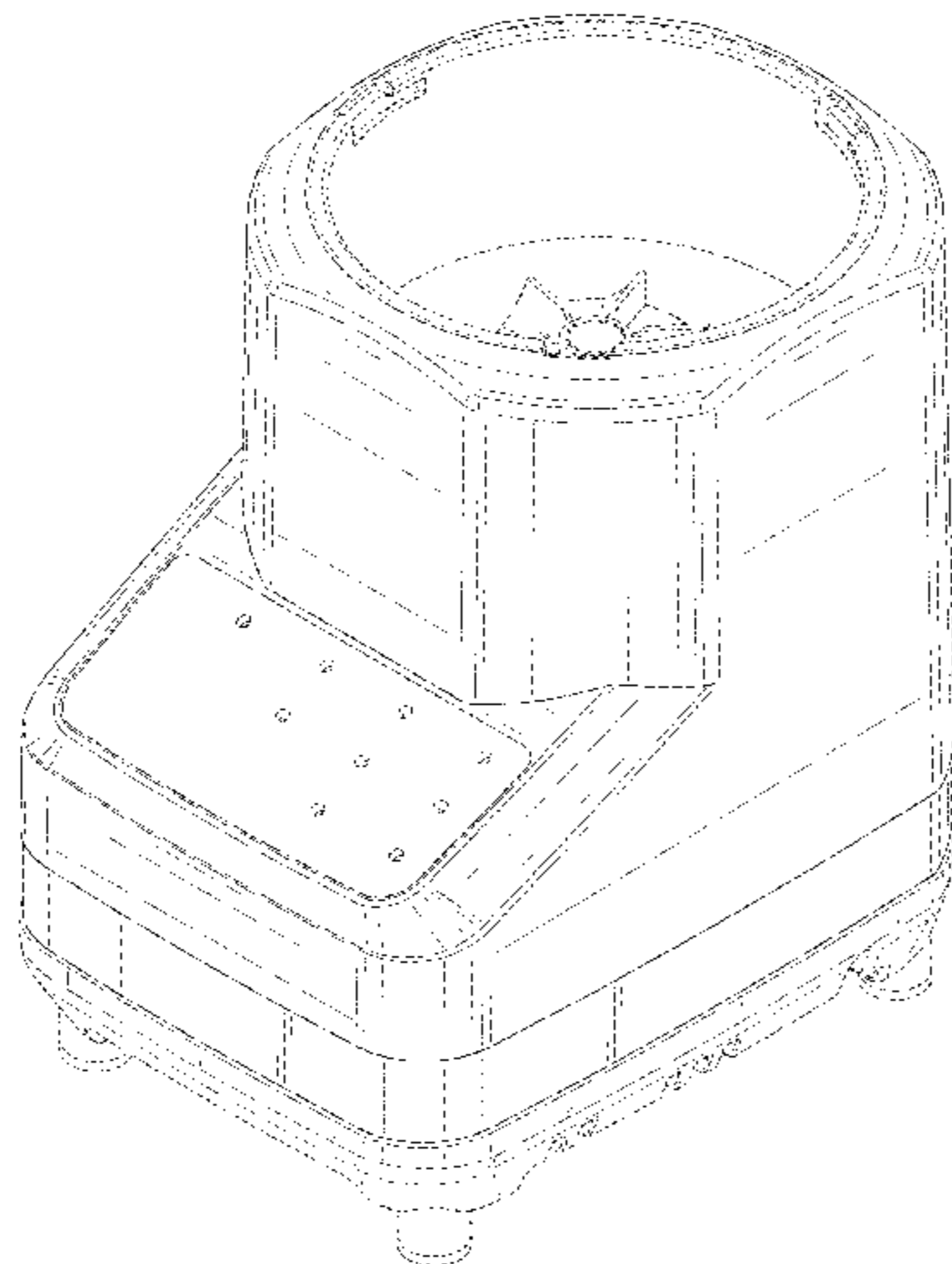
FIG. 12 is a right side elevation view thereof;

FIG. 13 is a top plan view thereof; and,

FIG. 14 is a bottom plan view thereof.

The design consists of the visual features of the portions of the blender base shown in solid lines in the drawings, whether those features are features of one of shape, configuration, ornament or pattern or a combination of any of these features. Throughout the Figures, where shown: (i) the dotted lines showing additional structure of the blender base are for illustrative purposes only and form no part of the claimed design; (ii) the unshaded and dotted surfaces do not form part of the claimed design; and (iii) the dotted/dashed lines illustrate unclaimed boundaries of surfaces claimed as part of the design, and form no part of the claimed design. Portions of the blender base not shown in the Figures and not otherwise described in this Specification do not form part of the claimed design.

**1 Claim, 14 Drawing Sheets**



(56)

**References Cited**

U.S. PATENT DOCUMENTS

5,487,511 A	1/1996	Sansone et al.	D611,760 S *	3/2010	Ball .....	D7/378
D404,247 S	1/1999	Spagnolo	7,677,485 B2	3/2010	Gursel	
6,092,922 A	7/2000	Kett et al.	D625,141 S *	10/2010	Moore .....	D7/378
D484,357 S	12/2003	Seum et al.	D625,143 S *	10/2010	Moore et al. ....	D7/384
D525,482 S	7/2006	Kassenaar	D625,144 S *	10/2010	Moore et al. ....	D7/384
D526,531 S	8/2006	Drees et al.	D638,653 S *	5/2011	Borin .....	D7/326
D532,251 S	11/2006	Kassenaar	D642,857 S *	8/2011	Bodum .....	D7/378
D533,020 S	12/2006	Kassenaar et al.	D642,860 S	8/2011	Tse	
D533,395 S	12/2006	Drees et al.	D645,301 S	9/2011	Tse	
D556,506 S	12/2007	Spagnolo	D647,357 S *	10/2011	Audette et al. ....	D7/386
D577,537 S	9/2008	Lee	D664,304 S *	7/2012	Whelan .....	D30/122
7,419,111 B2	9/2008	Gursel	D677,976 S *	3/2013	Palermo et al. ....	D7/386
D605,462 S *	12/2009	Picozza et al. ....	2012/0024993 A1	2/2012	Audette et al.	
			2012/0024995 A1	2/2012	Audette	
			2012/0026827 A1	2/2012	Audette	
			2012/0027902 A1	2/2012	Audette	

\* cited by examiner

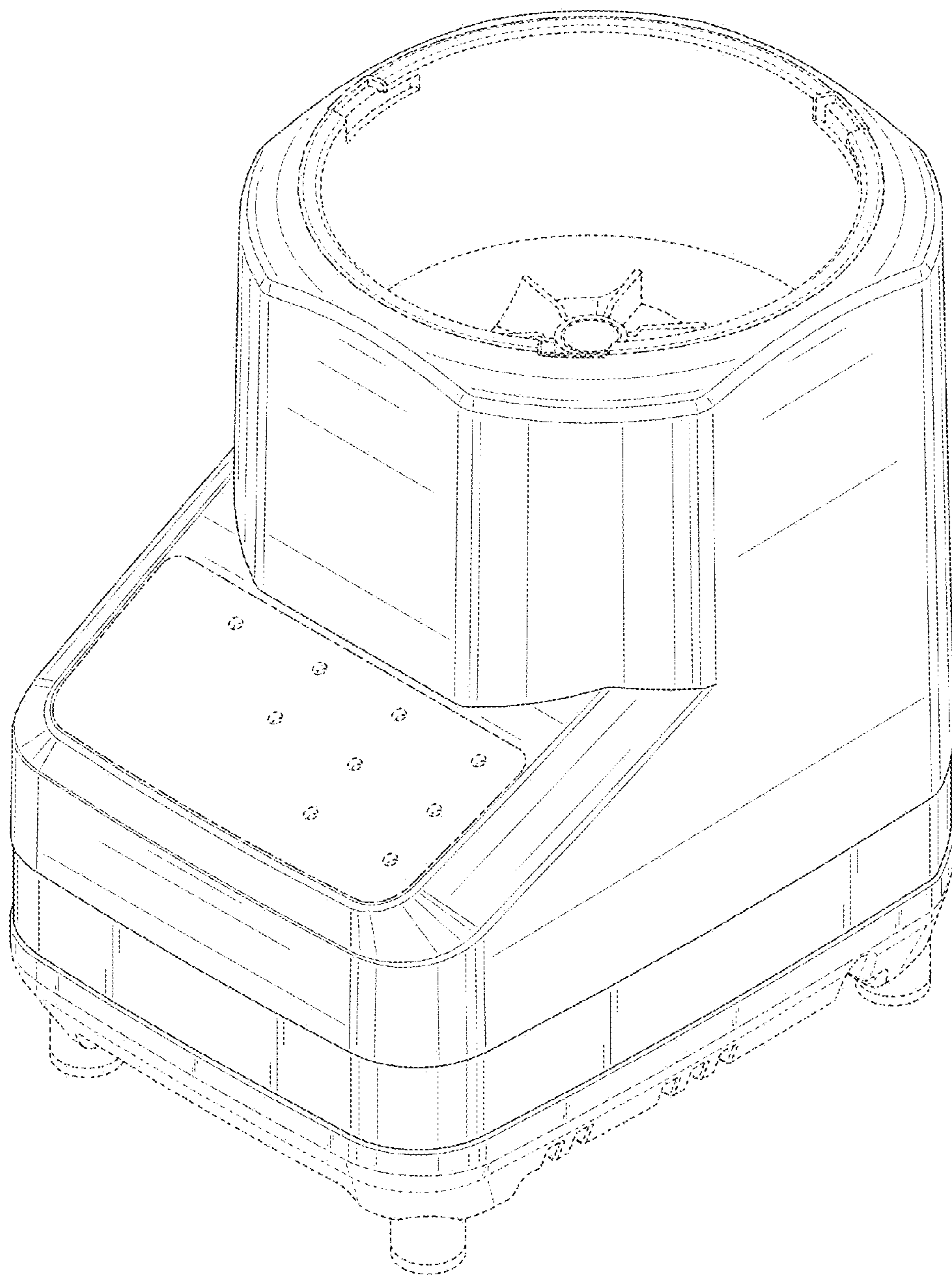


FIG. 1

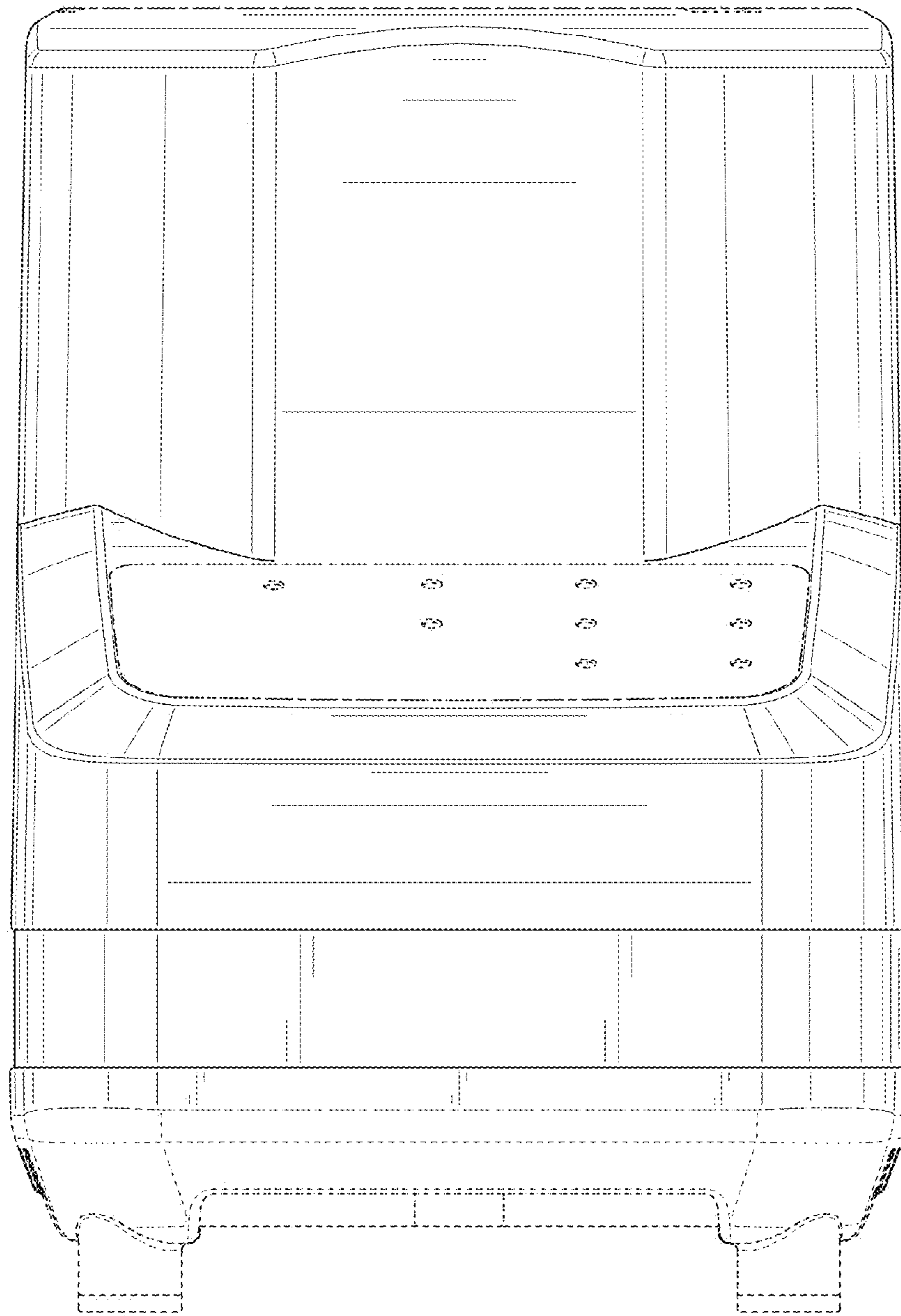


FIG. 2

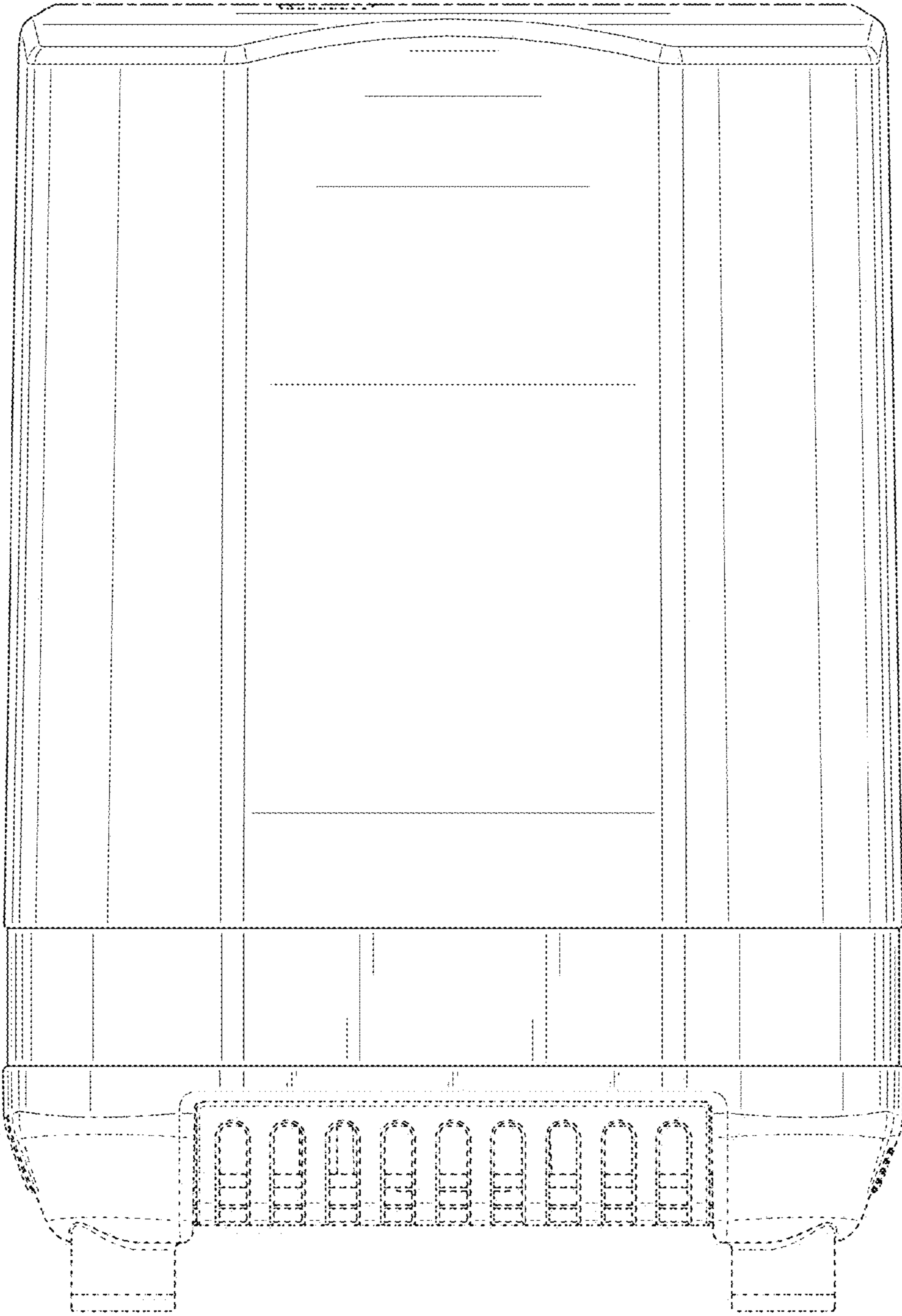


FIG. 3

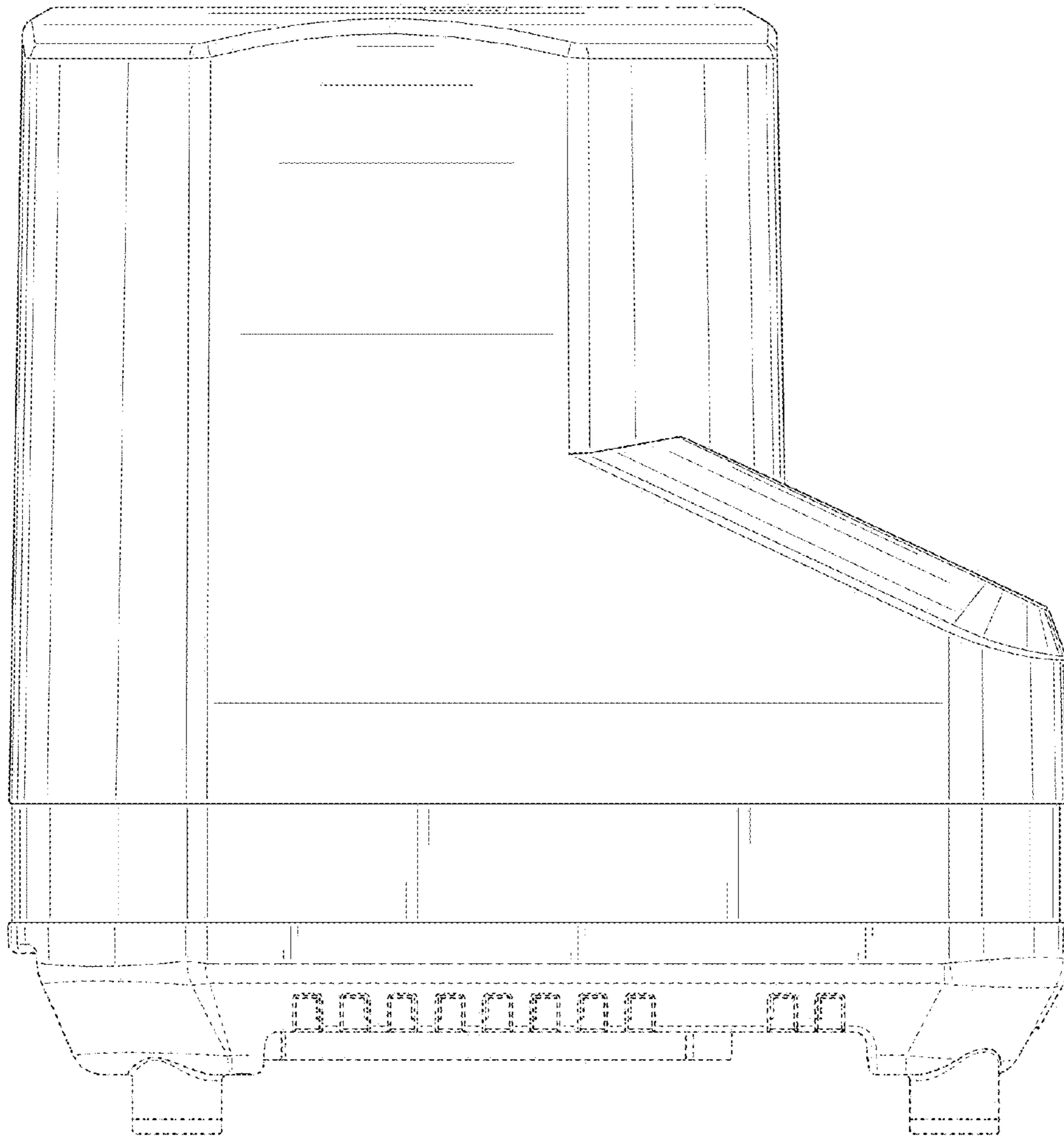


FIG. 4

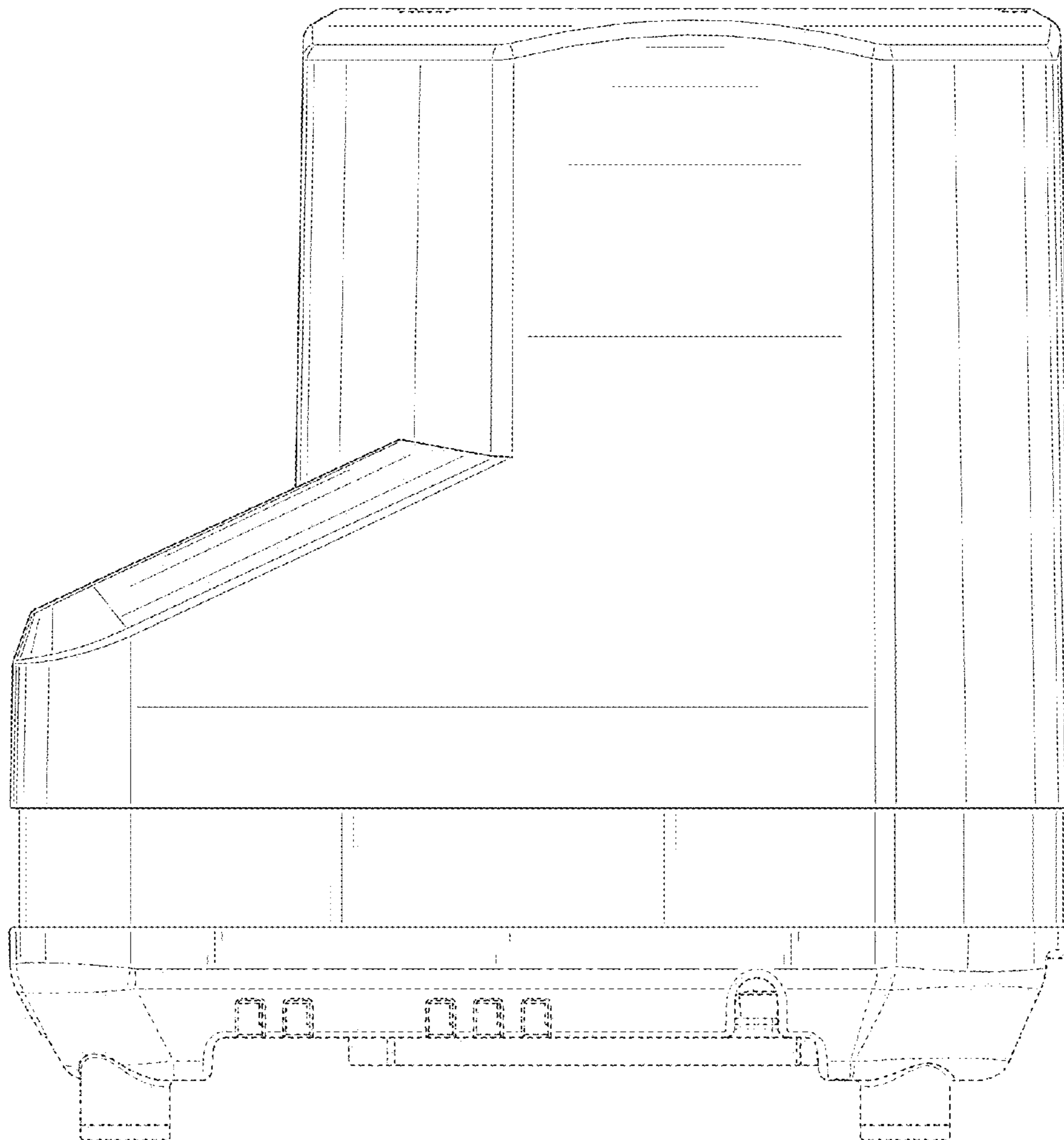


FIG. 5

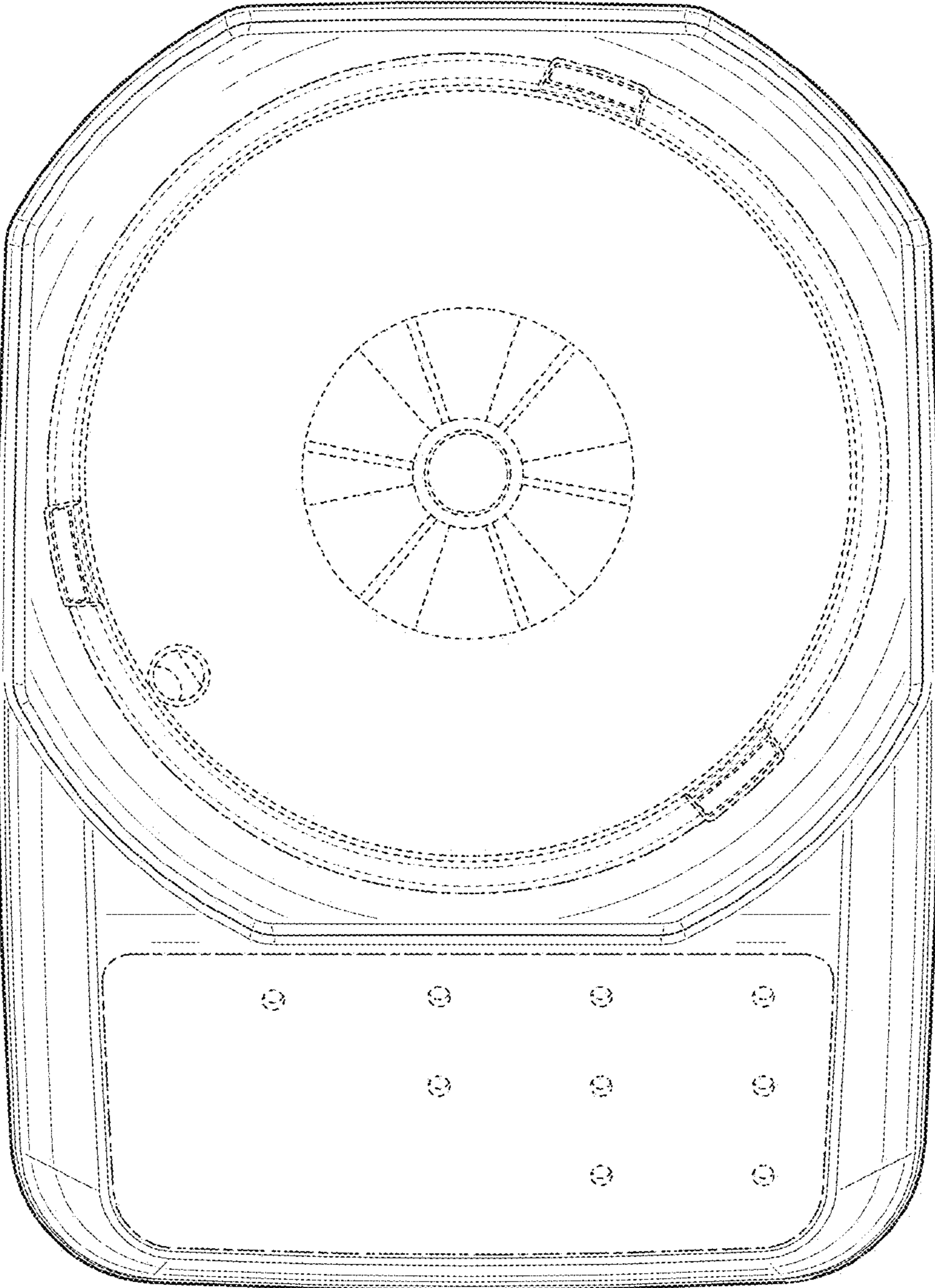


FIG. 6



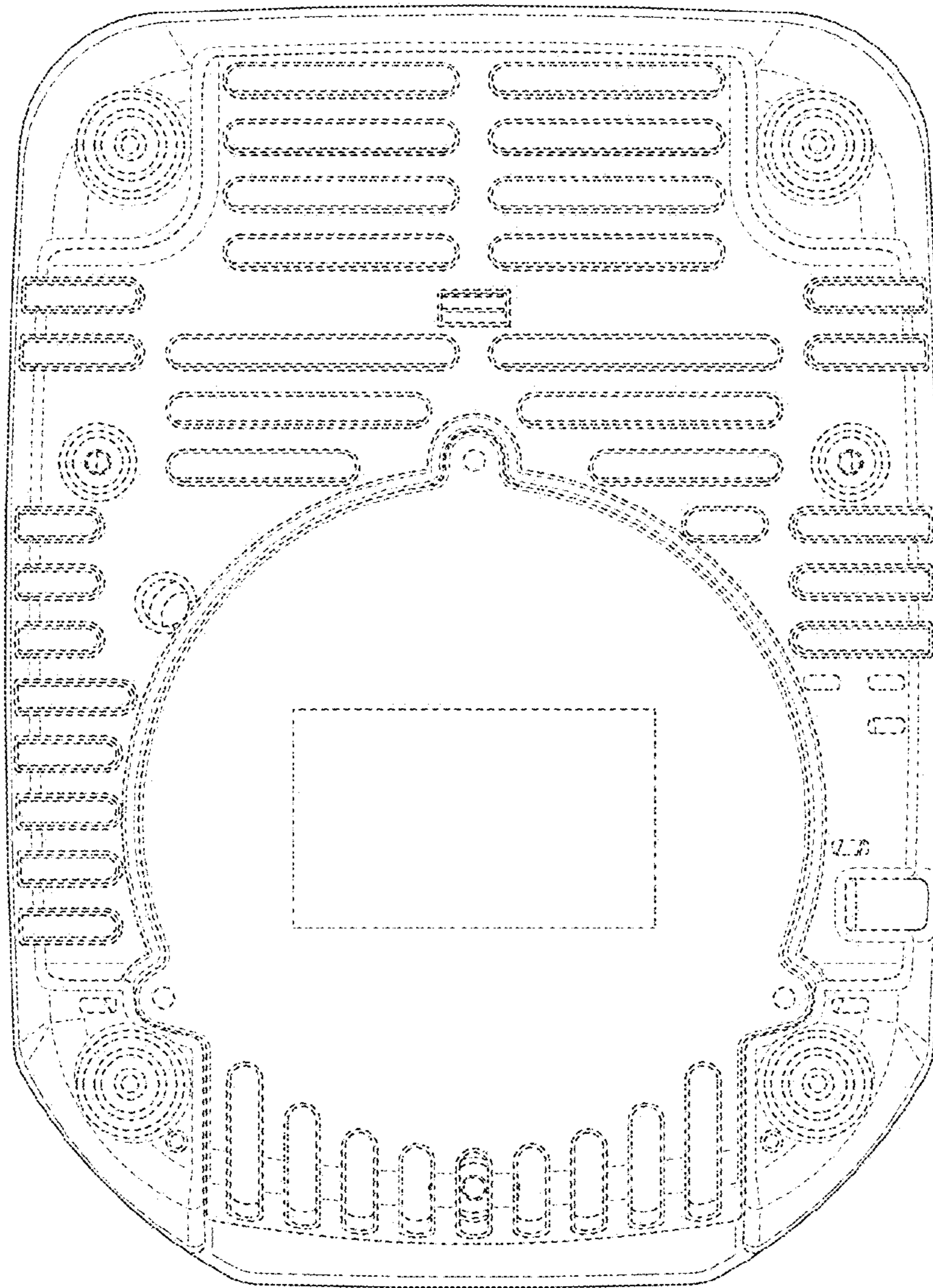


FIG. 7

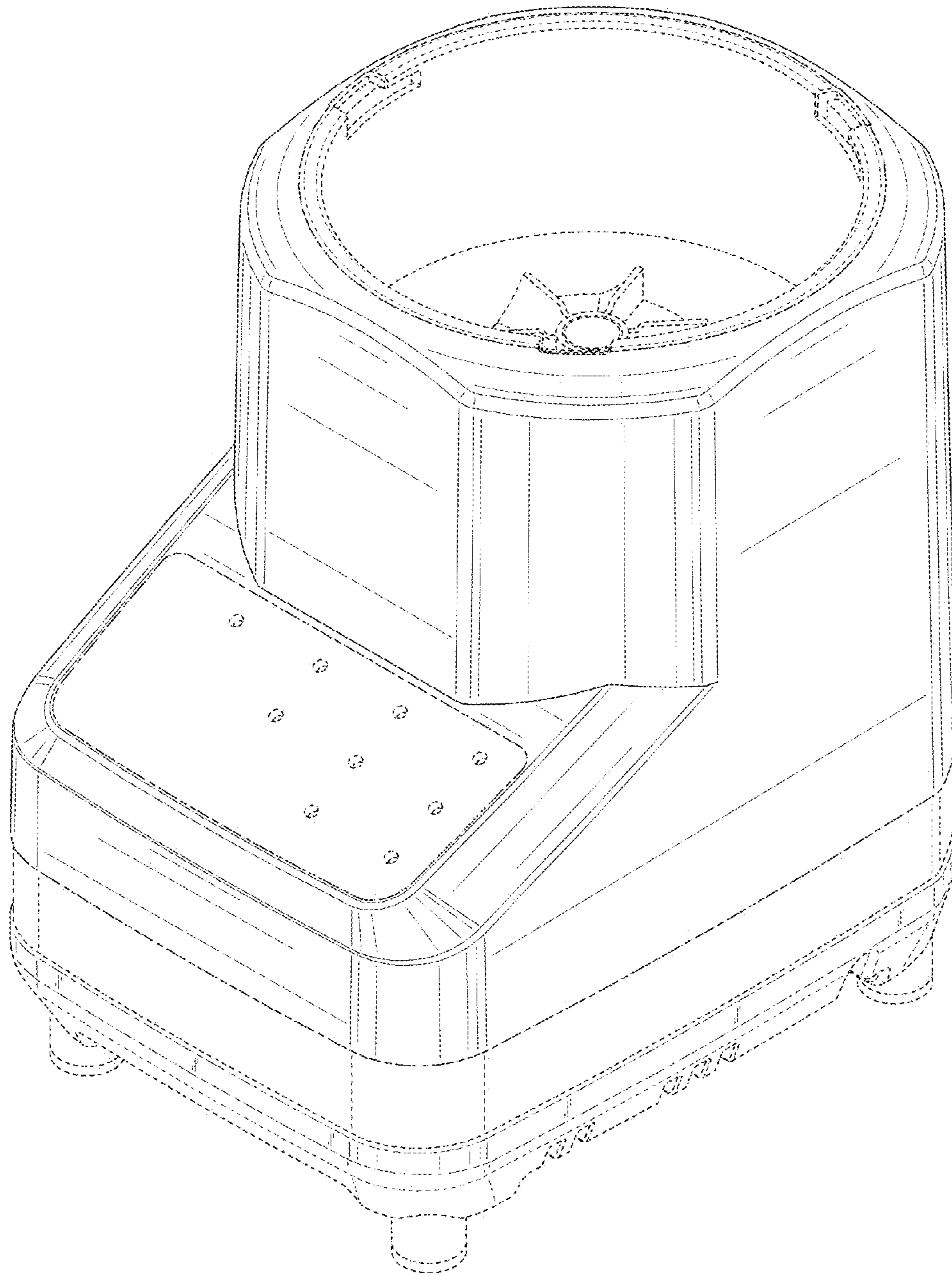


FIG. 8



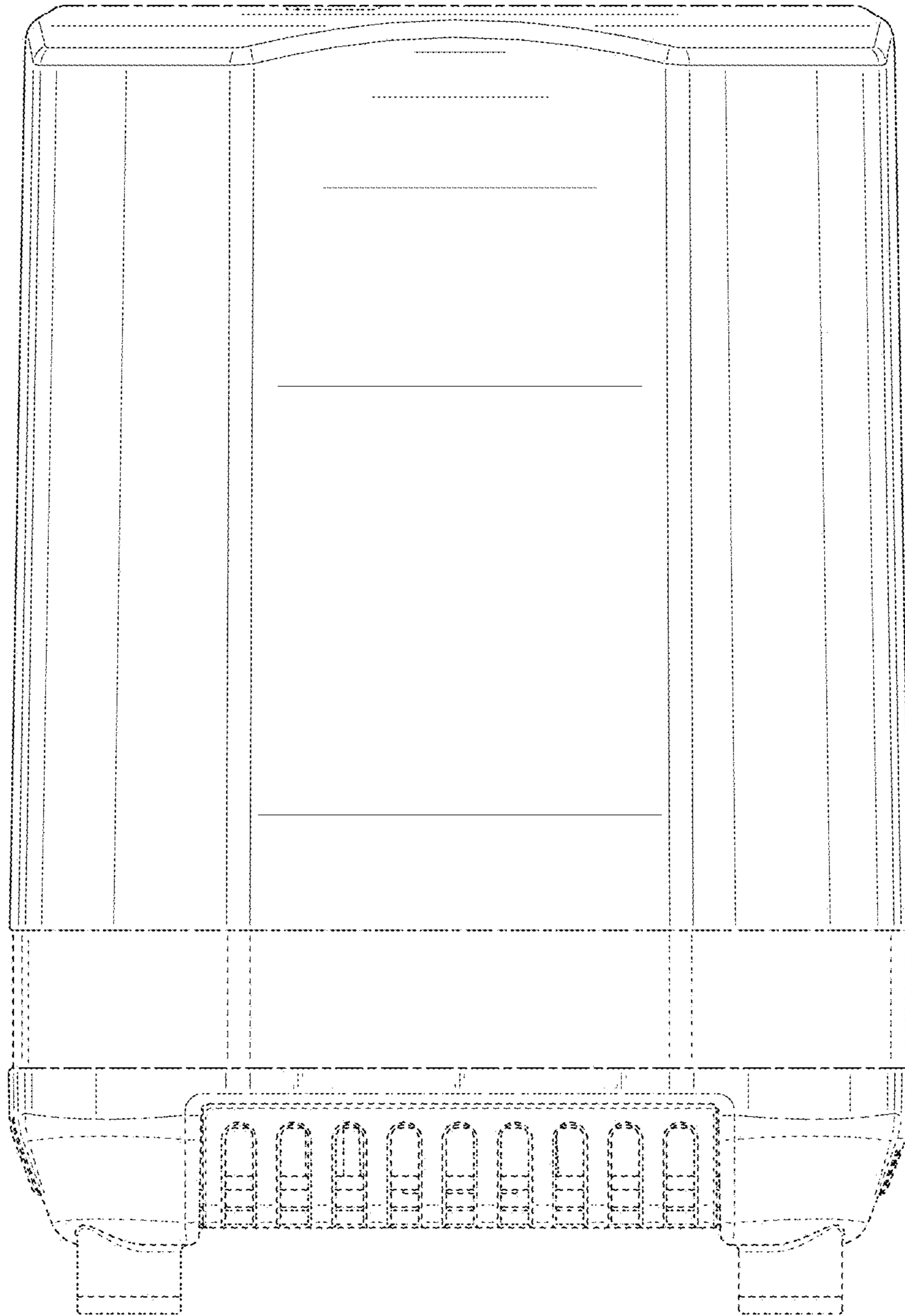


FIG. 10

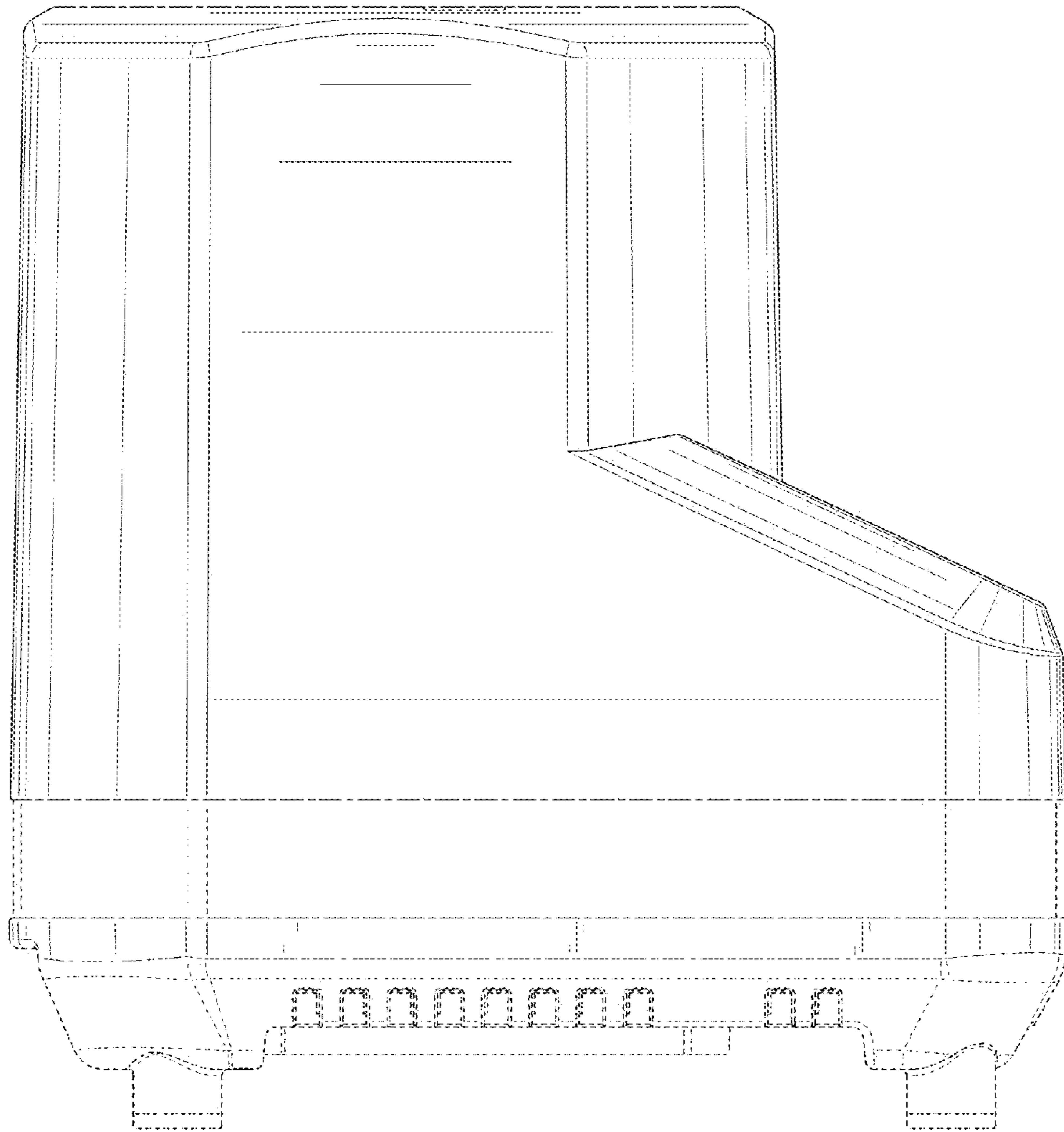


FIG. 11

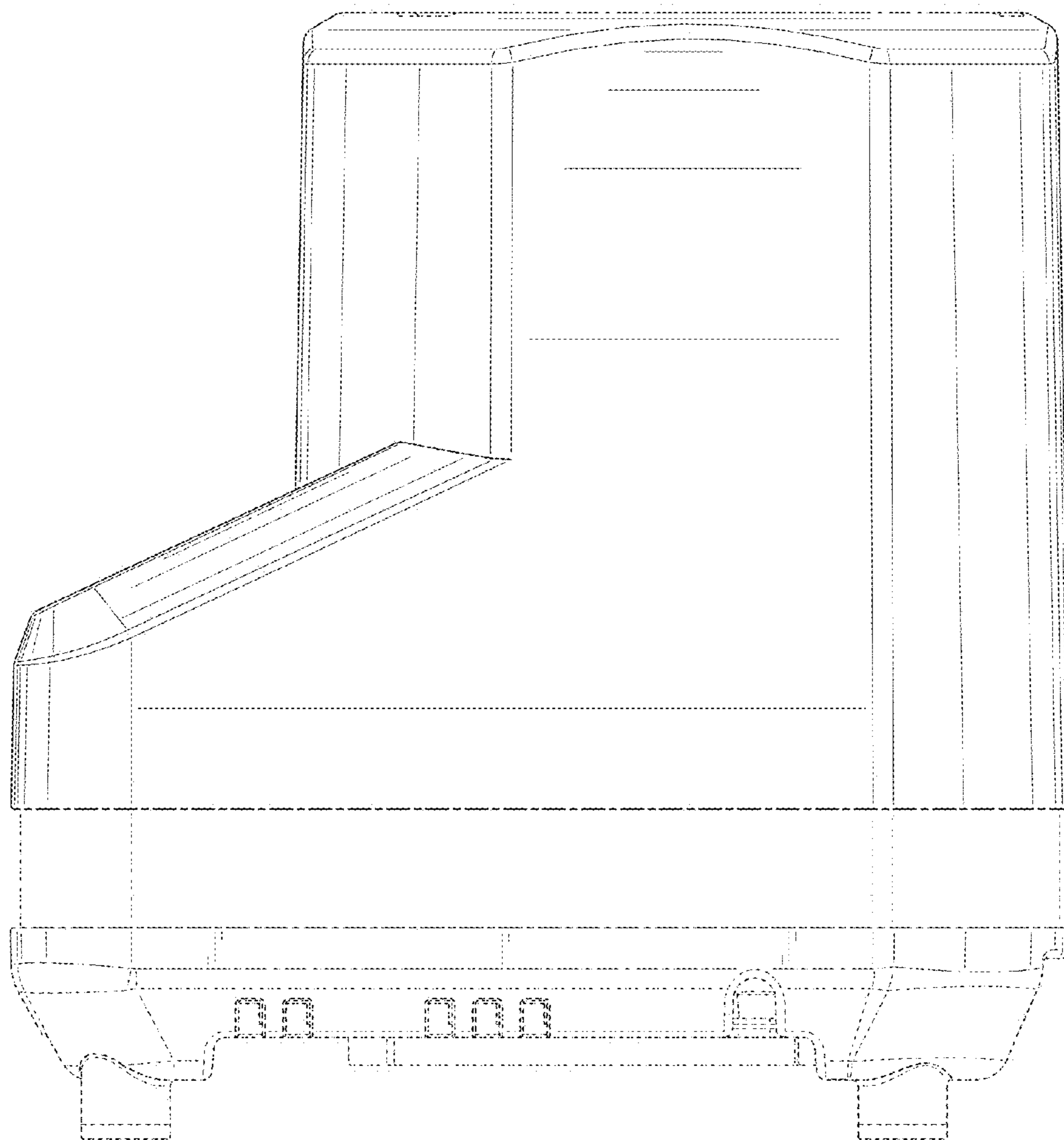


FIG. 12

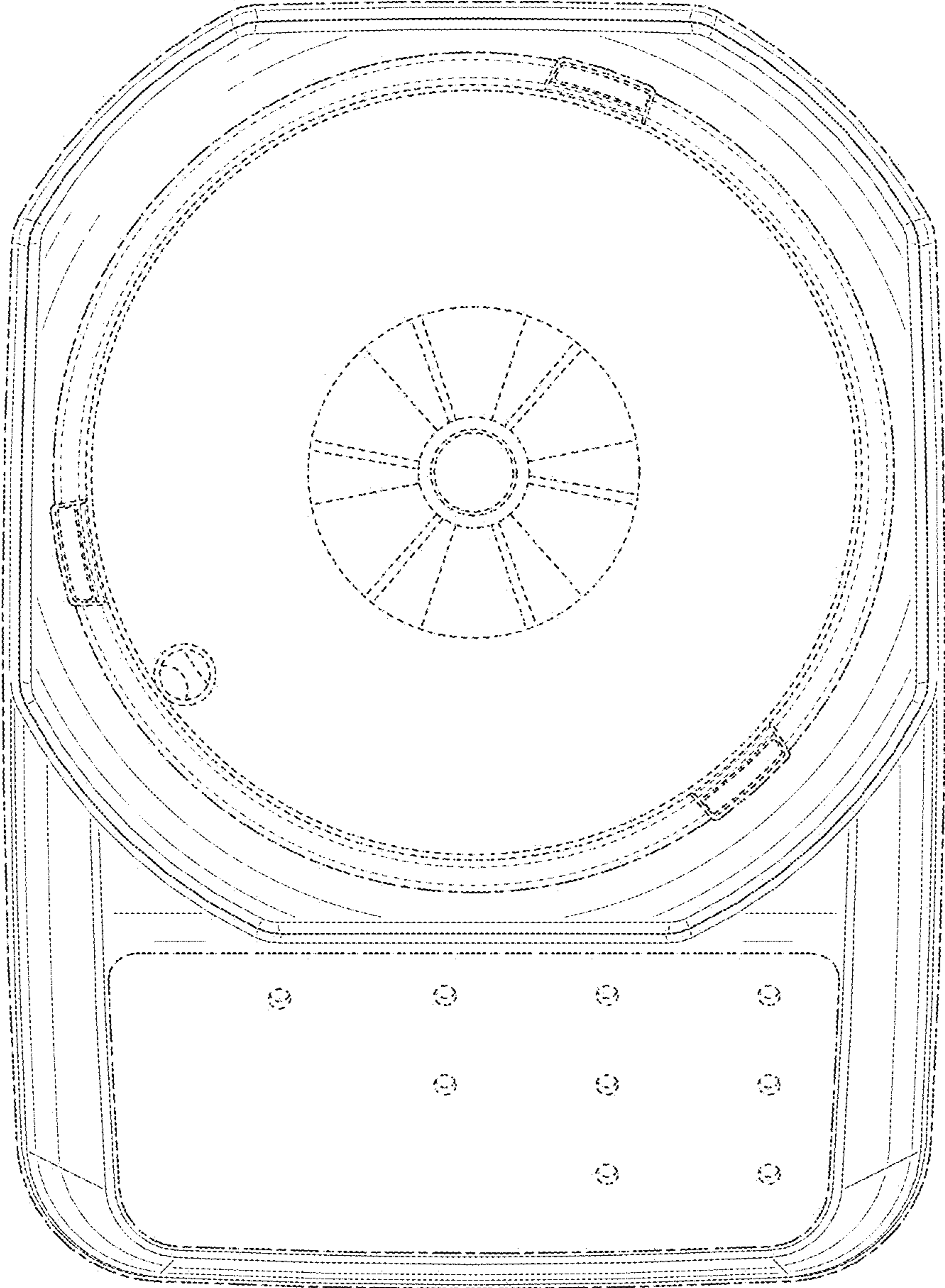


FIG. 13

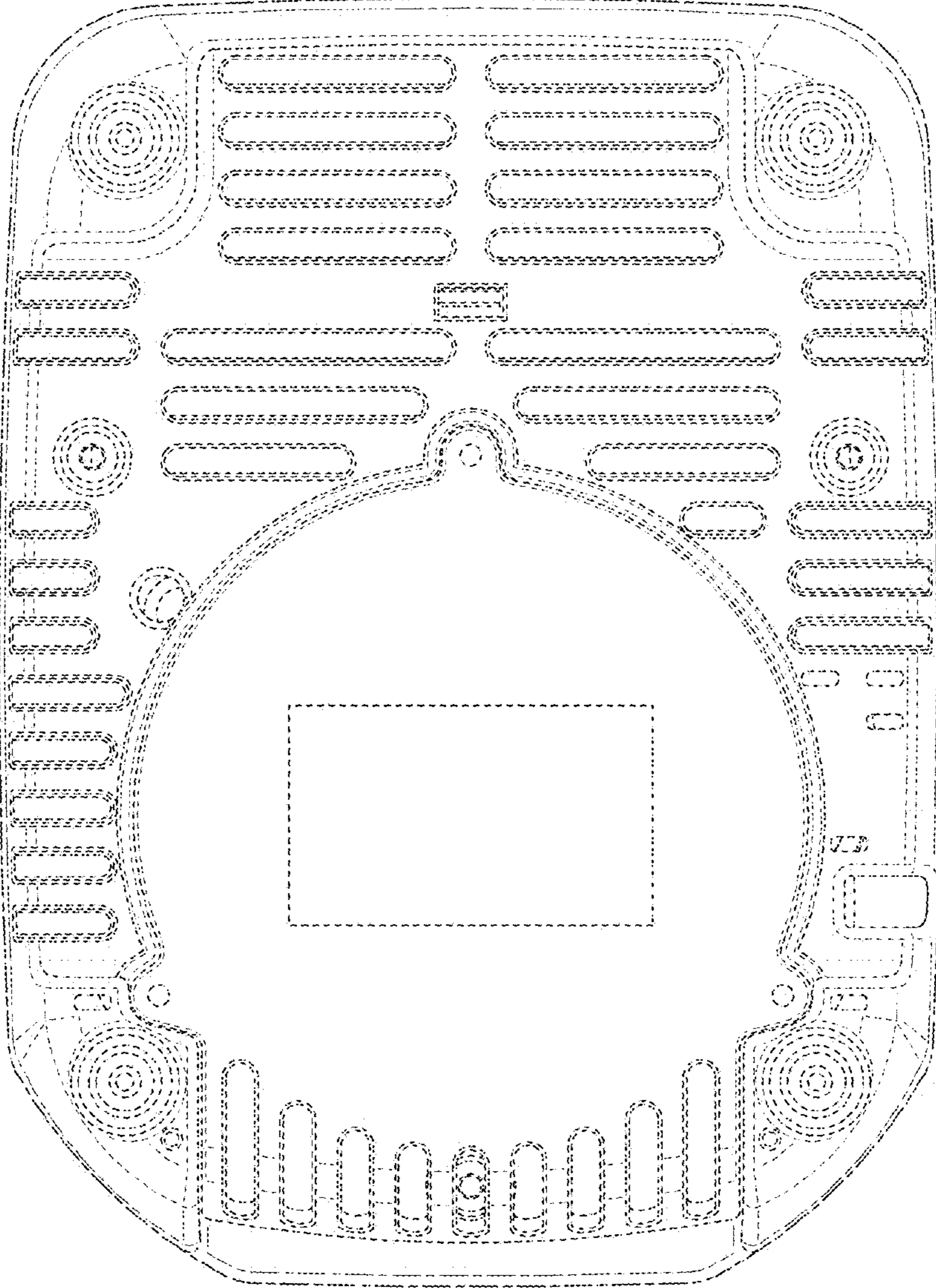


FIG. 14