

US00D695059S

(12) **United States Design Patent**
Mehler et al.

(10) **Patent No.:** **US D695,059 S**
(45) **Date of Patent:** **** Dec. 10, 2013**

(54) **COOKING GRILL**

FOREIGN PATENT DOCUMENTS

(75) Inventors: **Brian Adam Mehler**, Long Beach, CA (US); **Richard Rivera**, Corona, CA (US)

KR 2002-0030653 4/2002

(73) Assignee: **Tropitone Furniture Co., Inc.**, Irvine, CA (US)

OTHER PUBLICATIONS
http://www.alibaba.com/product-tp/108119053/MODEL_TBP_BBQ_GRILL_PLATE.html, in 1 page, available on or before May 20, 2012.

(**) Term: **14 Years**

(Continued)

(21) Appl. No.: **29/431,050**

Primary Examiner — Ricky Pham

(22) Filed: **Aug. 31, 2012**

(74) *Attorney, Agent, or Firm* — Knobbe, Martens, Olsen & Bear, LLP

(51) **LOC (9) Cl.** **07-02**

(52) **U.S. Cl.**
USPC **D7/359**; D7/354

(57) **CLAIM**

The ornamental design for a cooking grill, as shown and described.

(58) **Field of Classification Search**

DESCRIPTION

USPC D7/323, 329–332, 337–339, 346–347, D7/350.1–350.4, 353–367, 388–395, D7/402–409, 538, 542–543, 665; 34/197; 99/324–325, 330–332, 337–343, 99/366–369, 400–418, 422, 425, 444–450, 99/476, 483; 126/25 R, 37 R, 41 R, 261, 126/378.1, 390.1; 206/501–505, 507–508; 219/368–387, 400, 405, 429–442, 219/452.11, 620–624, 725, 730–735; 220/314–315, 486, 573.1–573.5, 220/592.16, 608, 912; 426/438, 441
See application file for complete search history.

FIG. 1 is a top, front and side perspective view of an embodiment of a cooking grill embodying our new design.
FIG. 2 is a top, front, and side perspective exploded view of the embodiment of the cooking grill embodying our new design.
FIG. 3 is a top view thereof.
FIG. 4 is a bottom view thereof.
FIG. 5 is a side view thereof.
FIG. 6 is a 90 degree rotated side view thereof.
FIG. 7 is a top view of a grill rack thereof; shown separately for ease of illustration.
FIG. 8 is a bottom view of the grill rack of FIG. 7.
FIG. 9 is a side view of the grill rack of FIG. 7.
FIG. 10 is a top view of a tray thereof; shown separately for ease of illustration.
FIG. 11 is a bottom view of the tray of FIG. 10.
FIG. 12 is a side view of the tray of FIG. 10; and,
FIG. 13 is a 90 degree rotated side view of the tray of FIG. 10.

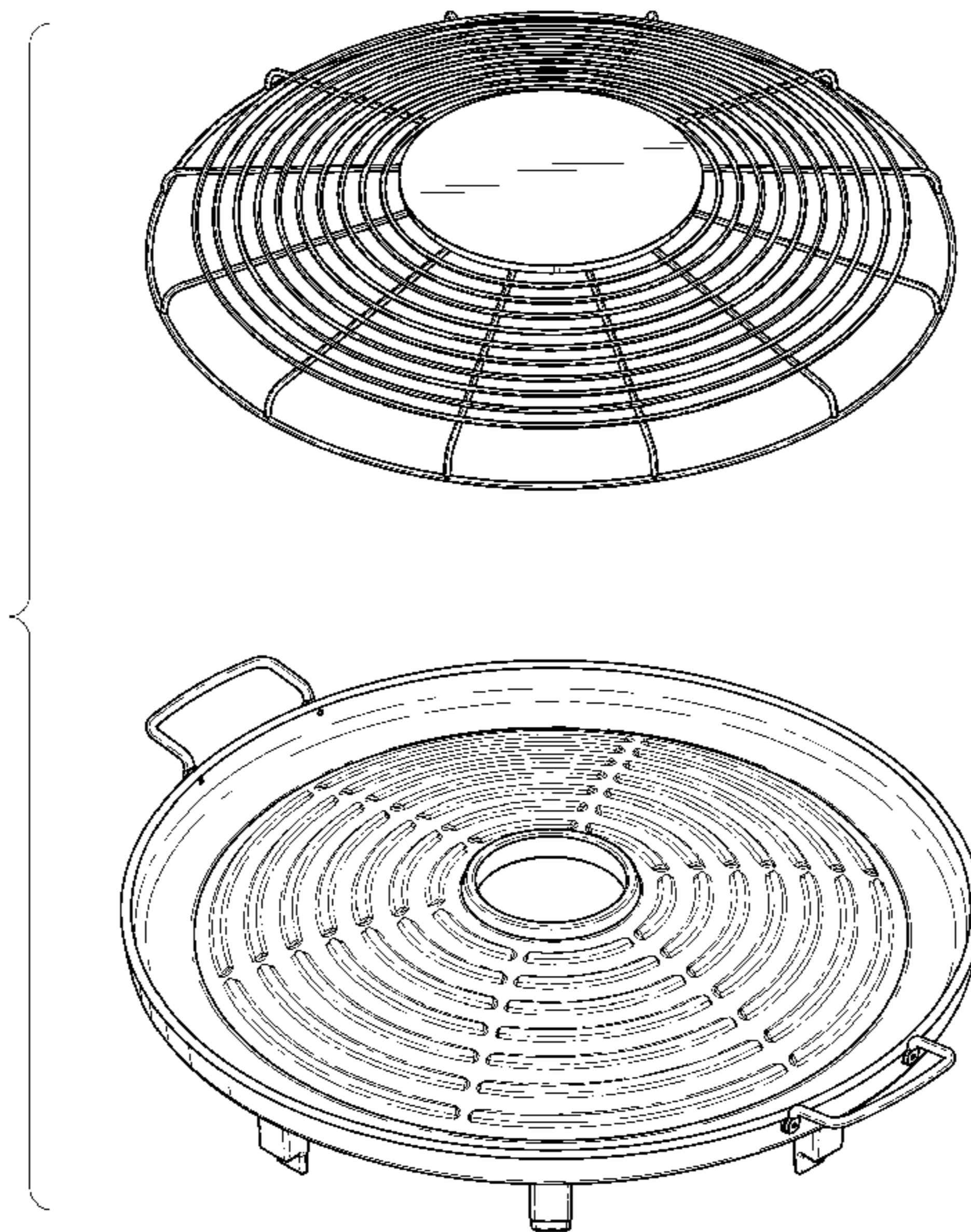
(56) **References Cited**

U.S. PATENT DOCUMENTS

1,471,039 A 10/1923 Lee
3,019,721 A 2/1962 Haapala
3,079,855 A 3/1963 Valis
3,212,426 A 10/1965 Lewus

(Continued)

1 Claim, 7 Drawing Sheets



(56)

References Cited

U.S. PATENT DOCUMENTS

3,301,172 A 1/1967 Haro
 3,323,508 A 6/1967 Holman
 3,333,526 A 8/1967 Kirkpatrick
 3,347,404 A 10/1967 McIntyre
 3,516,573 A * 6/1970 Mizuk 220/608
 D229,277 S 11/1973 Ming Kong
 D229,656 S 12/1973 Garcia
 3,847,068 A 11/1974 Beer et al.
 3,850,087 A 11/1974 Landblom et al.
 D246,627 S 12/1977 Sugiyama
 D251,107 S 2/1979 Ottier
 4,436,023 A 3/1984 Takahashi
 D282,139 S 1/1986 Radford
 4,976,252 A 12/1990 Cianciola
 5,165,328 A 11/1992 Erickson et al.
 5,195,424 A 3/1993 Guajaca
 D336,009 S 6/1993 Tringali et al.
 D339,266 S 9/1993 Lockett
 5,311,673 A * 5/1994 Su 34/197
 5,323,693 A 6/1994 Collard et al.
 5,359,988 A 11/1994 Hait
 D359,652 S 6/1995 Mendelson et al.
 5,437,108 A 8/1995 Alseth
 5,465,651 A 11/1995 Erickson et al.
 5,513,558 A 5/1996 Erickson et al.
 D371,719 S 7/1996 Perry
 D382,765 S 8/1997 Kellermann
 D383,355 S 9/1997 Uter
 5,682,811 A 11/1997 Kidushim
 D387,240 S 12/1997 Simmonds et al.
 5,699,722 A 12/1997 Erickson et al.
 5,720,272 A 2/1998 Chiang
 5,911,812 A 6/1999 Stanek et al.
 5,950,526 A * 9/1999 Hsu 99/476
 5,970,858 A 10/1999 Boehm et al.
 6,023,051 A 2/2000 Fellows
 6,041,696 A 3/2000 Su
 6,082,249 A 7/2000 Su
 6,105,487 A 8/2000 Nash et al.
 D431,411 S 10/2000 Chang
 6,201,217 B1 3/2001 Moon et al.
 D440,112 S 4/2001 Su
 D442,020 S 5/2001 Pierick
 D442,822 S * 5/2001 Lin D7/362
 D448,604 S * 10/2001 Cho D7/337
 6,363,842 B1 4/2002 Lin
 6,386,192 B1 5/2002 Weber
 6,389,961 B1 5/2002 Wu
 6,457,601 B1 * 10/2002 Chappell 220/573.4
 D475,571 S * 6/2003 Hopkins D7/359
 6,598,598 B1 7/2003 Bratsikas
 6,782,801 B1 8/2004 Correa et al.
 6,841,759 B2 1/2005 Elwedini
 6,929,001 B2 8/2005 Yoon

6,936,795 B1 8/2005 Moon et al.
 7,219,663 B2 5/2007 Cuomo
 D623,006 S 9/2010 Alden et al.
 D650,225 S 12/2011 Bartol et al.
 8,181,640 B2 5/2012 Park
 8,330,083 B2 12/2012 Moon et al.
 D678,712 S * 3/2013 Mehler D7/359
 D679,943 S * 4/2013 Zhou D7/402
 8,424,450 B2 * 4/2013 Jeon et al. 99/401
 2004/0200359 A1 10/2004 Snider
 2005/0039612 A1 * 2/2005 Denny 99/450
 2008/0044537 A1 2/2008 Manuel
 2009/0095168 A1 * 4/2009 Shu 99/425
 2010/0307347 A1 * 12/2010 Menashes 99/340

OTHER PUBLICATIONS

http://www.alibaba.com/product-tp/108044193/MODEL_TP_2_BBQ_GRILL_PLATE.html, in 3 pages, available on or before May 20, 2012.
http://www.amazon.com/Castiron-Marble-Coating-Stove-Outdoor/dp/B000216TAW/ref=sr_1_4?ie=UTF8&qid=1337562464&sr=8-4, in 3 pages, available on or before May 20, 2012.
http://www.amazon.com/Mongolian-BBQ-Grill-Cast-Iron/dp/B002A3AZQO/ref=sr_1_1?ie=UTF8&qid=1337562464&sr=8-1, in 4 pages, available on or before May 20, 2012.
<http://jasonandkara.com/2007/03/10/bulgogi-korean-barbeque/>, in 1 page, available on or before May 20, 2012.
http://queenart.en.ec21.com/Bulgogi_Grill_Pan_with_Marble--2103258_2103271.html, in 1 page, available on or before May 20, 2012.
http://kimchimari.com/2012/02/25/pork-bbq-dweji-bulgogi/dsc_5793-640x425/, in 5 pages, available on or before May 20, 2012.
http://www.alibaba.com/product-free/111467453/Grill_Pan_Grill_Plate.html, in 2 pages, available on or before May 20, 2012.
<http://www.undercovegourmet.ca/2010/10/edmontons-best-korean-blog/>, in 3 pages, available on or before May 20, 2012.
<http://www.deal.com.sg/deals/singapore/BigBang-Bulgogi-Korean-BBQ-n-Steamboat-2-in-1-Buffer-3-Price-Options-Available>, in 5 pages, available on or before May 20, 2012.
http://www.alibaba.com/product-free/112426845/Cast_Iron_Korean_Bowl_Set.html, in 2 pages, available on or before May 20, 2012.
http://www.alibaba.com/product-gs/2961523366/BBQ_Grill_Plate.html, in 2 pages, available on or before May 20, 2012.
<http://www.eurocosm.com/Application/Products/cooking-products/architect-firepit-GB.asp>, in 3 pages, available on or before May 20, 2012.
http://www.alibaba.com/product-gs/300043200/BBQ_Grill_Plate.html, in 2 pages, available on or before May 20, 2012.
 Masagrill Masa Series BBQ Grill Fire Pit Insert, <http://www.wayfair.com/Masagrill-Masa-Series-BBQ-Grill-Fire-Pit-Insert-STA227-MSG1005.html>, in 3 pages, available on or before May 20, 2012.

* cited by examiner

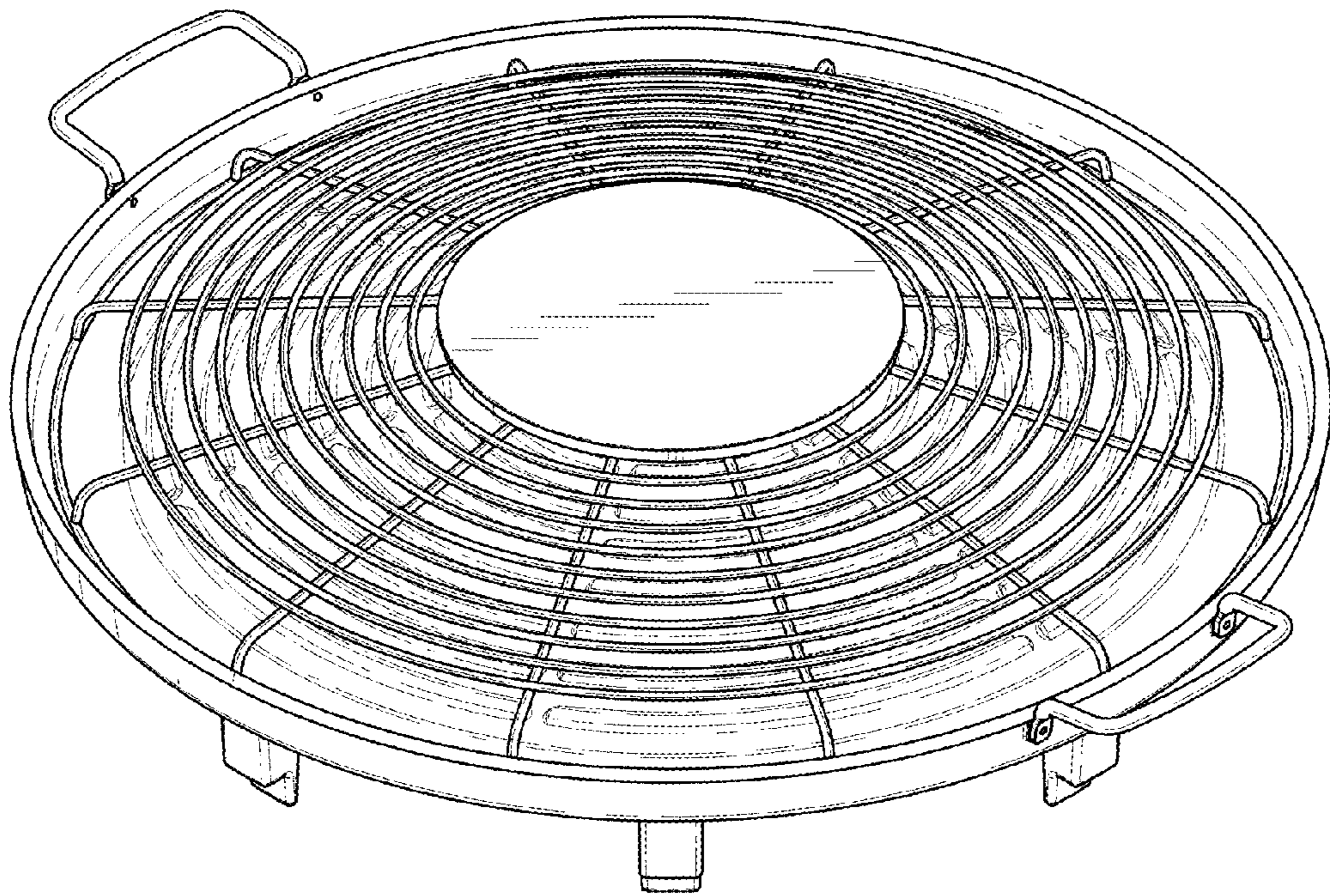


FIG. 1

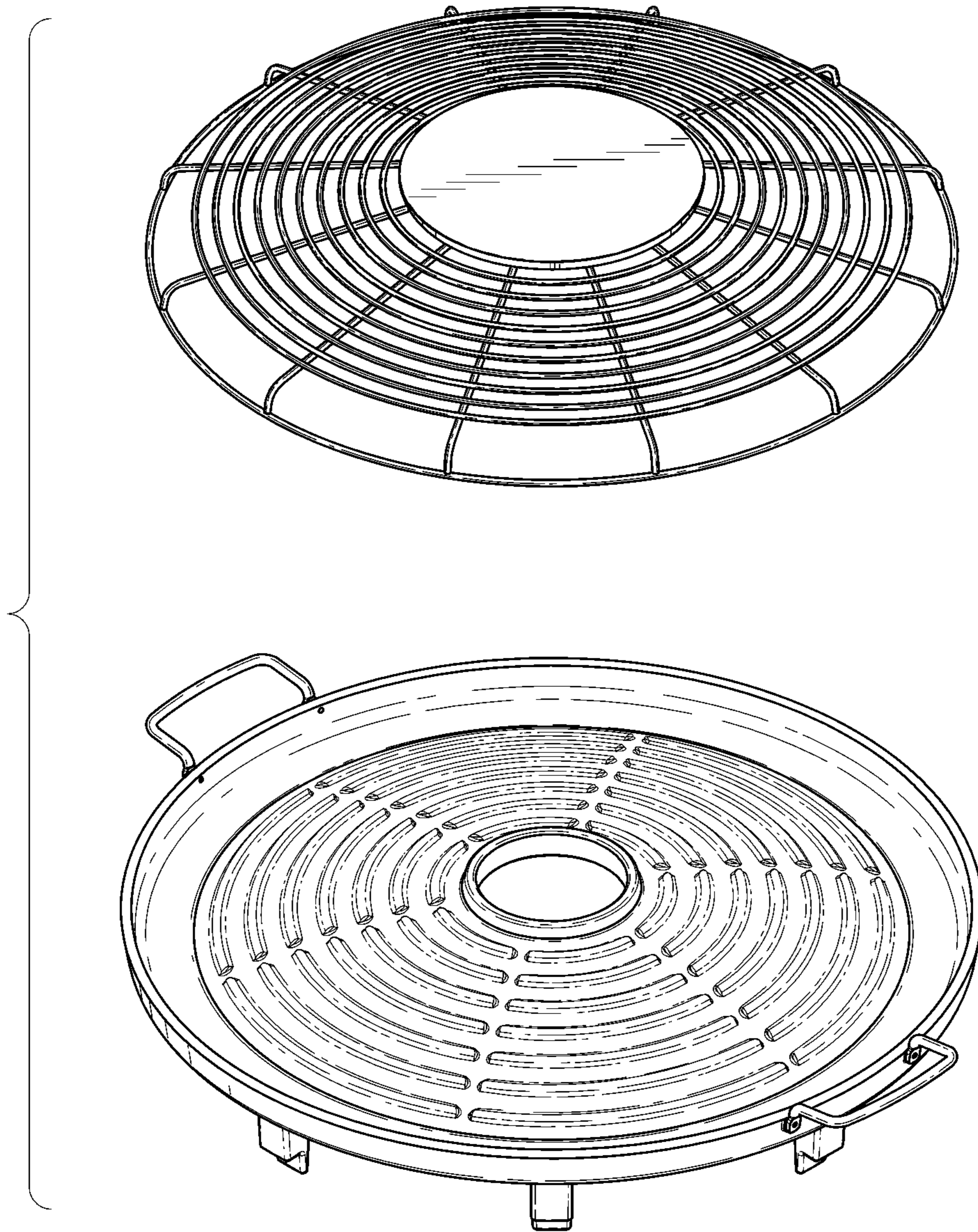


FIG. 2

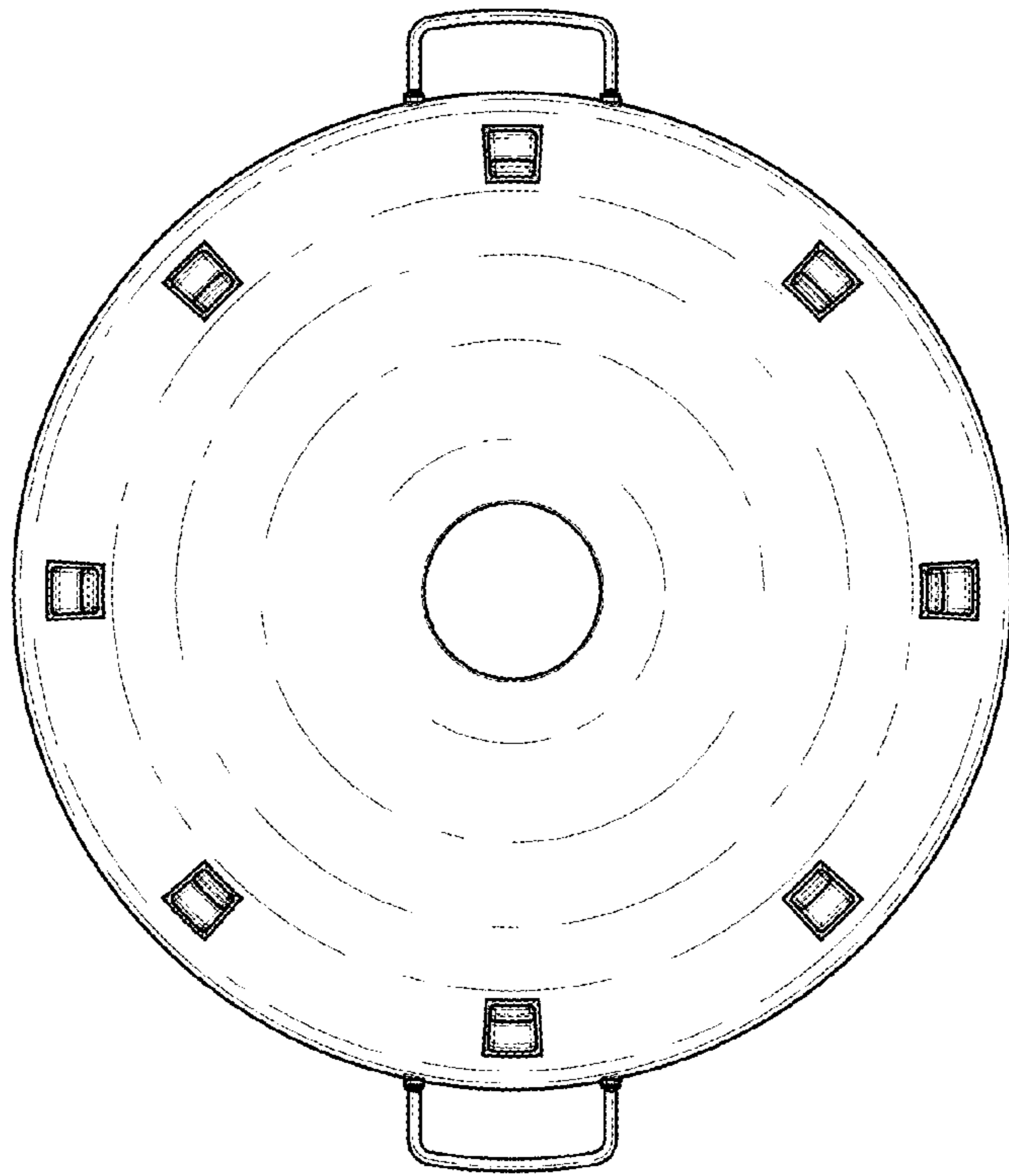


FIG. 4

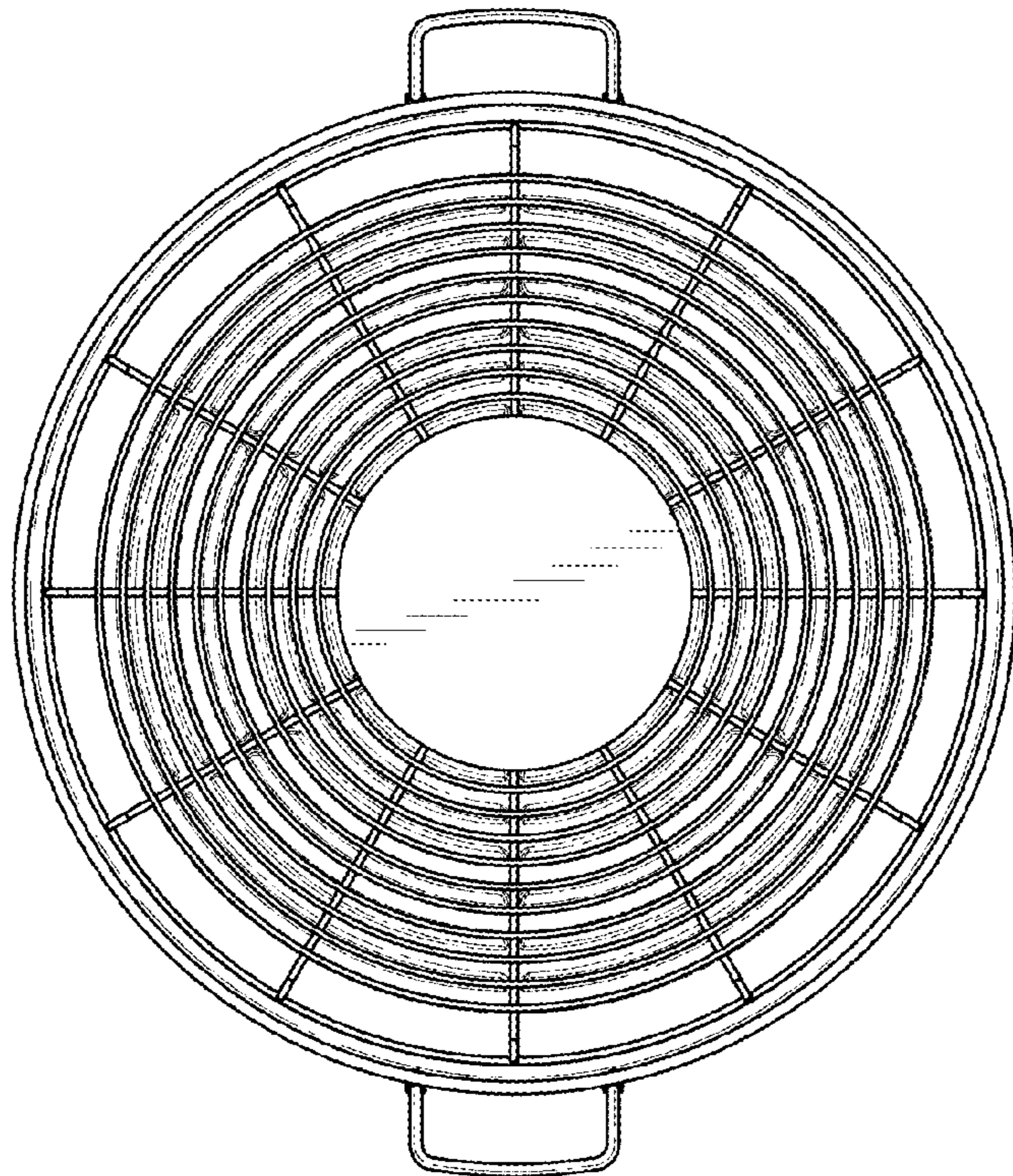


FIG. 3

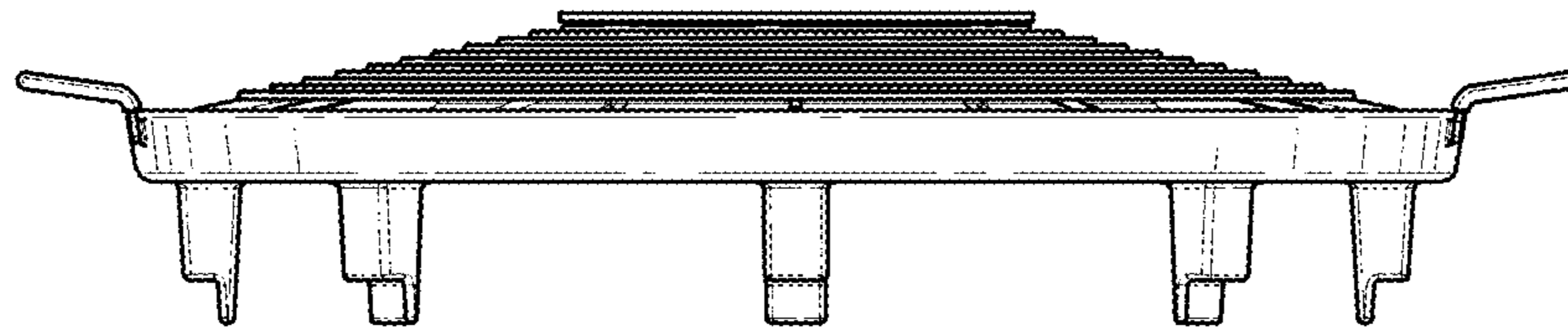


FIG. 5

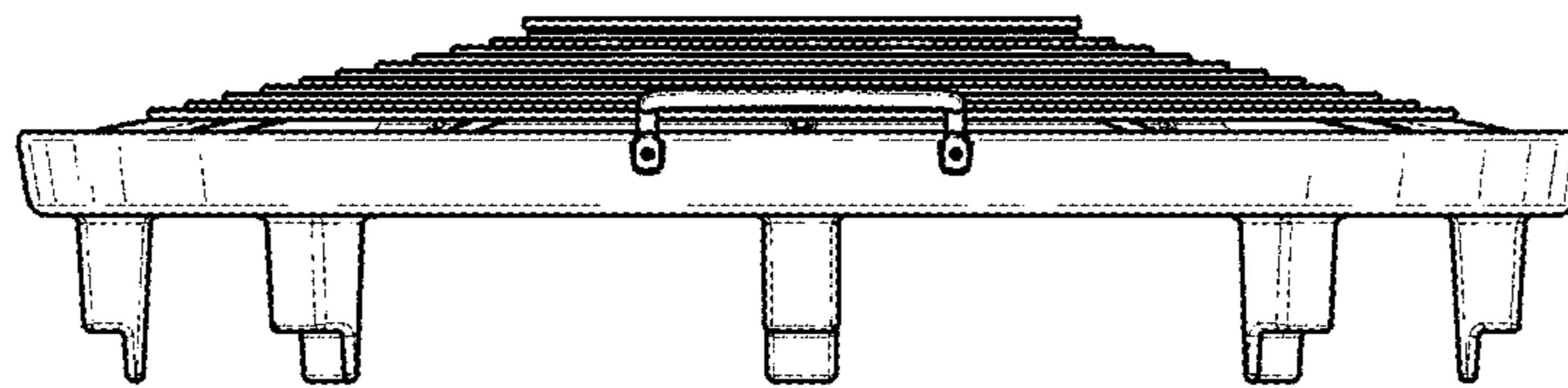


FIG. 6

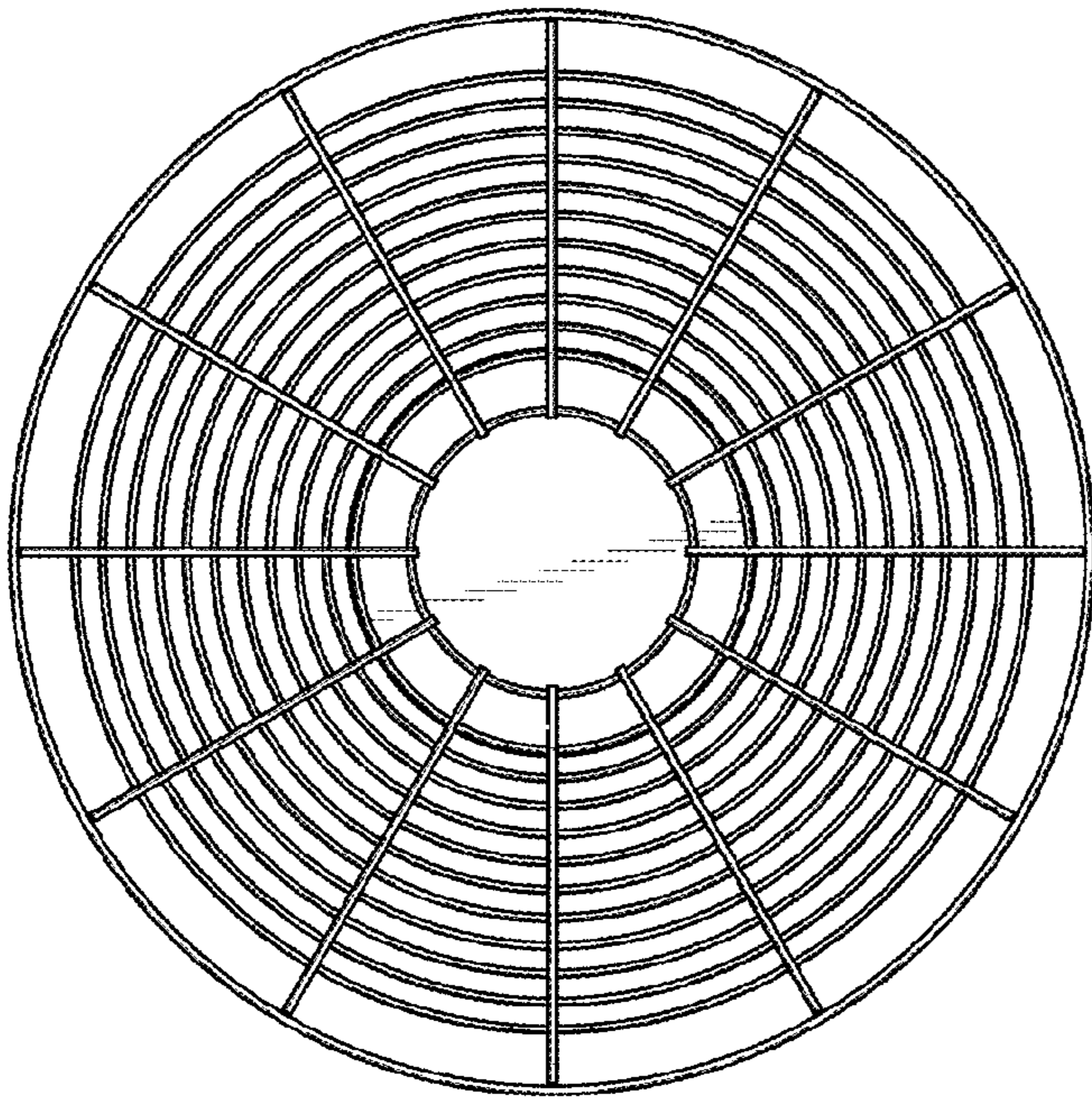


FIG. 8

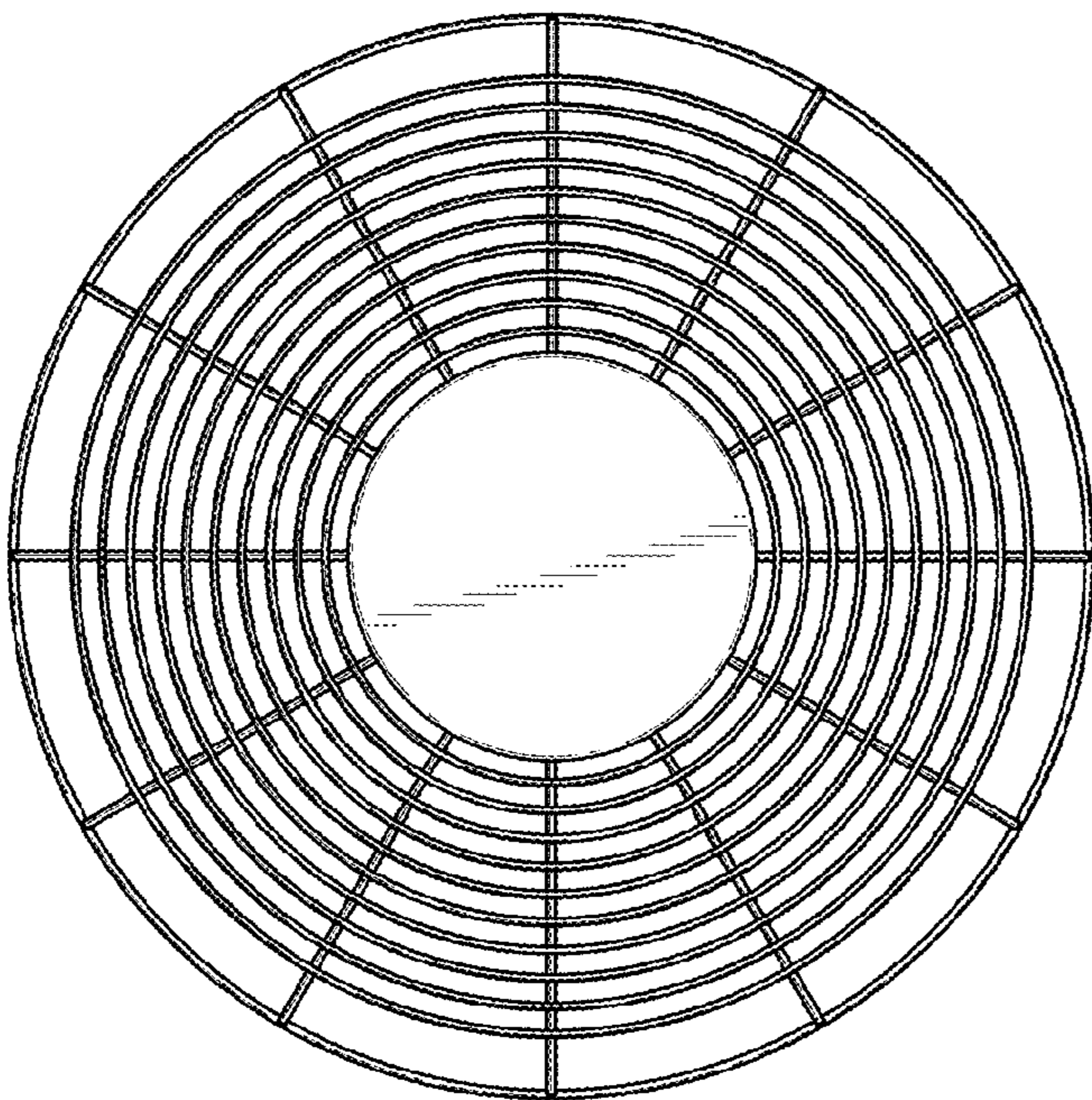


FIG. 7

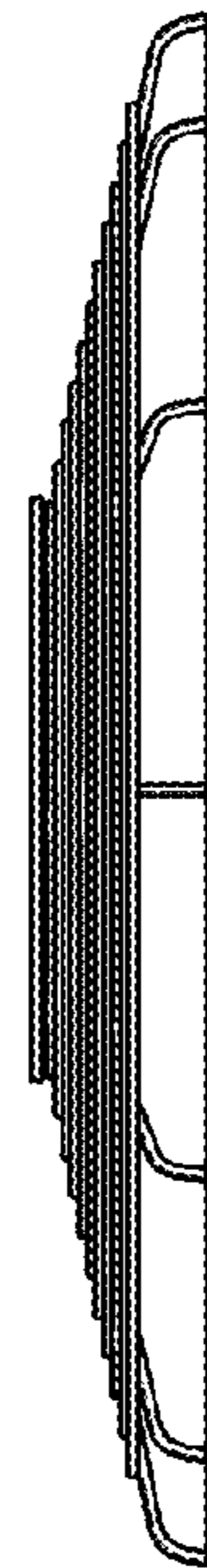


FIG. 9

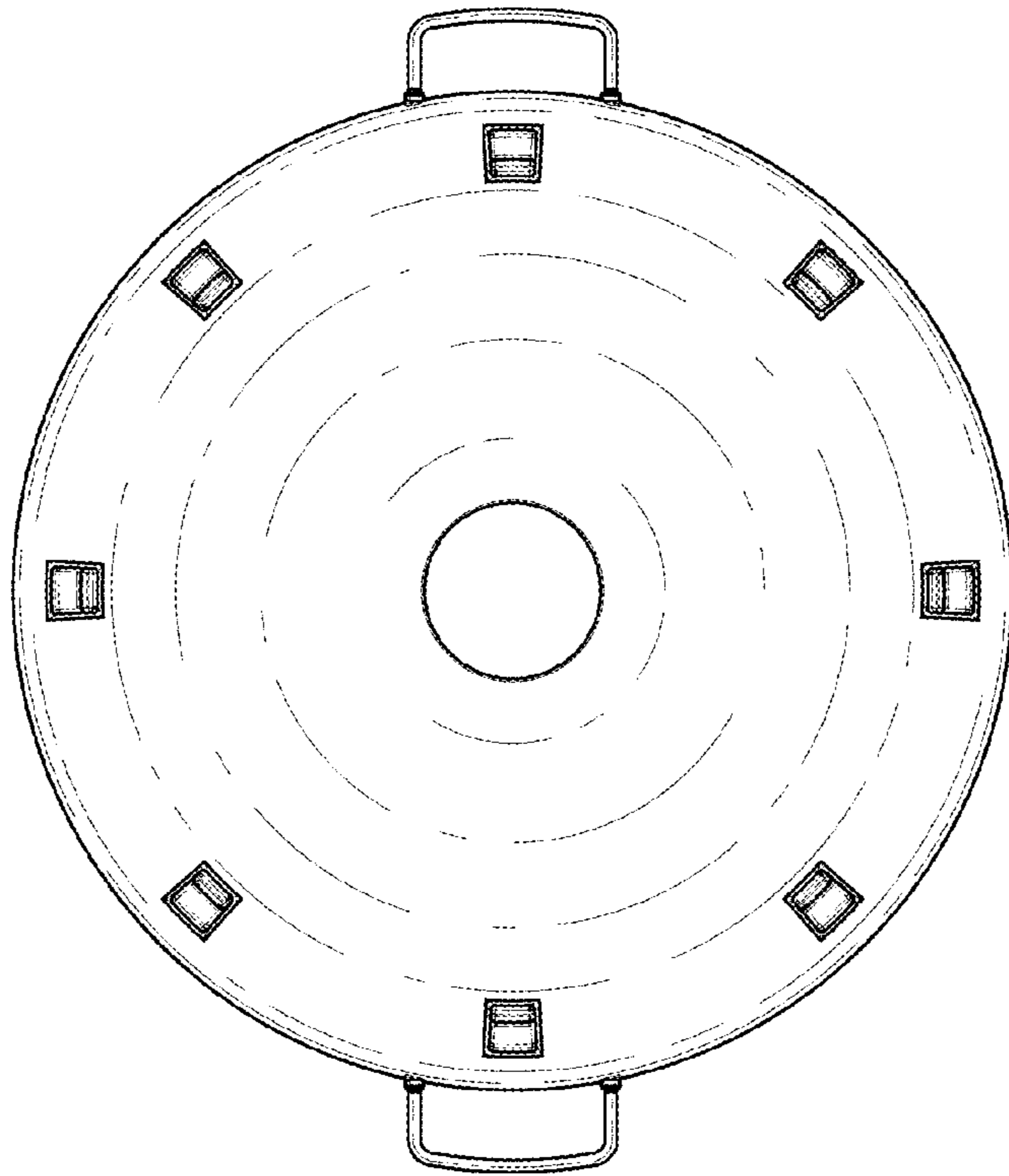


FIG. 11

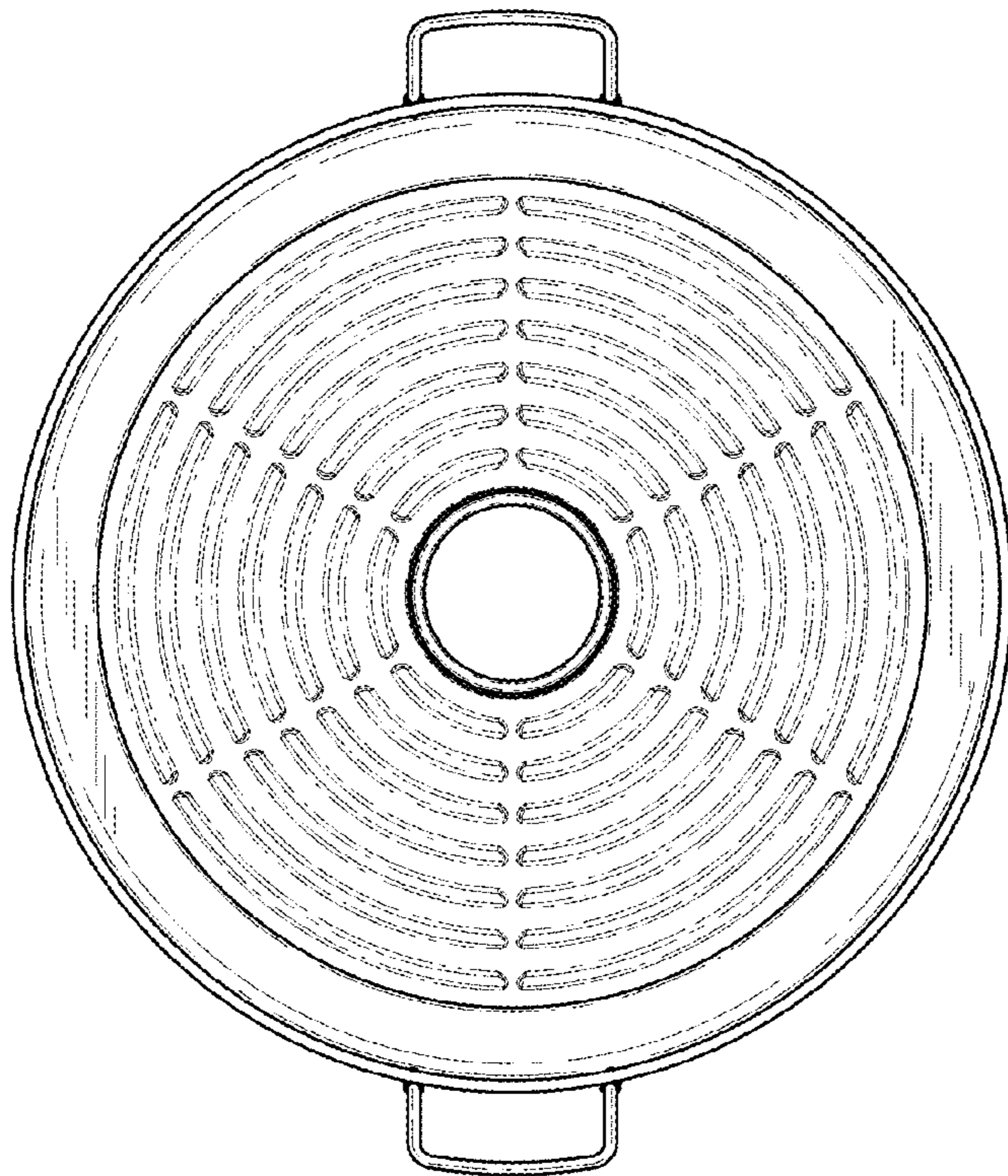


FIG. 10

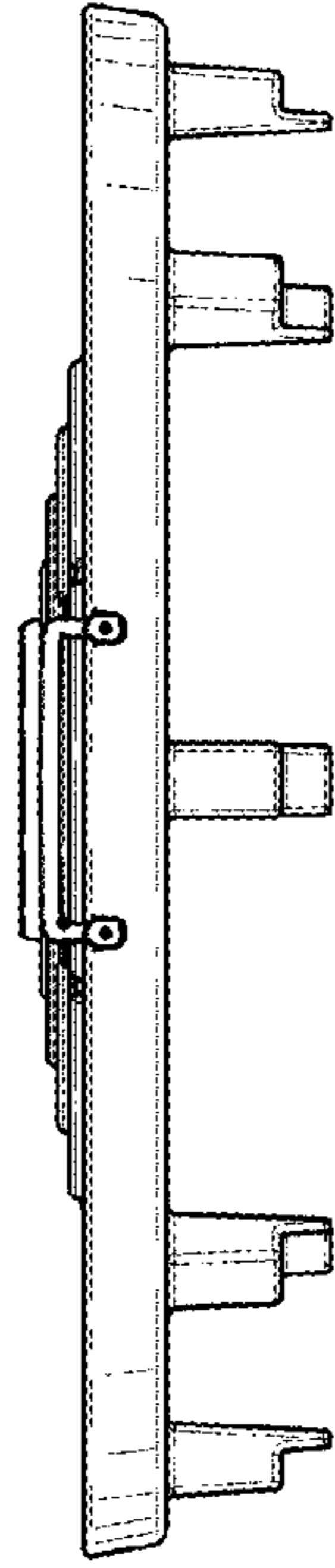


FIG. 13

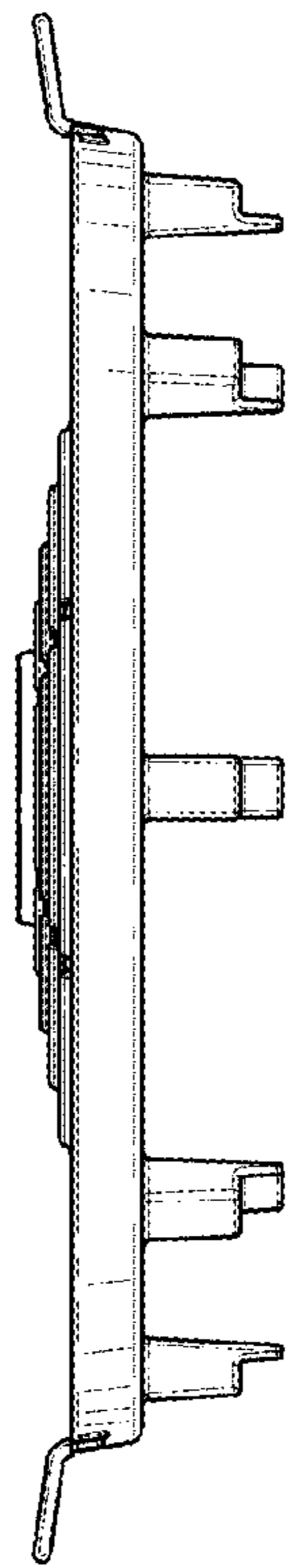


FIG. 12