



US00D695058S

(12) **United States Design Patent**  
**Garman**

(10) **Patent No.:** **US D695,058 S**

(45) **Date of Patent:** **\*\* Dec. 10, 2013**

(54) **SANDWICH MAKER**

(56) **References Cited**

(71) Applicant: **Hamilton Beach Brands, Inc.**, Glen Allen, VA (US)

U.S. PATENT DOCUMENTS

(72) Inventor: **Michael Garman**, Moseley, VA (US)

D199,747	S *	12/1964	Farber .....	D7/354
4,803,918	A	2/1989	Carbon	
4,967,650	A	11/1990	Weigle	
D347,356	S *	5/1994	Yim .....	D7/360
D348,805	S *	7/1994	Cautereels .....	D7/602
D380,341	S *	7/1997	Naft et al. ....	D7/354
D381,553	S *	7/1997	Candianides .....	D7/356
5,974,953	A *	11/1999	Messerli .....	99/340
5,983,784	A	11/1999	Goldberg	
D420,246	S *	2/2000	Alonge et al. ....	D7/360
D425,360	S *	5/2000	Dobson et al. ....	D7/360
D435,392	S *	12/2000	Jo .....	D7/356
D444,993	S *	7/2001	Dobson et al. ....	D7/354
6,498,323	B1 *	12/2002	Robertson et al. ....	219/433
D471,757	S *	3/2003	Kitamura et al. ....	D7/360
D480,908	S *	10/2003	Krasne .....	D7/354
6,772,678	B2	8/2004	Choi et al.	
7,005,616	B2	2/2006	Kim et al.	
D536,210	S *	2/2007	Yeung .....	D7/356
7,238,921	B2	7/2007	Beesley et al.	

(73) Assignee: **Hamilton Beach Brands, Inc.**, Glen Allen, VA (US)

(\*\*) Term: **14 Years**

(21) Appl. No.: **29/459,224**

(22) Filed: **Jun. 27, 2013**

**Related U.S. Application Data**

(60) Division of application No. 29/443,963, filed on Jan. 24, 2013, now Pat. No. Des. 688,513, which is a continuation of application No. 13/740,594, filed on Jan. 14, 2013.

(51) **LOC (9) Cl.** ..... **07-02**

(52) **U.S. Cl.**  
USPC ..... **D7/357; D7/354**

(58) **Field of Classification Search**  
USPC ..... D7/307, 323, 329-332, 339, 346-347, D7/350.1-350.4, 353-367, 391, 393, 395, D7/402, 406, 409, 538, 542; 99/324-325, 99/331-332, 337-343, 369, 400-418, 422, 99/425, 444, 451, 483; 126/37 R, 261, 126/374.1, 378.1; 206/501-505, 507-508; 219/400, 405, 429-442, 620-624, 725, 219/730-735; 220/4.21, 203.05, 203.07, 220/203.09, 298, 315-316, 321, 220/573.1-573.5, 772, 912; 426/438, 441

See application file for complete search history.

(Continued)

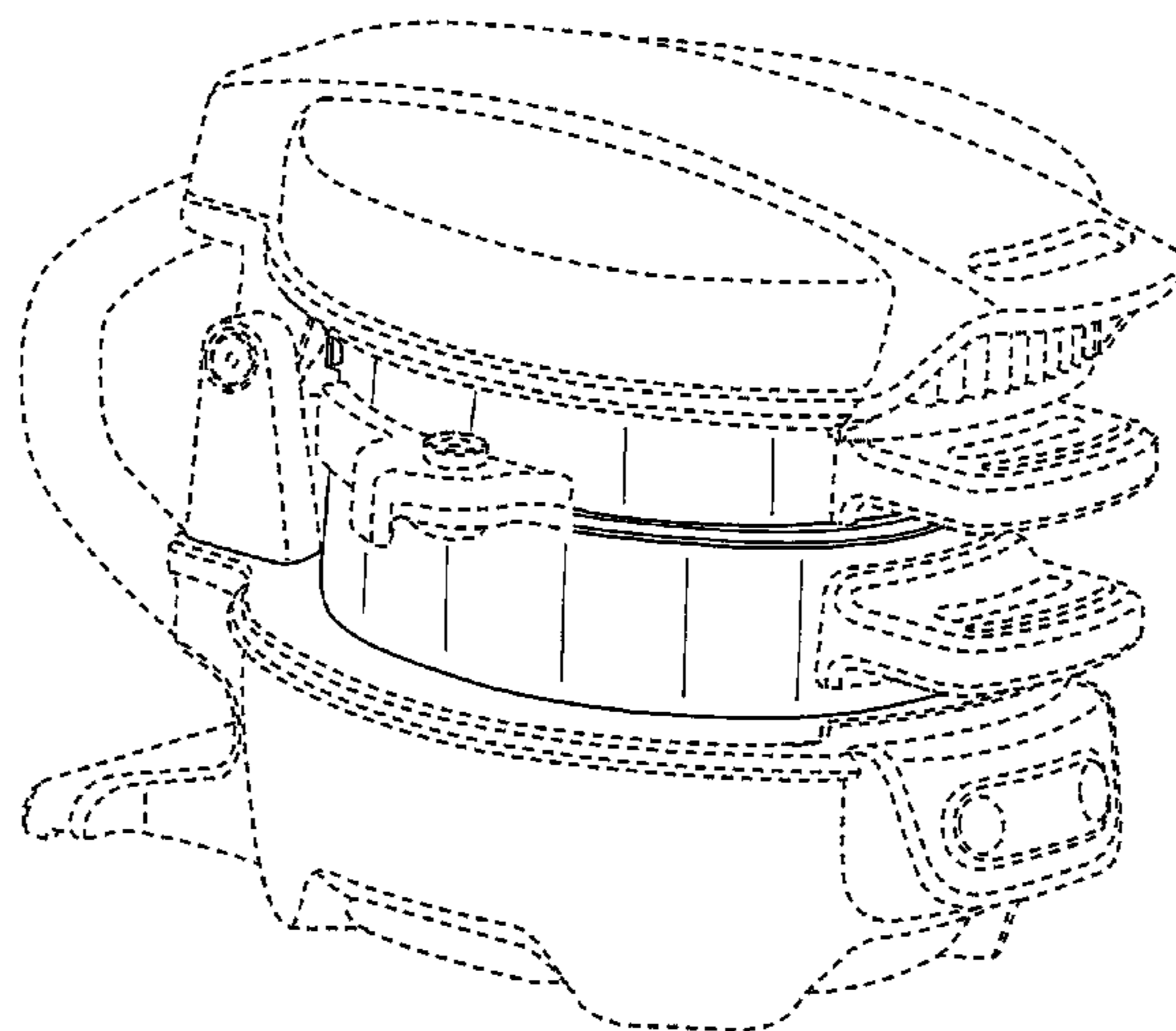
*Primary Examiner* — Ricky Pham  
(74) *Attorney, Agent, or Firm* — Alexander D. Raring

(57) **CLAIM**  
The ornamental design for a sandwich maker, as shown and described.

**DESCRIPTION**

FIG. 1 is a perspective view as seen from the top, front and left side of a sandwich maker;  
FIG. 2 is a perspective view of the same;  
FIG. 3 is a front view thereof;  
FIG. 4 is a rear view thereof;  
FIG. 5 is a right side view thereof;  
FIG. 6 is a left side view thereof;  
FIG. 7 is a top view thereof; and,  
FIG. 8 is a bottom view thereof.  
The broken lines in the drawings are included for illustrative purposes only and form no part of the claimed design.

**1 Claim, 8 Drawing Sheets**



(56)

**References Cited**

U.S. PATENT DOCUMENTS

7,250,587 B2 7/2007 Ely et al.  
7,250,588 B2 7/2007 Ely et al.  
7,467,583 B2 12/2008 Lam  
D606,803 S \* 12/2009 Picozza et al. .... D7/354  
D632,130 S \* 2/2011 Tetreault et al. .... D7/357  
D635,818 S \* 4/2011 Tse ..... D7/357  
D635,819 S \* 4/2011 Molayem ..... D7/357

D641,201 S \* 7/2011 Molayem ..... D7/356  
D657,993 S \* 4/2012 Pantaleo ..... D7/357  
D662,352 S \* 6/2012 Josancy ..... D7/357  
D682,009 S \* 5/2013 Day et al. .... D7/354  
D682,010 S \* 5/2013 Stith ..... D7/356  
D688,513 S \* 8/2013 Garman ..... D7/352  
2004/0079747 A1 \* 4/2004 Wang ..... 219/438  
2007/0210062 A1 \* 9/2007 Gaynor et al. .... 219/442  
2008/0105137 A1 5/2008 Genslak et al.  
2009/0139412 A1 6/2009 Zhan

\* cited by examiner

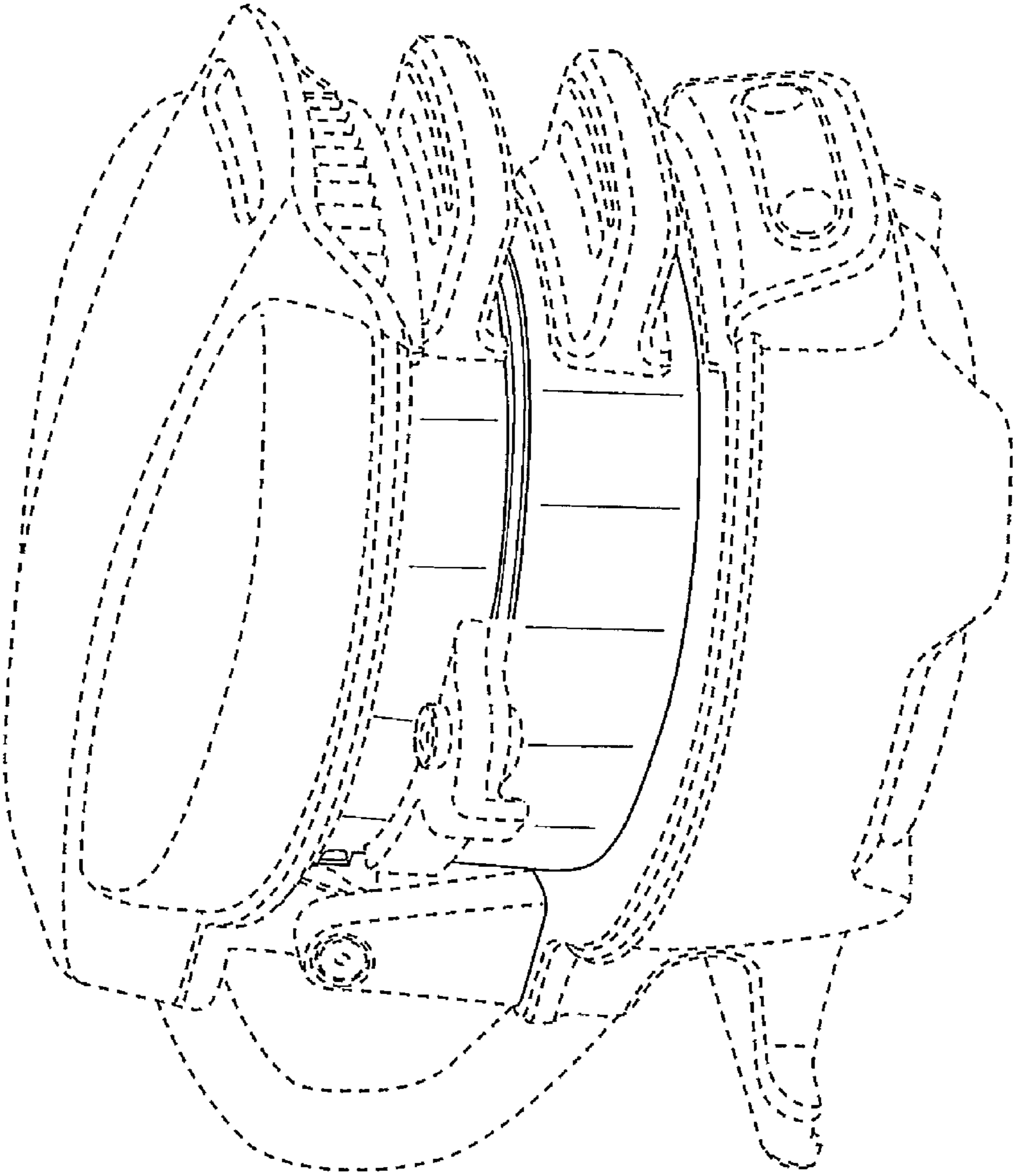


FIG. 1

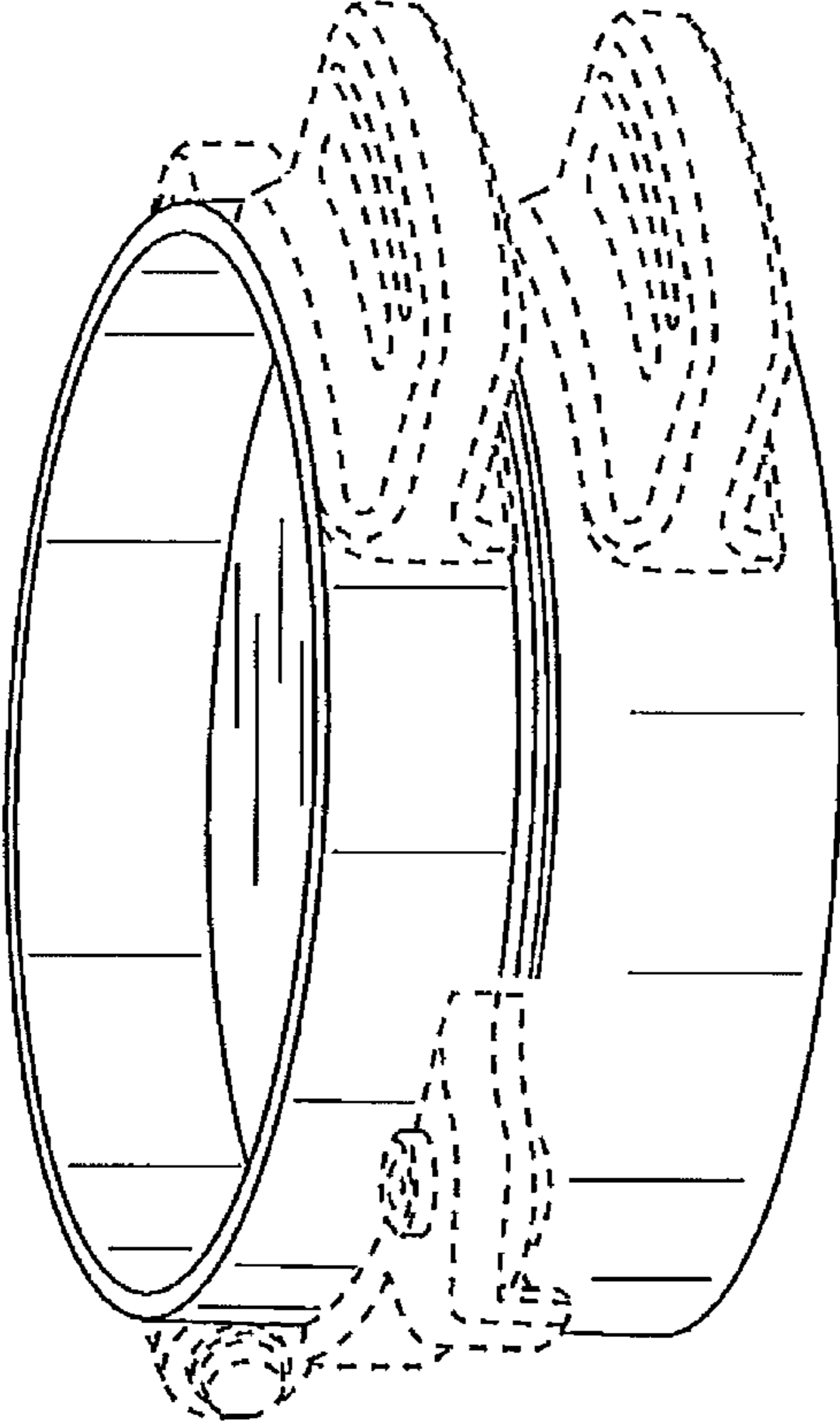


FIG. 2

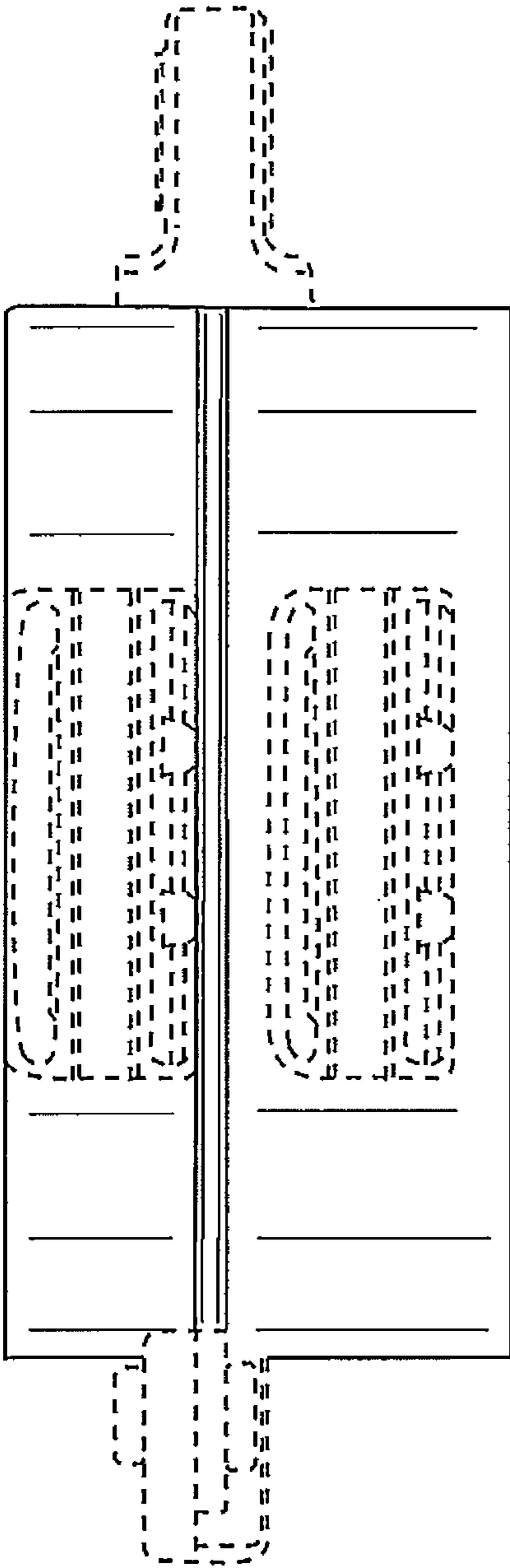


FIG. 3

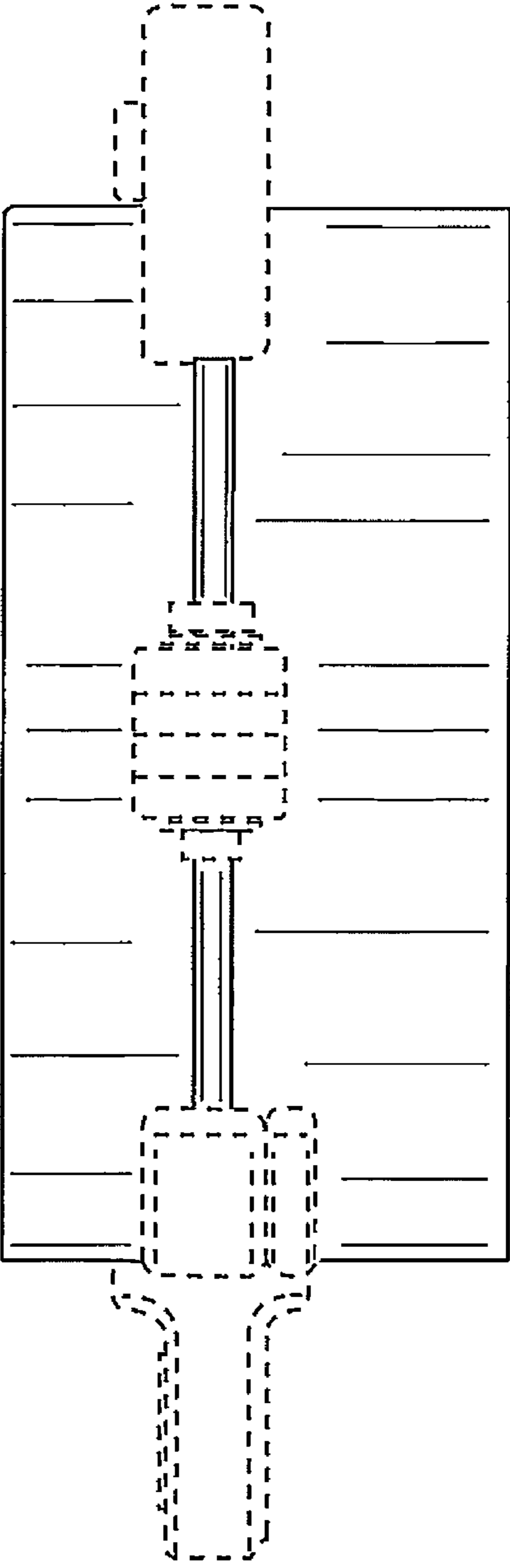


FIG. 4

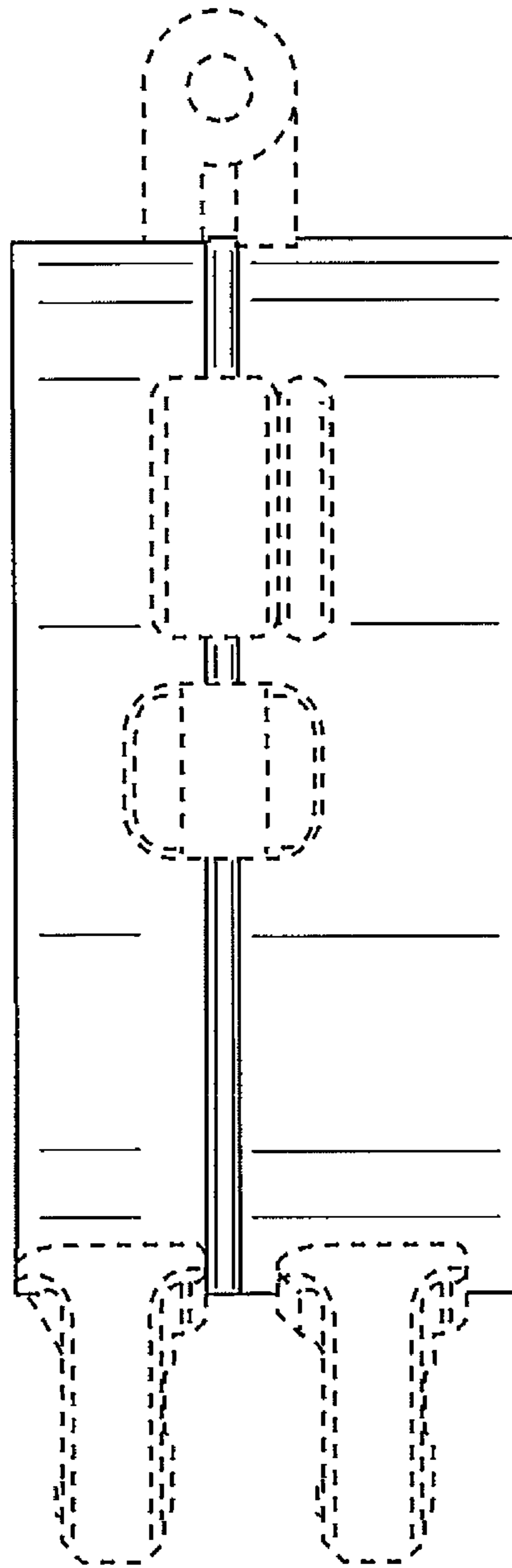


FIG. 5

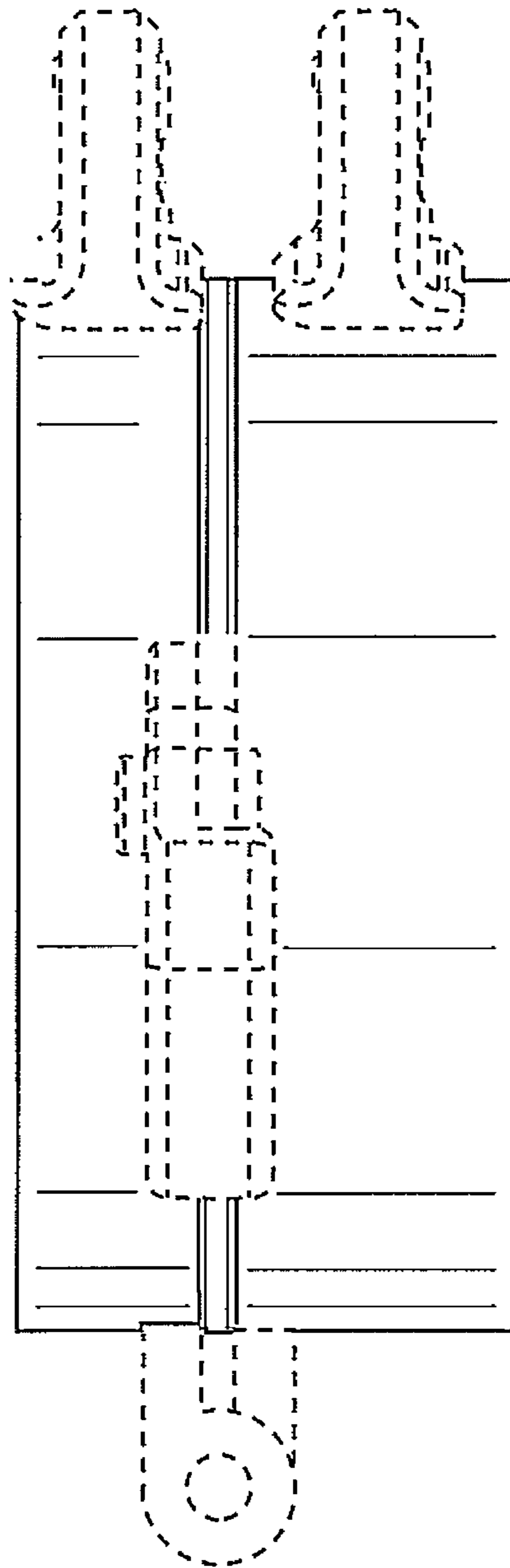


FIG. 6



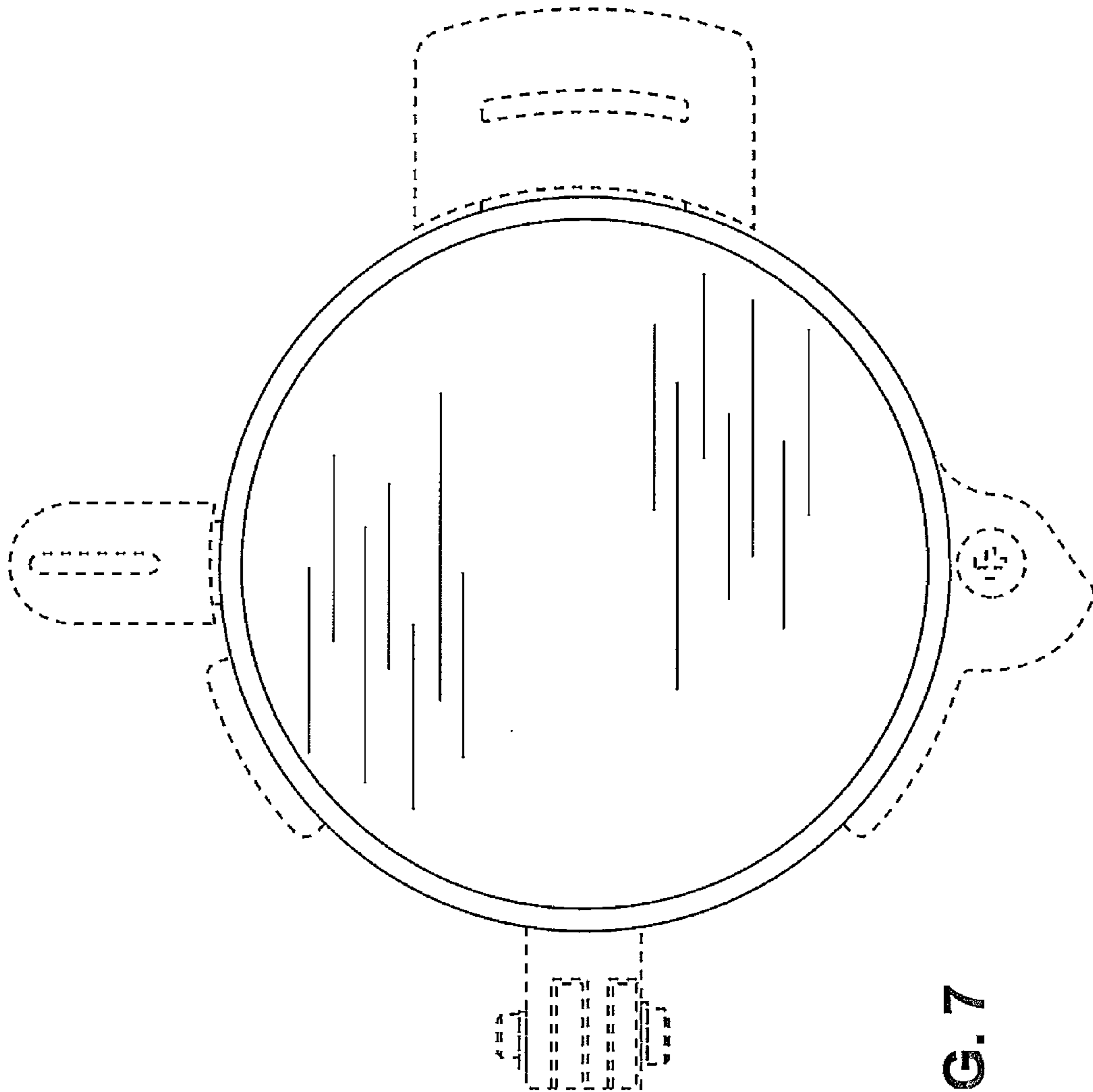


FIG. 7

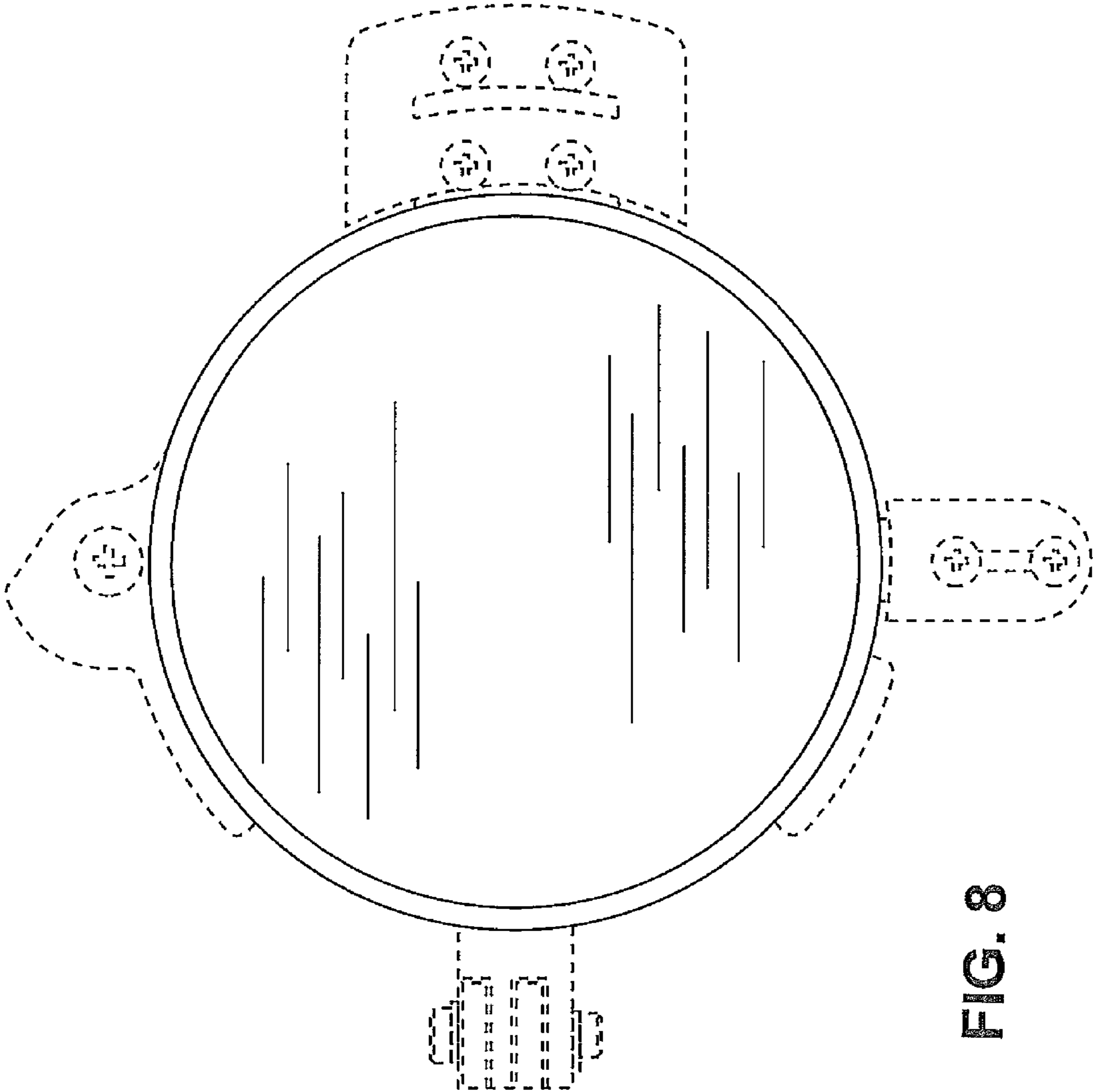


FIG. 8