



US00D695057S

(12) **United States Design Patent**  
**DiFante**

(10) **Patent No.:** **US D695,057 S**

(45) **Date of Patent:** **\*\* Dec. 10, 2013**

(54) **RECTANGULAR MULTI-COOKER**

(71) Applicant: **Agostino DiFante**, San Clemente, CA  
(US)

(72) Inventor: **Agostino DiFante**, San Clemente, CA  
(US)

(\*\*) Term: **14 Years**

(21) Appl. No.: **29/442,387**

(22) Filed: **Feb. 21, 2013**

(51) **LOC (9) Cl.** ..... **07-02**

(52) **U.S. Cl.**  
USPC ..... **D7/356; D7/354**

(58) **Field of Classification Search**

USPC ..... D7/323, 329–332, 337–339, 346–347,  
D7/350.1–350.4, 353–367, 391–395,  
D7/402–406, 538, 542–543, 665;  
99/324–327, 330–343, 369, 366,  
99/400–418, 422, 425, 444, 483; 126/37 R,  
126/41 R, 261, 378.1; 177/144;  
219/386–387, 400, 405, 429–442,  
219/452.11, 521–525, 620–624, 725,  
219/730–735; 220/23.88, 314–315, 485,  
220/573.1–573.5, 592.16, 912; 426/438,  
426/441, 523

See application file for complete search history.

(56) **References Cited**

**U.S. PATENT DOCUMENTS**

2,593,392 A \* 4/1952 Budlane et al. .... 99/331  
3,071,064 A \* 1/1963 Horvath ..... 99/336  
3,217,633 A \* 11/1965 Anetsberger ..... 99/327  
3,242,849 A \* 3/1966 Wells ..... 99/411  
3,331,309 A \* 7/1967 Proffitt ..... 99/411  
3,525,299 A \* 8/1970 Gouwens et al. .... 99/336  
3,960,137 A \* 6/1976 Schmid ..... 126/387.1  
D242,947 S \* 1/1977 Graham ..... D7/354  
4,542,685 A \* 9/1985 Wilson ..... 99/413  
4,574,183 A \* 3/1986 Knauss ..... 219/438  
4,704,290 A \* 11/1987 Fritzsche ..... 426/438

4,854,227 A \* 8/1989 Koopman ..... 99/416  
5,033,369 A \* 7/1991 Wu ..... 99/408  
5,146,843 A \* 9/1992 Fuller et al. .... 99/483  
5,385,084 A \* 1/1995 Laibson ..... 99/411  
5,544,567 A \* 8/1996 Davis et al. .... 99/336

(Continued)

*Primary Examiner* — Ricky Pham

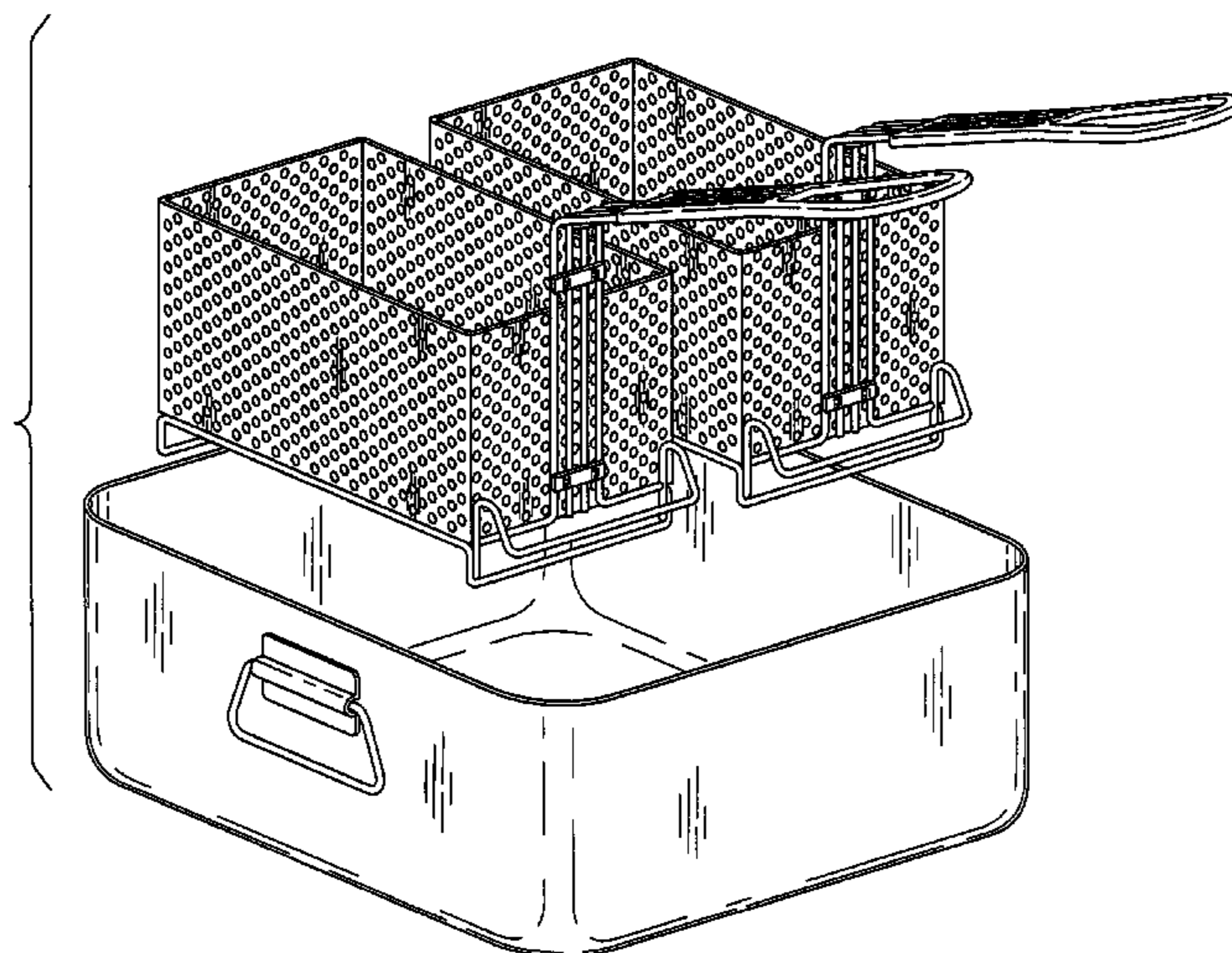
(57) **CLAIM**

The ornamental design for a rectangular multi-cooker, as shown and described.

**DESCRIPTION**

FIG. 1 is an exploded perspective view of a rectangular multi-cooker showing my new design;  
FIG. 2 is a perspective view of the assembled rectangular multi-cooker of my new design with the strainers inserted;  
FIG. 3 is a right side elevational view of the assembled rectangular multi-cooker of my design with the strainers inserted, the left elevational view being a mirror image thereof;  
FIG. 4 is a rear elevational view of the assembled rectangular multi-cooker of my design with the strainers inserted;  
FIG. 5 is a front elevational view of the assembled rectangular multi-cooker of my design with the strainers inserted;  
FIG. 6 is a top plan view of the assembled rectangular multi-cooker of my design with the strainers inserted;  
FIG. 7 is a bottom plan view of the assembled rectangular multi-cooker of my design with the strainers inserted;  
FIG. 8 is a back elevational view of the strainer of my design; shown separately for clarity and completeness of disclosure;  
FIG. 9 is a front elevational view of the strainer of my design thereof;  
FIG. 10 is a right side elevational view of the strainer of my design thereof, the left side elevational view being a mirror image;  
FIG. 11 is a top plan view of the strainer of my design thereof;  
FIG. 12 is a bottom plan view of the strainer of my design thereof; and,  
FIG. 13 is a plan view of two assembled rectangular multi-cooker side by side with the strainers inserted.

**1 Claim, 10 Drawing Sheets**



(56)

**References Cited**

U.S. PATENT DOCUMENTS

5,746,117	A *	5/1998	Chang	.....	99/407	7,341,162	B2 *	3/2008	Svabek et al.	.....	220/485
5,811,740	A *	9/1998	Hamilton, Sr.	.....	177/144	7,500,427	B2 *	3/2009	Rosenzweig	.....	99/407
5,992,306	A *	11/1999	Chiang	.....	99/411	7,938,285	B2 *	5/2011	Raichlen et al.	.....	220/23.88
7,100,497	B2 *	9/2006	Shandross	.....	99/330	8,065,954	B2 *	11/2011	Foster et al.	.....	99/336
						8,133,520	B2 *	3/2012	Feinberg et al.	.....	426/438

\* cited by examiner

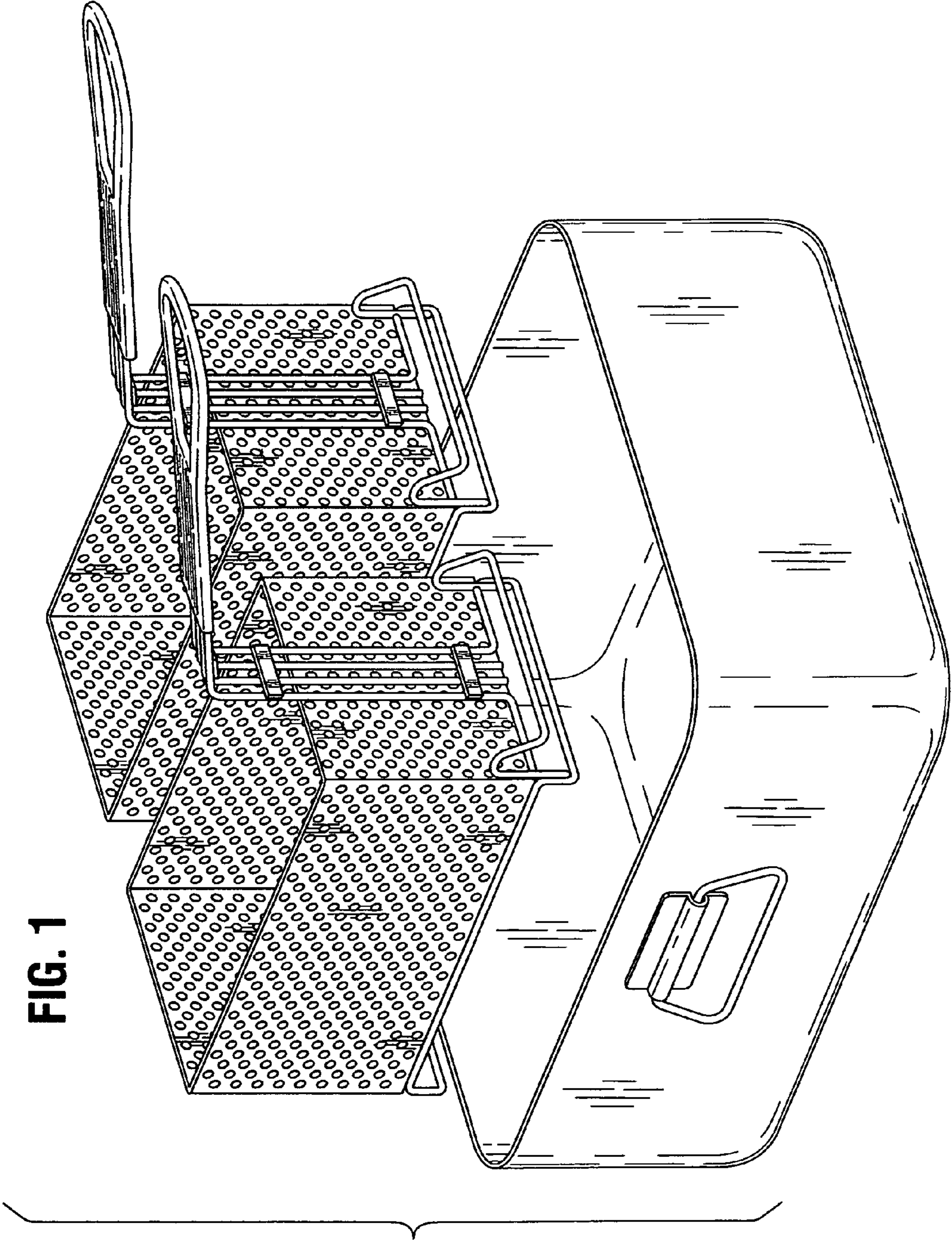
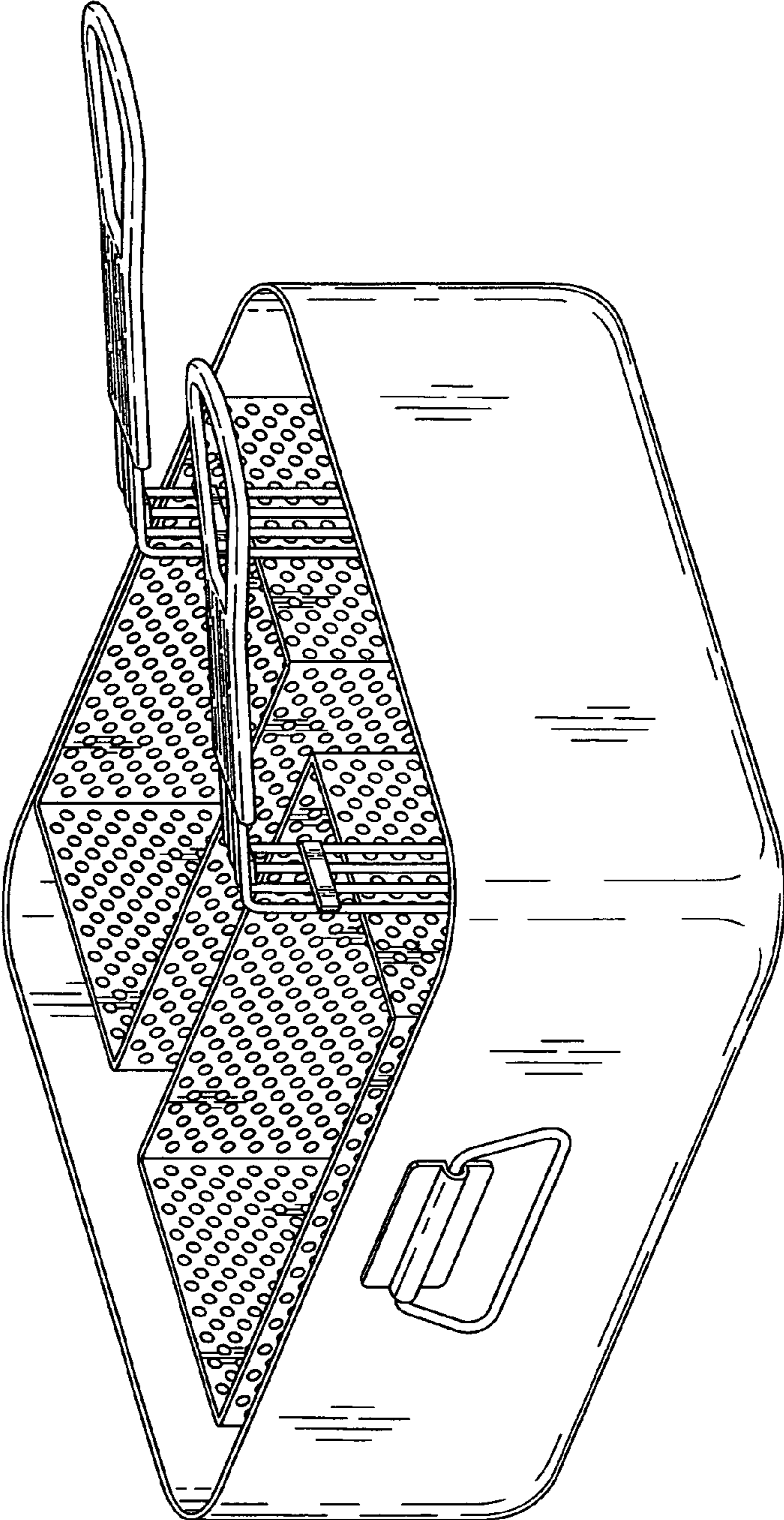


FIG. 1

FIG. 2



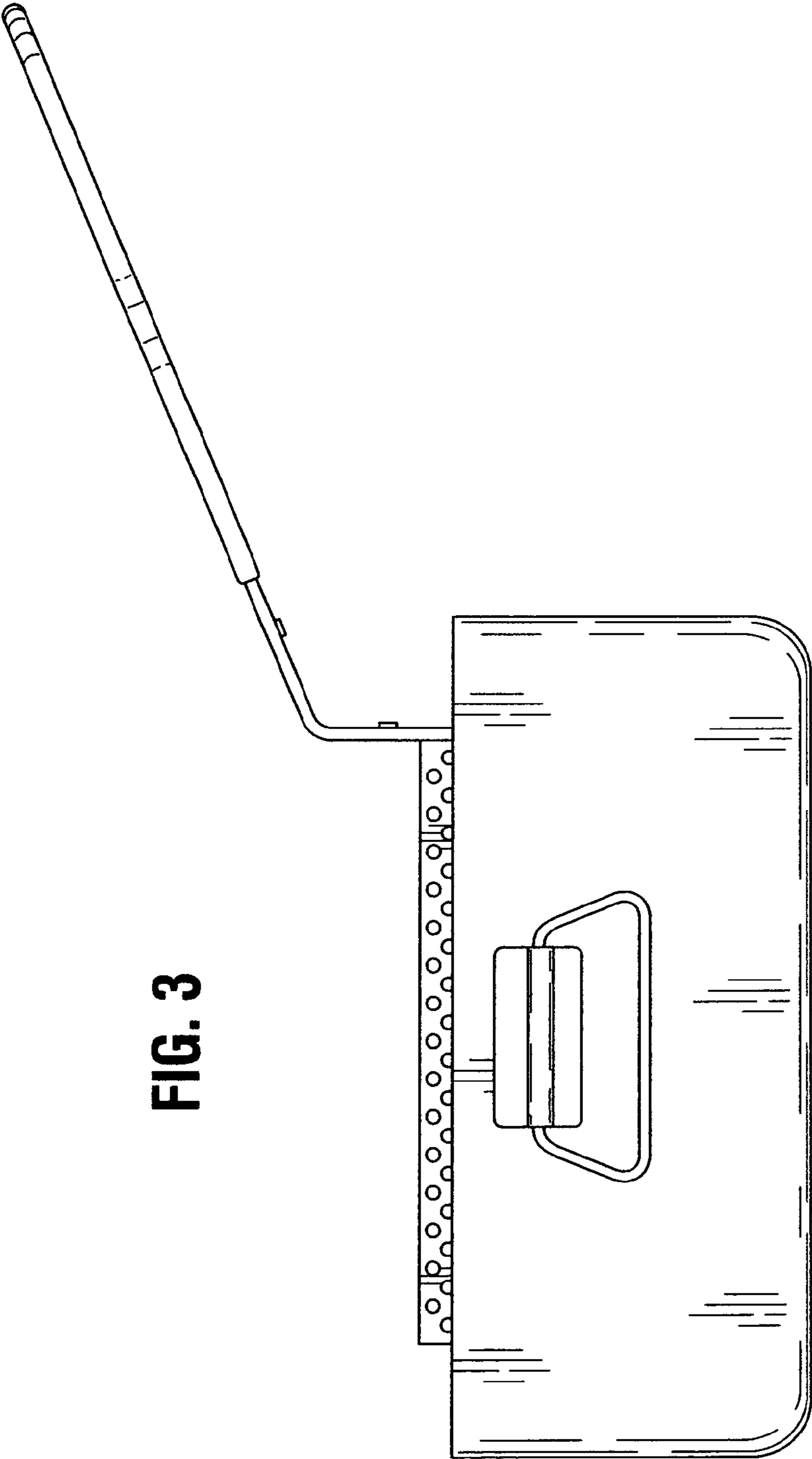
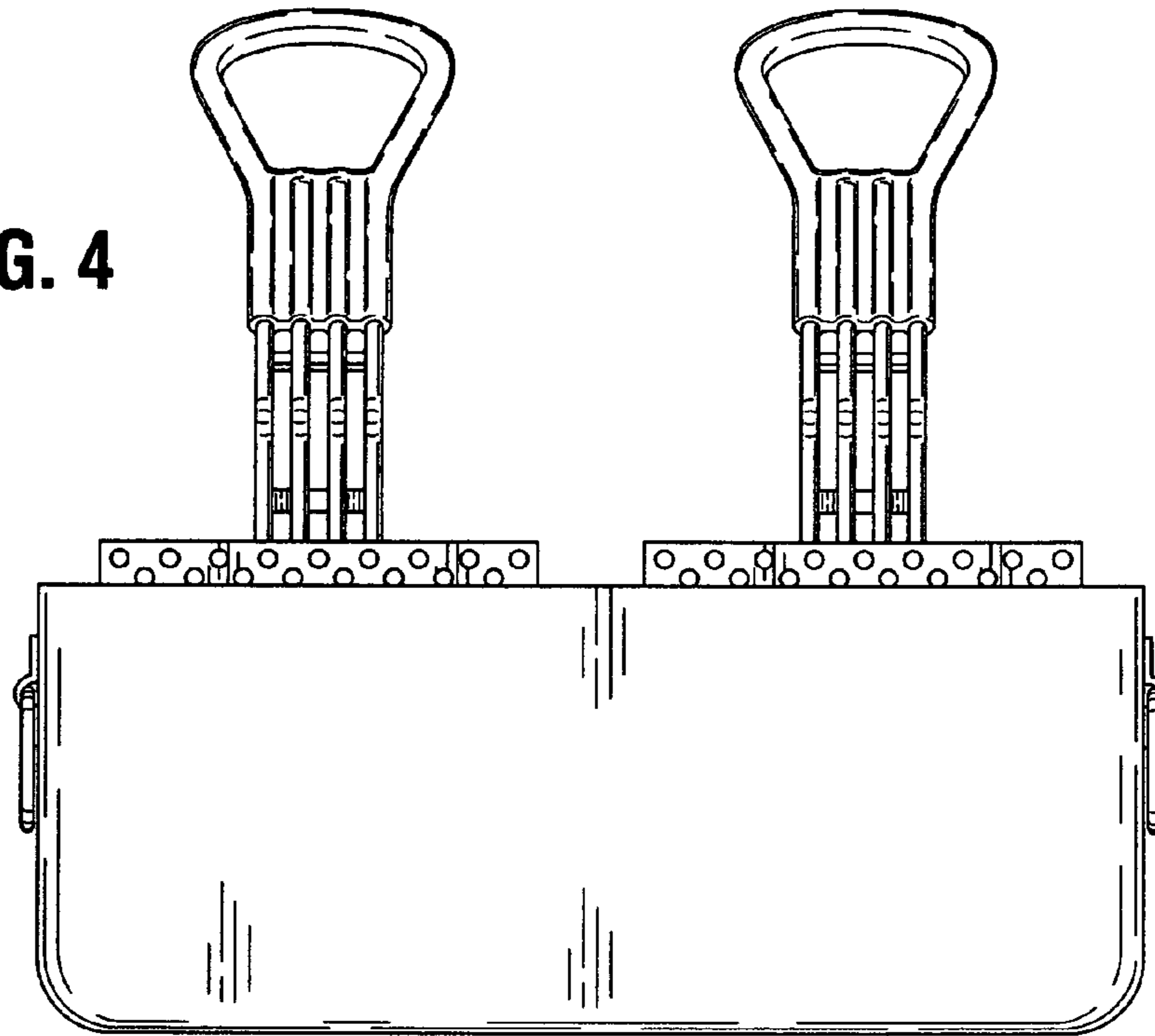


FIG. 3

**FIG. 4**



**FIG. 5**

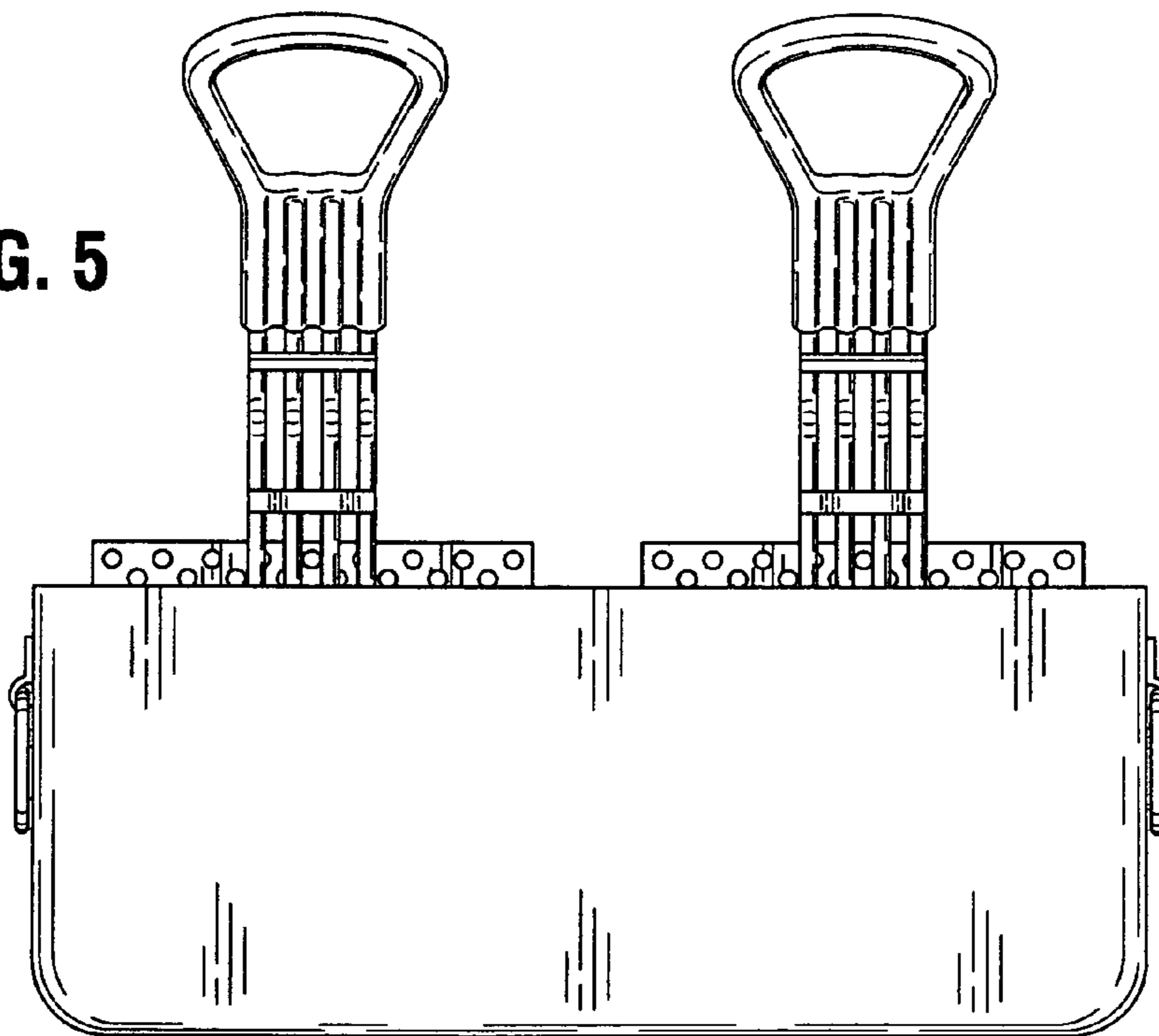


FIG. 6

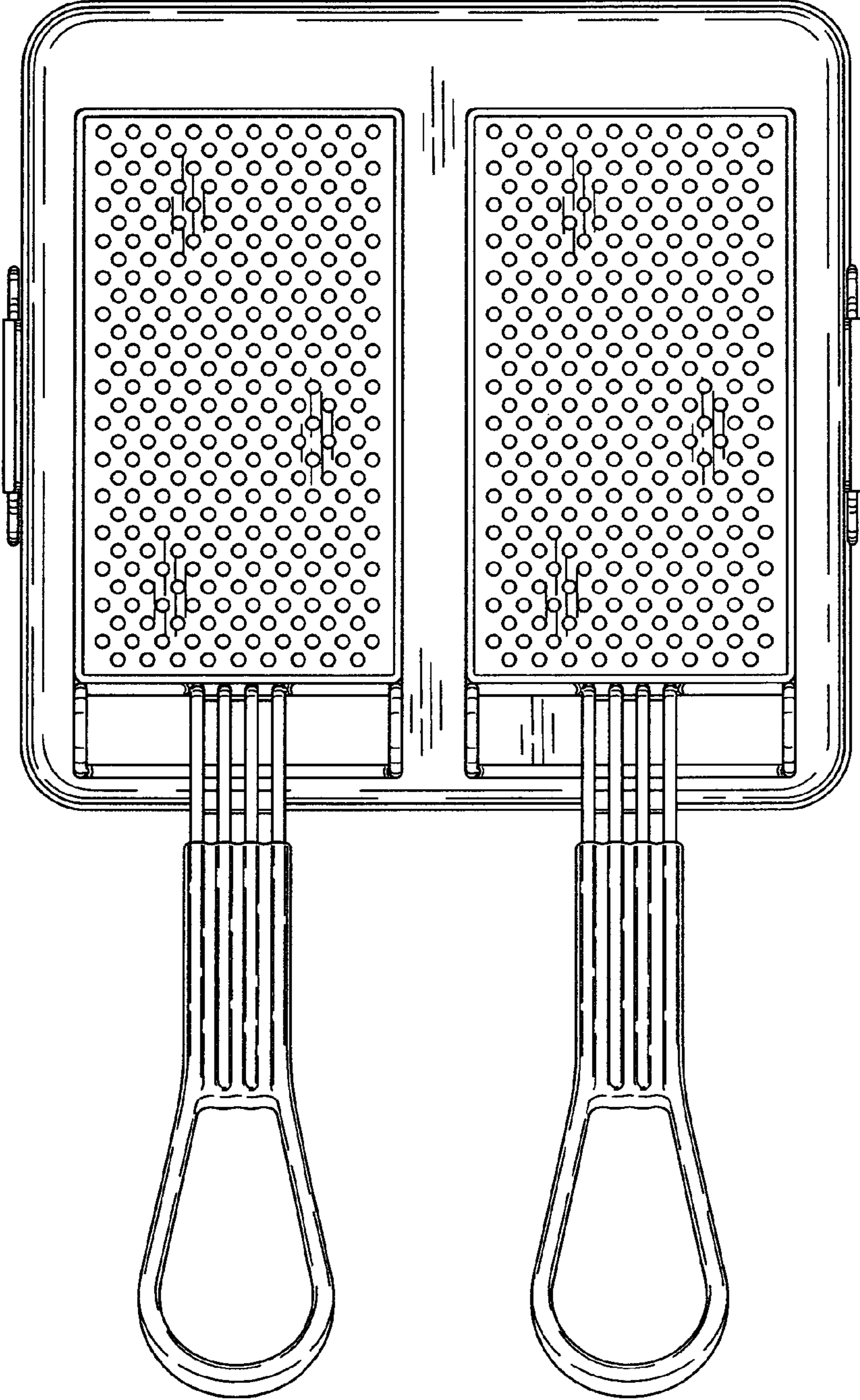


FIG. 7

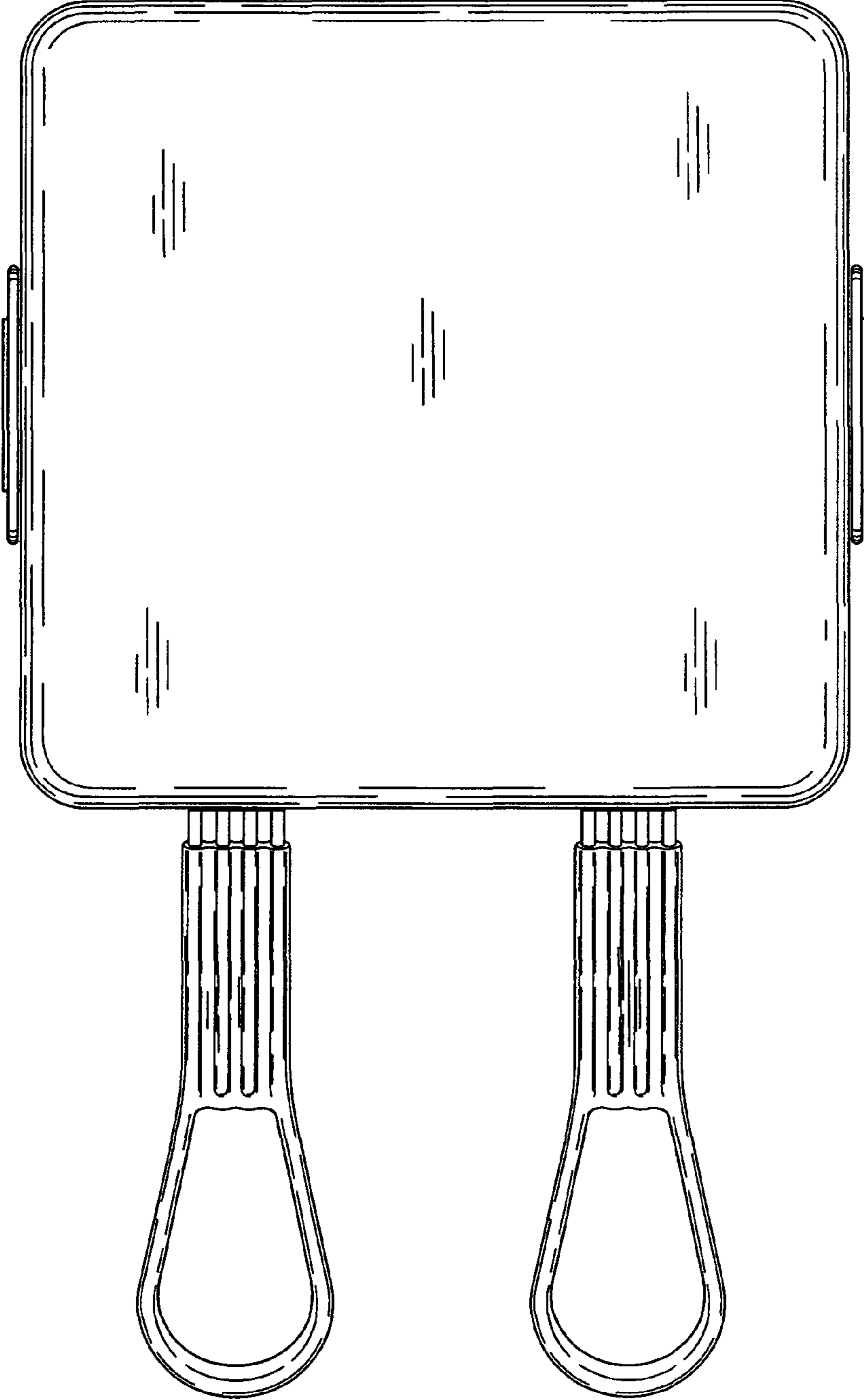




FIG. 8

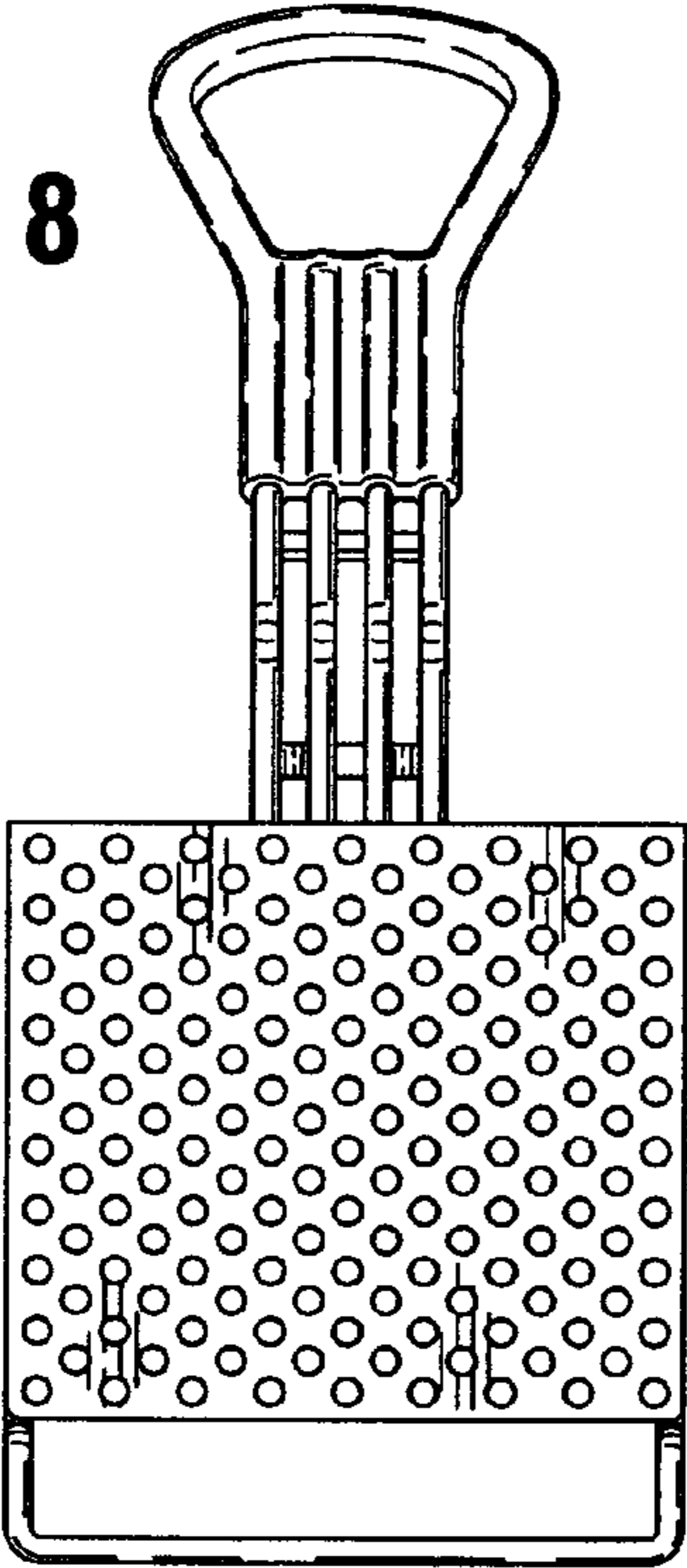
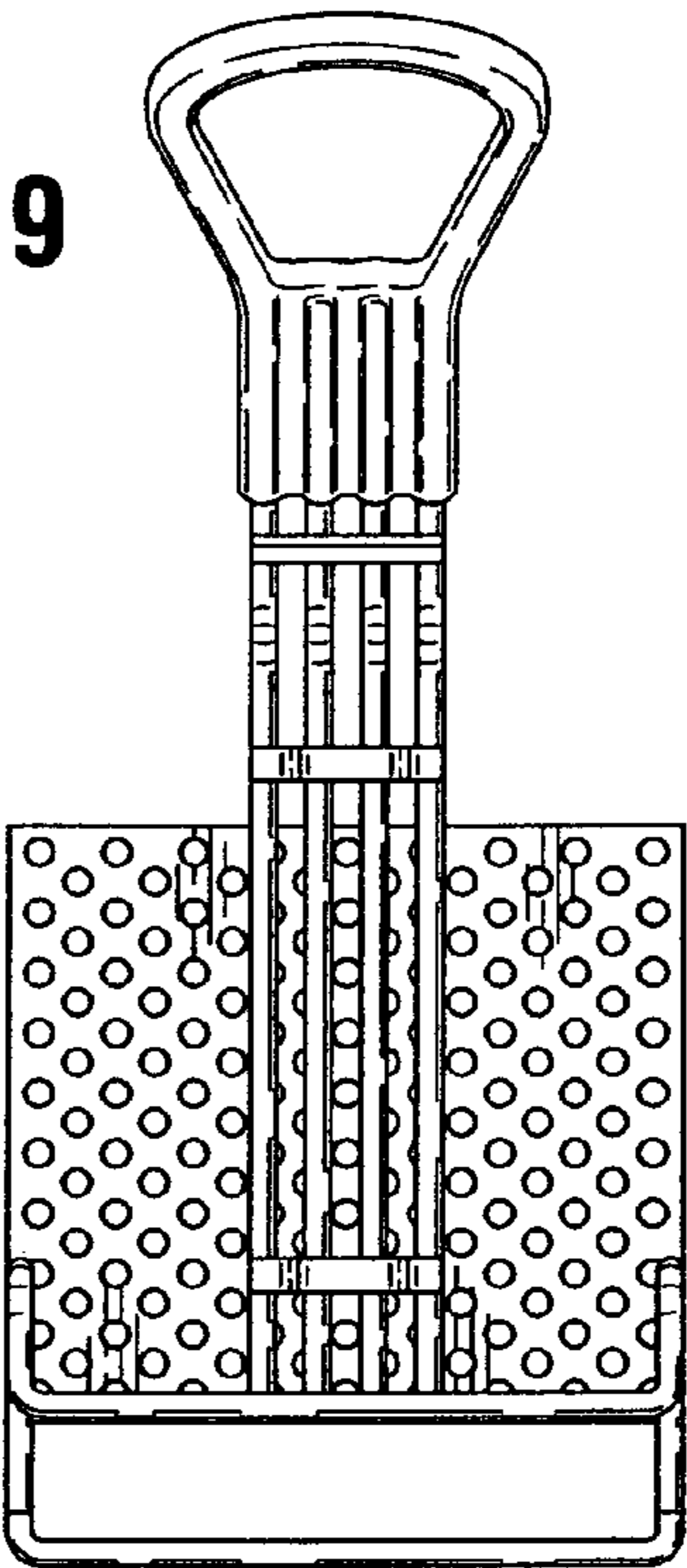


FIG. 9



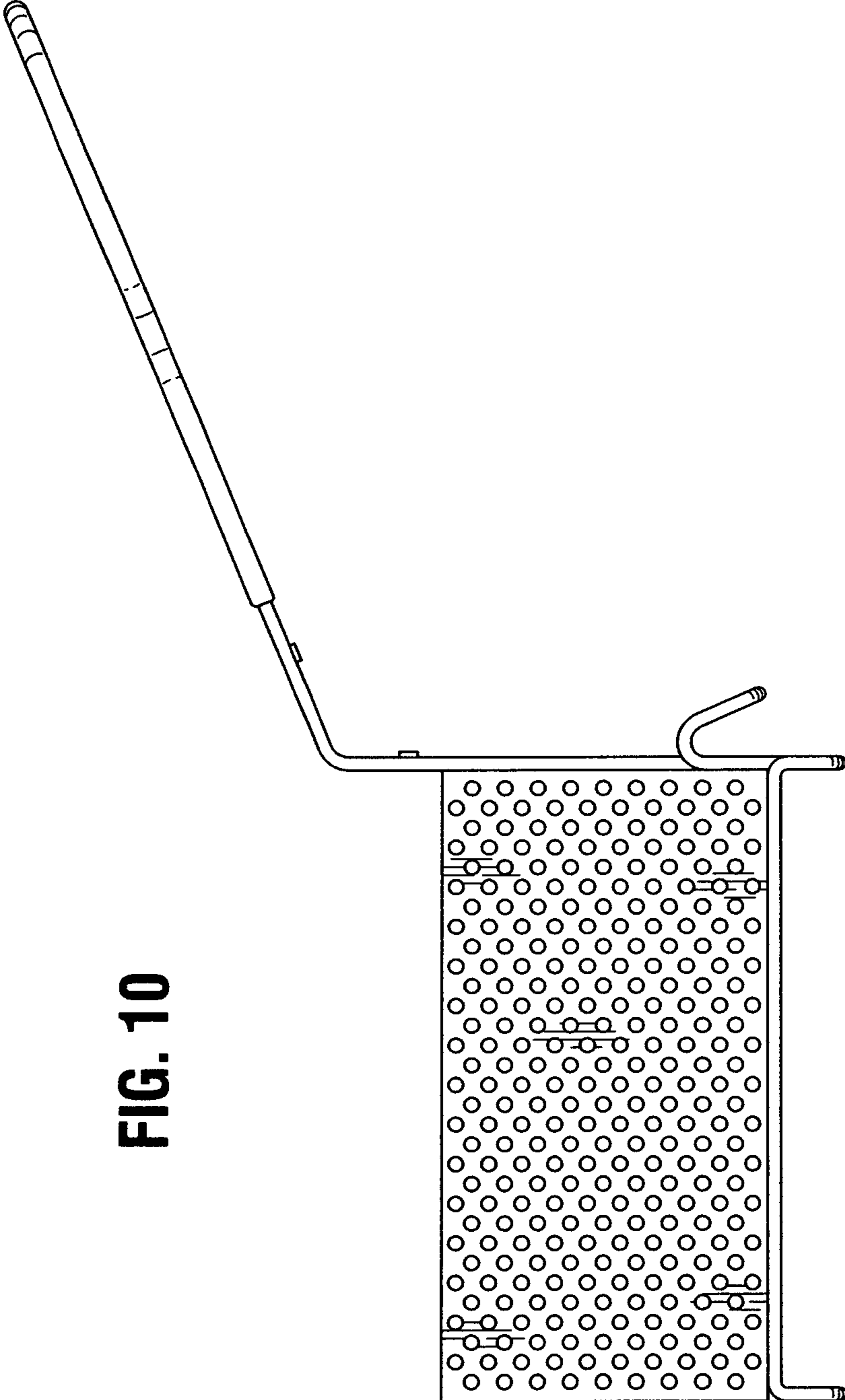
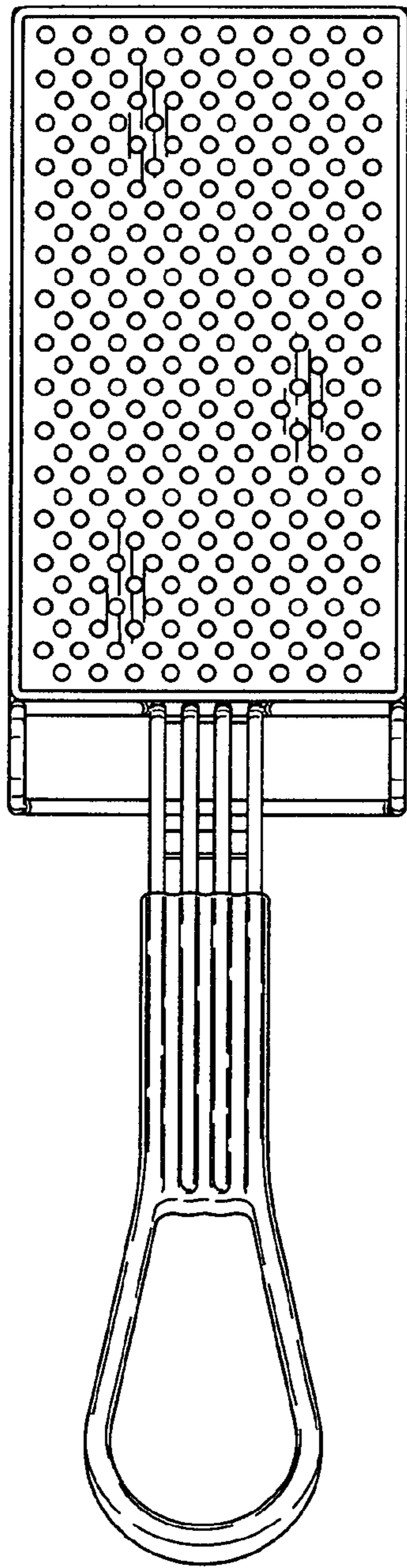


FIG. 10

**FIG. 11**



**FIG. 12**

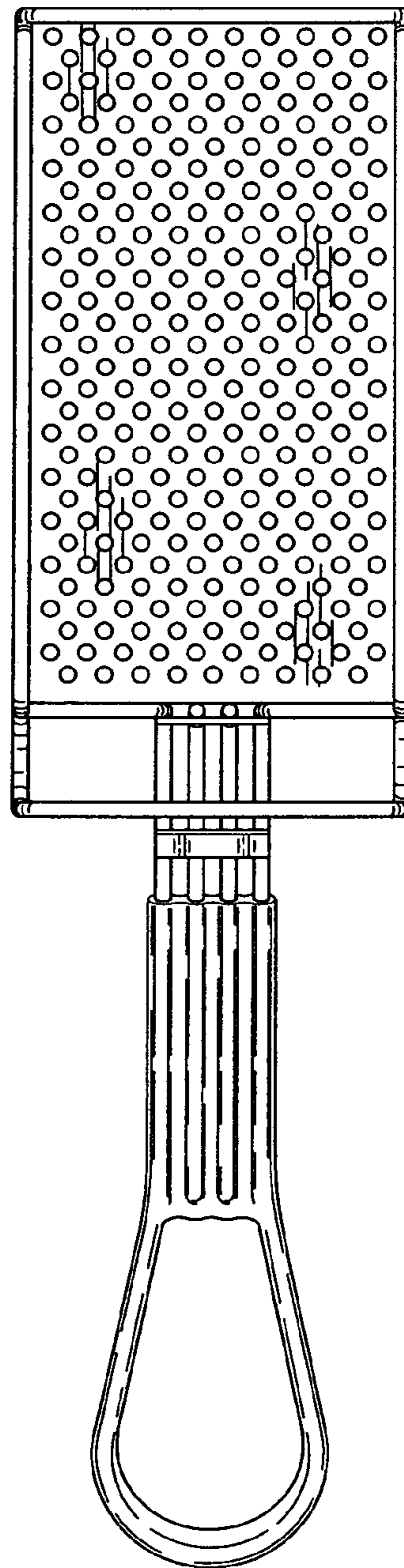


FIG. 13

