

US00D695056S

(12) **United States Design Patent**
Hundley

(10) **Patent No.:** **US D695,056 S**
(45) **Date of Patent:** **** Dec. 10, 2013**

- (54) **FOODSERVICE EQUIPMENT**
- (71) Applicant: **The Vollrath Company, L.L.C.**,
Sheboygan, WI (US)
- (72) Inventor: **Jill E. Hundley**, Sheboygan, WI (US)
- (73) Assignee: **The Vollrath Company, L.L.C.**,
Sheboygan, WI (US)
- (**) Term: **14 Years**
- (21) Appl. No.: **29/439,582**
- (22) Filed: **Dec. 12, 2012**
- (51) **LOC (9) Cl.** **07-02**
- (52) **U.S. Cl.**
USPC **D7/354**
- (58) **Field of Classification Search**
USPC D7/307, 323, 329-332, 339, 346-347,
D7/350.1-350.4, 353-367, 391, 393, 395,
D7/402, 406, 409, 538, 542; 99/324-325,
99/331-332, 337-343, 369, 400-418, 422,
99/425, 444, 451, 483; 126/37 R, 261,
126/374.1, 378.1; 206/501-505, 507-508;
219/400, 405, 429-442, 620-624, 725,
219/730-735; 220/203.05, 203.07, 203.09,
220/298, 315-316, 573.1-573.5, 912;
426/438, 441
See application file for complete search history.

- D433,869 S 11/2000 Wong et al.
- D450,528 S 11/2001 Rossman
- 7,291,812 B2 11/2007 Kaney et al.
- D556,504 S 12/2007 Averty
- D566,457 S * 4/2008 Ryan D7/360
- D590,654 S 4/2009 Perkins et al.
- D598,700 S * 8/2009 Seymour D7/354
- D611,758 S * 3/2010 Seymour D7/354
- D618,040 S * 6/2010 Hoff et al. D7/356
- D635,393 S * 4/2011 Nakatani D7/360
- D641,202 S 7/2011 Bock et al.
- D642,422 S 8/2011 Averty
- D642,856 S 8/2011 Bock et al.
- D646,114 S 10/2011 Wong

(Continued)

OTHER PUBLICATIONS

Vollrath 2011-2012 Catalog, "Prep, Cook, Serve, Solved", 3-7 to 3-15, 3-20, 7-3 to 7-40, 49 pages.

Primary Examiner — Ricky Pham
(74) *Attorney, Agent, or Firm* — Foley & Ladner LLP

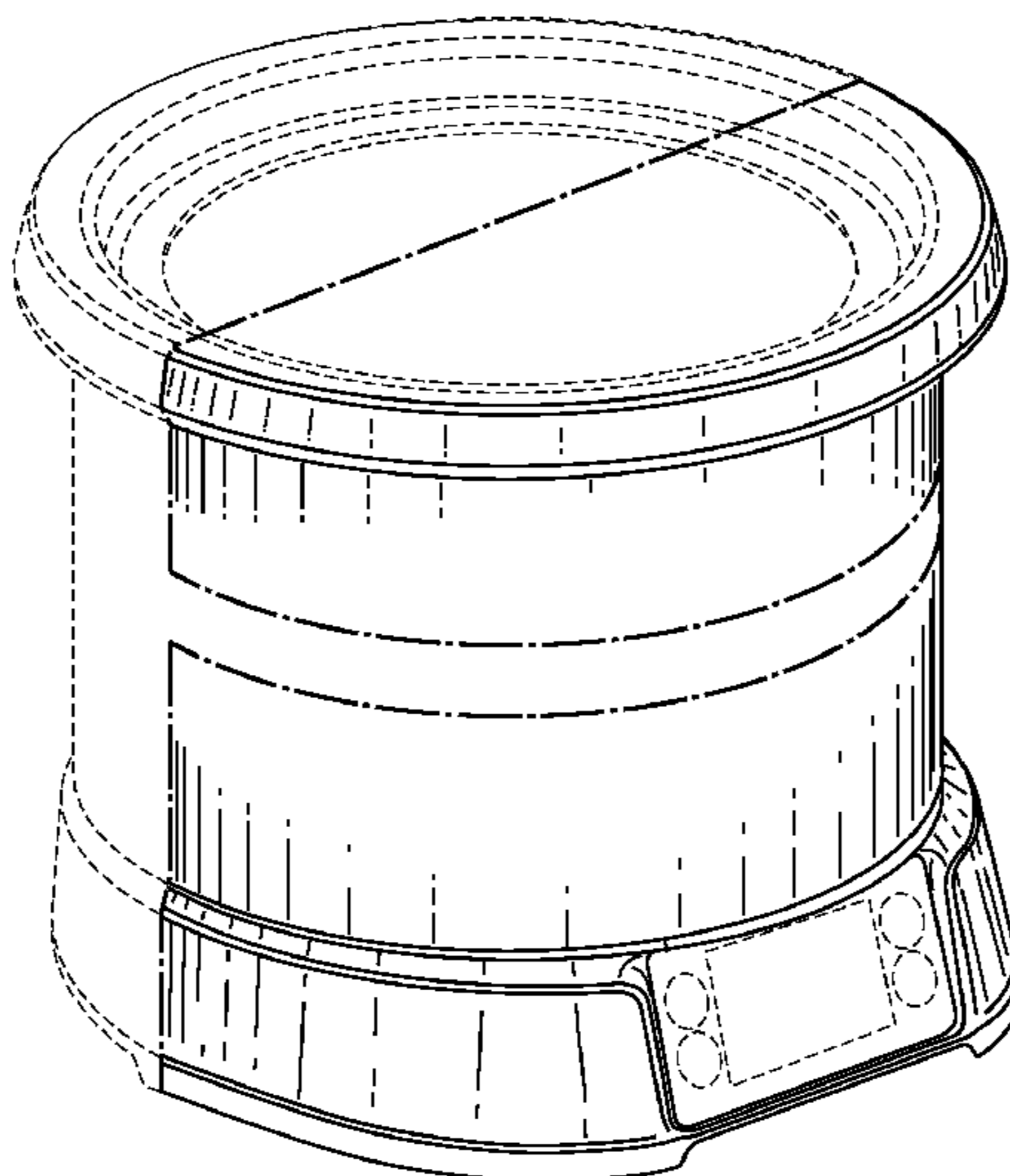
(57) **CLAIM**
I claim the ornamental design for foodservice equipment, as shown and described.

DESCRIPTION

FIG. 1 is a perspective view of a foodservice equipment of the claimed design;
FIG. 2 is a front view thereof
FIG. 3 is a right side view thereof, the left side view is a mirror image of the right side view;
FIG. 4 is a top view thereof; and,
FIG. 5 is a bottom view thereof.
The broken lines in the drawings are for illustrative purposes only and form no part of the claimed design. The dash-dot lines shown in some of the drawings are provided to define the boundary of the claimed design and form no part of the claimed design.

1 Claim, 5 Drawing Sheets

- (56) **References Cited**
U.S. PATENT DOCUMENTS
- D172,552 S * 7/1954 Perl et al. D7/360
- D300,598 S 4/1989 Ueda et al.
- D323,762 S * 2/1992 Barrault D7/354
- D337,479 S * 7/1993 Doi D7/354
- D347,352 S * 5/1994 Myers et al. D7/354
- D376,724 S 12/1996 Mendelson et al.
- D416,166 S * 11/1999 Hirose et al. D7/360
- D425,360 S 5/2000 Dobson et al.



US D695,056 S

Page 2

(56)

References Cited

U.S. PATENT DOCUMENTS

D659,462 S	5/2012	Hundley et al.		
8,230,779 B2 *	7/2012	Yang	99/403	* cited by examiner
D667,256 S *	9/2012	Krapfl et al.	D7/354	
2002/0038802 A1 *	4/2002	Tersch	220/573.4	
2008/0083730 A1	4/2008	Dolgov et al.		

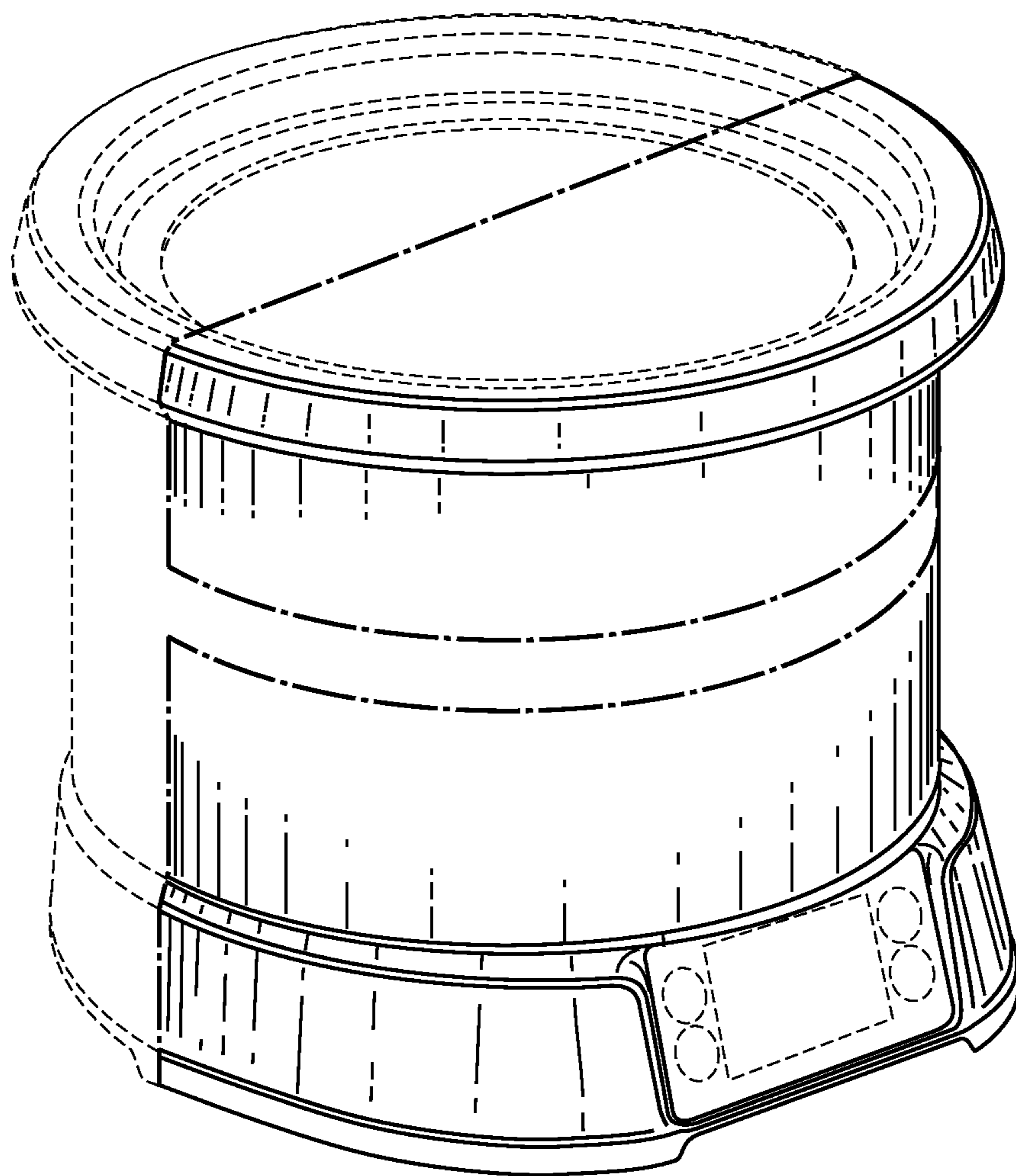


FIG. 1

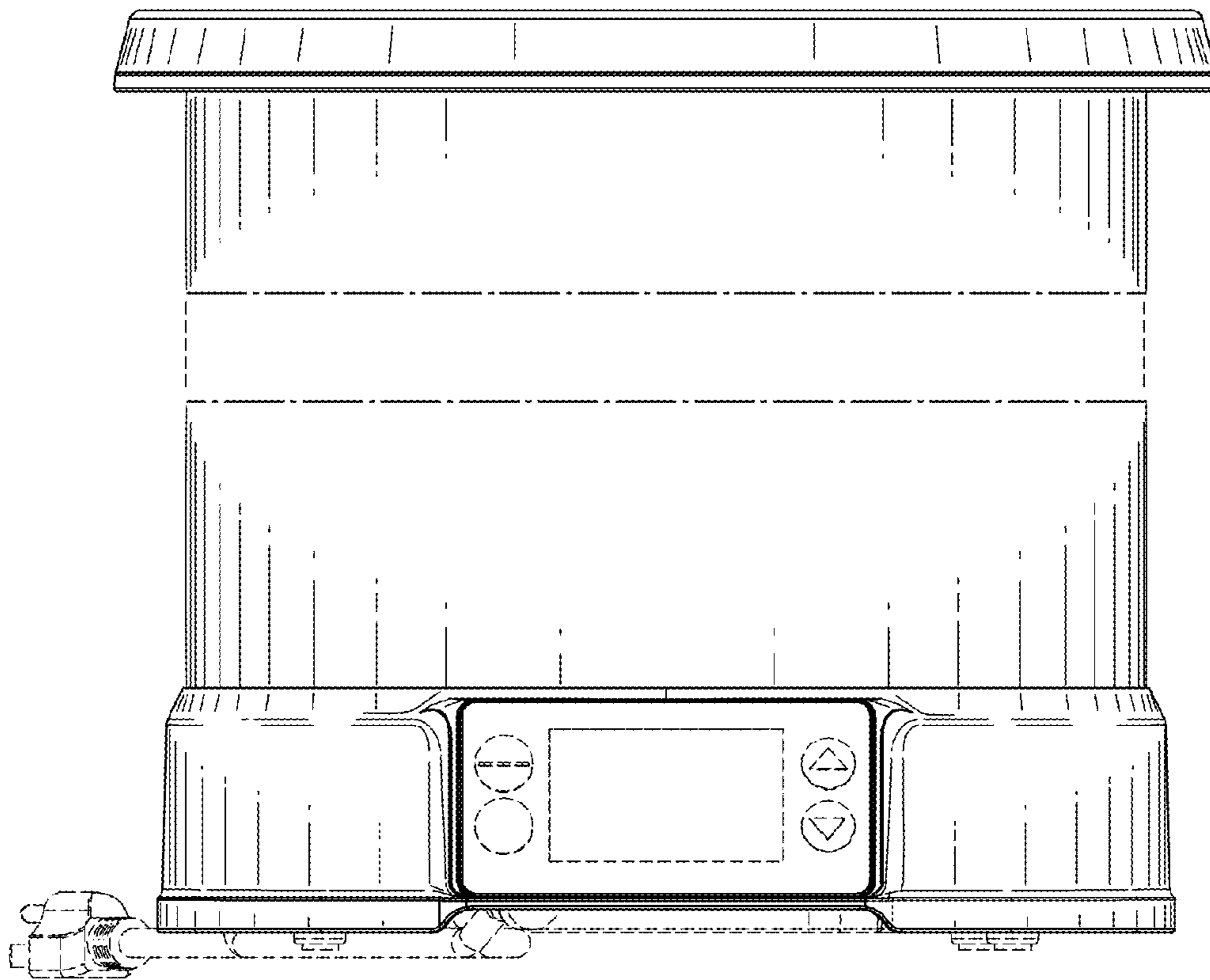


FIG. 2

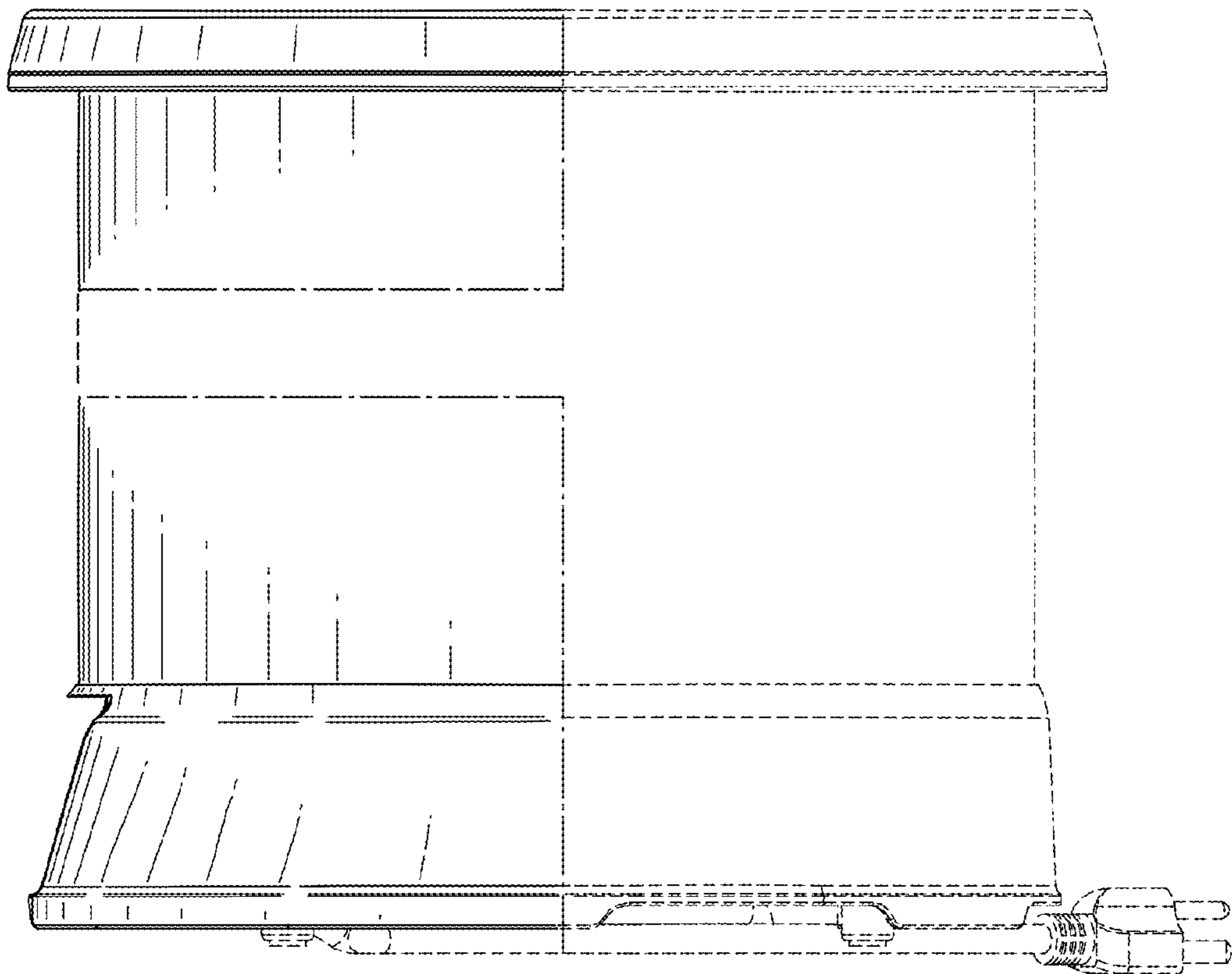


FIG. 3

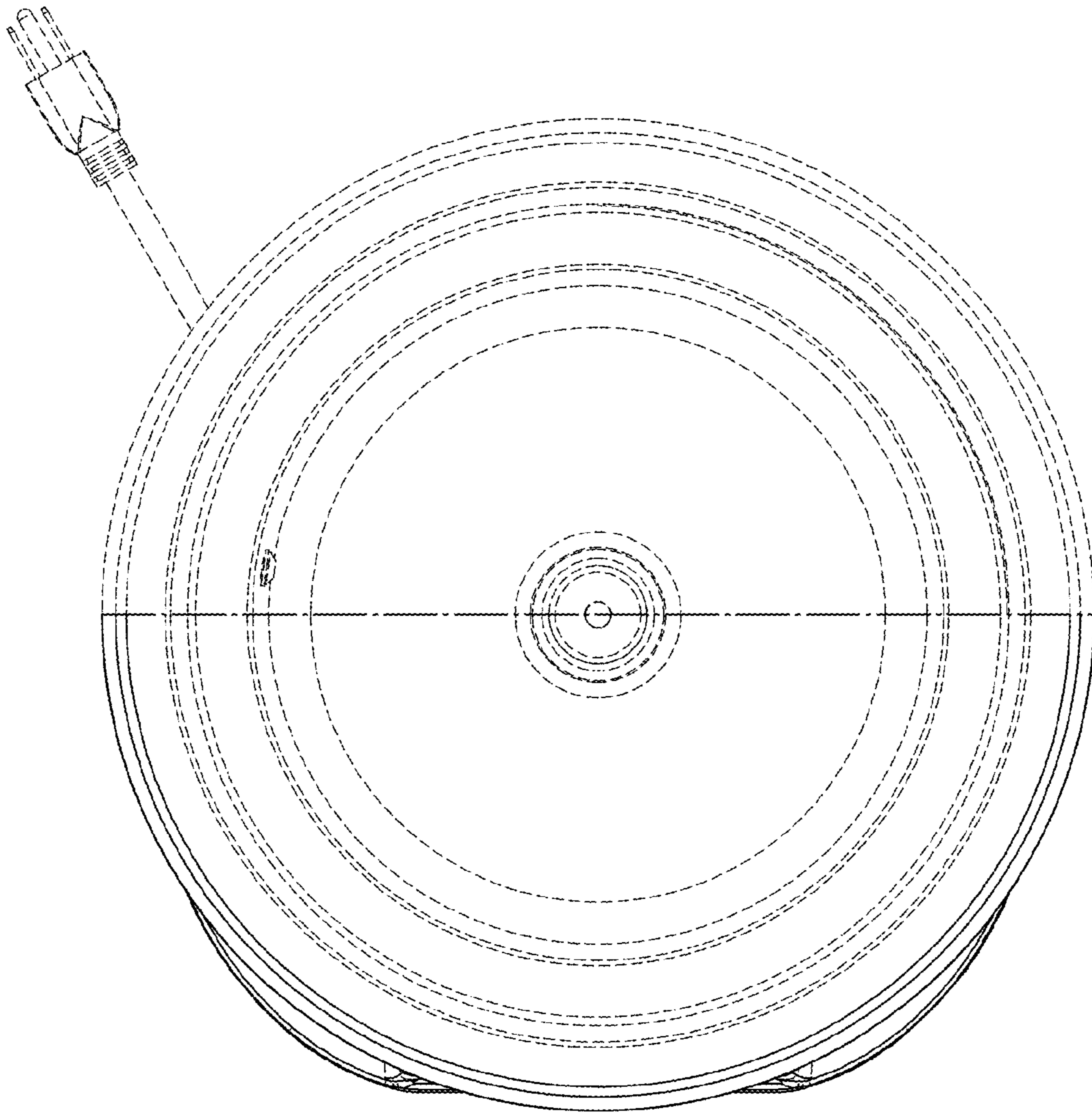


FIG. 4

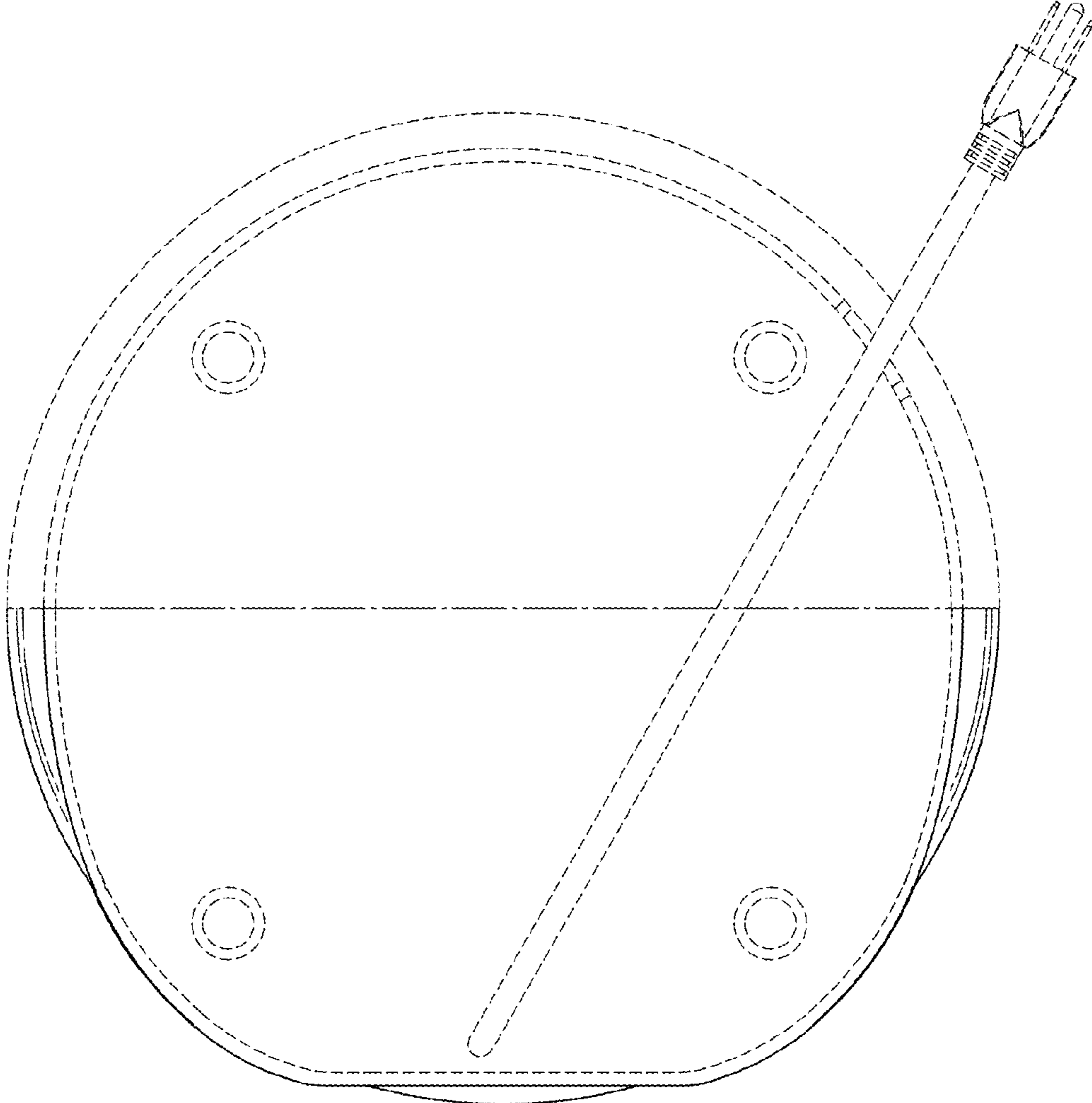


FIG. 5