



US00D695055S

(12) **United States Design Patent**  
**Measom et al.**

(10) **Patent No.:** **US D695,055 S**

(45) **Date of Patent:** **\*\* Dec. 10, 2013**

(54) **GRILL BOX**

(75) Inventors: **Ty Measom**, Logan, UT (US); **Brett Bennett**, Mantua, UT (US)

(73) Assignee: **Logan Outdoor Products, L.L.C.**, Hyde Park, UT (US)

(\*\*) Term: **14 Years**

(21) Appl. No.: **29/431,197**

(22) Filed: **Sep. 5, 2012**

(51) **LOC (9) Cl.** ..... **15-05**

(52) **U.S. Cl.**  
USPC ..... **D7/332**

(58) **Field of Classification Search**  
USPC ..... D7/332, 334-337, 402-404, 406, 409;  
126/25 R, 41 R, 38, 9 R, 9 A, 9 B, 40, 50,  
126/37 R, 304 R, 305; 99/450, 481, 482;  
248/163.1, 440.1, 188.1, 127;  
108/157.13

See application file for complete search history.

(56) **References Cited**

**U.S. PATENT DOCUMENTS**

5,313,928	A *	5/1994	Rodgers et al.	126/38
D450,976	S *	11/2001	Mosher	D7/337
D469,298	S *	1/2003	Hinton et al.	D7/332
D479,092	S *	9/2003	Lewis et al.	D7/332
D491,414	S *	6/2004	Nichols et al.	D7/402
D514,871	S *	2/2006	May et al.	D7/337
D559,620	S *	1/2008	Bachinski et al.	D7/402

D611,292	S *	3/2010	Chung	D7/337
D615,799	S *	5/2010	Best et al.	D7/337
D654,758	S *	2/2012	Thimm et al.	D7/334
D677,106	S *	3/2013	Horito et al.	D7/337
2005/0241630	A1 *	11/2005	May et al.	126/38

\* cited by examiner

*Primary Examiner* — Ruth McInroy

(74) *Attorney, Agent, or Firm* — Peck Hadfield Baxter & Moore, LLC; Preston P. Frischknecht

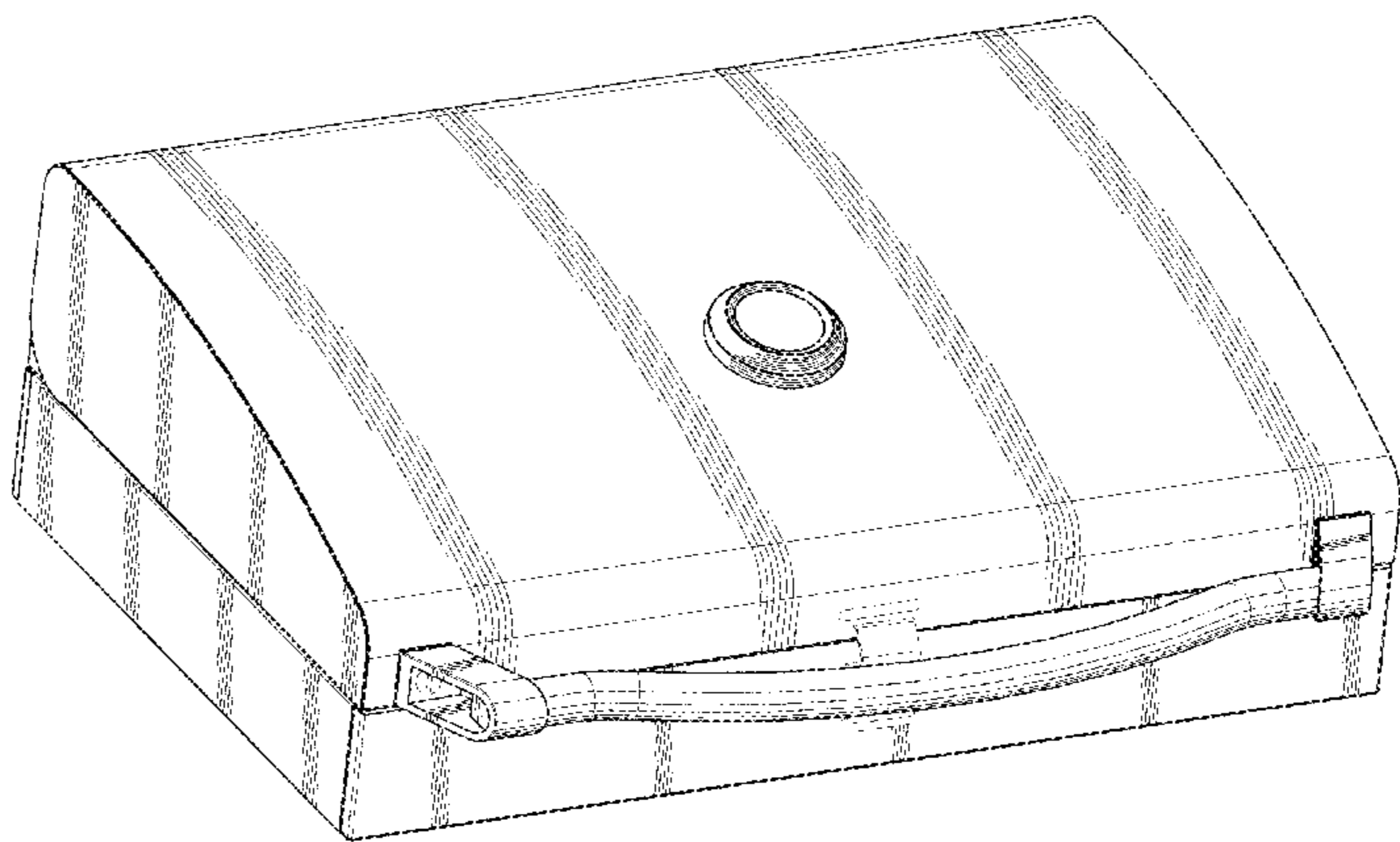
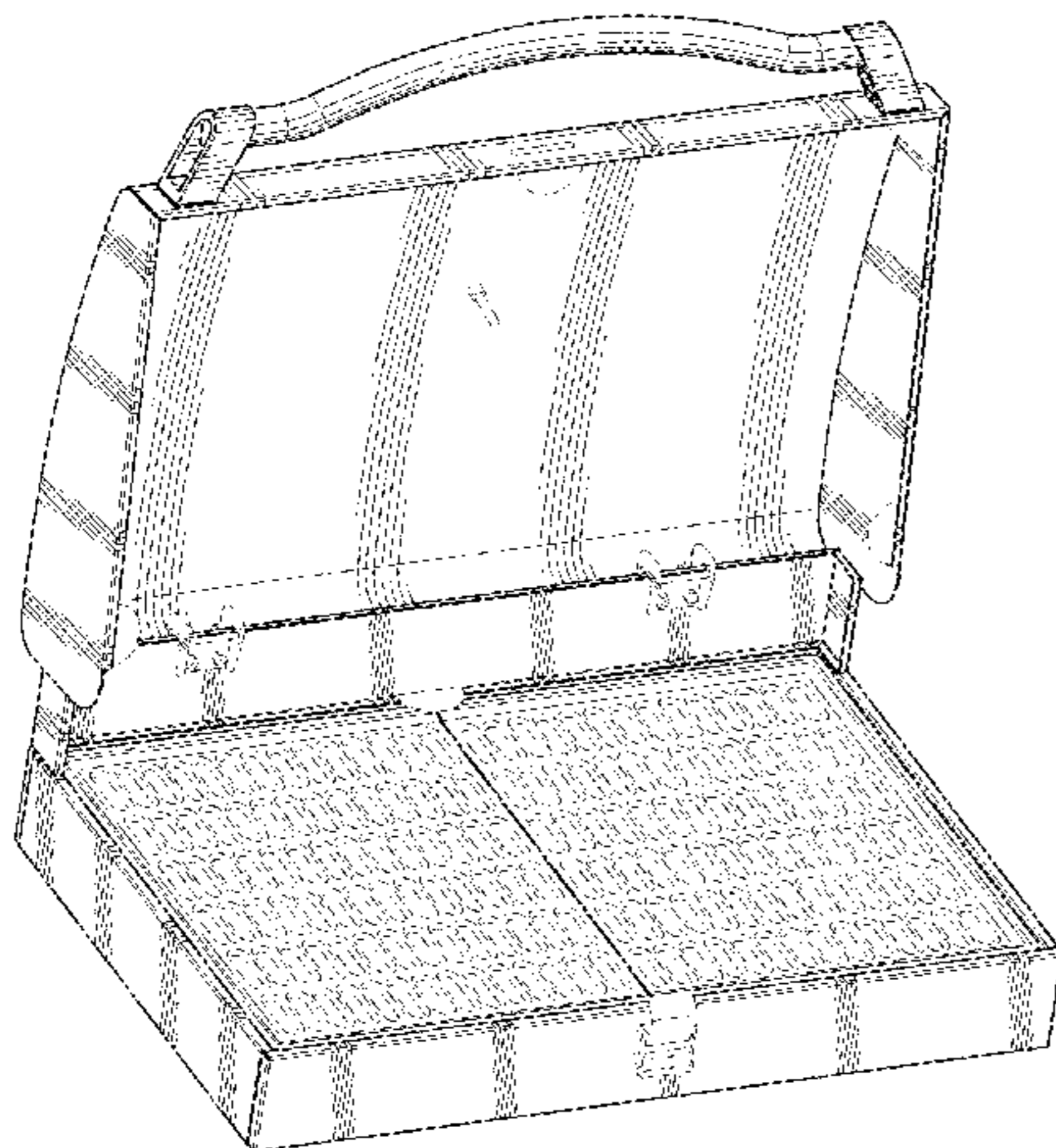
(57) **CLAIM**

The ornamental design for a grill box, as shown and described.

**DESCRIPTION**

FIG. 1 is a front perspective view of a grill box with the lid in an open position showing our new design;  
FIG. 2 is a front perspective view thereof with the lid in a closed position;  
FIG. 3 is a top plan view thereof;  
FIG. 4 is a bottom plan view thereof;  
FIG. 5 is a front view thereof;  
FIG. 6 is a rear view thereof;  
FIG. 7 is a left side view thereof; and,  
FIG. 8 is a right side view thereof.  
The details shown in broken lines form no part of the claimed design.

**1 Claim, 8 Drawing Sheets**



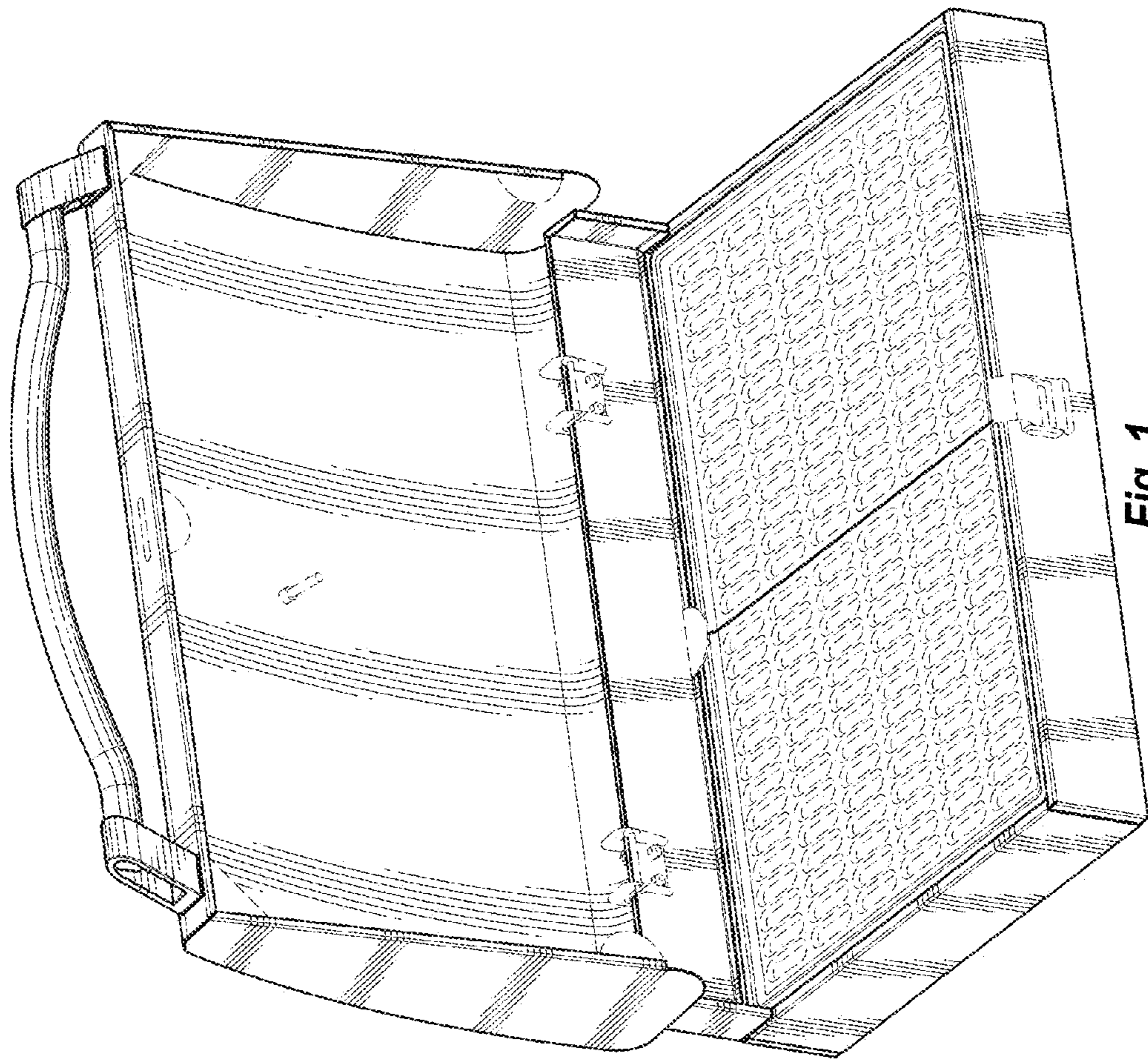


Fig. 1



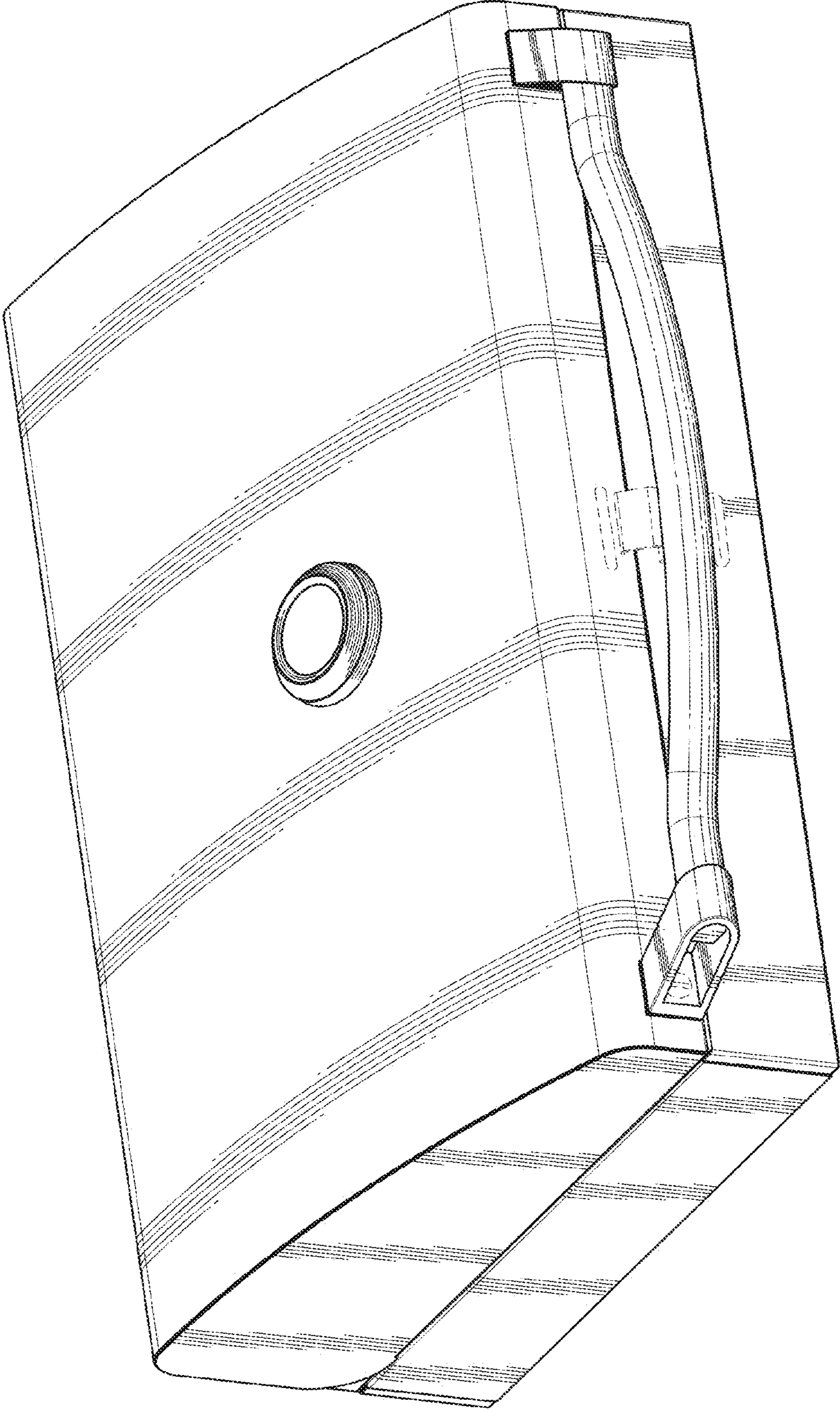


Fig. 2

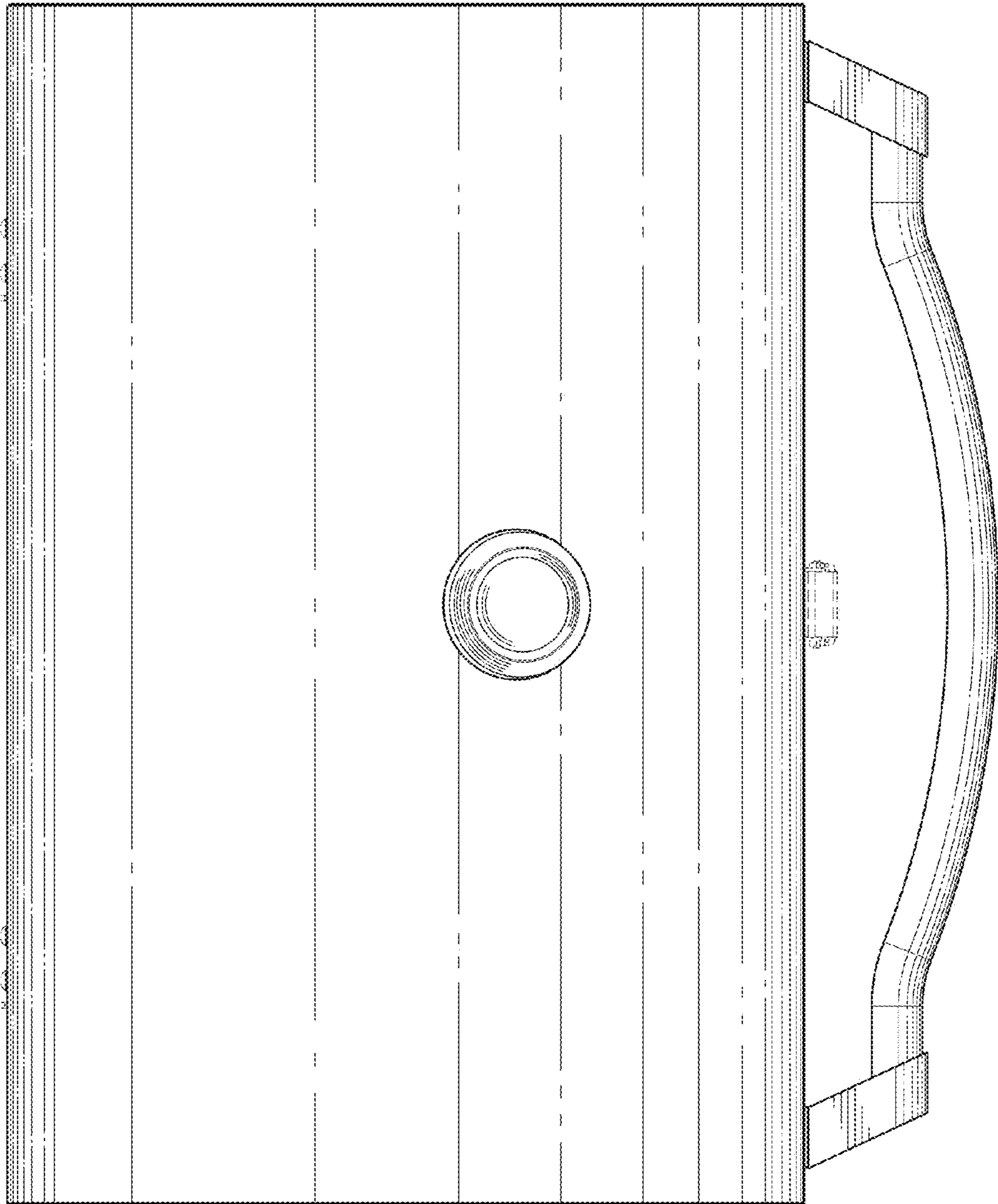


Fig. 3

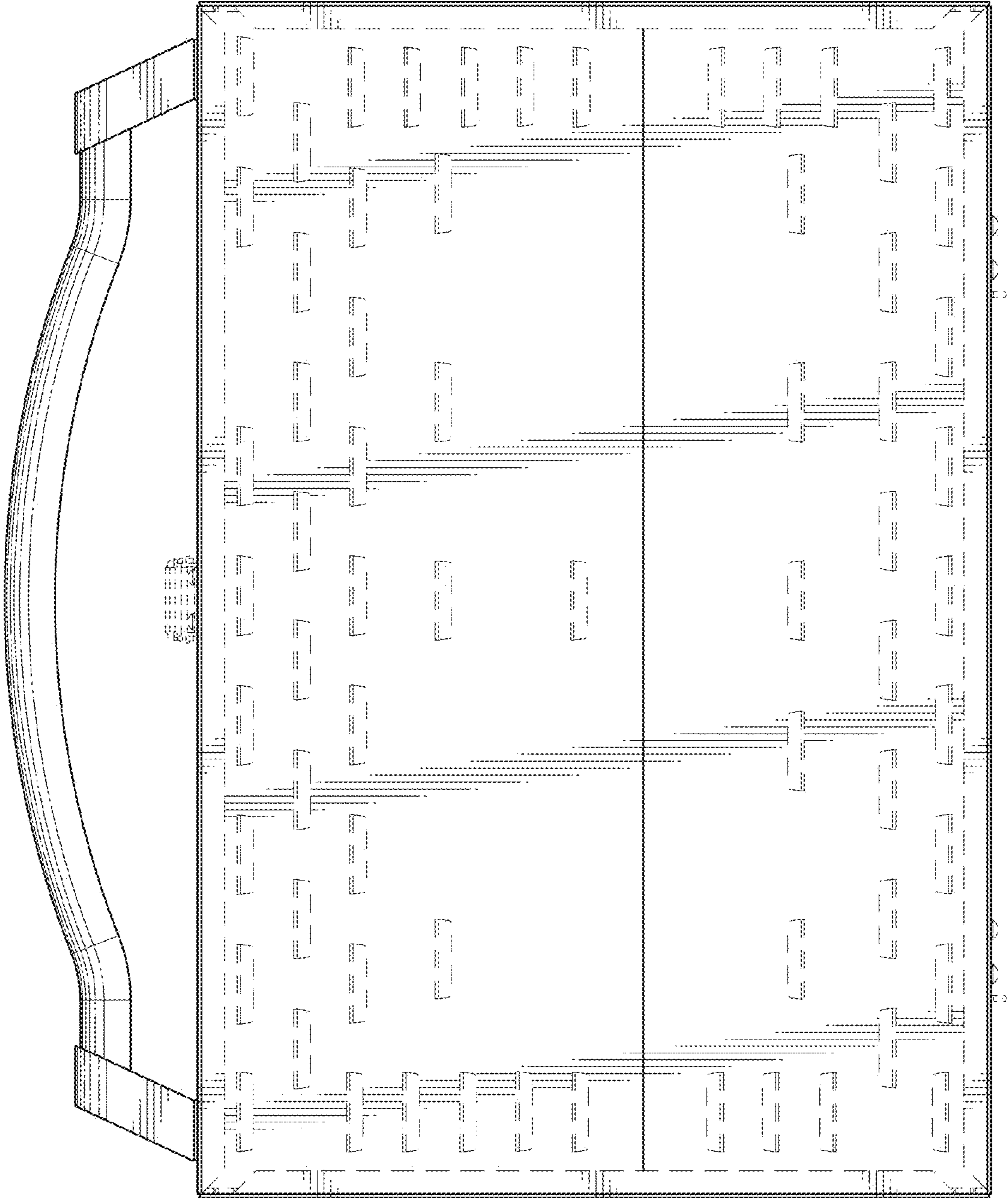


Fig. 4



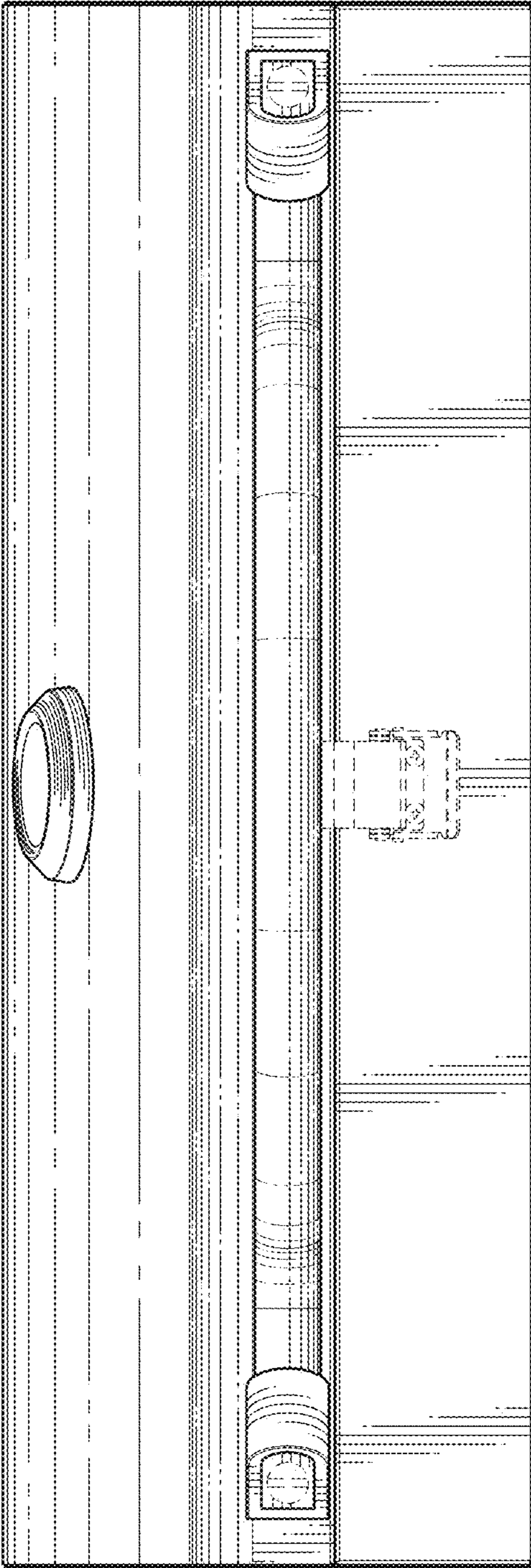


Fig. 5

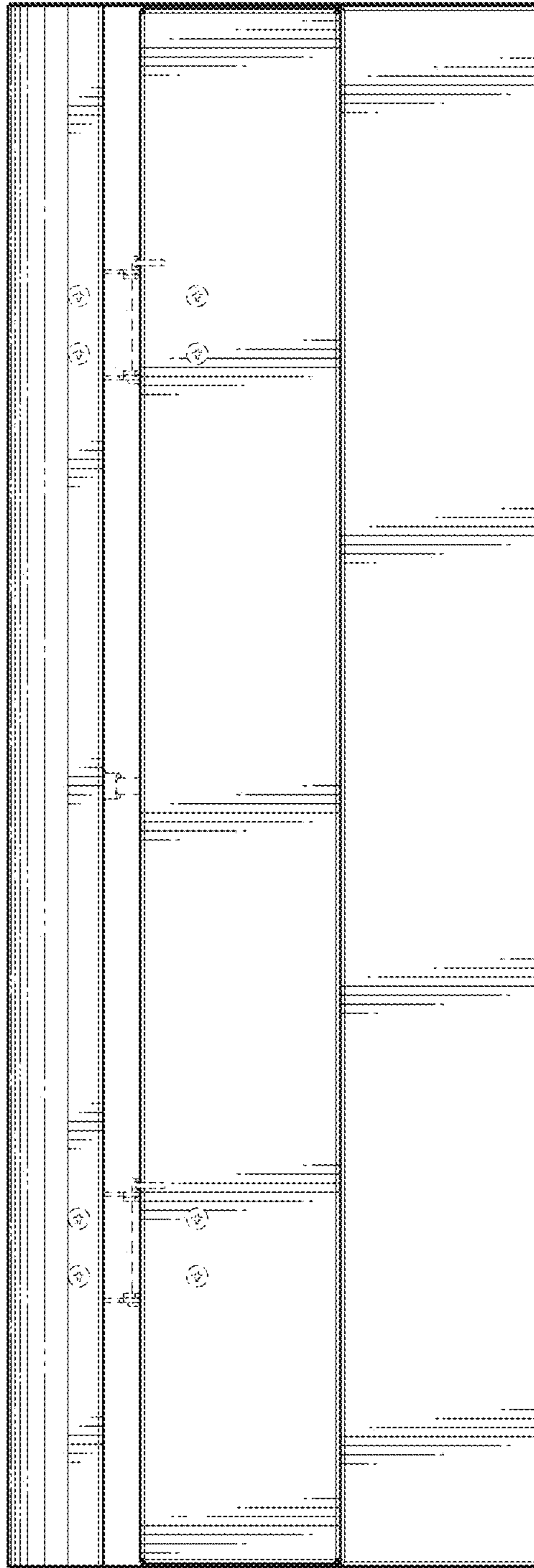


Fig. 6

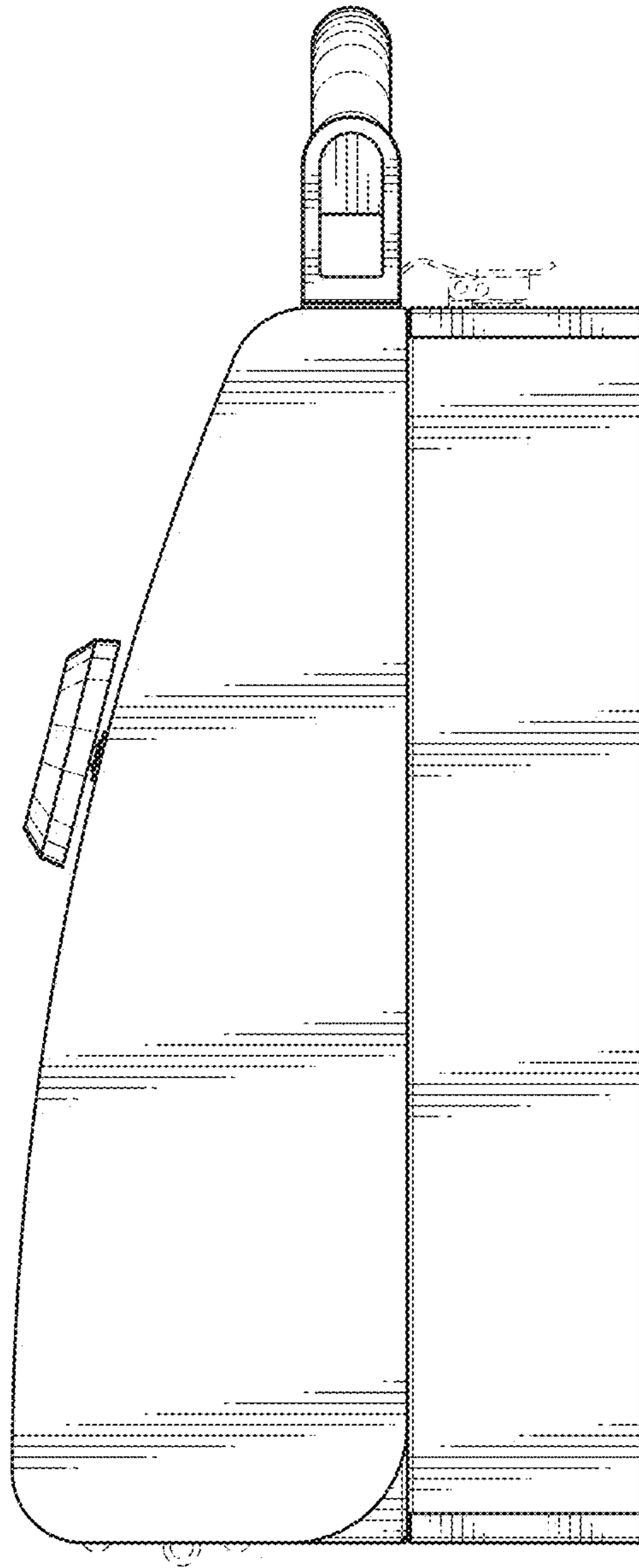


Fig. 7



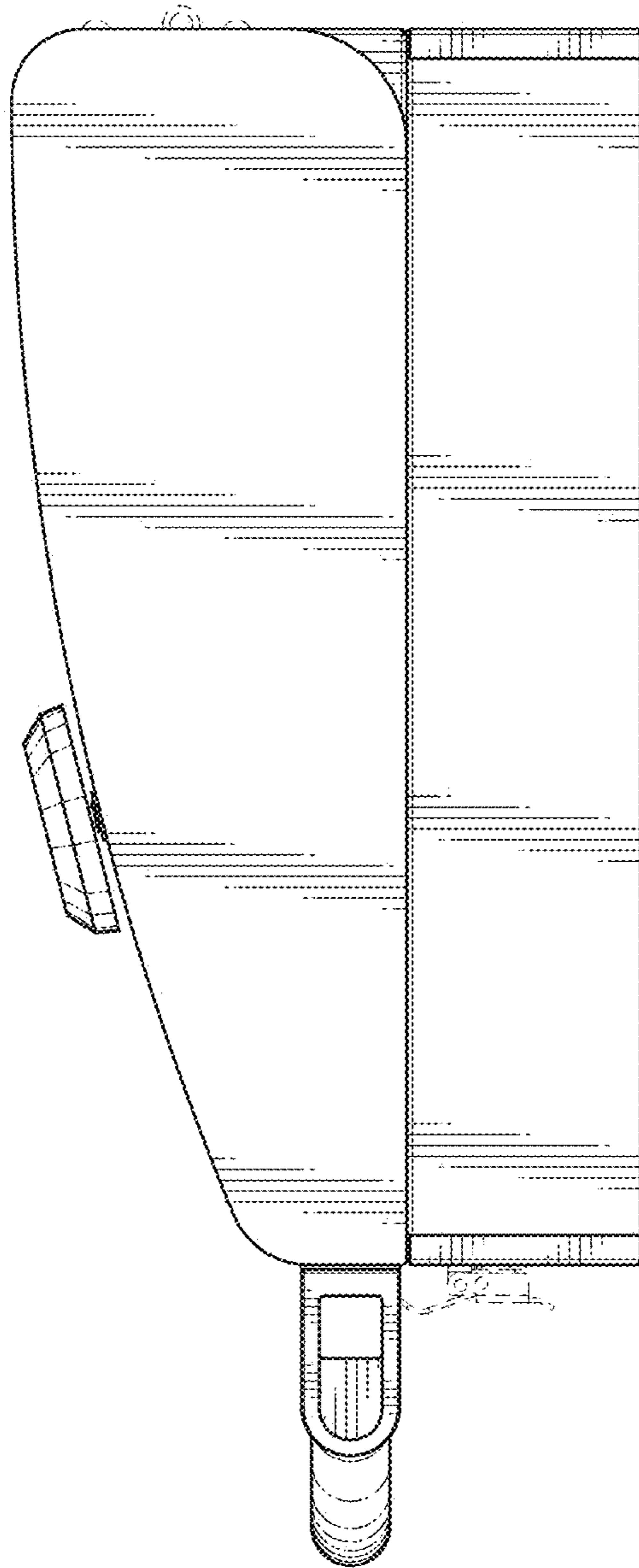


Fig. 8