

US00D695051S

(12) **United States Design Patent**
Perez et al.

(10) **Patent No.:** **US D695,051 S**
(45) **Date of Patent:** **** Dec. 10, 2013**

(54) **SEAT BASE**
(76) Inventors: **Jorge Adalberto Perez**, Pompano Bch,
FL (US); **Irma Isabel Perez Duran**,
Rogers, AR (US)
(**) Term: **14 Years**
(21) Appl. No.: **29/421,188**
(22) Filed: **Jun. 11, 2012**
(51) **LOC (9) Cl.** **06-01**
(52) **U.S. Cl.**
USPC **D6/716.1; D6/354**
(58) **Field of Classification Search**
USPC D6/330, 334–336, 338, 340–355, 360,
D6/363–365, 367–373, 645, 656, 658, 665,
D6/674, 675.5, 676, 716.1–716.6, 717,
D6/717.2; 297/461, 462, 115, 116, 135,
297/160–162; D12/111, 107
See application file for complete search history.

D454,438 S * 3/2002 Volkman et al. D6/349
D454,706 S * 3/2002 Volkman et al. D6/349
6,834,916 B2 * 12/2004 Volkman et al. 297/270.1
D586,573 S * 2/2009 Saitou D6/349
7,802,848 B2 * 9/2010 Suprina 297/352
7,931,336 B2 * 4/2011 Miller 297/252
D660,028 S * 5/2012 Rode D6/360
D661,120 S * 6/2012 Su D6/379
D661,134 S * 6/2012 Petruccelli D6/500
D666,536 S * 9/2012 Uimonen D12/111
D672,690 S * 12/2012 Augustin D12/111

* cited by examiner

Primary Examiner — Susan Bennett
Assistant Examiner — Vy Koenig

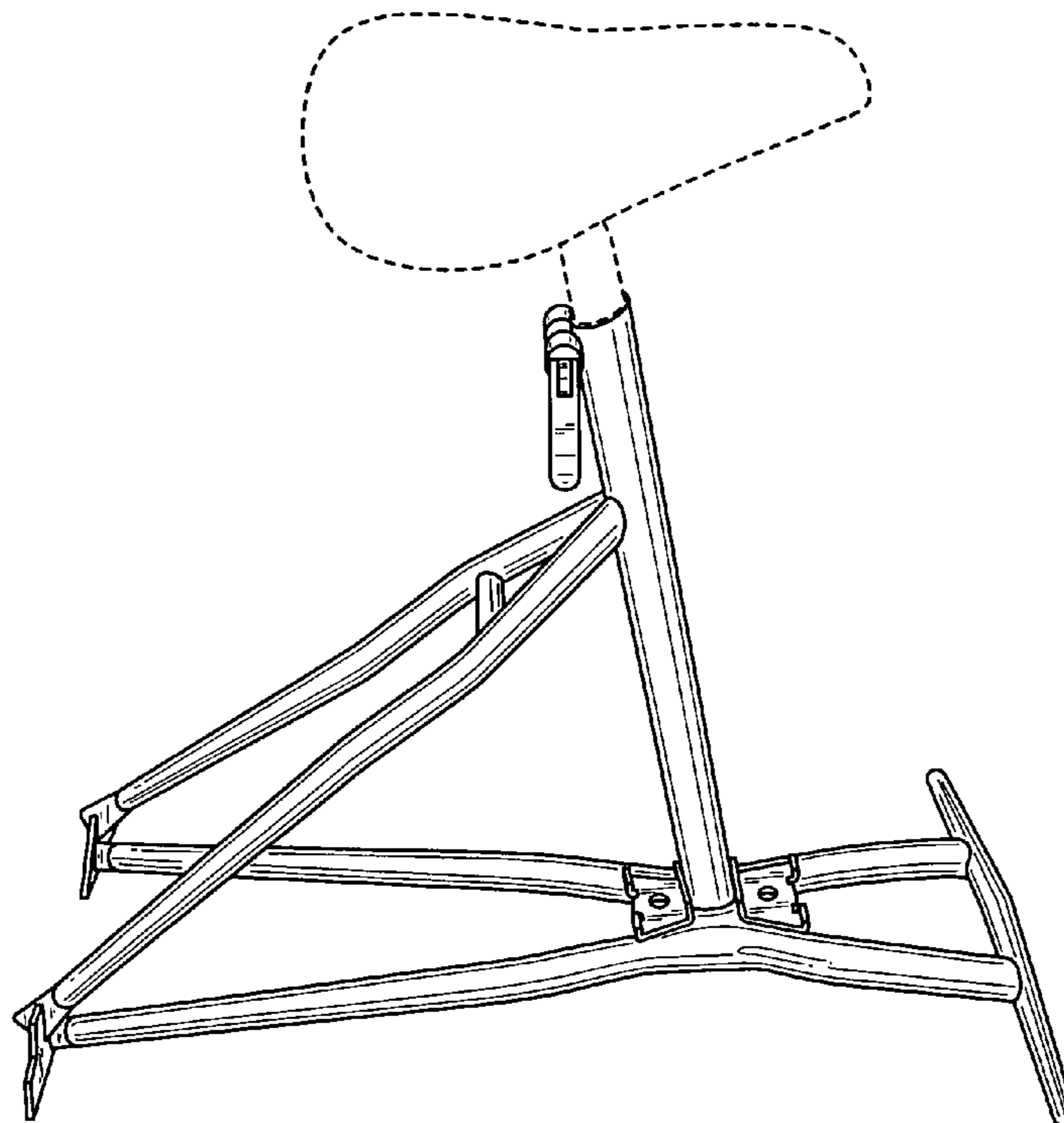
(57) **CLAIM**
The ornamental design for a seat base, as shown and described.

DESCRIPTION

FIG. 1 is a Right-Lateral view thereof;
FIG. 2 is a Frontal view thereof;
FIG. 3 is a Back view thereof;
FIG. 4 is a right elevation view thereof;
FIG. 5 is a left elevation view thereof;
FIG. 6 is a Top Elevation view thereof; and,
FIG. 7 is a Bottom Elevation view thereof.
The broken lines shown in the drawings depict environmental features that form no part of the claimed design.

1 Claim, 6 Drawing Sheets

(56) **References Cited**
U.S. PATENT DOCUMENTS
D243,165 S * 1/1977 Wheeler D12/111
D251,098 S * 2/1979 Diedrich et al. D6/354
4,183,579 A * 1/1980 Gonzalez y. Rojas ... 297/195.11
D271,352 S * 11/1983 De Boer D6/349
4,542,936 A * 9/1985 Gafken 297/257
5,112,103 A * 5/1992 Downer 297/270.1
D418,778 S * 1/2000 Allen et al. D12/111



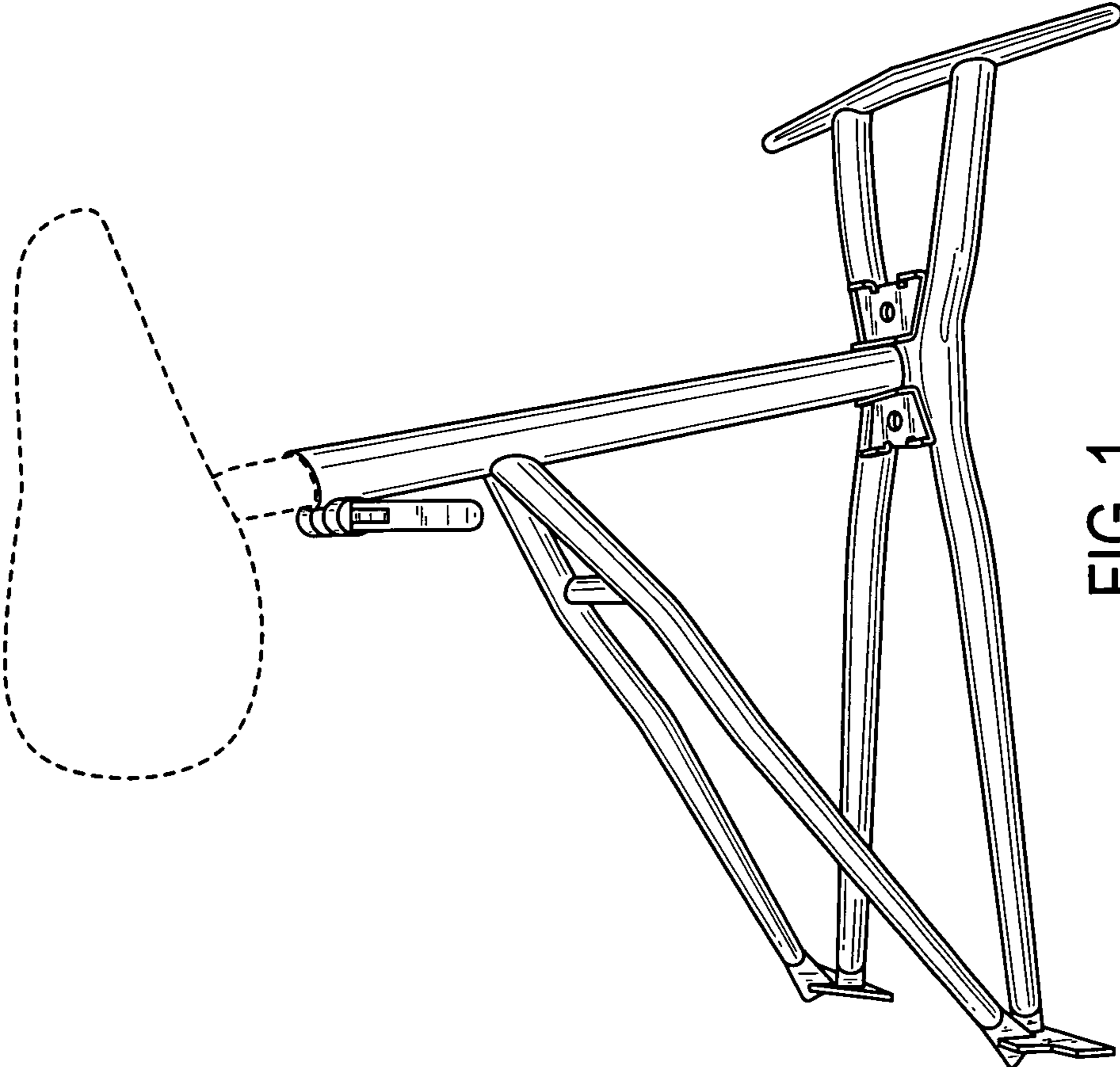


FIG. 1

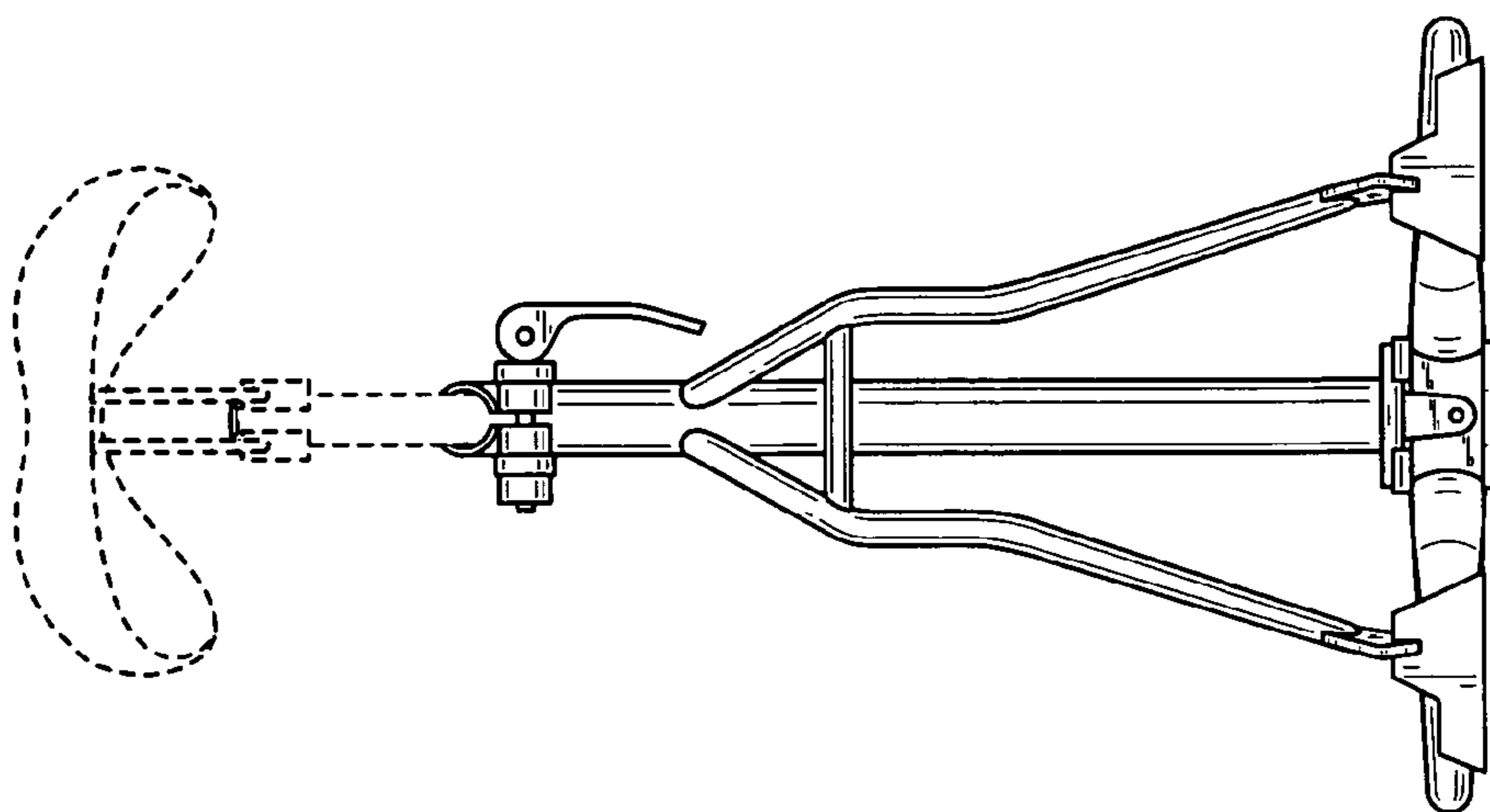


FIG. 3

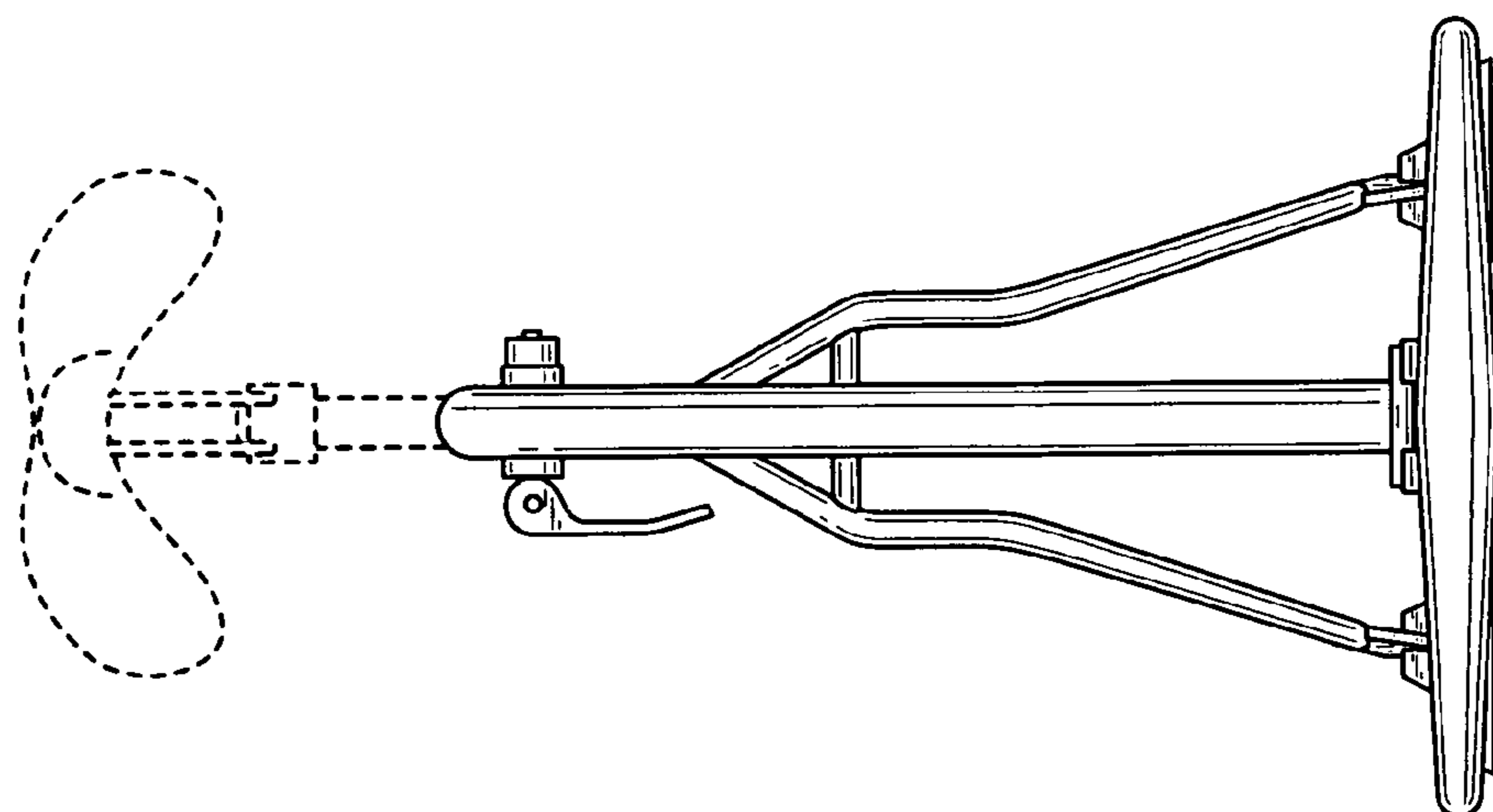


FIG. 2

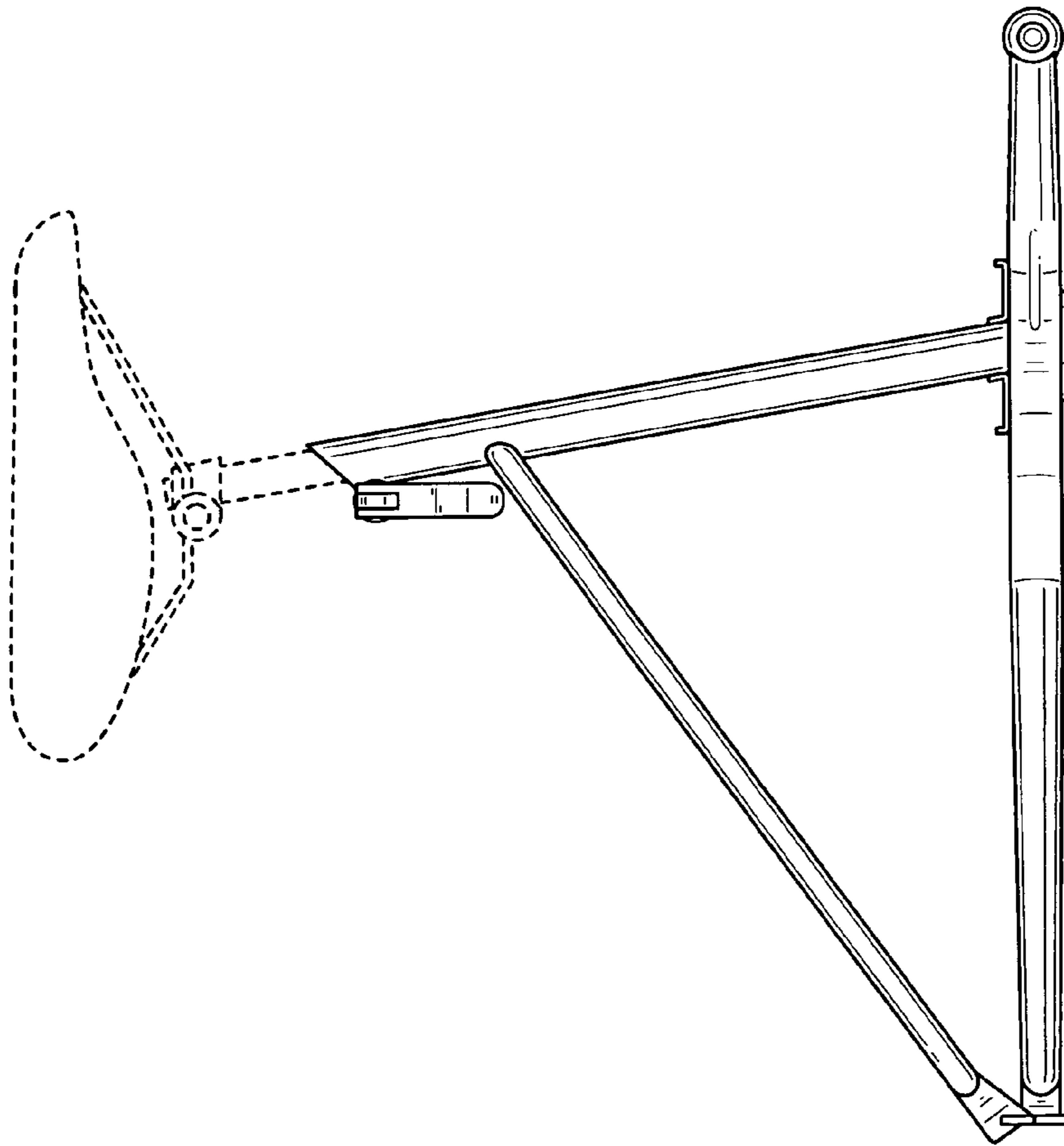


FIG. 4

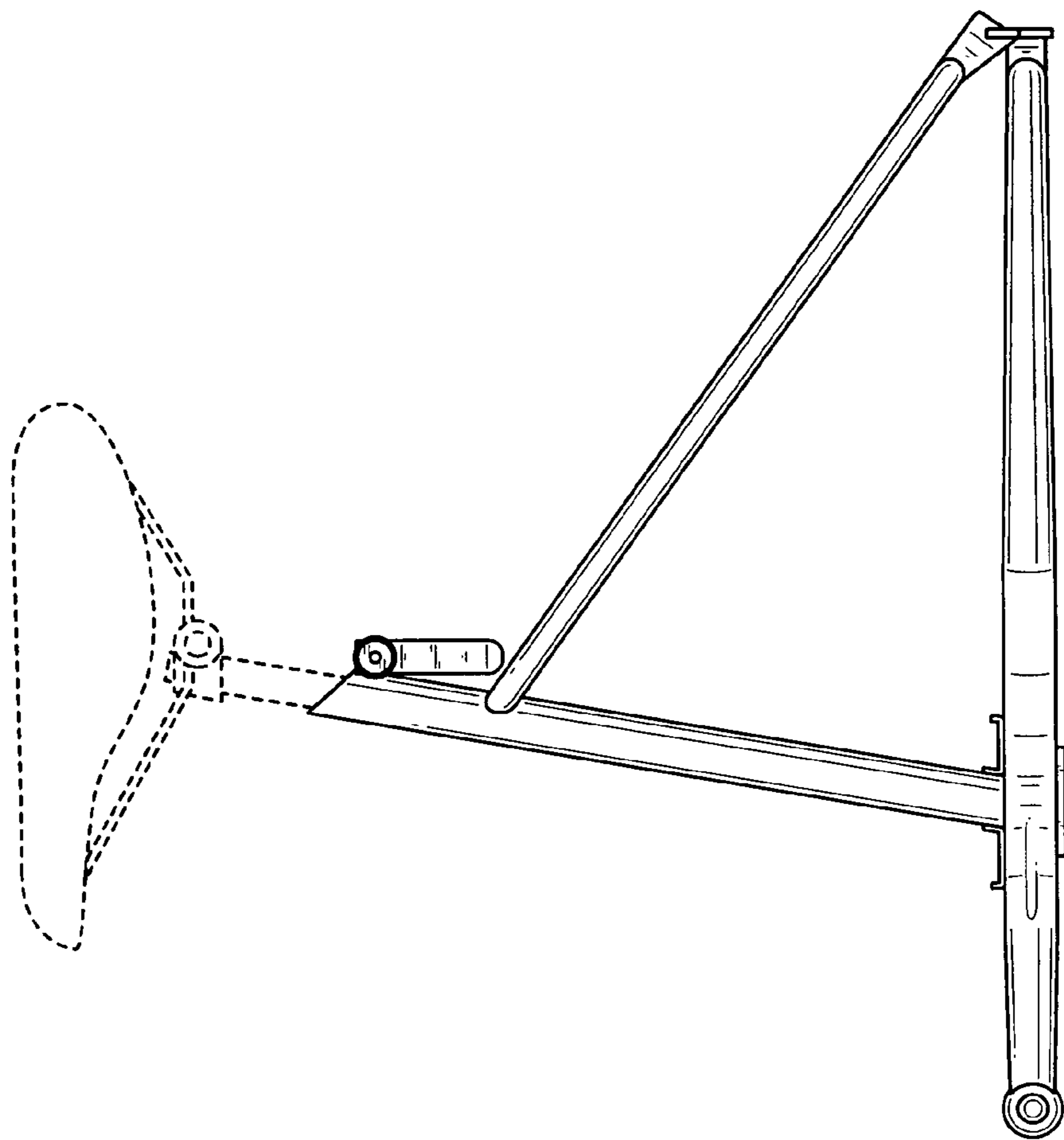


FIG. 5

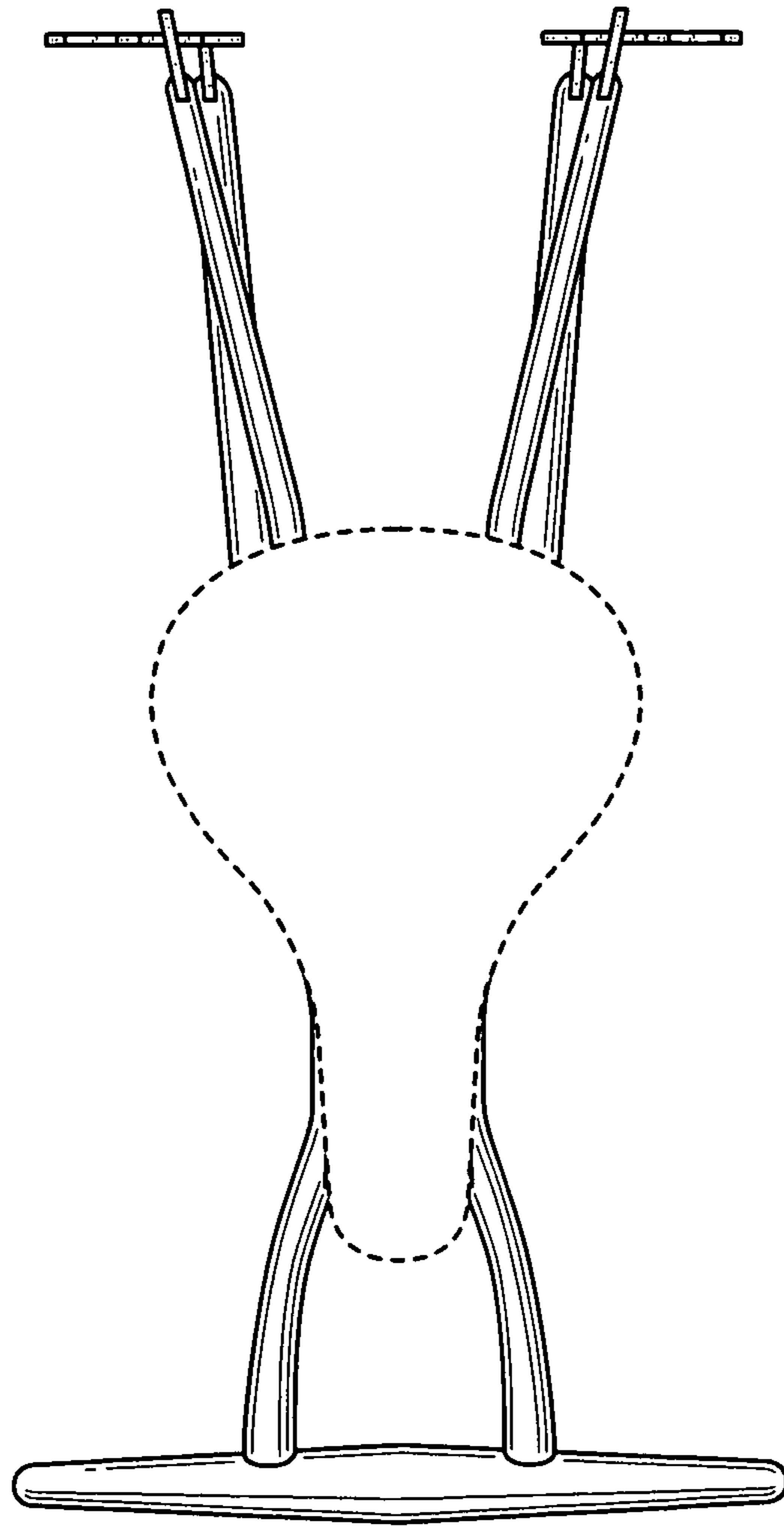


FIG. 6

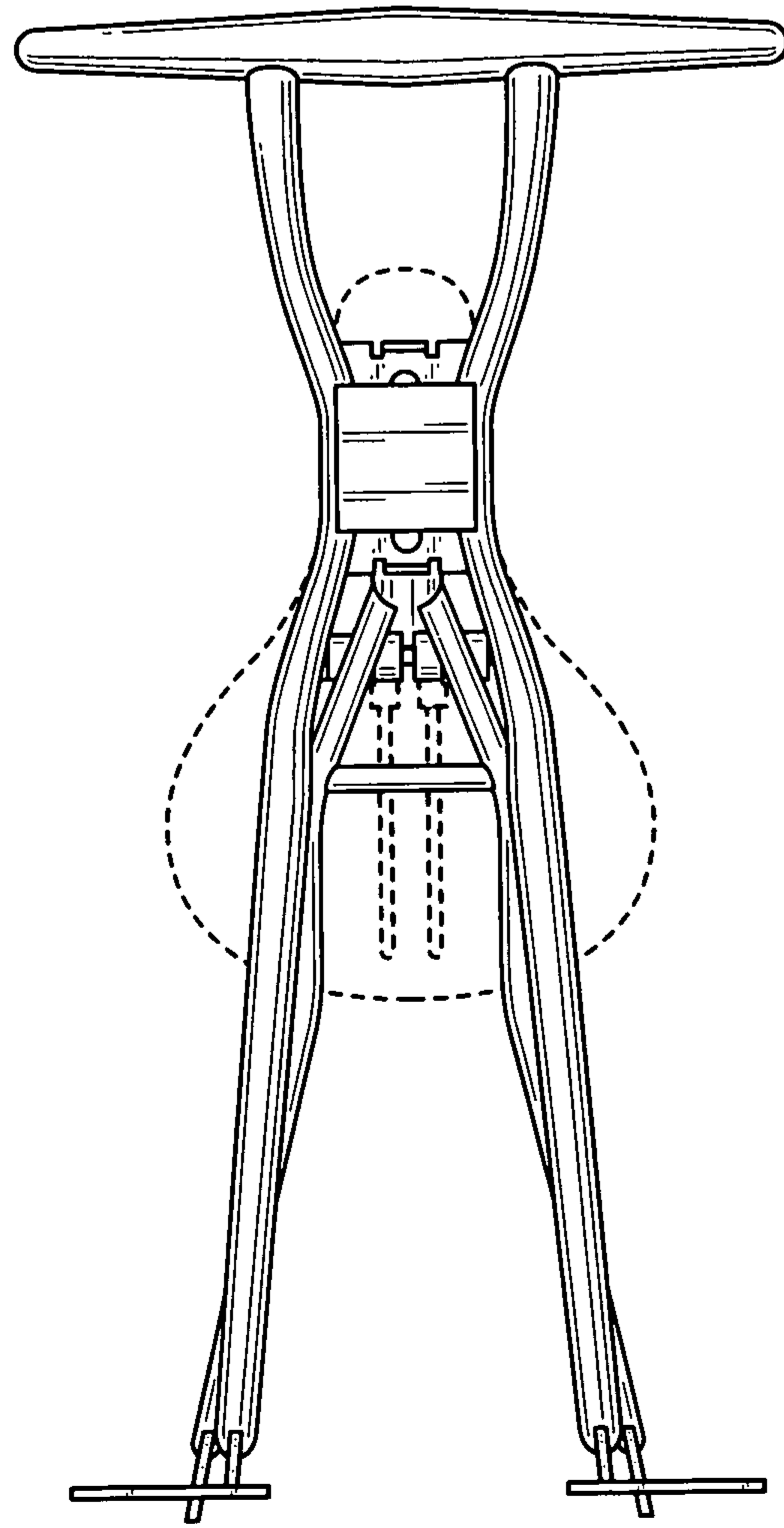


FIG. 7