



US00D695050S

(12) **United States Design Patent**  
**Miller**

(10) **Patent No.:** **US D695,050 S**

(45) **Date of Patent:** **\*\* Dec. 10, 2013**

(54) **PEDESTAL**

D571,875 S \* 6/2008 Krysiak ..... D21/712

(76) Inventor: **Matthew Allan Miller**, Goshen, IN (US)

\* cited by examiner

(\*\*) Term: **14 Years**

*Primary Examiner* — Janice Seeger

(21) Appl. No.: **29/427,499**

(74) *Attorney, Agent, or Firm* — MacMillan, Sobanski & Todd, LLC

(22) Filed: **Jul. 19, 2012**

(57) **CLAIM**

The ornamental design for a pedestal, as shown.

(51) **LOC (9) Cl.** ..... **06-06**

(52) **U.S. Cl.**  
USPC ..... **D6/708.13**

**DESCRIPTION**

(58) **Field of Classification Search**  
USPC ..... D6/688, 688.1, 708, 708.1, 708.13,  
D6/674; D21/712; 108/150, 153.1, 156,  
108/157.1, 161, 157.11; 248/188, 188.1,  
248/188.7, 188.8

FIG. 1 is a perspective view of a pedestal embodying my design. The pedestal is shown supporting a table top, with the table top, base and supports shown in phantom.

FIG. 2 is a bottom plan view thereof.

FIG. 3 is a top plan view thereof.

FIG. 4 is a side elevation view thereof.

FIG. 5 is a rear elevation view thereof.

FIG. 6 is a front elevation view thereof; and,

FIG. 7 is a perspective view of an alternate embodiment.

The broken lines are for environmental purposes only and form no part of the claimed design.

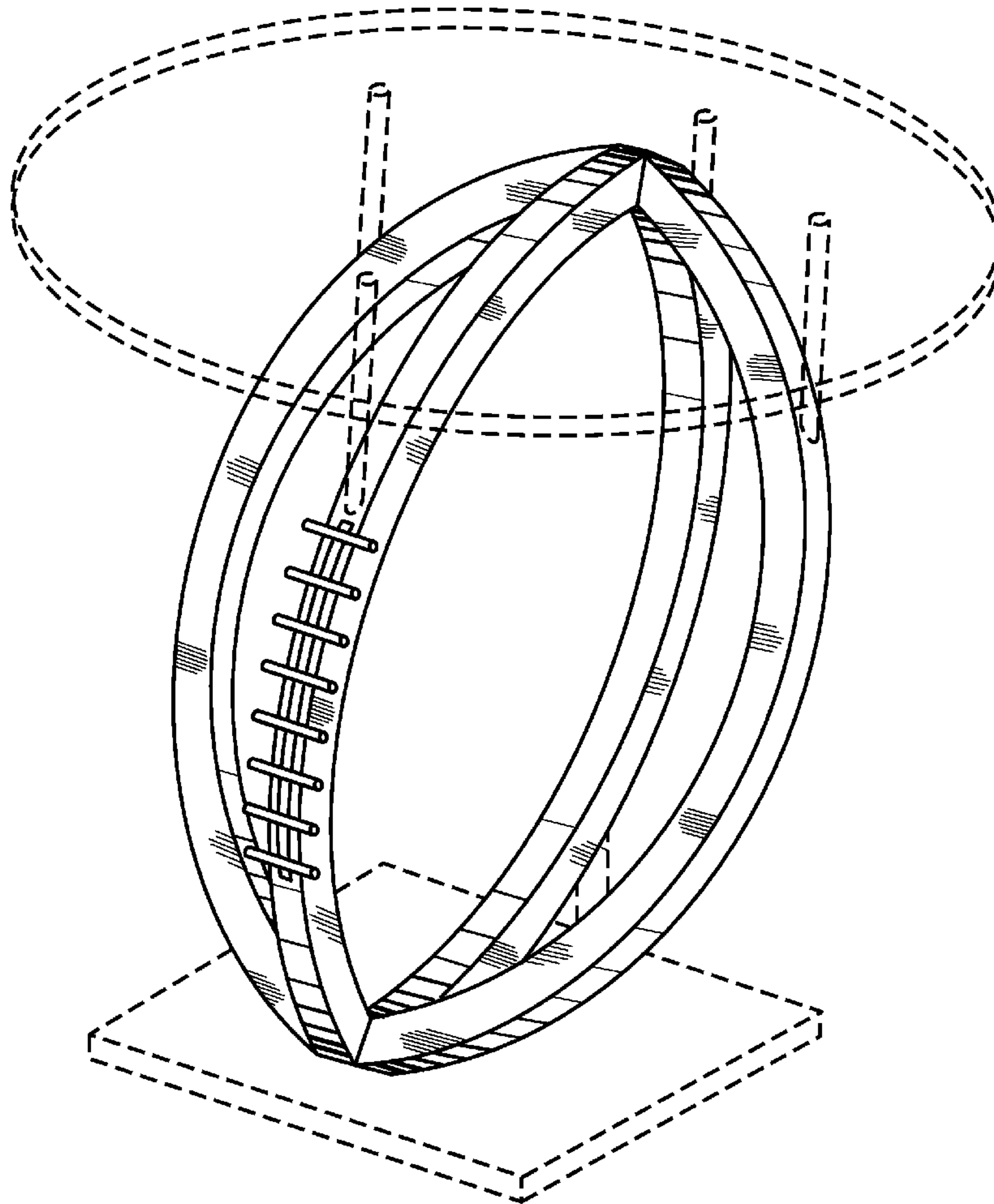
See application file for complete search history.

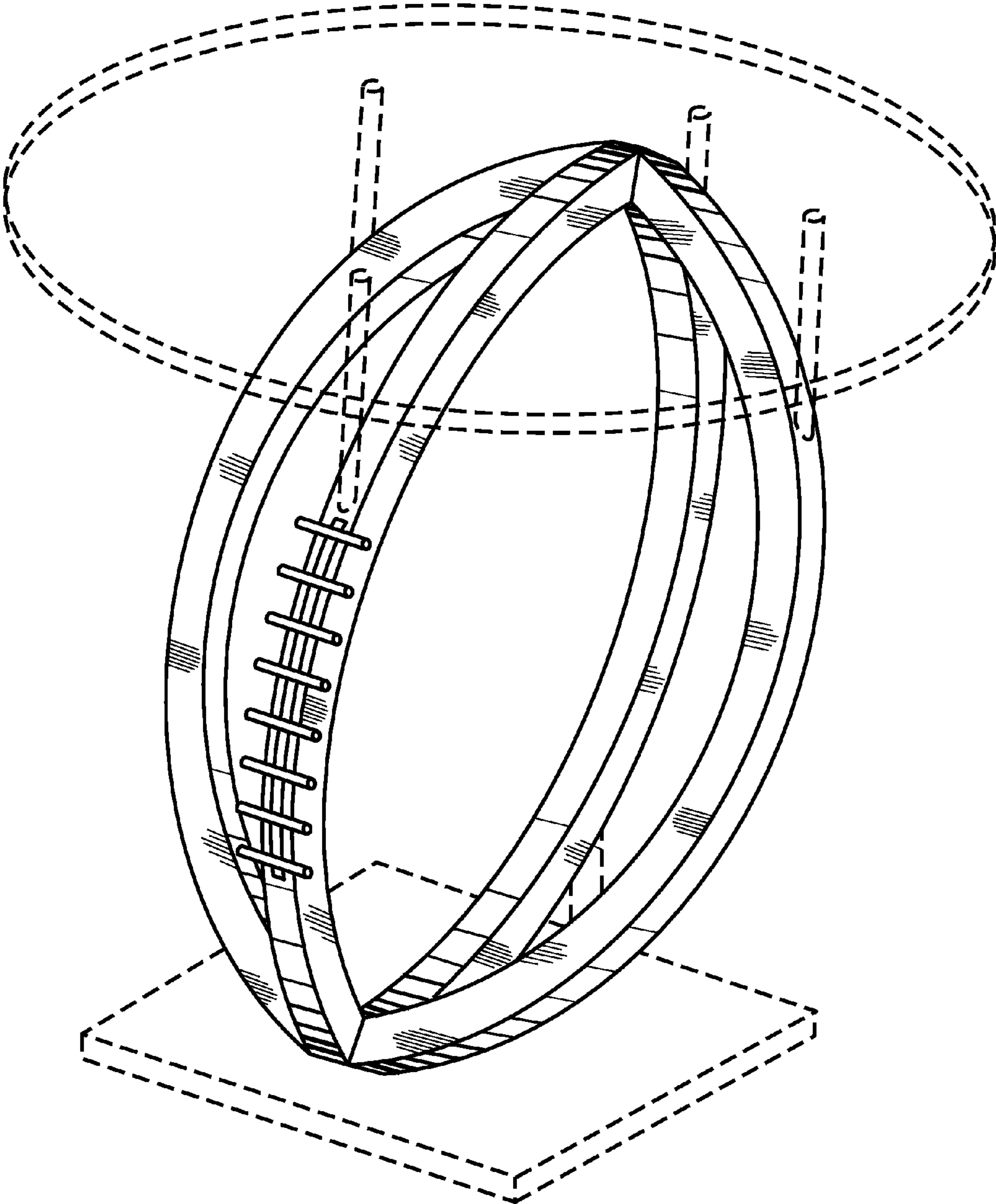
(56) **References Cited**

**U.S. PATENT DOCUMENTS**

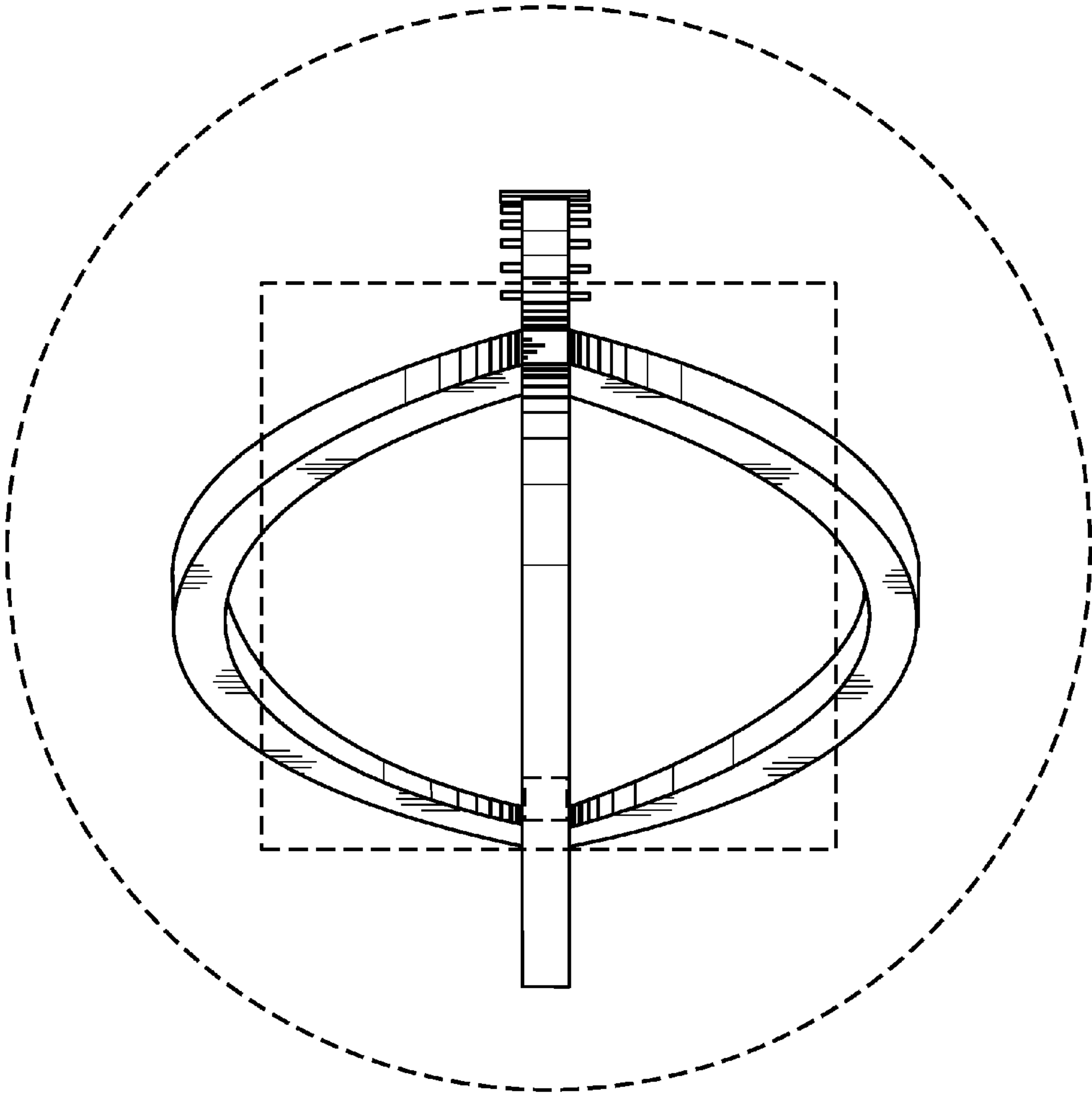
D379,875 S \* 6/1997 Wied et al. .... D6/351  
D509,385 S 9/2005 Muller  
D571,874 S \* 6/2008 Krysiak ..... D21/712

**1 Claim, 7 Drawing Sheets**





—FIG. 1



—FIG. 2

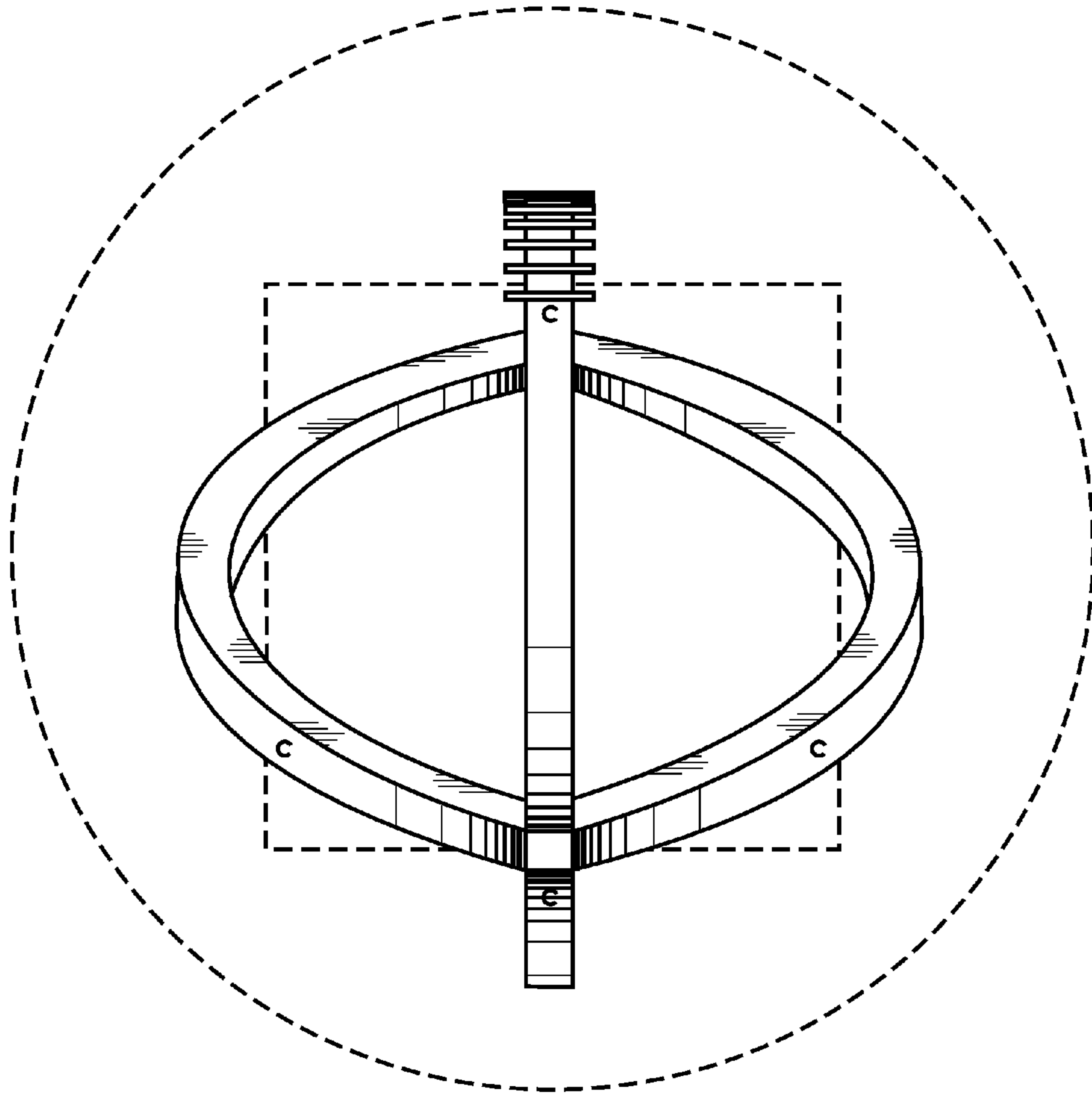


FIG. 3

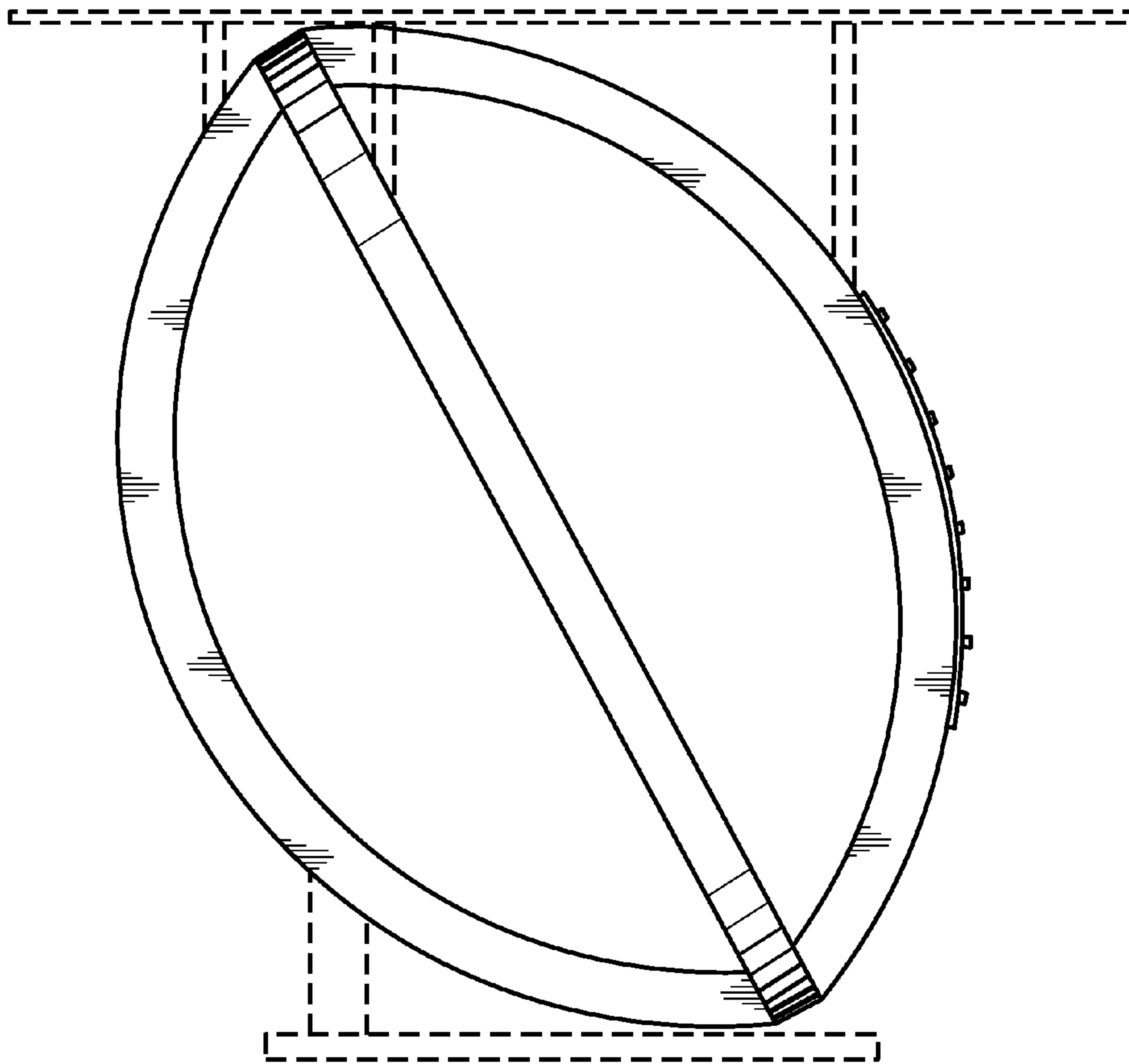
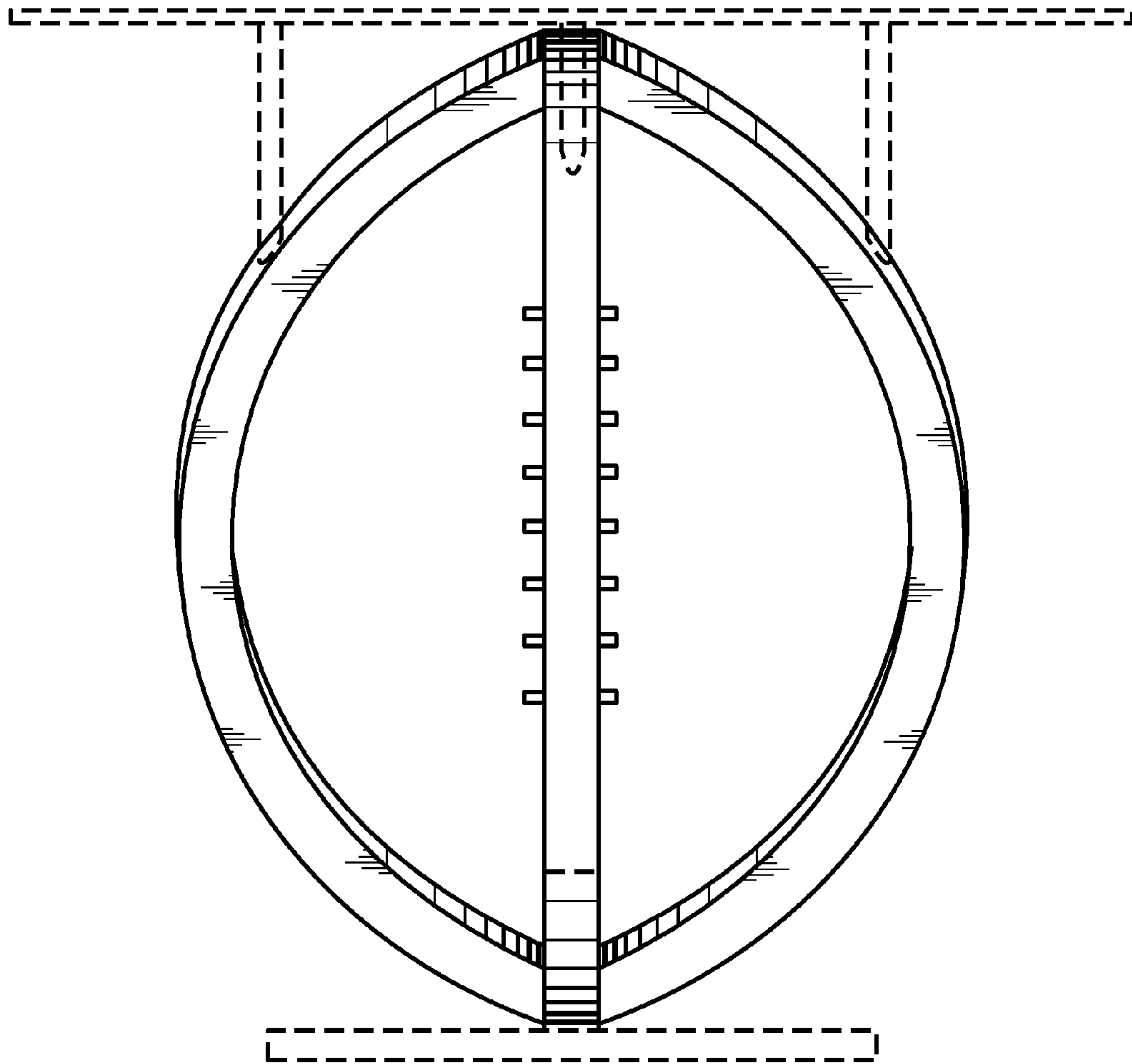
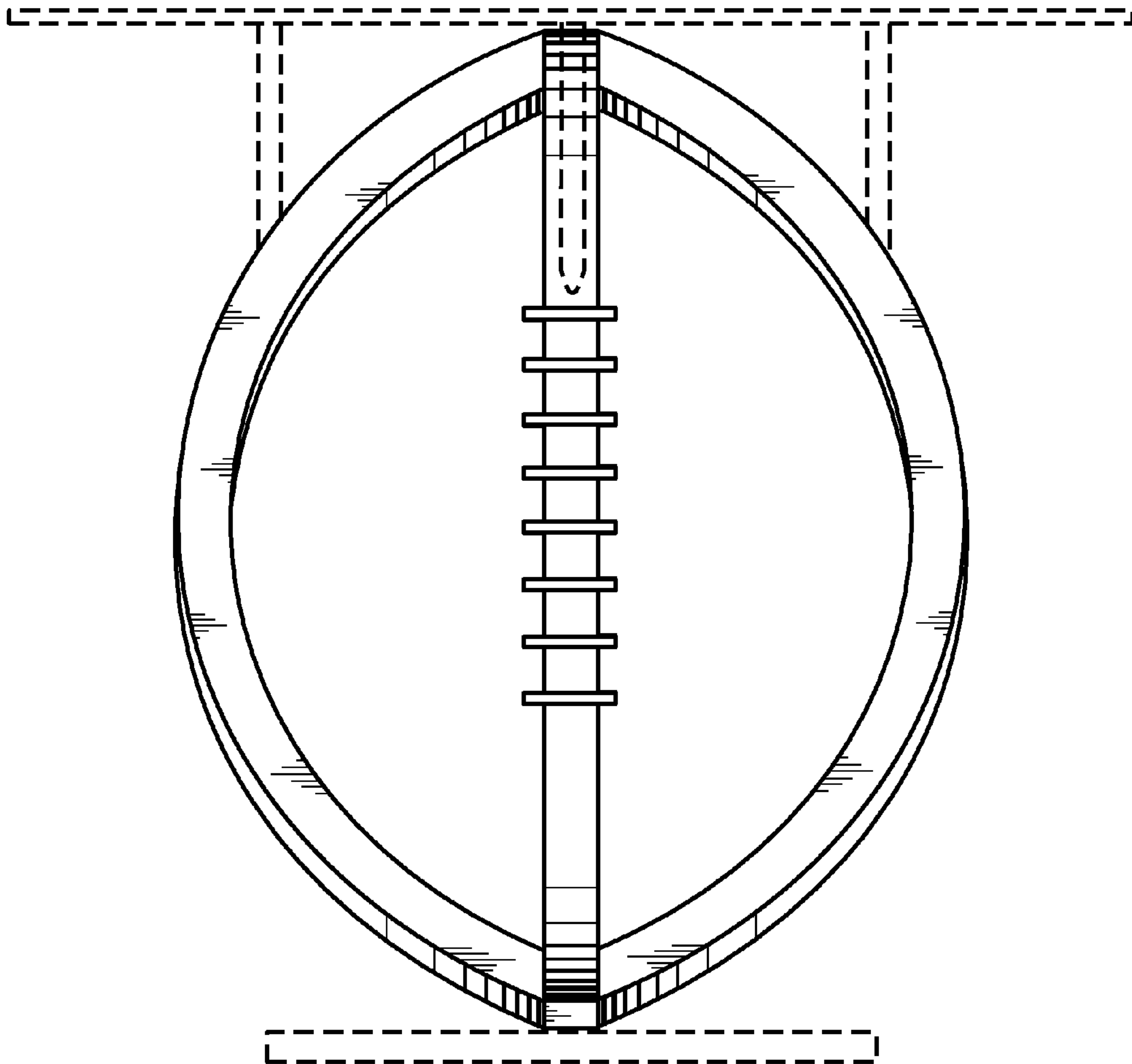


FIG. 4

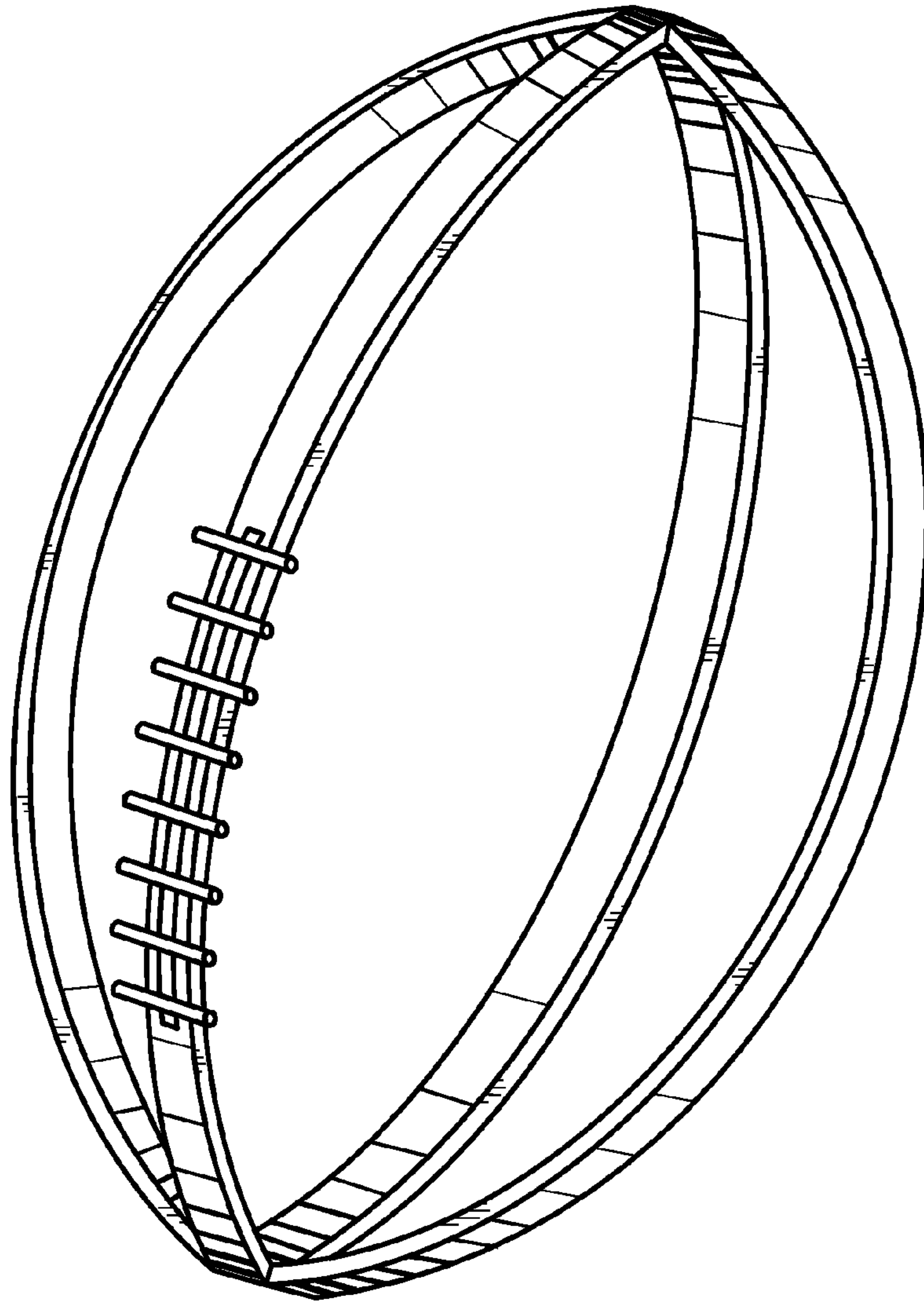


—FIG. 5



—FIG. 6





—FIG. 7