



US00D695049S

(12) **United States Design Patent**
James

(10) **Patent No.:** **US D695,049 S**
(45) **Date of Patent:** **** Dec. 10, 2013**

(54) **DECORATIVE PANEL**

DESCRIPTION

(75) Inventor: **Gary W. James**, Dove Canyon, CA (US)

(73) Assignee: **Standard Furniture Manufacturing Co., Inc.**, Bay Minette, AL (US)

(**) Term: **14 Years**

(21) Appl. No.: **29/431,943**

(22) Filed: **Sep. 12, 2012**

(51) **LOC (9) Cl.** **06-04**

(52) **U.S. Cl.**
USPC **D6/703.3**

(58) **Field of Classification Search**
USPC D6/657, 663, 664, 671, 671.1, 703,
D6/703.3, 703.4, 703.5, 705, 705.5;
312/114, 117, 138.1, 204, 224, 237,
312/257.1, 278, 279

See application file for complete search history.

(56) **References Cited**

U.S. PATENT DOCUMENTS

D16,882 S *	8/1886	Kundtz	D6/446
D63,021 S *	9/1923	Berg	D6/446
D64,392 S *	4/1924	Arons	D6/446
D87,816 S *	9/1932	Weber	D6/671.1
D147,257 S *	8/1947	Wood et al.	D6/671.1
D200,046 S *	1/1965	Dillen	D6/703.3
D232,141 S *	7/1974	Keller	D6/671.1
D232,503 S *	8/1974	Levine	D6/671.1
D401,082 S *	11/1998	O'Hare	D6/671.1
D412,413 S *	8/1999	Keller et al.	D6/671.1
D440,792 S *	4/2001	McDaniel et al.	D6/671.1
D454,446 S *	3/2002	O'Hare et al.	D6/671.1
D551,879 S *	10/2007	Janke et al.	D6/671.1
D552,375 S *	10/2007	Mohundro	D6/671.1
D660,048 S *	5/2012	Roser, Jr.	D6/671.1
D662,333 S *	6/2012	Hoff et al.	D6/671.1

* cited by examiner

Primary Examiner — Mimosa De

(57) **CLAIM**

I claim the ornamental design for a decorative panel, as shown and described.

FIG. 1 is a top plan view of a first embodiment of a decorative panel showing the claimed design;

FIG. 2 is a cross sectional elevation view of the design of the decorative panel shown in FIG. 1 taken along the line 2-2;

FIG. 3 is a front side elevation view of the design of the decorative panel shown in FIG. 1, which is also representative of the back side elevation view due to the symmetry of the design;

FIG. 4 is a cross sectional elevation view of the design of the decorative panel shown in FIG. 1 taken along the line 4-4;

FIG. 5 is a right side elevation view of the design of the decorative panel shown in FIG. 1, which is also representative of the left side elevation view due to the symmetry of the design;

FIG. 6 is a perspective view of the design of the decorative panel shown in FIG. 1;

FIG. 7 is a perspective view of the design of the decorative panel shown in FIG. 1 illustrating one exemplary use of the decorative panel in a dresser;

FIG. 8 is a top plan view of a second embodiment of a decorative panel showing the claimed design;

FIG. 9 is a cross sectional elevation view of the design of the decorative panel shown in FIG. 8 taken along the line 9-9;

FIG. 10 is a front side elevation view of the design of the decorative panel shown in FIG. 8, which is also representative of the back side elevation view due to the symmetry of the design;

FIG. 11 is a cross sectional elevation view of the design of the decorative panel shown in FIG. 8 taken along the line 11-11;

FIG. 12 is a right side elevation view of the design of the decorative panel shown in FIG. 8, which is also representative of the left side elevation view due to the symmetry of the design;

FIG. 13 is a perspective view of the design of the decorative panel shown in FIG. 8;

FIG. 14 is a perspective view of the design of the decorative panel shown in FIG. 8 illustrating one exemplary use of the decorative panel in a night stand;

FIG. 15 is a top plan view of a third embodiment of a decorative panel showing the claimed design;

FIG. 16 is a cross sectional elevation view of the design of the decorative panel shown in FIG. 15 taken along the line 16-16;

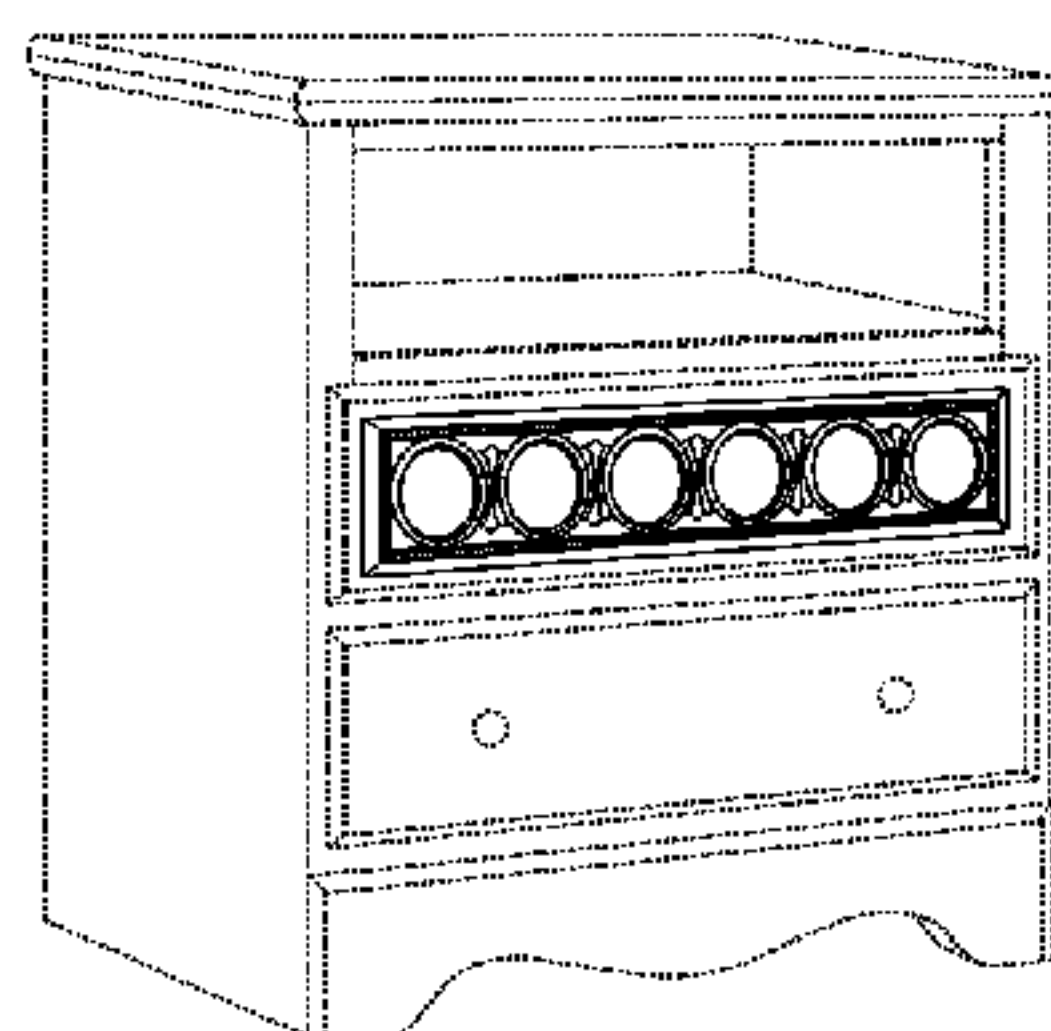
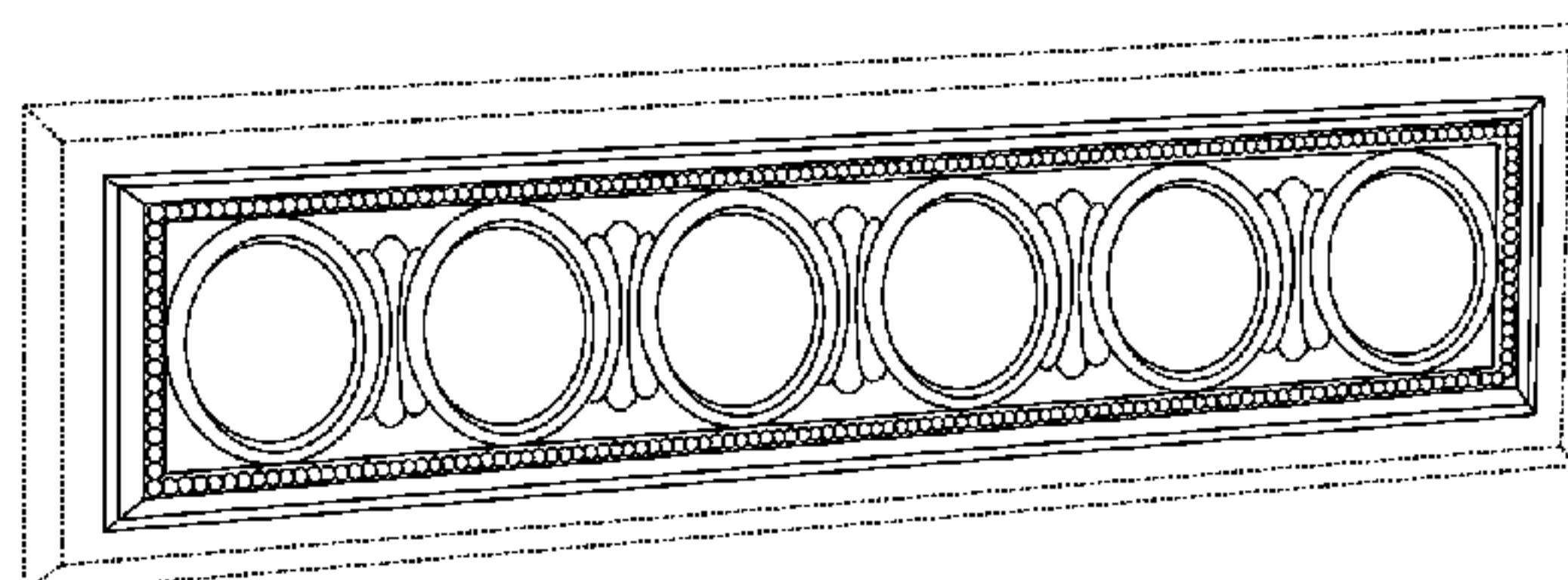


FIG. 17 is a front side elevation view of the design of the decorative panel shown in FIG. 15, which is also representative of the back side elevation view due to the symmetry of the design;

FIG. 18 is a cross sectional elevation view of the design of the decorative panel shown in FIG. 15 taken along the line 18-18; FIG. 19 is a right side elevation view of the design of the decorative panel shown in FIG. 15, which is also representative of the left side elevation view due to the symmetry of the design;

FIG. 20 is a perspective view of the design of the decorative panel shown in FIG. 15;

FIG. 21 is a perspective view of the design of the decorative panel shown in FIG. 15 illustrating one exemplary use of the decorative panel in a dresser; and,

FIG. 22 is a perspective view of the design of the decorative panel shown in FIG. 15 illustrating one exemplary use of the decorative panel in a chest of drawers.

The broken lines in the drawings are for illustrative purposes only and form no part of the claimed design.

1 Claim, 3 Drawing Sheets

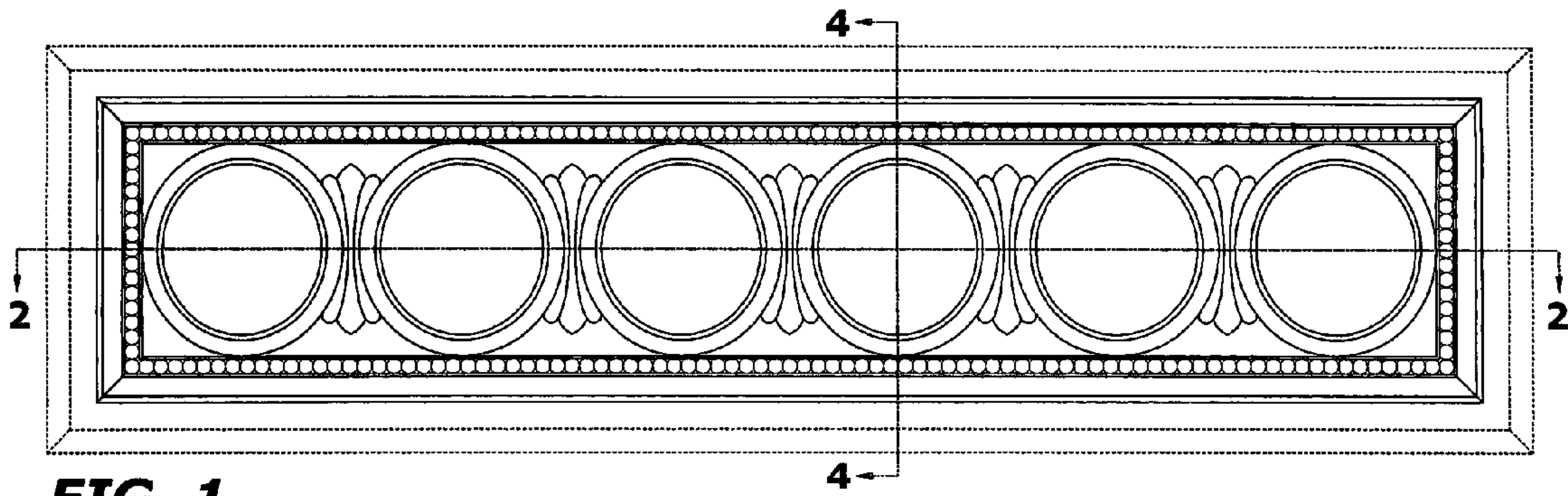


FIG. 1

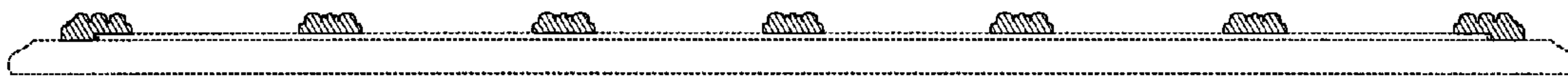


FIG. 2

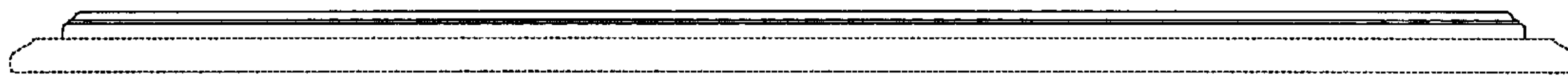


FIG. 3

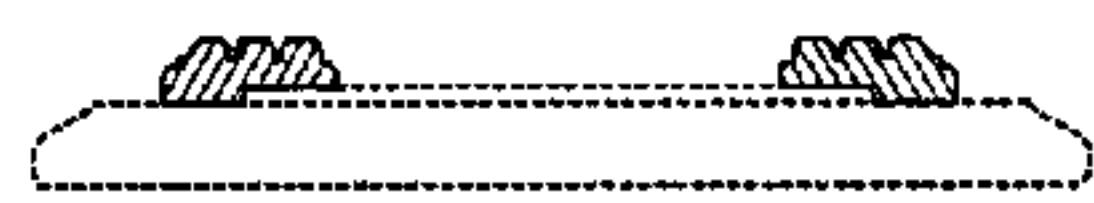


FIG. 4

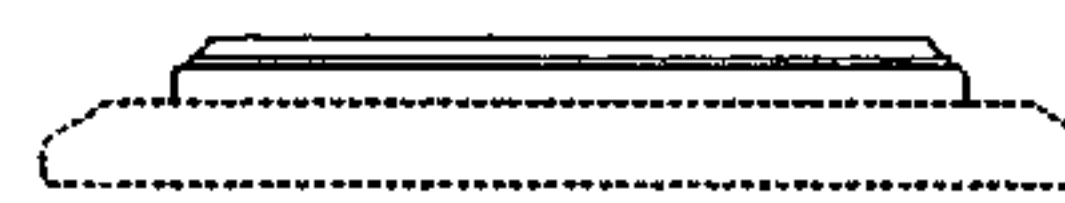


FIG. 5

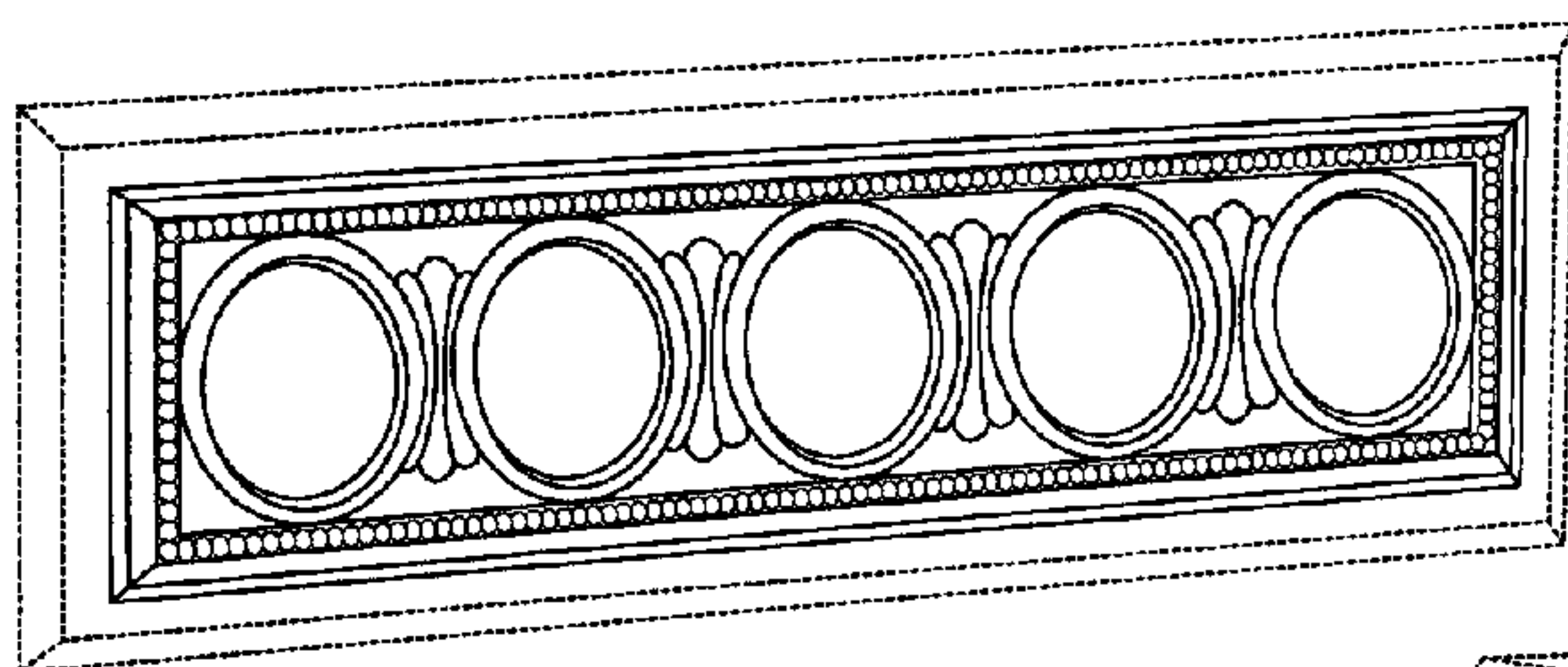
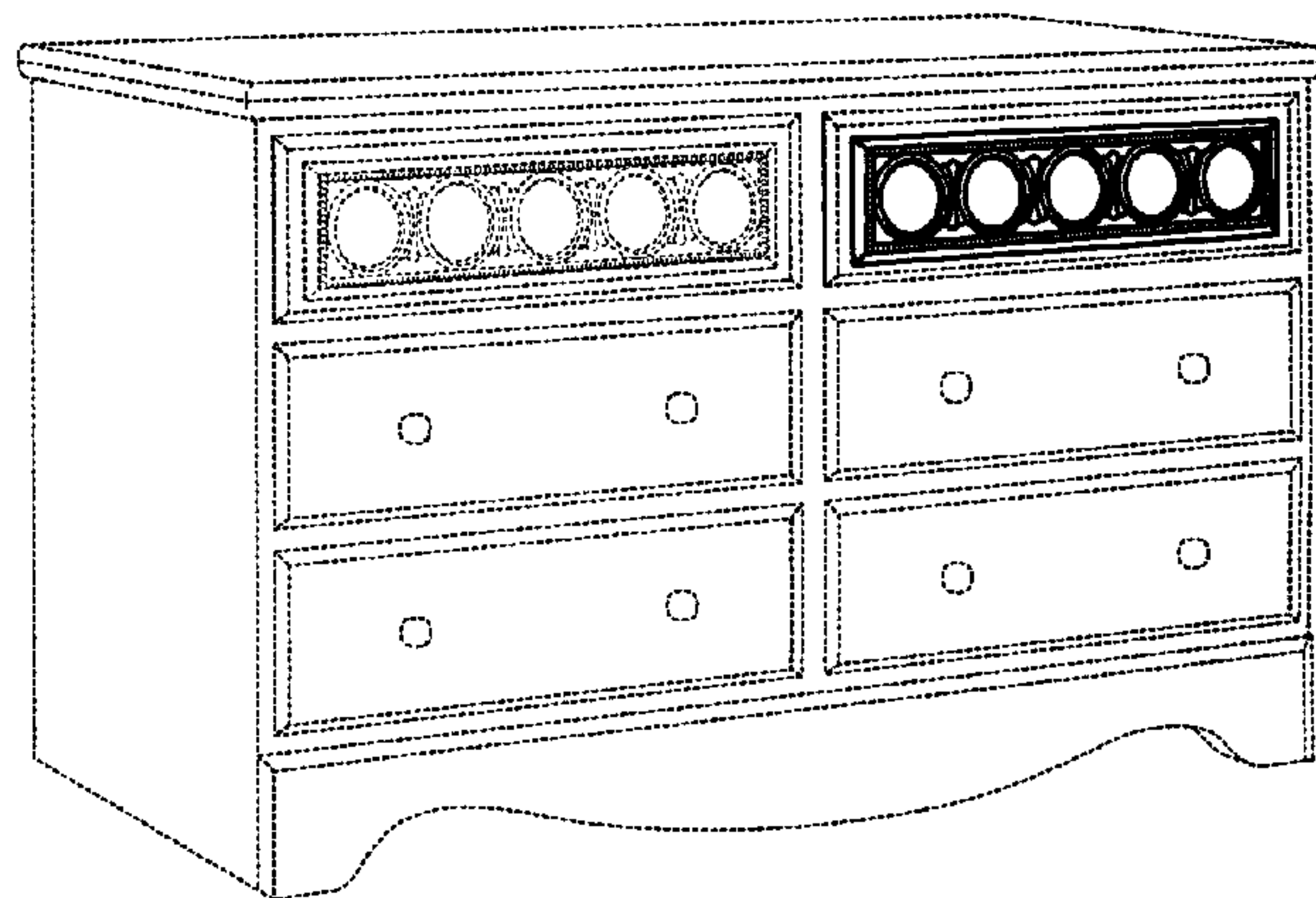


FIG. 6

FIG. 7



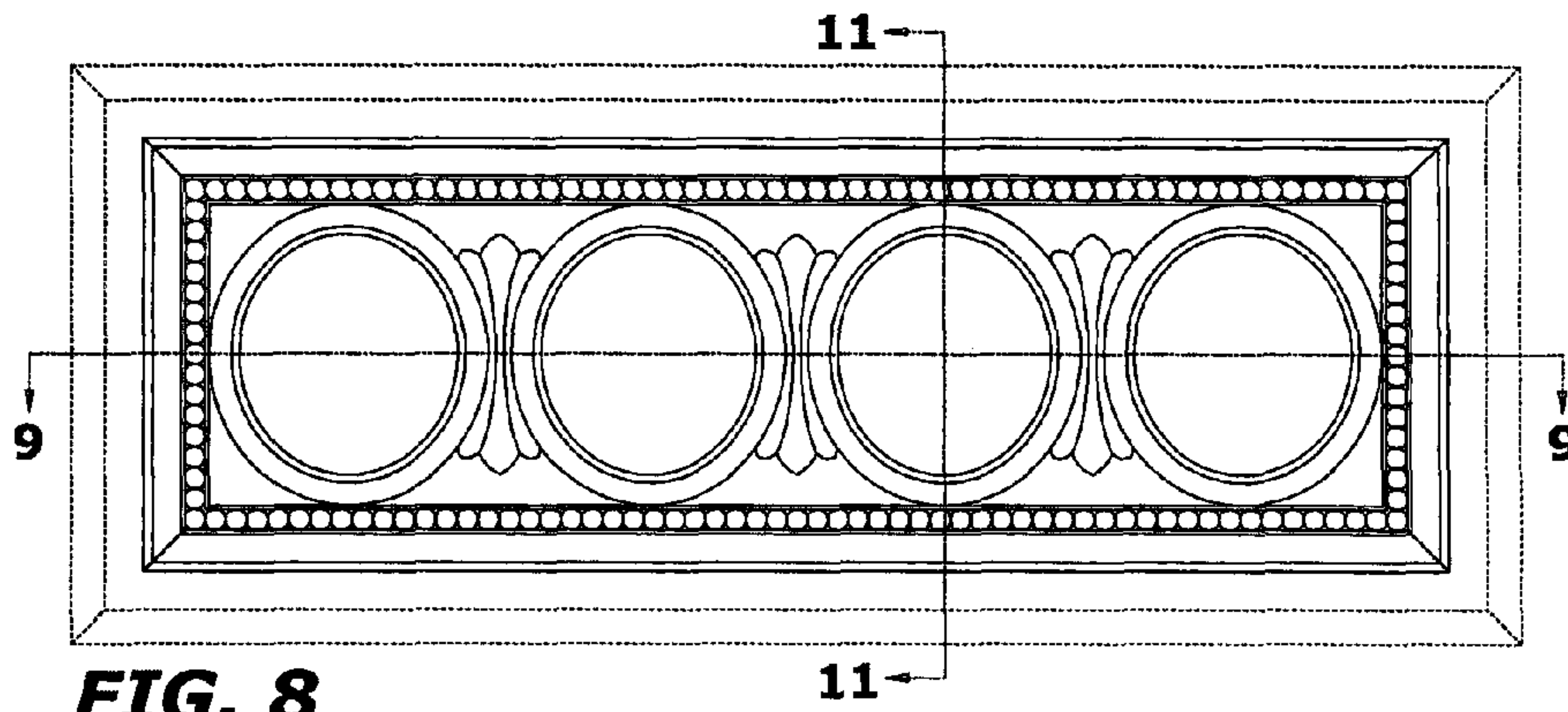


FIG. 8



FIG. 9

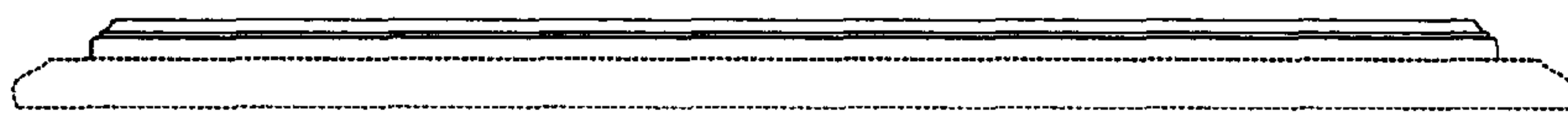


FIG. 10

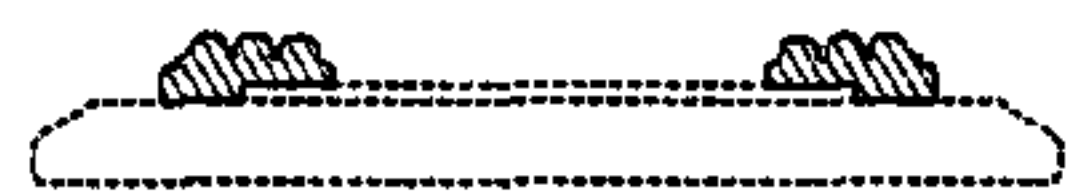


FIG. 11

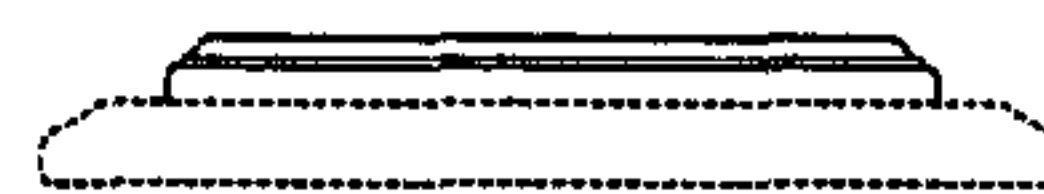


FIG. 12

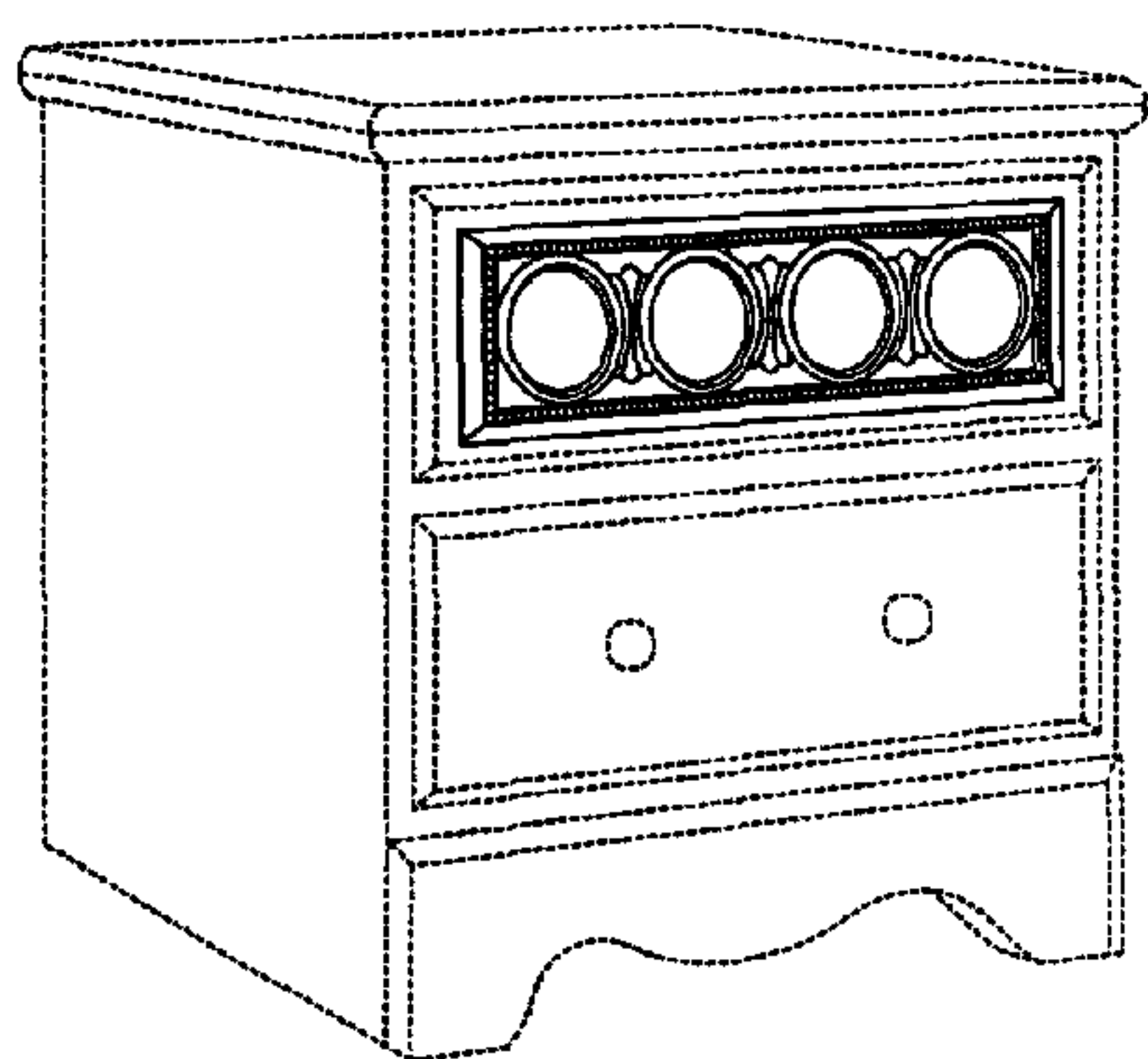


FIG. 14

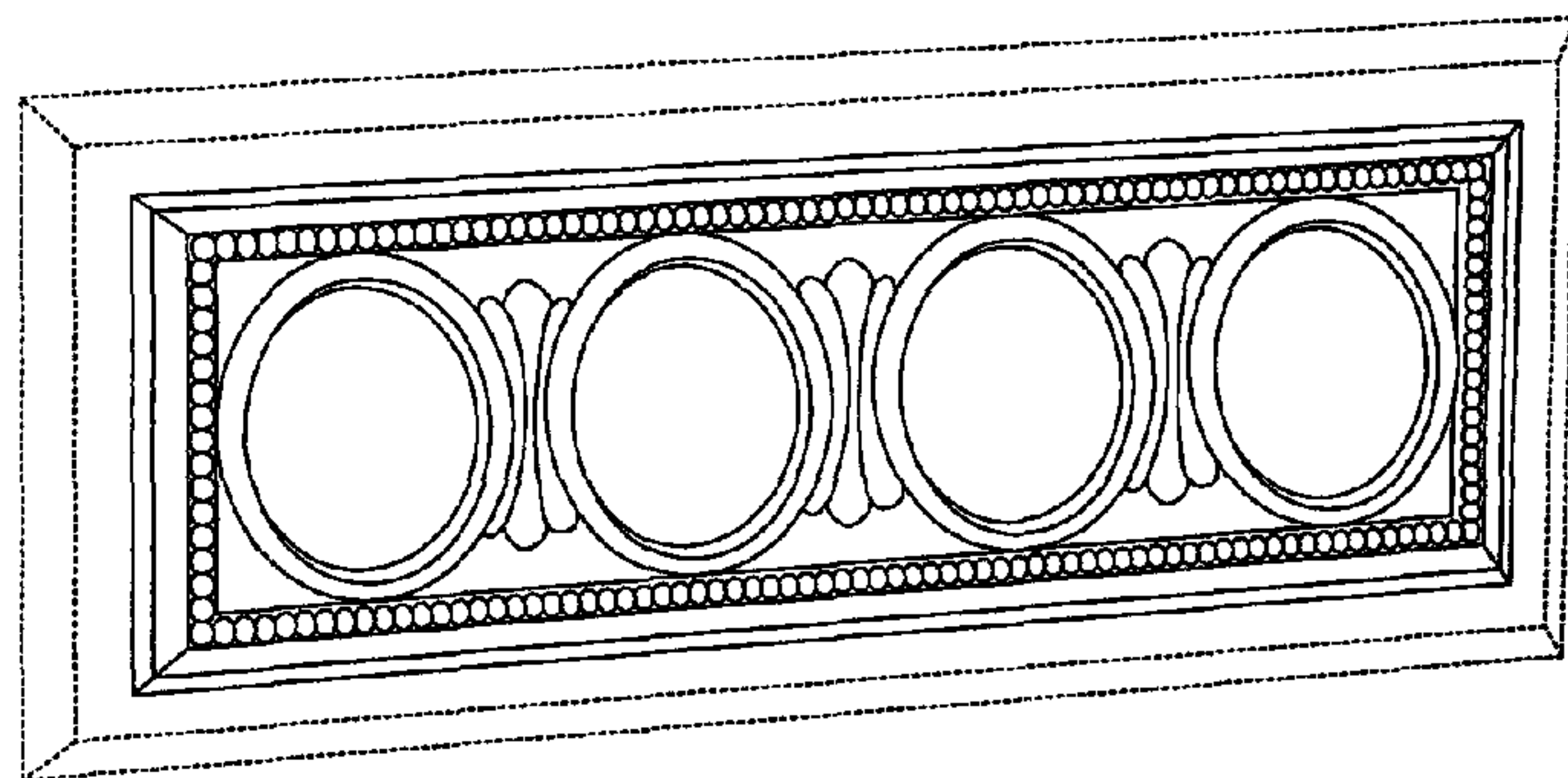


FIG. 13

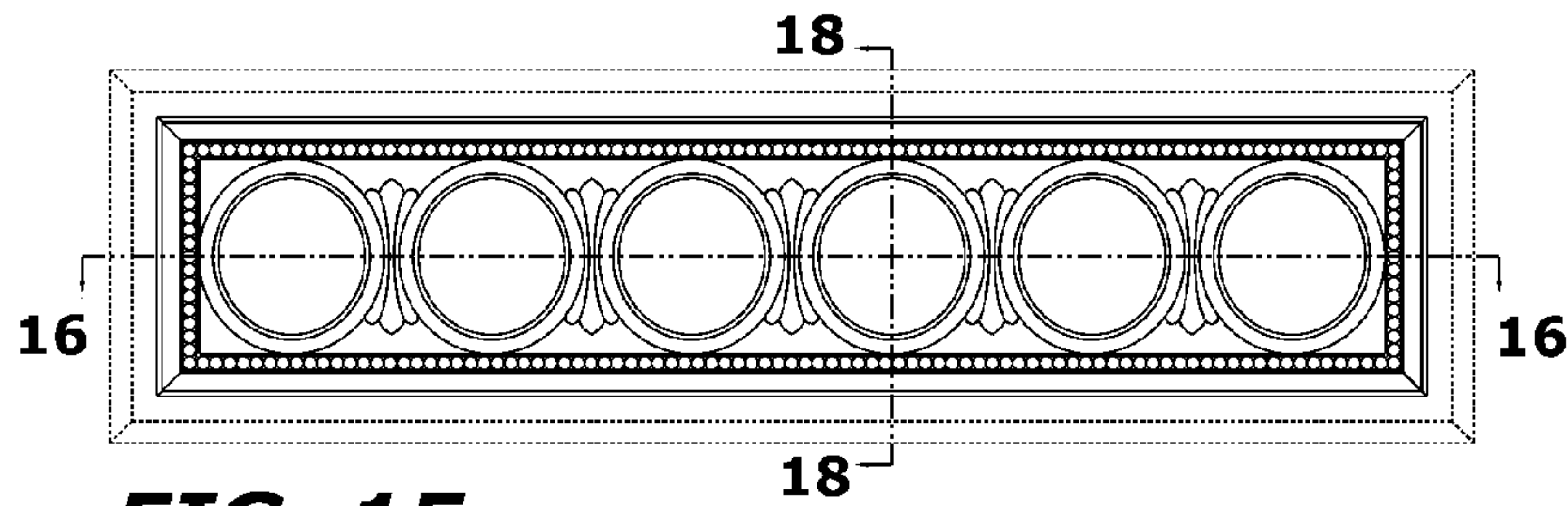


FIG. 15

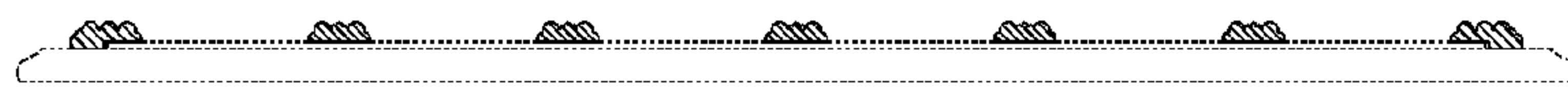


FIG. 16

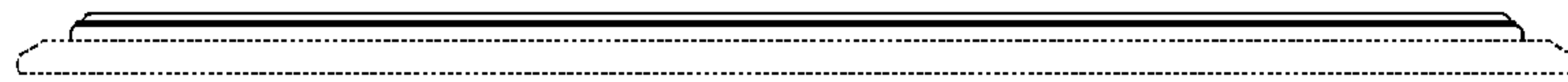


FIG. 17

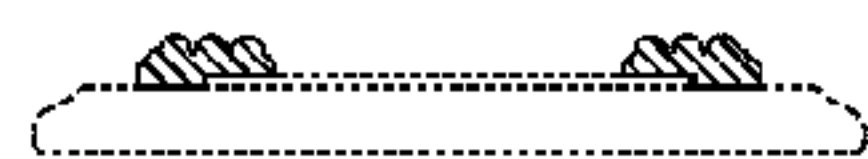


FIG. 18

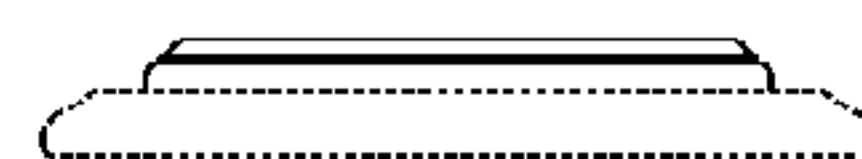


FIG. 19

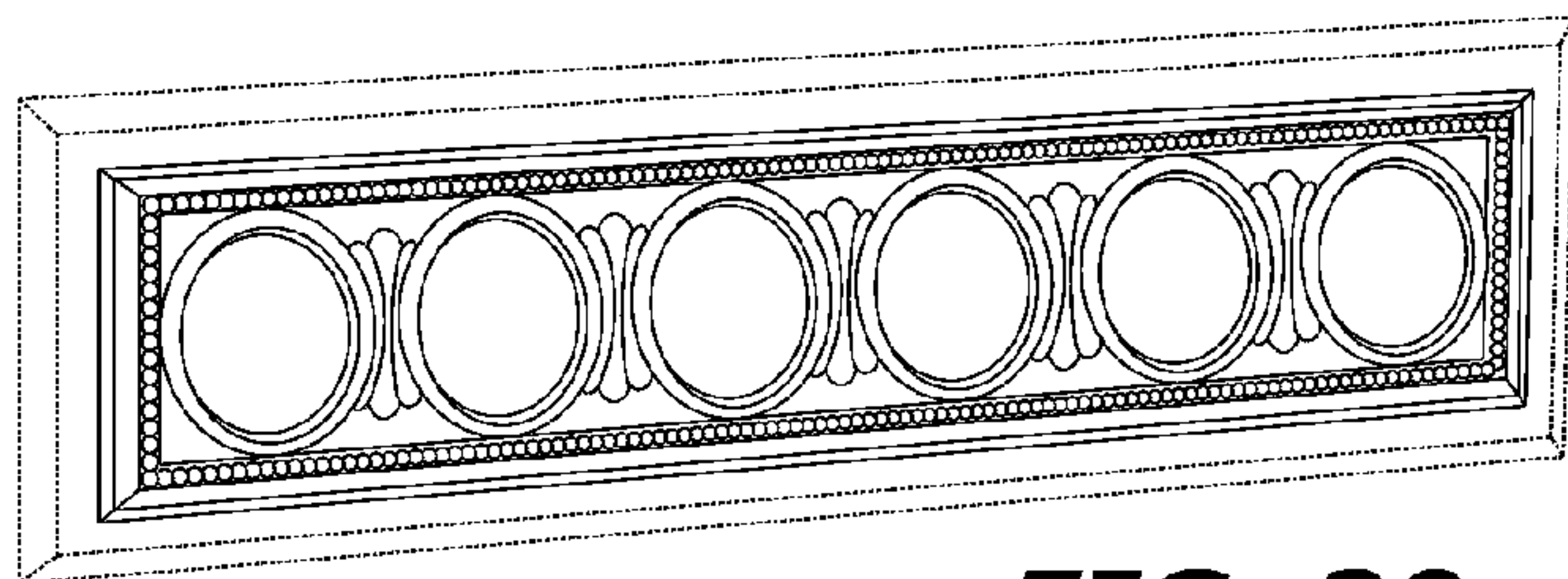


FIG. 20

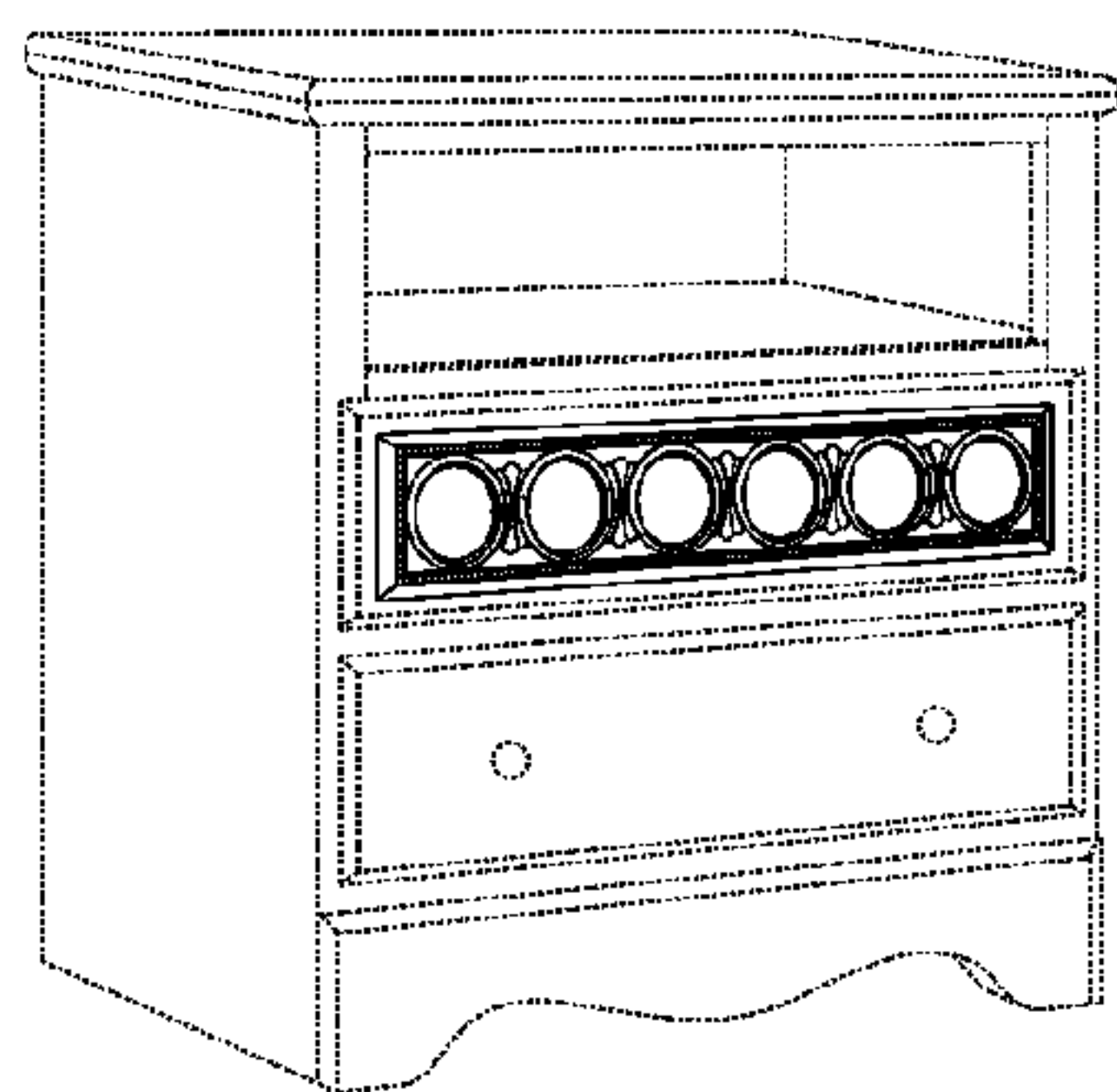


FIG. 21

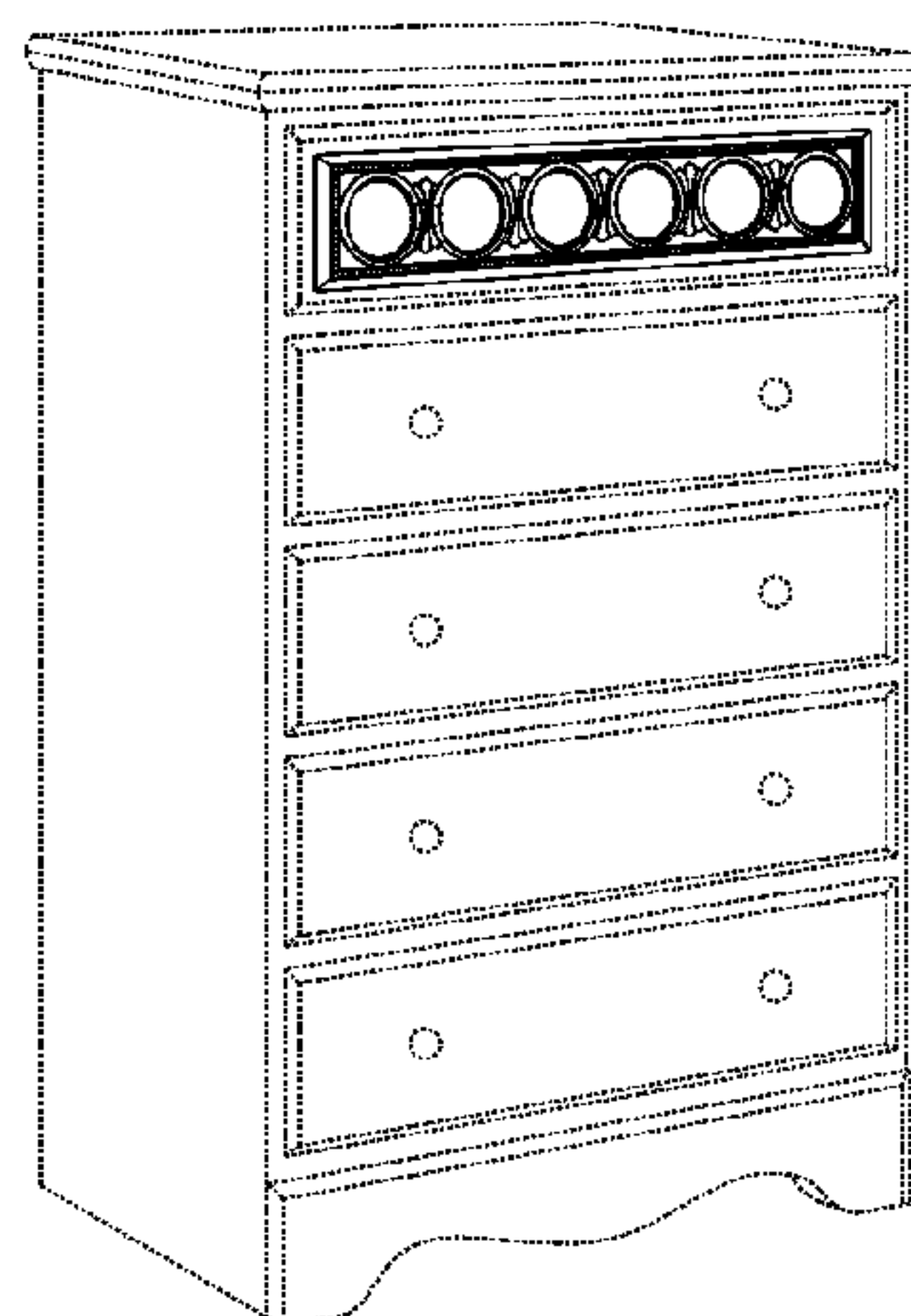


FIG. 22