

US00D695047S

(12) **United States Design Patent**
Awalt

(10) **Patent No.:** **US D695,047 S**

(45) **Date of Patent:** **** Dec. 10, 2013**

- (54) **PRODUCE DISPLAY STAND**
- (71) Applicant: **Terry Awalt**, Dedham, ME (US)
- (72) Inventor: **Terry Awalt**, Dedham, ME (US)
- (73) Assignee: **JSI Store Fixtures, Inc.**, Milo, ME (US)

6,648,154	B2	11/2003	Awalt	
6,872,338	B2 *	3/2005	Awalt	264/51
D538,643	S *	3/2007	Babbino et al.	D9/430
7,249,746	B2	7/2007	Awalt	
D587,934	S *	3/2009	Winig et al.	D6/449
D637,162	S *	5/2011	Bridgman	D13/152
2003/0057169	A1 *	3/2003	Awalt	211/85.4
2003/0057170	A1 *	3/2003	Awalt	211/85.4

(**) Term: **14 Years**

* cited by examiner

(21) Appl. No.: **29/448,830**

Primary Examiner — Kelley Donnelly

(22) Filed: **Mar. 14, 2013**

(74) *Attorney, Agent, or Firm* — Anthony D. Pellegrini

Related U.S. Application Data

(62) Division of application No. 13/801,080, filed on Mar. 13, 2013.

(51) **LOC (9) Cl.** **06-06**

(52) **U.S. Cl.**
USPC **D6/683.1**

(58) **Field of Classification Search**
USPC D6/396–397, 411, 437, 449, 491,
D6/509–511, 515, 567, 672, 675–675.1,
D6/683.1; 211/87.01, 13.1, 85.6, 85.1,
211/85.13, 85.4; 206/5, 6, 6.1
See application file for complete search history.

(56) **References Cited**

U.S. PATENT DOCUMENTS

2,153,119	A *	4/1939	Kahn et al.	52/534
D390,732	S *	2/1998	Nadar	D6/509
D411,444	S *	6/1999	Dauphin	D9/760
D454,544	S *	3/2002	Takach et al.	D13/152

(57) **CLAIM**

The ornamental design for a produce display stand, as shown and described.

DESCRIPTION

FIG. 1 is a perspective top view of the produce display stand. FIG. 2 is a plan side view of the produce display stand depicted in FIG. 1. The opposite plan side view of the produce display stand is identical to FIG. 2.

FIG. 3 is a plan front view of the produce display stand depicted in FIG. 1. The plan rear view of the produce display stand is identical to FIG. 3.

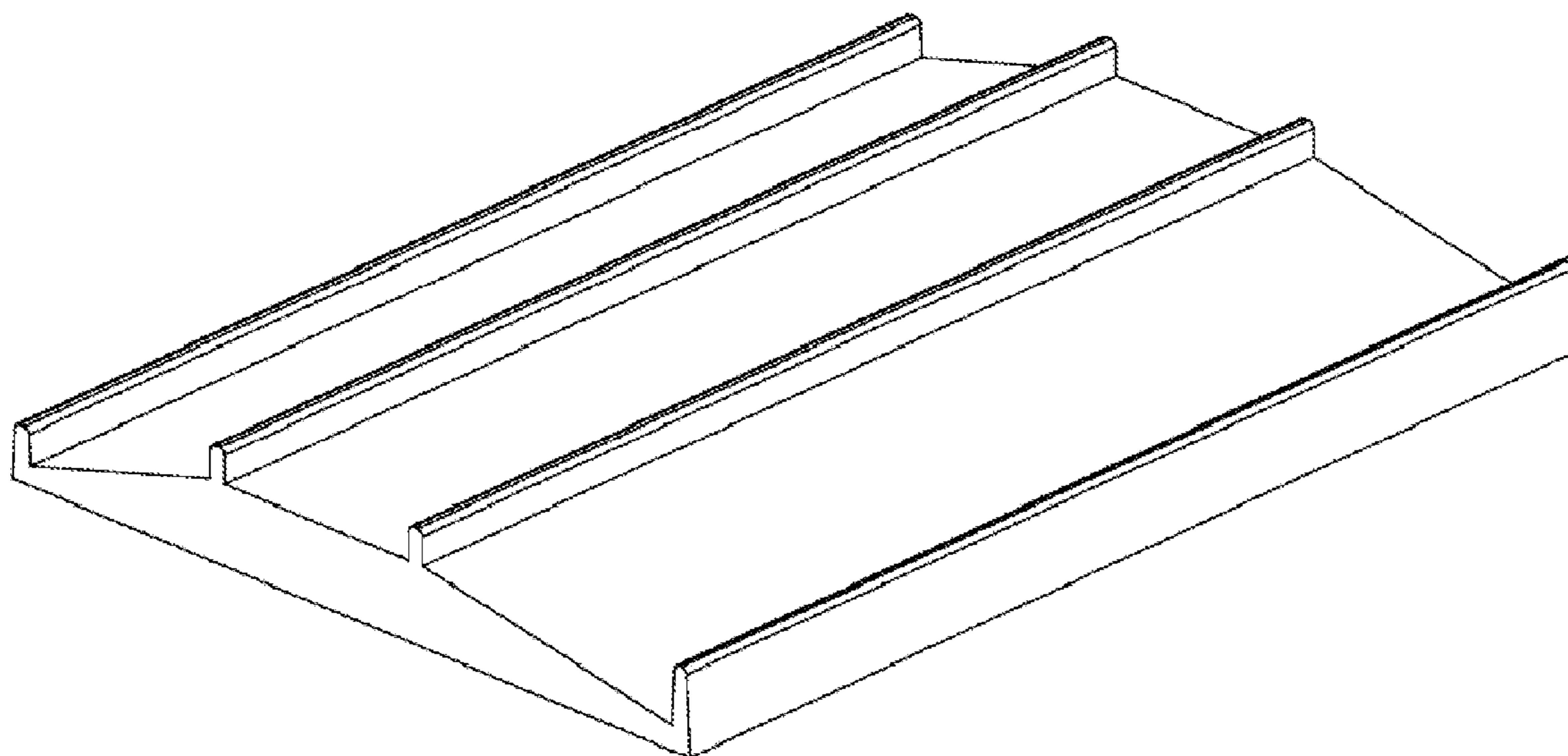
FIG. 4 is a plan top view of the produce display stand depicted in FIG. 1.

FIG. 5 is a plan bottom view of the produce display stand depicted in FIG. 1; and,

FIG. 6 is a perspective bottom view of the produce display stand depicted in FIG. 1.

Color is not a claimed feature; the shading in FIGS. 1-6 is to show contour only.

1 Claim, 6 Drawing Sheets



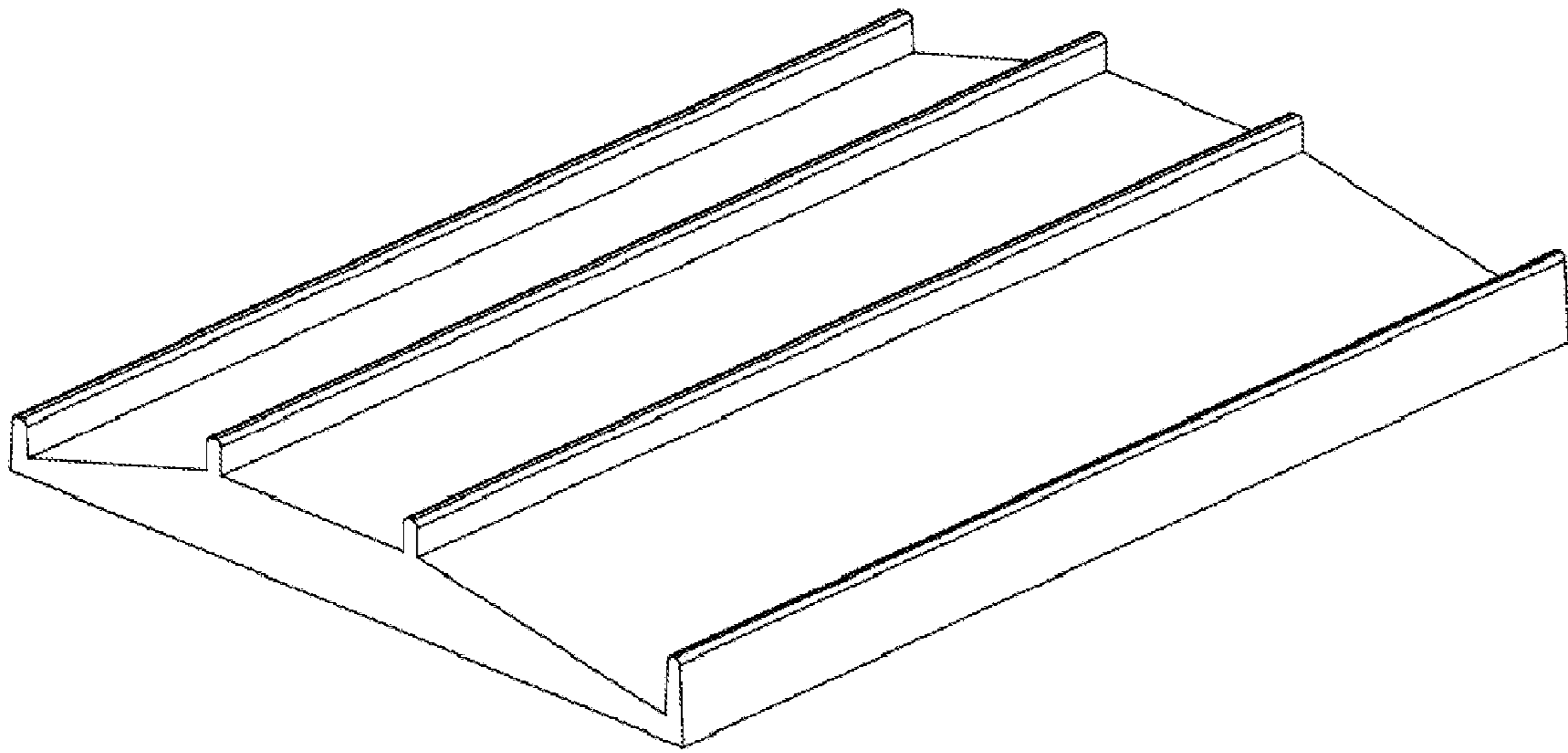


Fig. 1

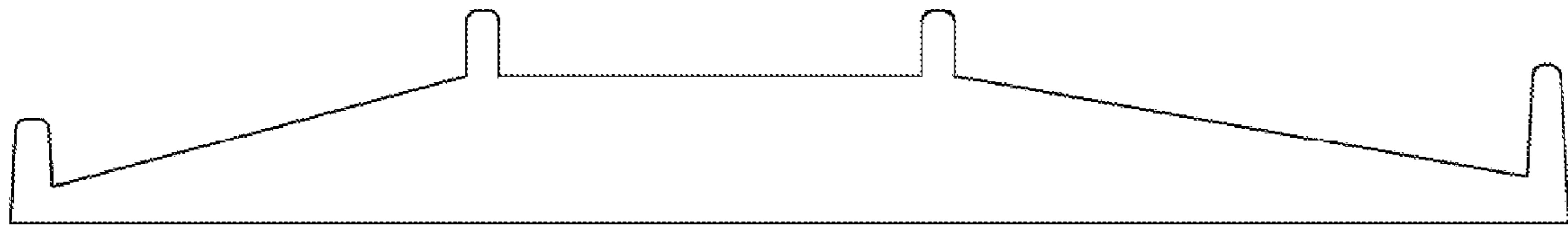


Fig. 2

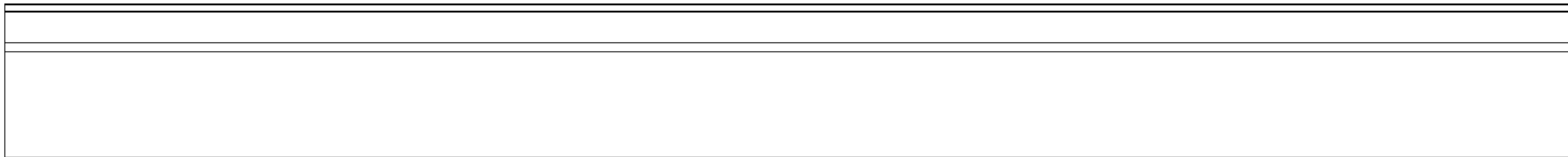


Fig. 3

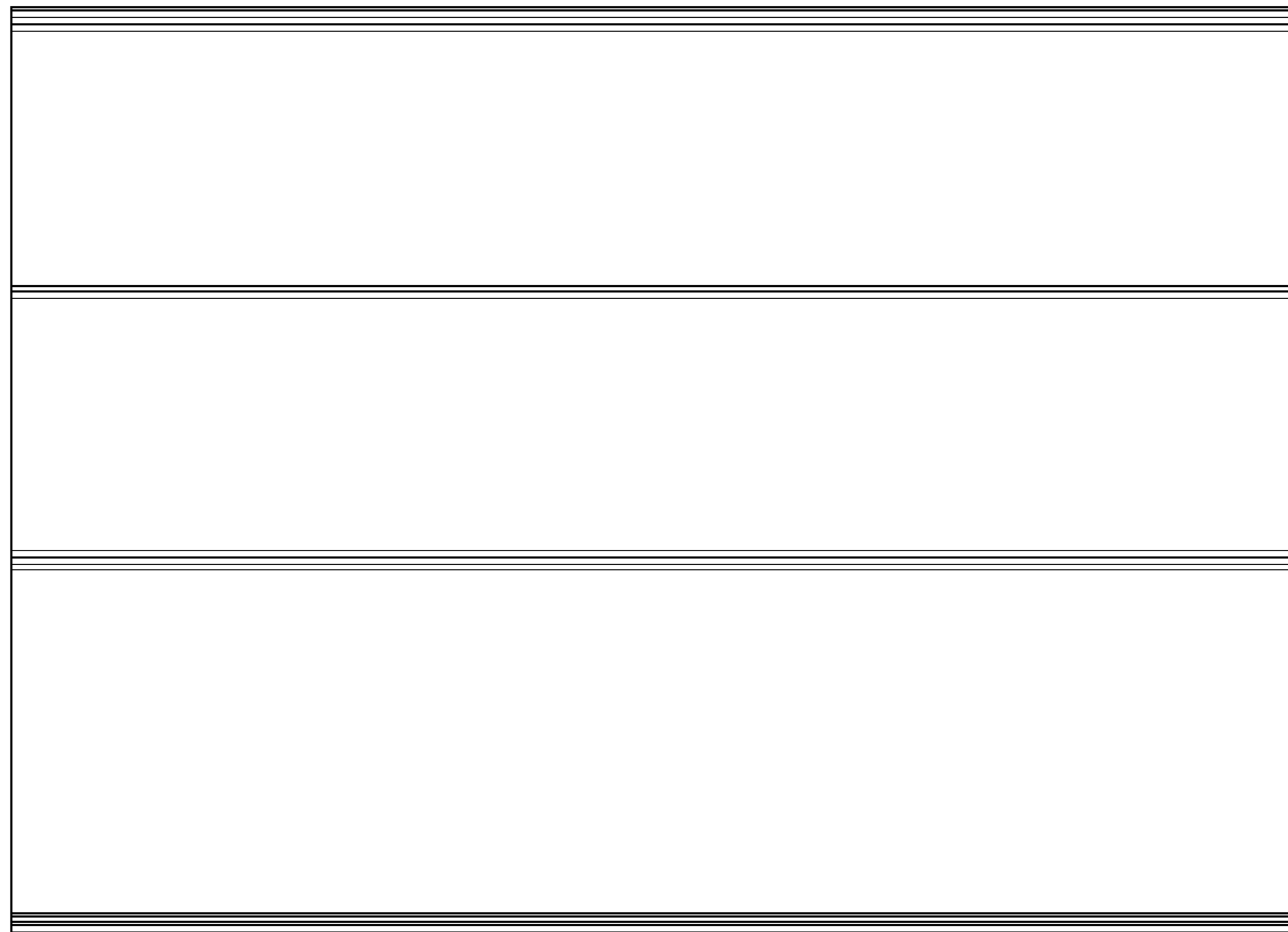


Fig. 4

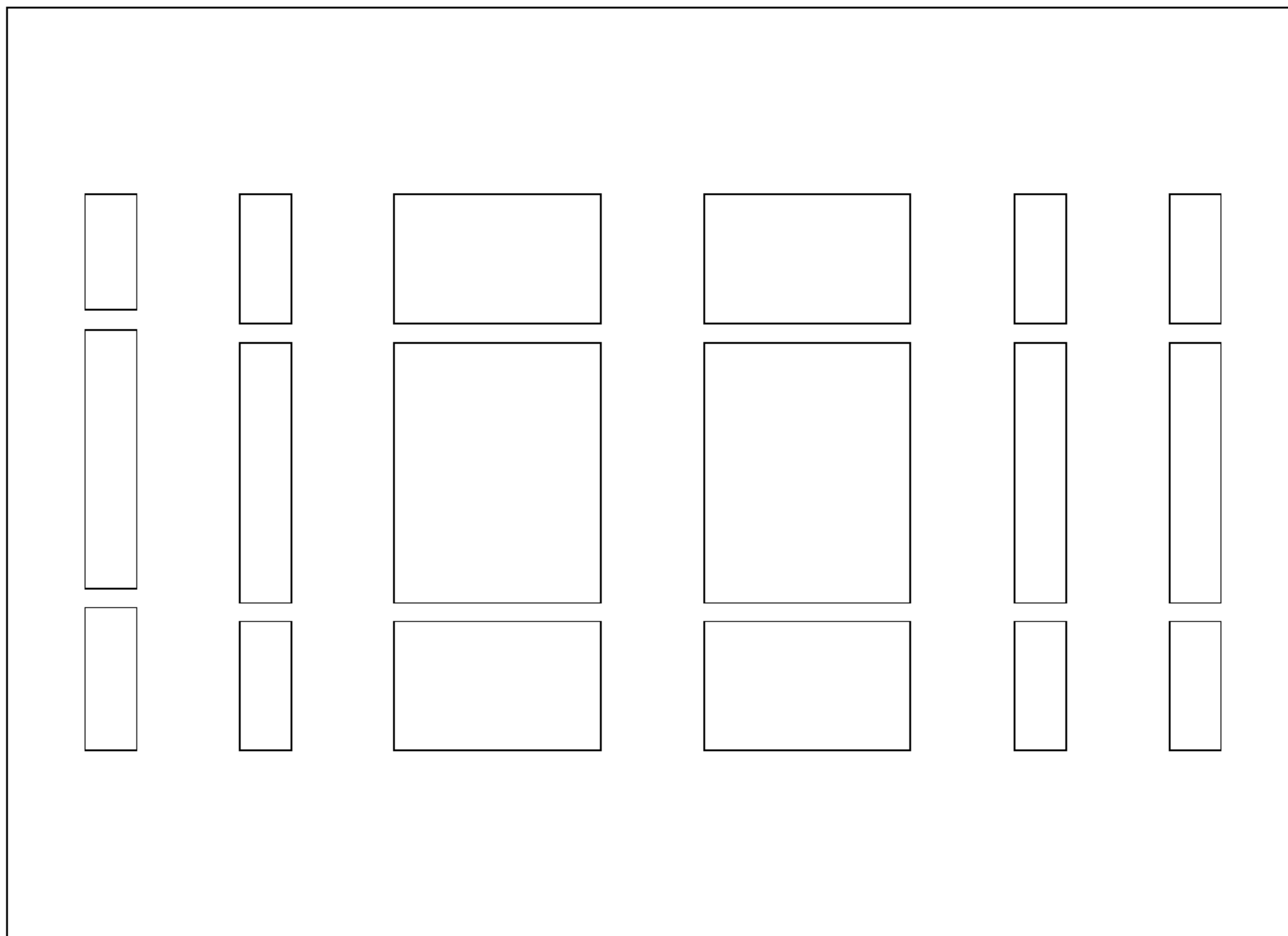


Fig. 5

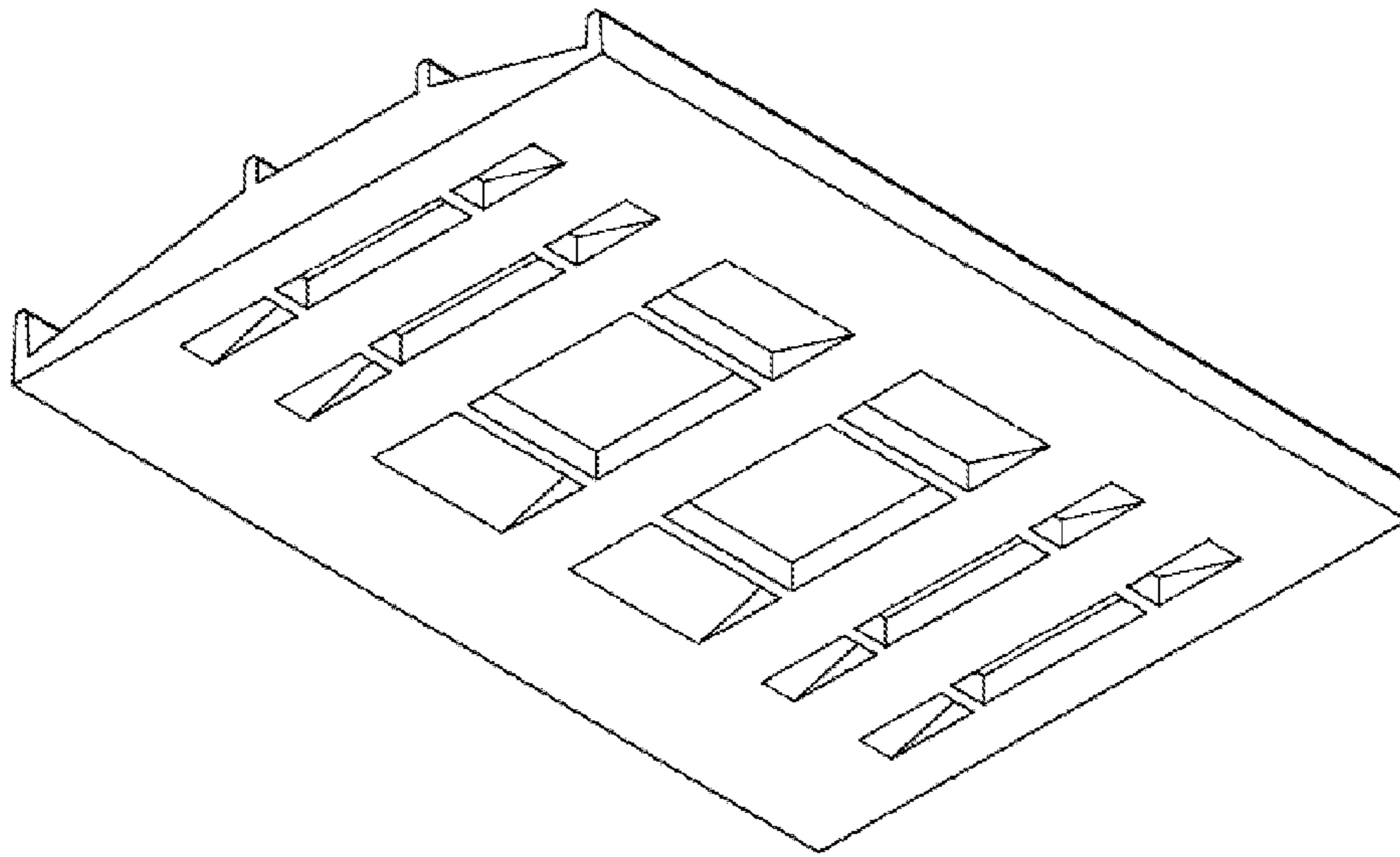


Fig. 6