



US00D695044S

(12) **United States Design Patent**  
**Gumbrecht**

(10) **Patent No.:** **US D695,044 S**

(45) **Date of Patent:** **\*\* Dec. 10, 2013**

(54) **NECK AND HEAD SUPPORT**

(76) Inventor: **Henri Gumbrecht**, Putnam Valley, NY  
(US)

(\*\*) Term: **14 Years**

(21) Appl. No.: **29/430,734**

(22) Filed: **Aug. 29, 2012**

(51) **LOC (9) Cl.** ..... **06-09**

(52) **U.S. Cl.**  
USPC ..... **D6/604**; D6/601

(58) **Field of Classification Search**  
USPC ..... D6/595-597, 601, 604; 5/630, 636,  
5/639, 652, 653, 654, 655, 655.3, 655.9  
See application file for complete search history.

(56) **References Cited**

**U.S. PATENT DOCUMENTS**

5,026,315	A *	6/1991	Chap	.....	5/636
D413,751	S *	9/1999	Alyea	.....	D6/601
D417,811	S *	12/1999	Smith	.....	D6/596
6,230,348	B1 *	5/2001	Patrikakis	.....	5/636
D590,198	S *	4/2009	Nostrant	.....	D6/601

D669,724 S \* 10/2012 Kokoshari ..... D6/601  
2007/0211004 A1 \* 9/2007 Yoshihara et al. .... 345/87

\* cited by examiner

*Primary Examiner* — Janice Seeger

(74) *Attorney, Agent, or Firm* — Donald J. Ranft; Collen IP

(57) **CLAIM**

The ornamental design for a neck and head support, as shown and described.

**DESCRIPTION**

FIG. 1 is a top perspective view of a neck and head support showing our new design;

FIG. 2 is a bottom perspective view thereof;

FIG. 3 is a top view thereof;

FIG. 4 is a bottom view thereof;

FIG. 5 is a left side view thereof;

FIG. 6 is a right side view thereof;

FIG. 7 is a front view thereof;

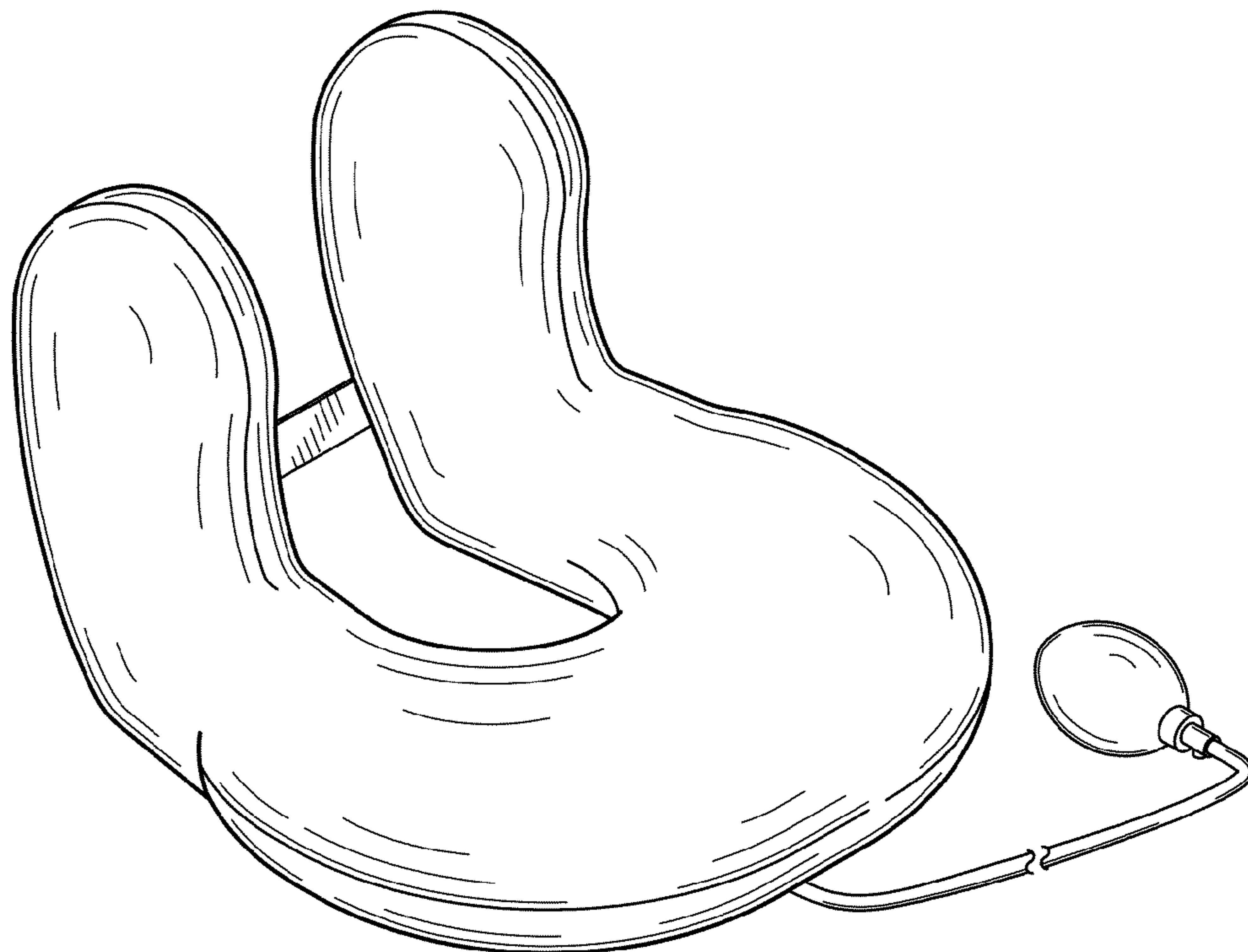
FIG. 8 is a rear view thereof;

FIG. 9 is a deflated view thereof; and,

FIG. 10 is an inflated view thereof.

The environment portions of the figures shown in broken lines form no part of the claimed design.

**1 Claim, 6 Drawing Sheets**



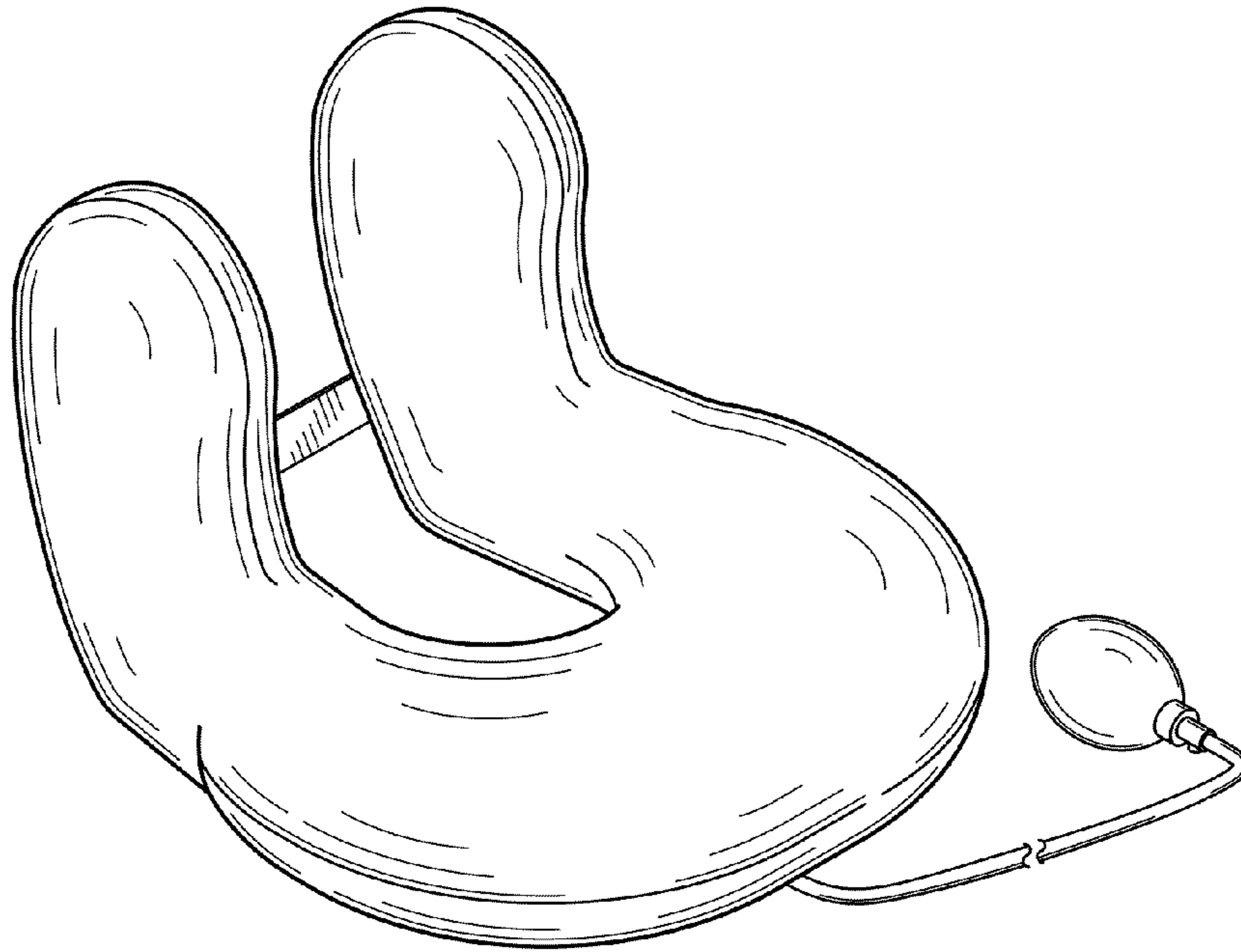


FIG. 1

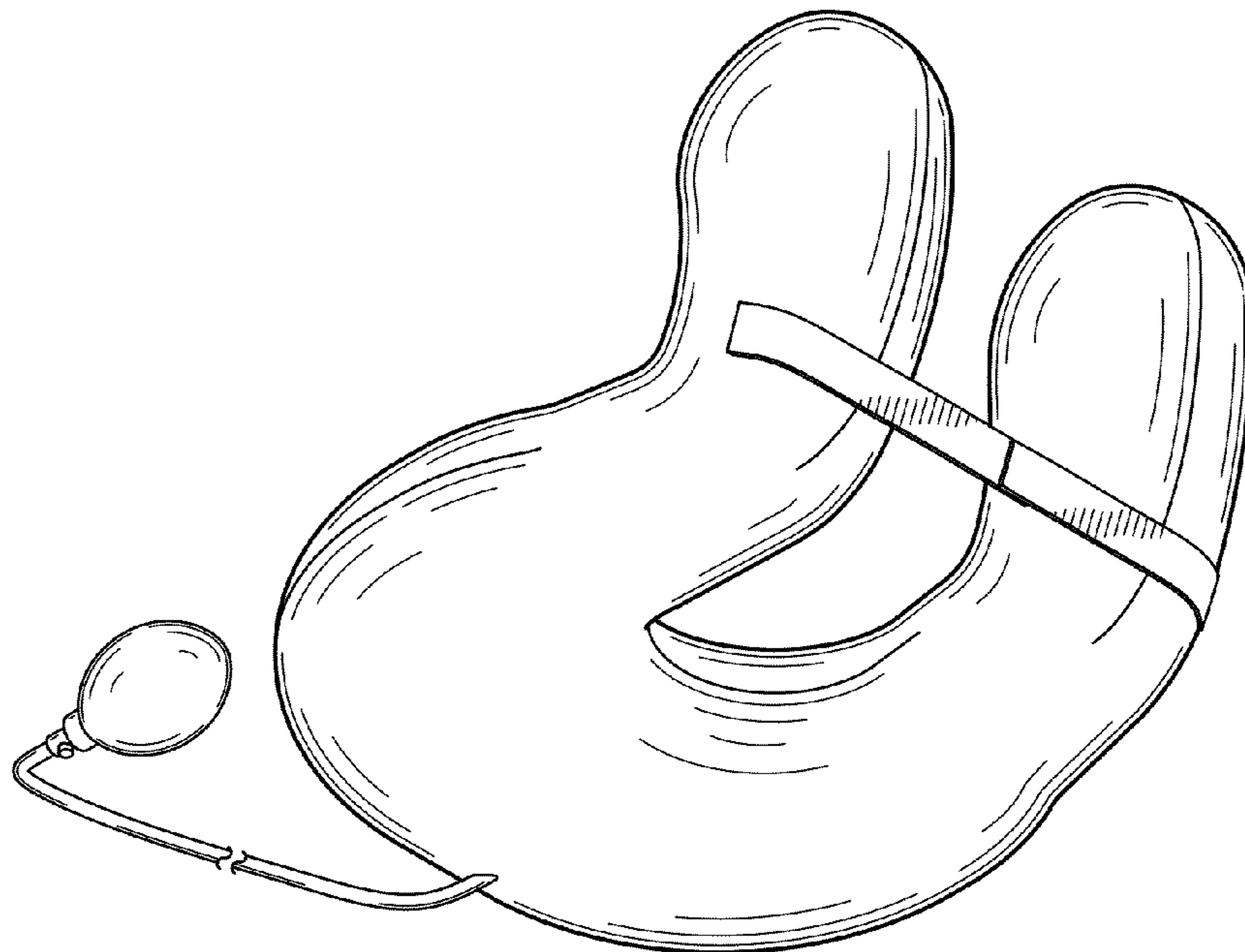


FIG. 2

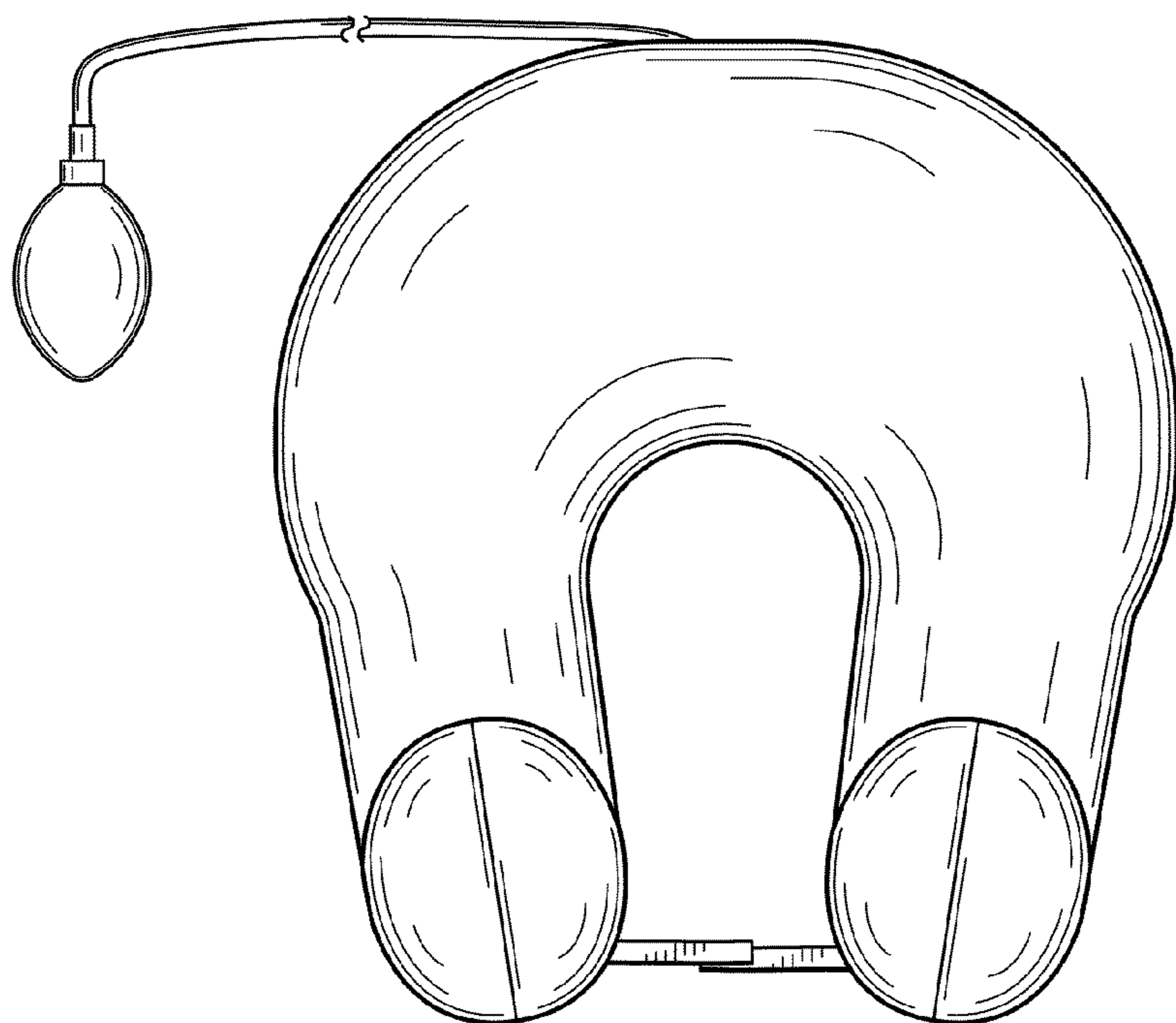


FIG. 3

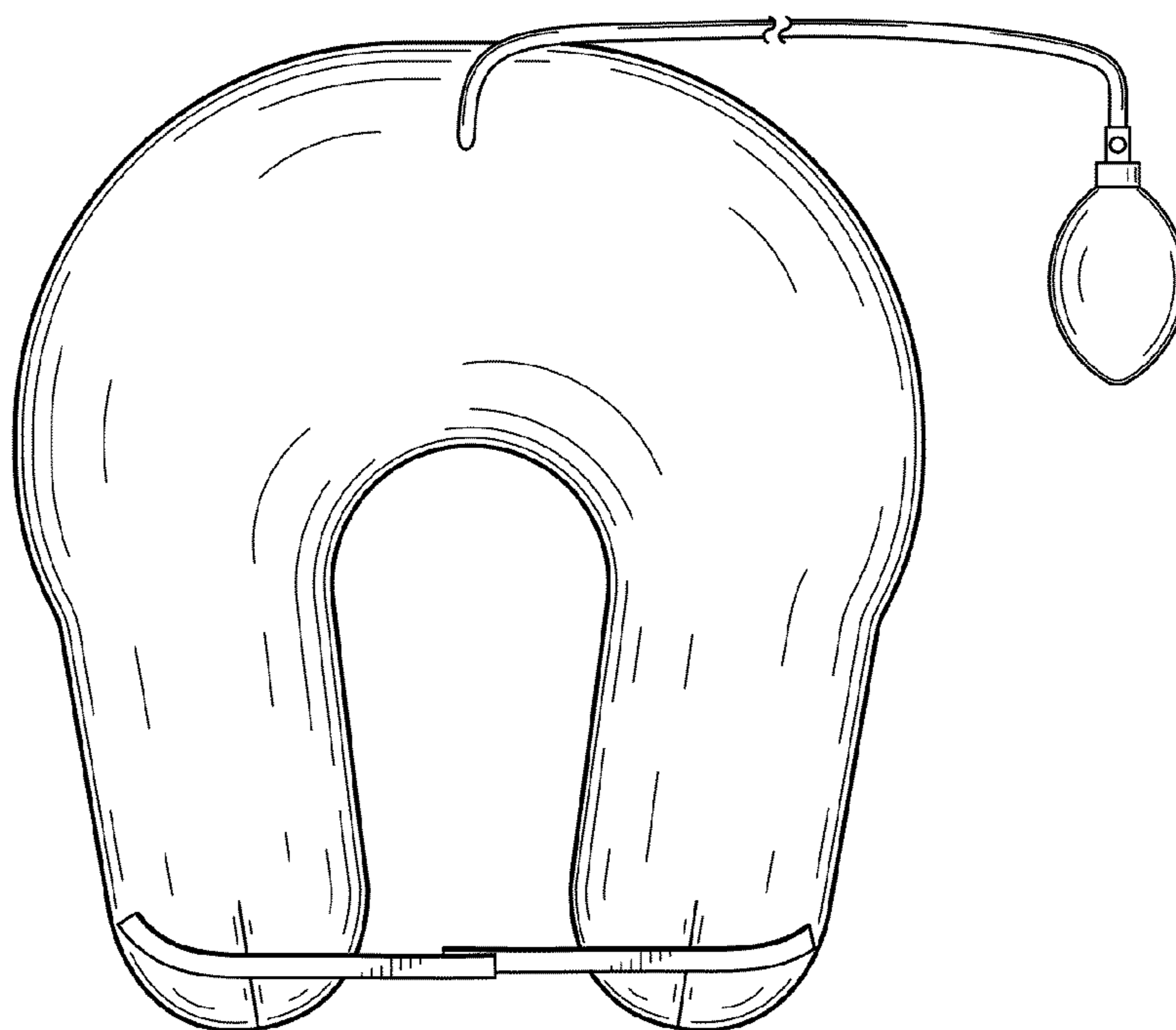


FIG. 4

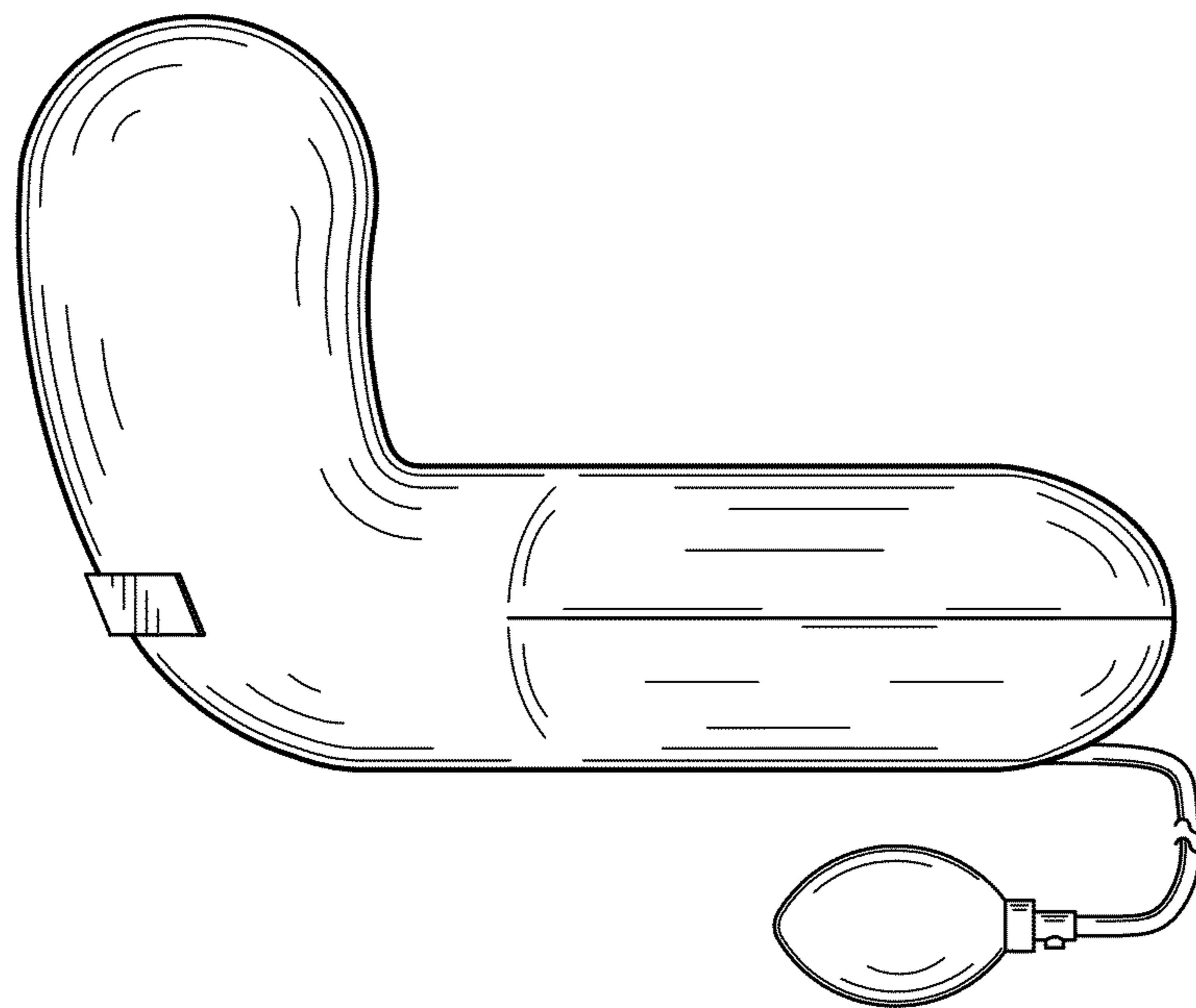


FIG. 5

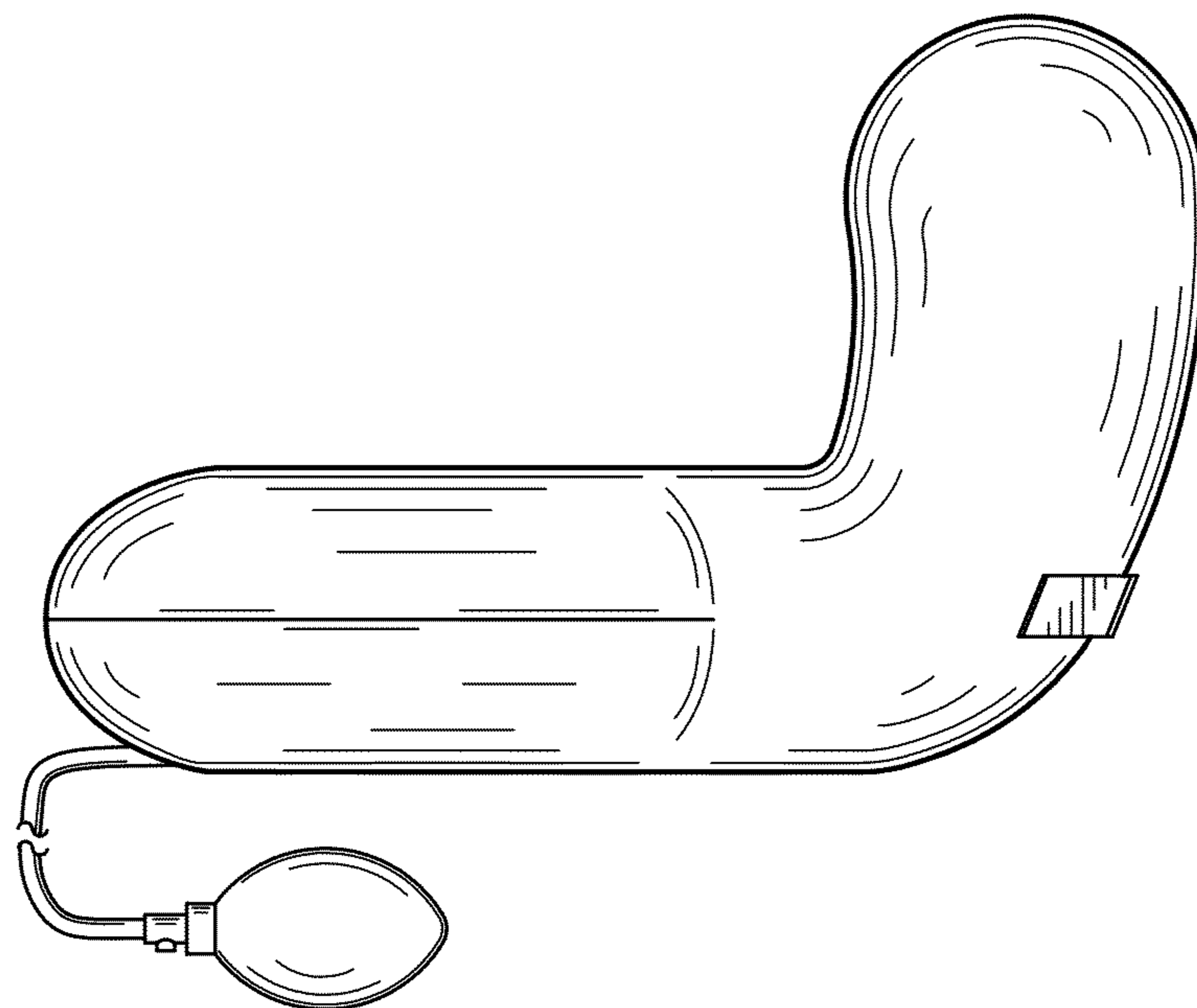


FIG. 6

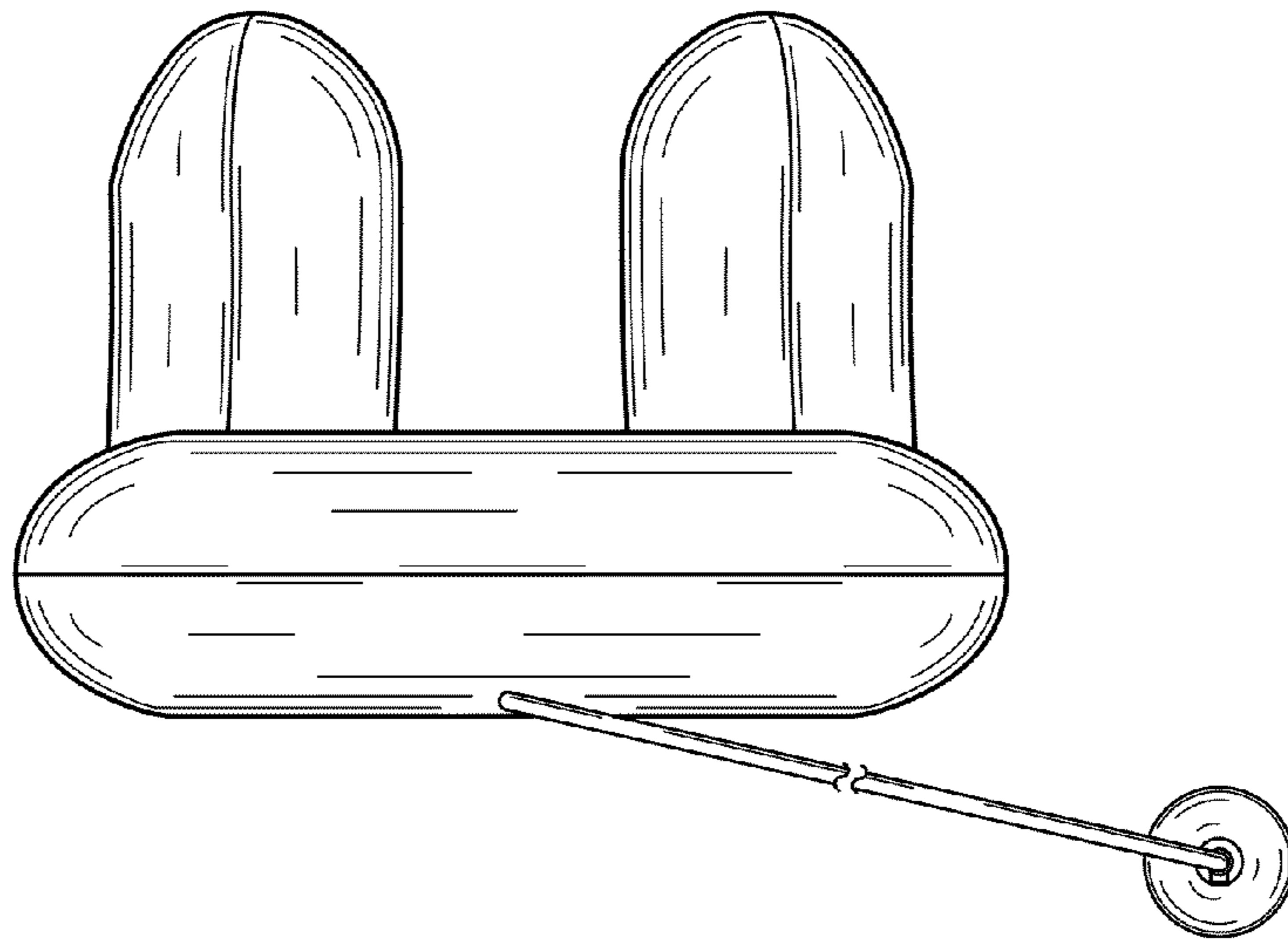


FIG. 7

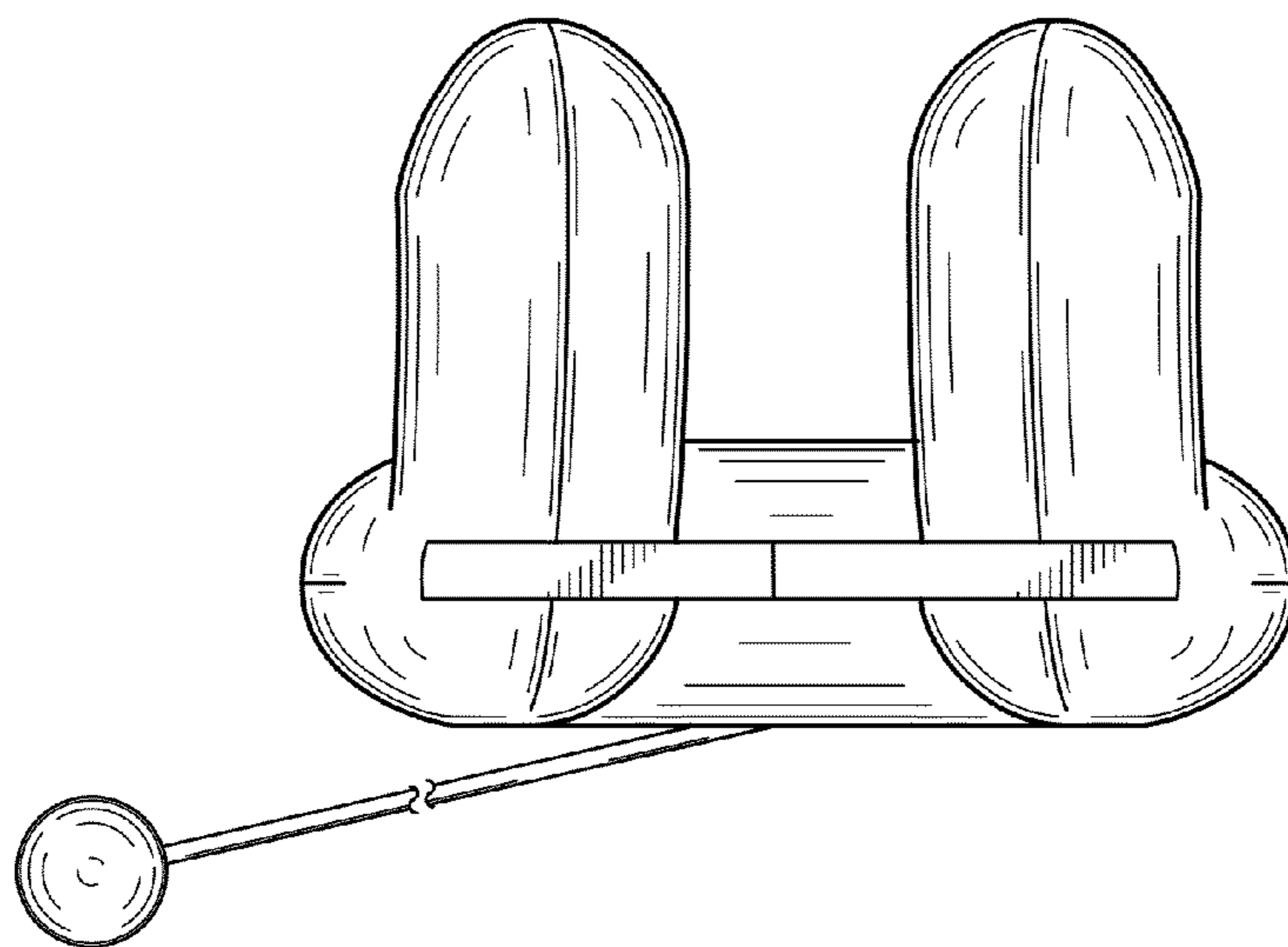


FIG. 8



FIG. 9



FIG. 10