



US00D695042S

(12) **United States Design Patent**
Licciardi Di Stefano

(10) **Patent No.:** **US D695,042 S**
(45) **Date of Patent:** **** Dec. 10, 2013**

(54) **SPINDLE COVER**

(71) Applicant: **Carmelo Joseph Licciardi Di Stefano,**
Broadmeadows (AU)

(72) Inventor: **Carmelo Joseph Licciardi Di Stefano,**
Broadmeadows (AU)

(**) Term: **14 Years**

(21) Appl. No.: **29/451,530**

(22) Filed: **Apr. 3, 2013**

(30) **Foreign Application Priority Data**

Oct. 4, 2012 (AU) 14948/2012

(51) **LOC (9) Cl.** **06-10**

(52) **U.S. Cl.**
USPC **D6/580**

(58) **Field of Classification Search**
USPC D6/575-580; D8/349, 352, 353, 368,
D8/369, 376; 160/84.01-84.08, 107, 108,
160/111, 113, 130, 133, 166.1, 168.1 R,
160/199, 330

See application file for complete search history.

(56) **References Cited**

U.S. PATENT DOCUMENTS

2,173,275	A *	9/1939	Houmere	160/89
5,375,643	A	12/1994	Rude	
5,507,374	A	4/1996	Rude	
D411,732	S *	6/1999	Chamberlain	D8/350
5,909,791	A	6/1999	DiStefano	
5,983,972	A *	11/1999	Chou	160/319
6,138,740	A *	10/2000	Chou	160/319
6,158,563	A *	12/2000	Welfonder et al.	192/223.3
6,173,825	B1	1/2001	Liu	
6,685,592	B2 *	2/2004	Fraczek et al.	475/14
D509,092	S	9/2005	Allsopp	
7,195,052	B2	3/2007	Nien et al.	

7,287,570	B2	10/2007	Strand	
7,387,150	B2	6/2008	Liu	
7,497,242	B2	3/2009	Wang	
D596,435	S	7/2009	Wills	
D634,573	S *	3/2011	Risher	D6/580
7,931,069	B2 *	4/2011	Cannaverde et al.	160/173 R
8,136,569	B2	3/2012	Bohlen et al.	
D675,050	S	1/2013	Garcia	
8,360,130	B2	1/2013	Cannaverde et al.	
8,474,509	B2 *	7/2013	Koop	160/321
2005/0247413	A1 *	11/2005	Nien et al.	160/321
2009/0205788	A1 *	8/2009	Cannaverde et al.	160/168.1 R
2009/0283222	A1	11/2009	Wang	
2010/0307697	A1 *	12/2010	Perkowitz	160/108
2012/0291965	A1 *	11/2012	Marocco	160/120

* cited by examiner

Primary Examiner — Karen S Acker

(74) *Attorney, Agent, or Firm* — Hahn, Loeser & Parks LLP;
Arland T. Stein

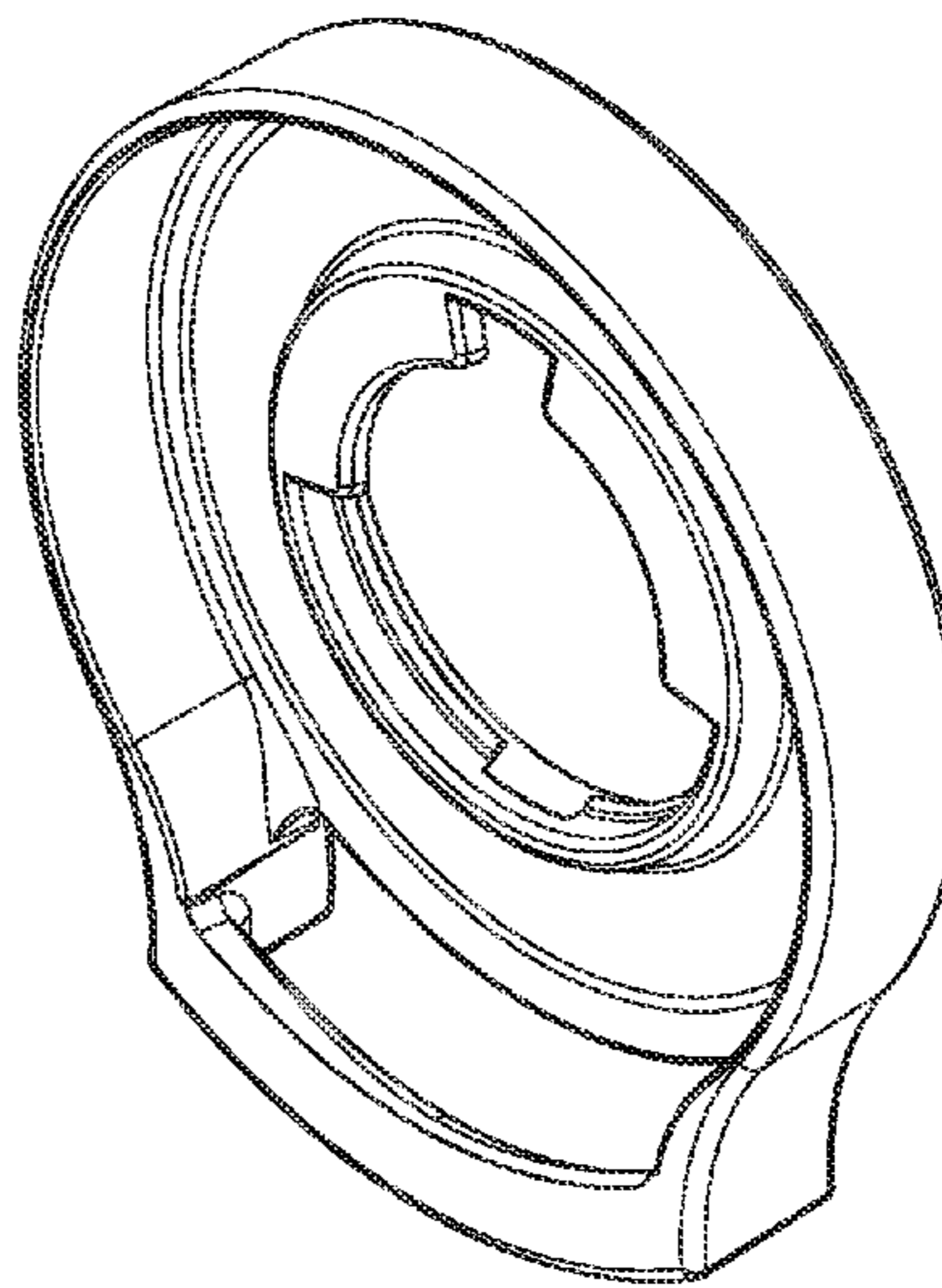
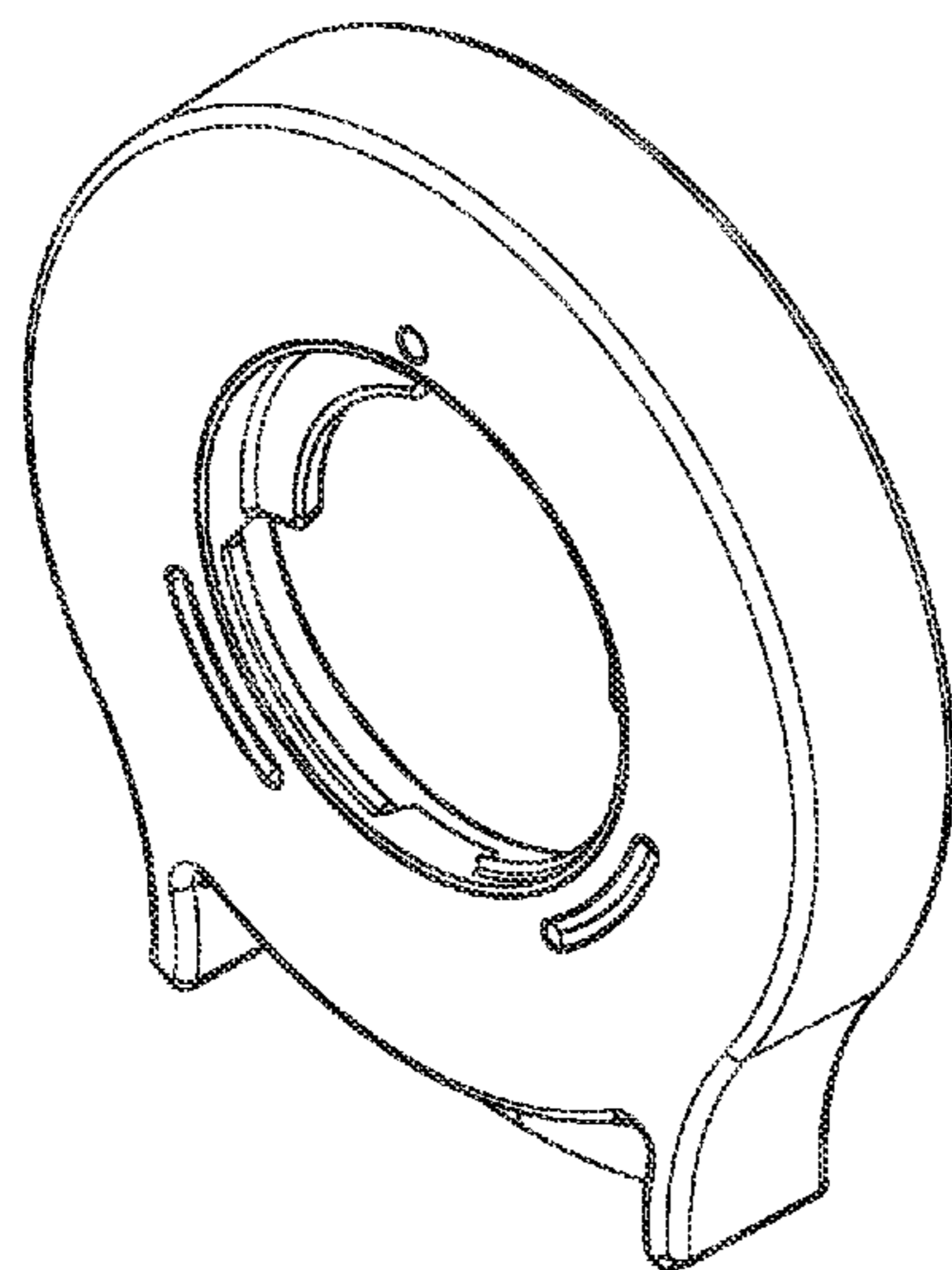
(57) **CLAIM**

The ornamental design for a spindle cover, as shown and described.

DESCRIPTION

FIG. 1 is a front perspective view thereof;
FIG. 2 is a cross-section view of FIG. 1 along line 2-2;
FIG. 3 is a cross-section view of FIG. 1 along line 3-3;
FIG. 4 is a detail view of FIG. 2 area 4;
FIG. 5 is a rear view thereof;
FIG. 6 is a top view thereof;
FIG. 7 is a bottom view thereof;
FIG. 8 is a left view thereof;
FIG. 9 is a right view thereof;
FIG. 10 is a front isometric view thereof;
FIG. 11 is a rear isometric view thereof;
FIG. 12 is a front isometric view thereof; and,
FIG. 13 is a rear isometric view thereof.

1 Claim, 4 Drawing Sheets



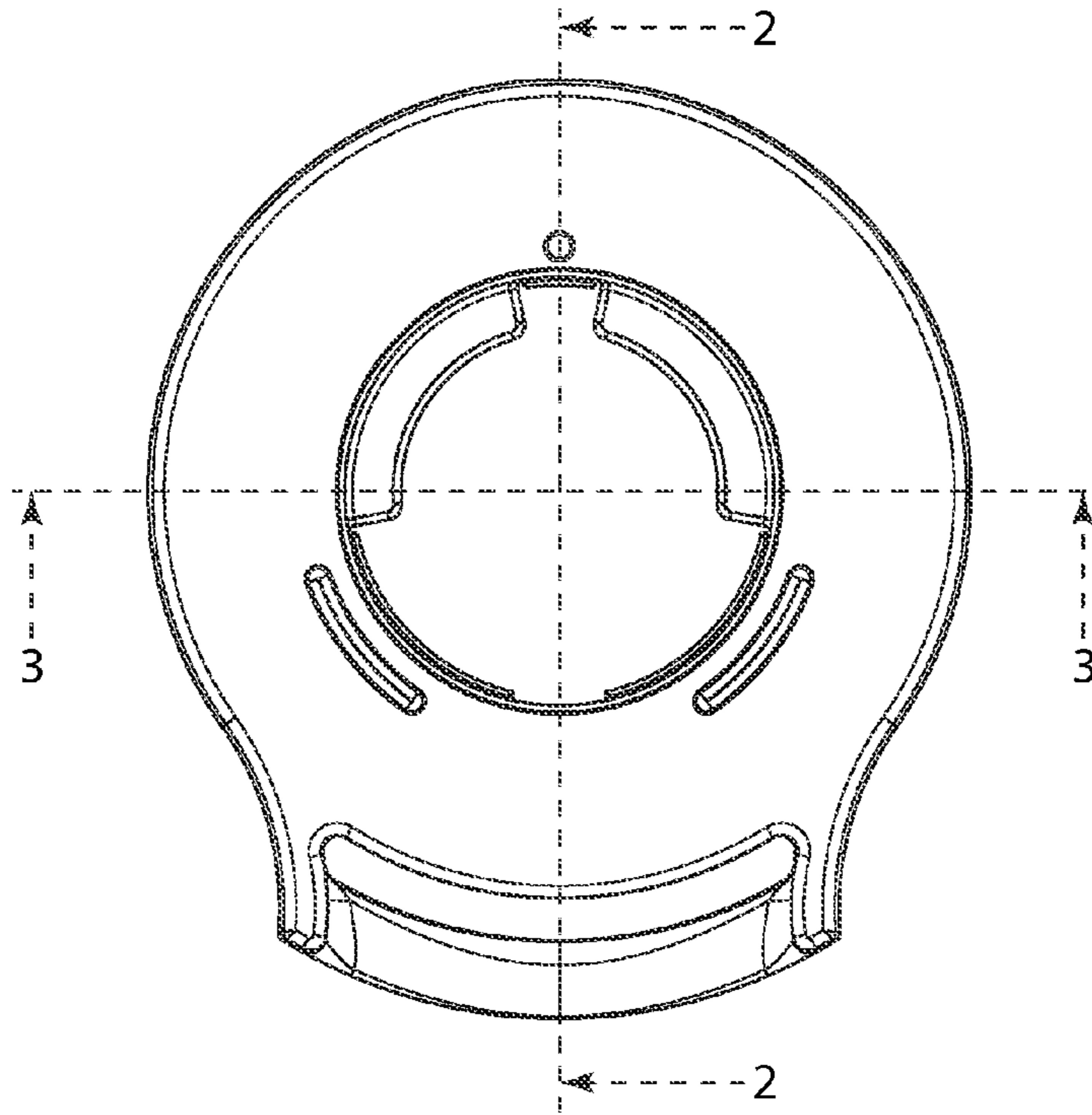


FIG. 1

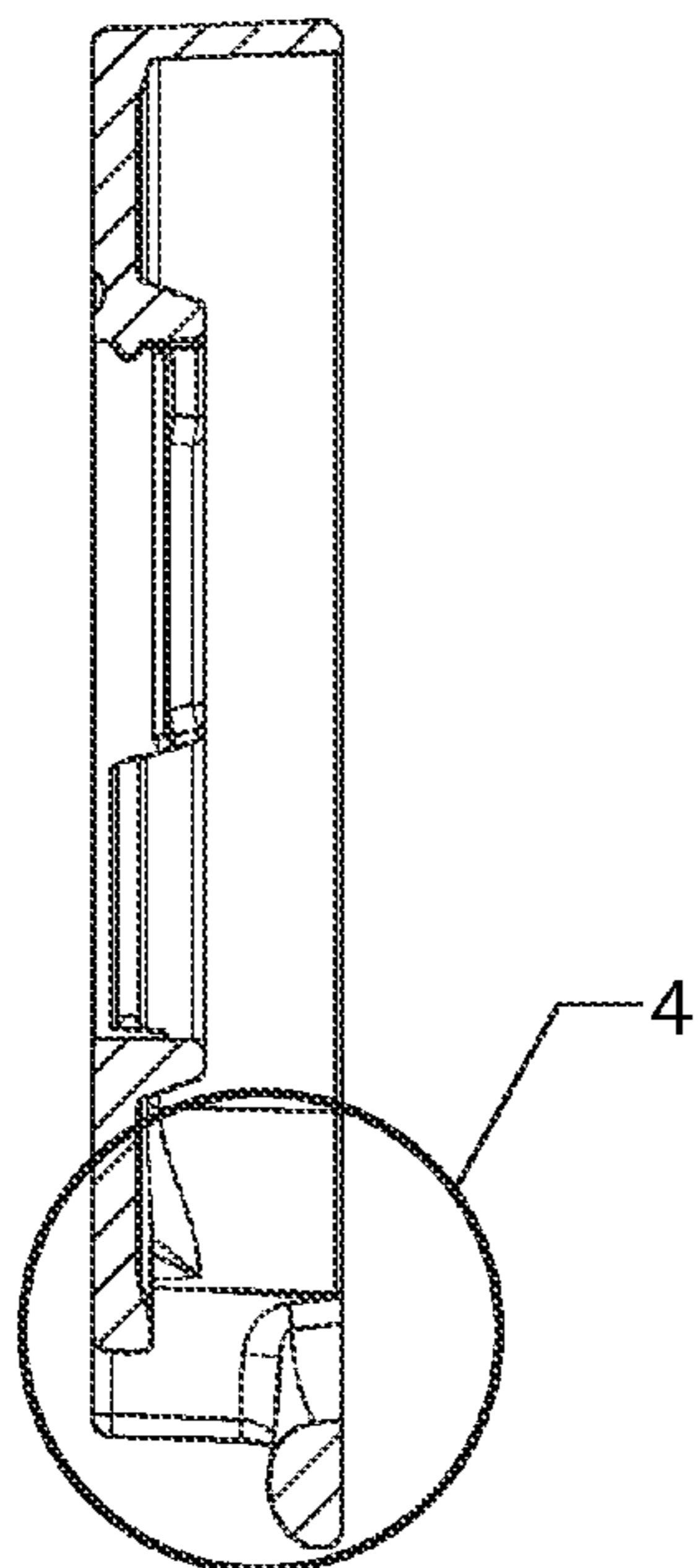


FIG. 2

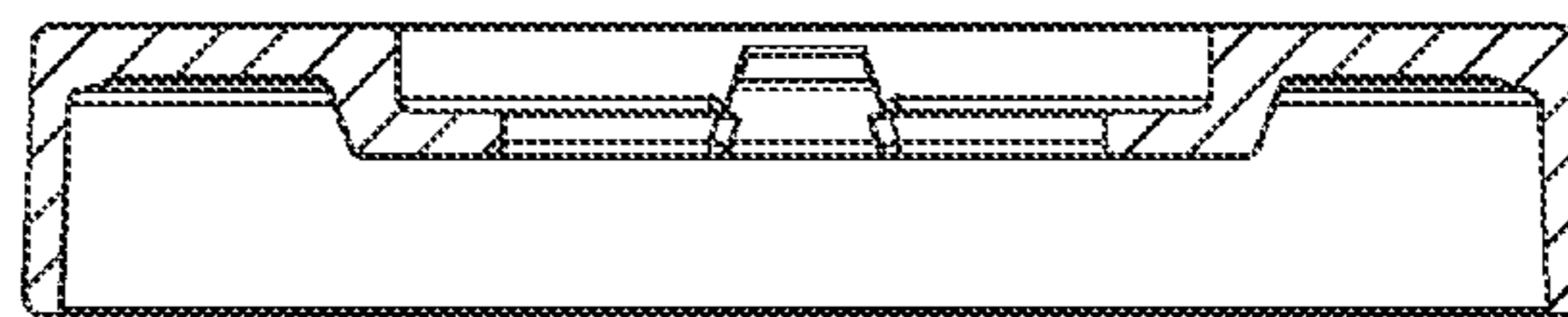


FIG. 3

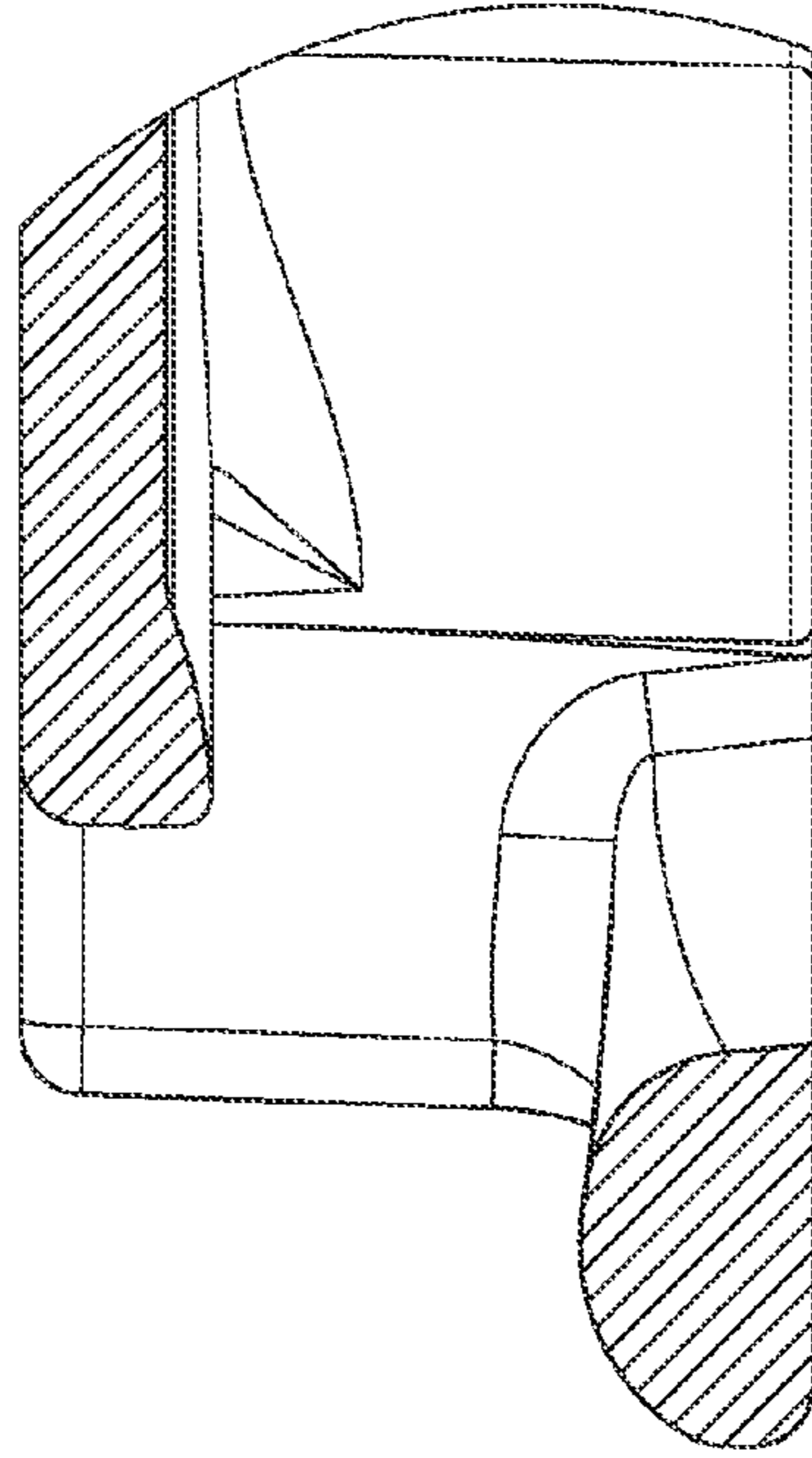


FIG. 4

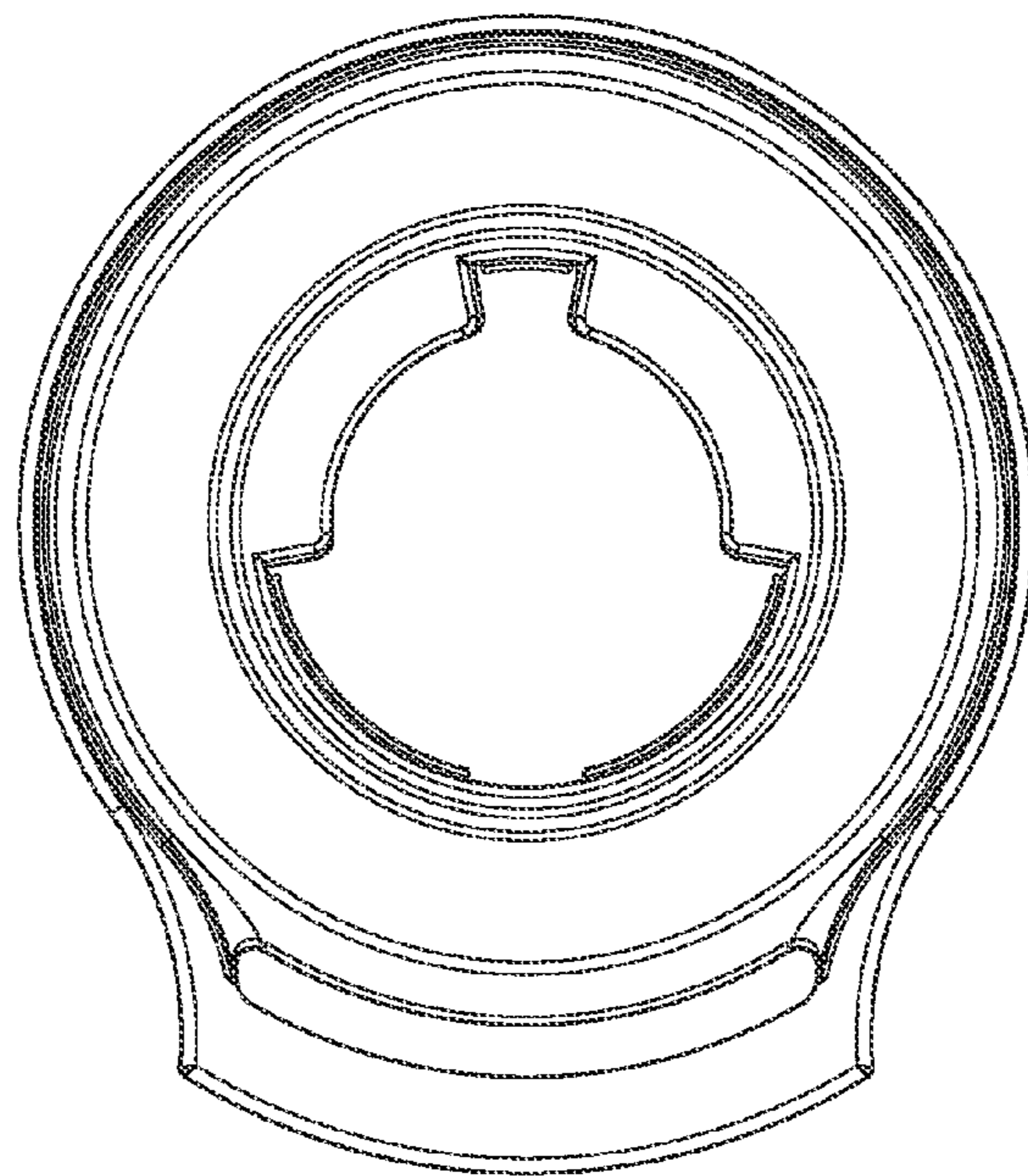


FIG. 5



FIG. 6

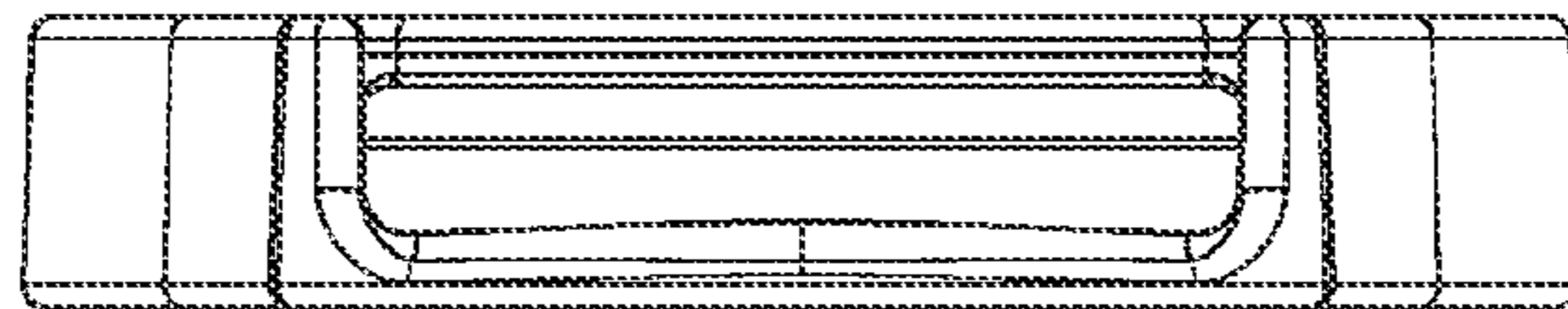


FIG. 7

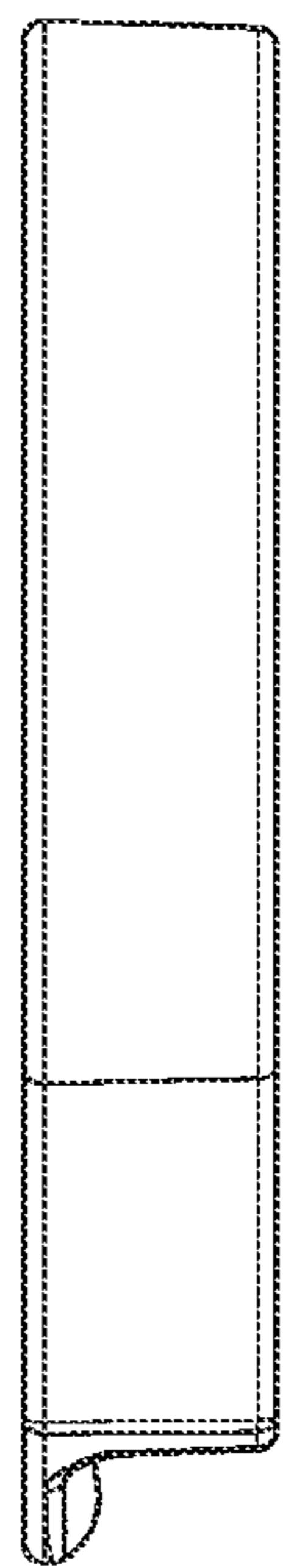


FIG. 8

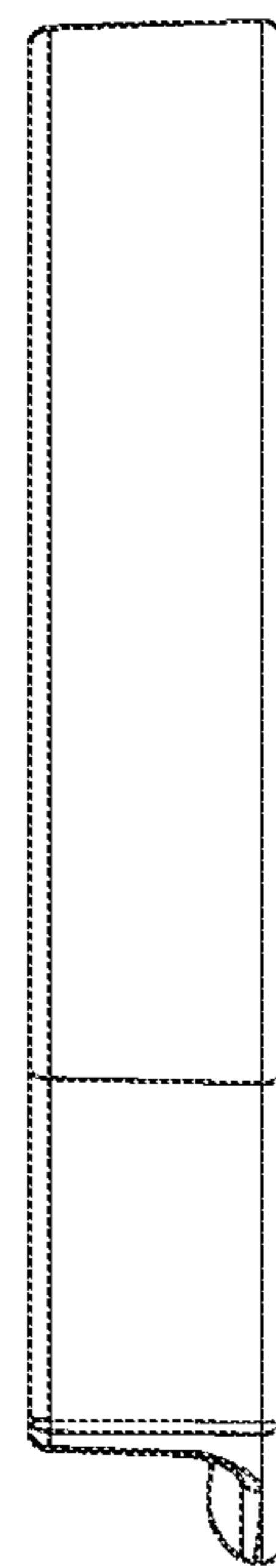


FIG. 9

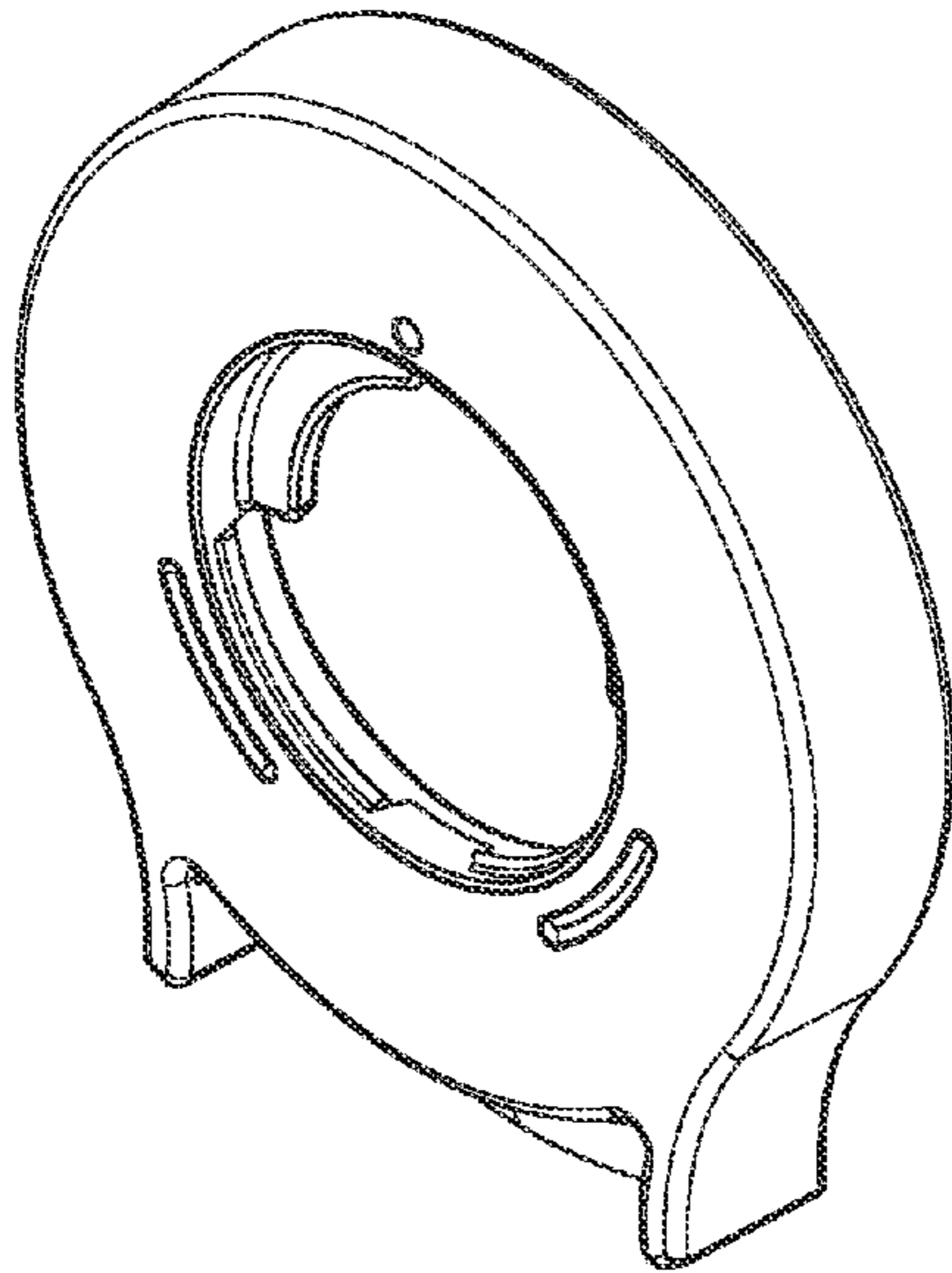


FIG. 10

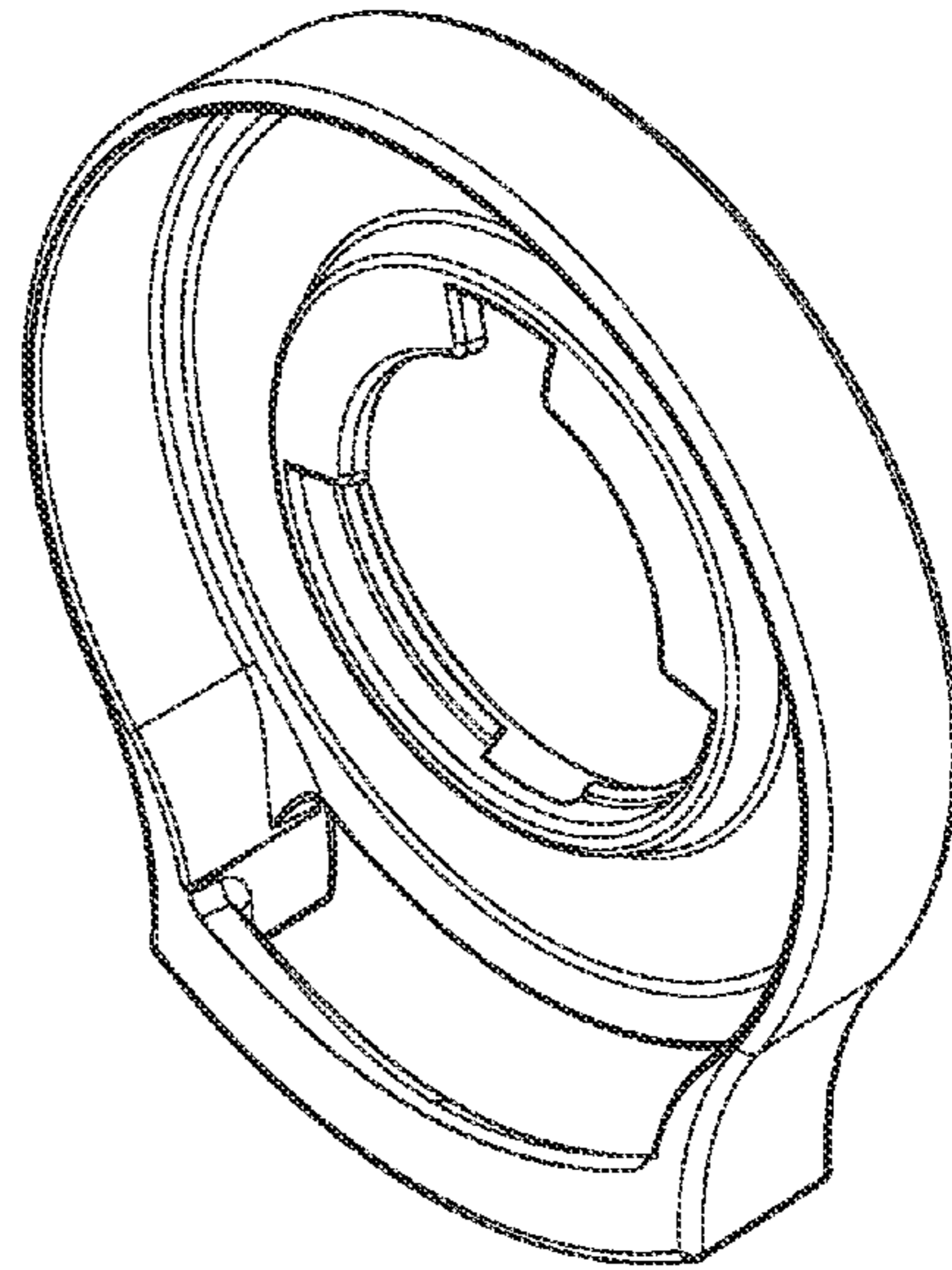


FIG. 11

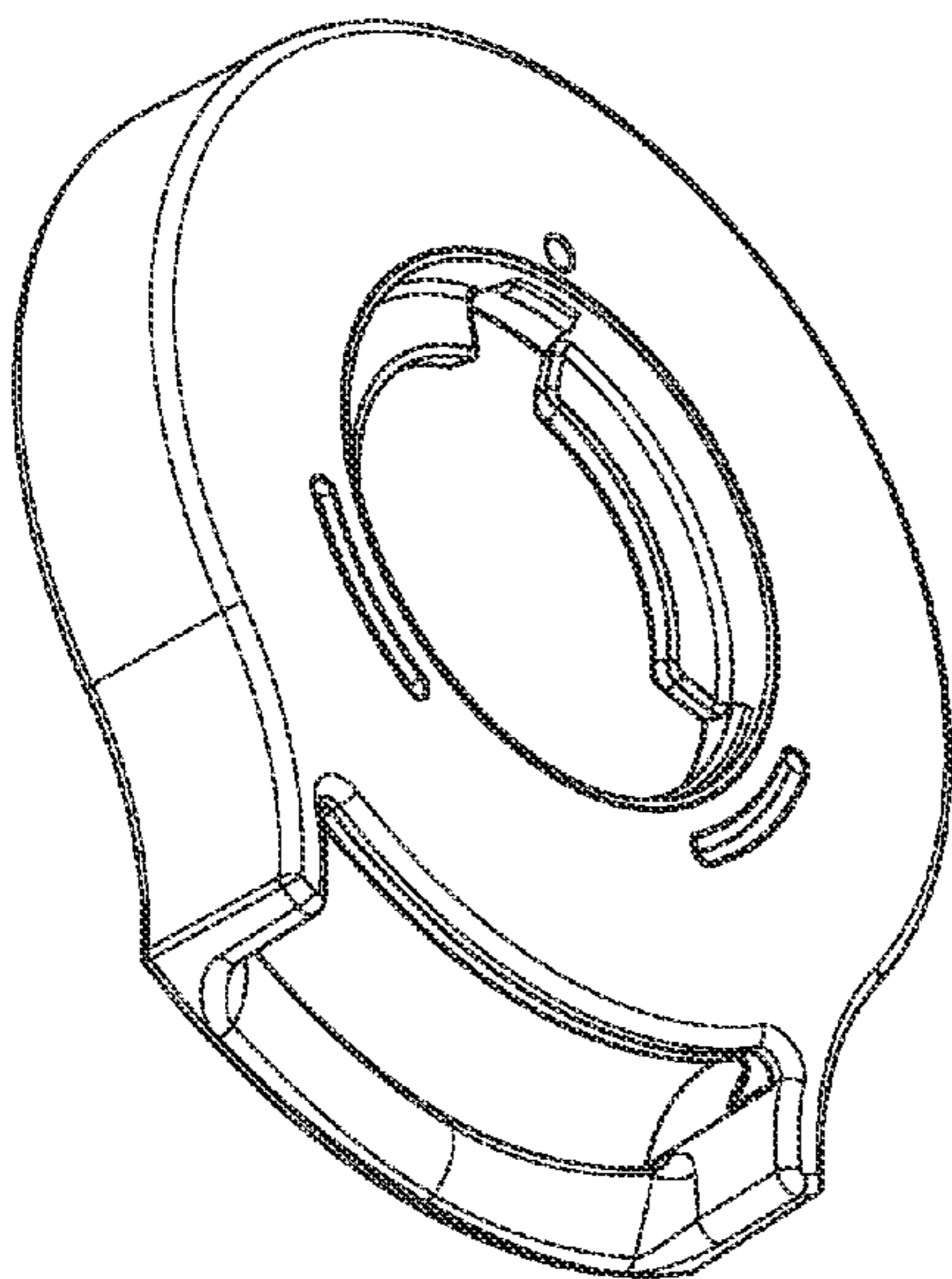


FIG. 12

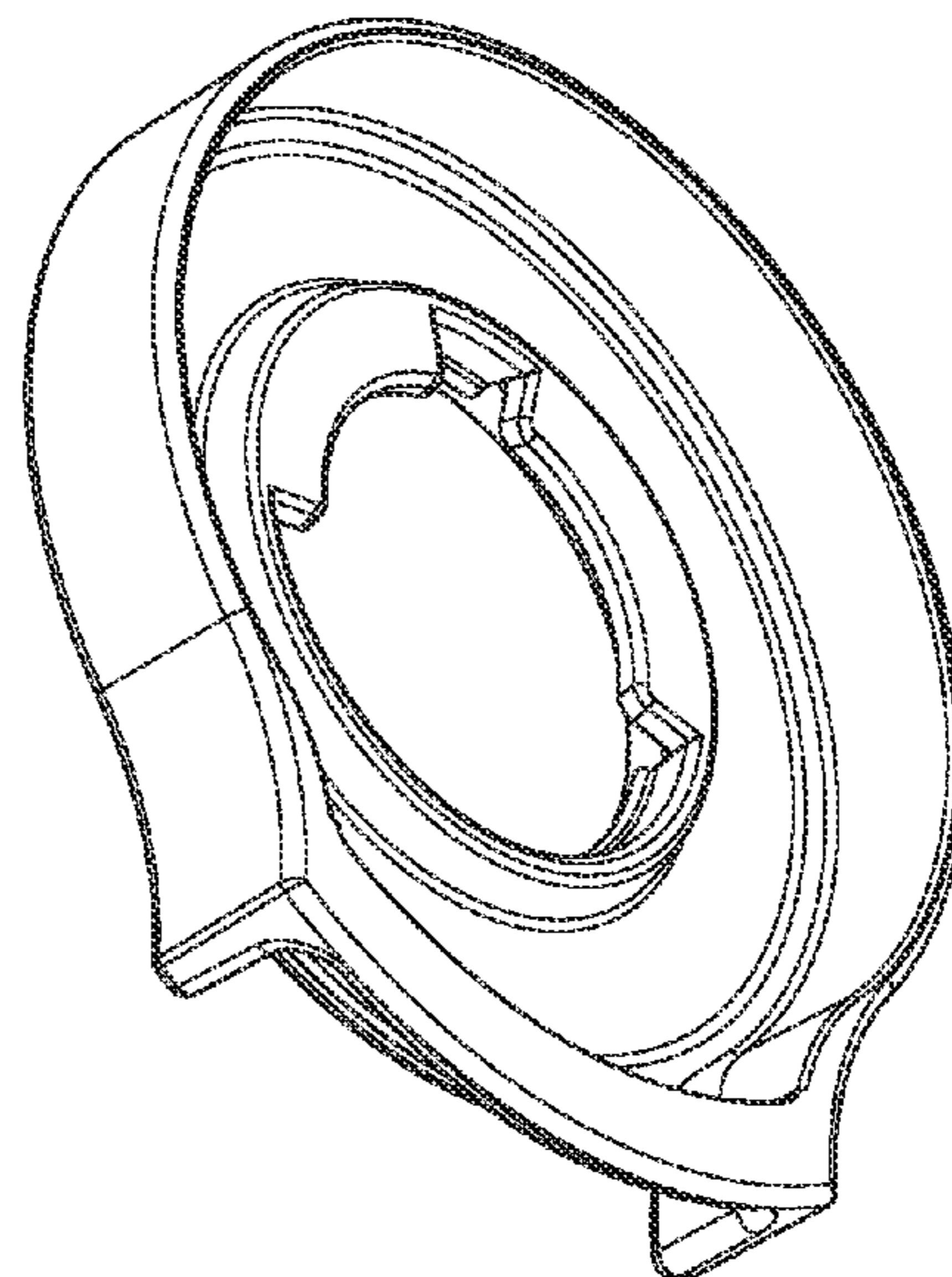


FIG. 13