



US00D695041S

(12) **United States Design Patent**
Licciardi Di Stefano

(10) **Patent No.:** **US D695,041 S**

(45) **Date of Patent:** **** Dec. 10, 2013**

(54) **SPINDLE COVER**

(71) Applicant: **Carmelo Joseph Licciardi Di Stefano,**
Broadmeadows (AU)

(72) Inventor: **Carmelo Joseph Licciardi Di Stefano,**
Broadmeadows (AU)

(**) Term: **14 Years**

(21) Appl. No.: **29/434,678**

(22) Filed: **Oct. 16, 2012**

(30) **Foreign Application Priority Data**

Apr. 16, 2012 (AU) 11872/2012

(51) **LOC (9) Cl.** **06-10**

(52) **U.S. Cl.**
USPC **D6/580**

(58) **Field of Classification Search**
USPC D6/575-581; D5/64, 66; D8/323, 349,
D8/353, 368, 369, 376, 377, 382;
160/84.01-84.08, 111, 115, 130,
160/168.1 R, 199, 331, 332
See application file for complete search history.

(56) **References Cited**

U.S. PATENT DOCUMENTS

5,375,643	A *	12/1994	Rude	160/321
5,507,374	A *	4/1996	Rude	192/223.4
5,909,791	A *	6/1999	DiStefano	192/223.4
6,173,825	B1 *	1/2001	Liu	192/223.4

D509,092	S *	9/2005	Allsopp	D6/580
7,195,052	B2 *	3/2007	Nien et al.	160/321
7,287,570	B2 *	10/2007	Strand	160/171
7,387,150	B2 *	6/2008	Liu	160/321
7,497,242	B2 *	3/2009	Wang	160/321
D596,435	S *	7/2009	Wills	D6/581
8,136,569	B2 *	3/2012	Bohlen et al.	160/323.1
D675,050	S *	1/2013	Garcia	D6/581
8,360,130	B2 *	1/2013	Cannaverde et al.	160/173 R
2009/0283222	A1 *	11/2009	Wang	160/84.01

* cited by examiner

Primary Examiner — Karen S Acker

(74) *Attorney, Agent, or Firm* — Hahn, Loeser & Parks LLP;
Arland T. Stein

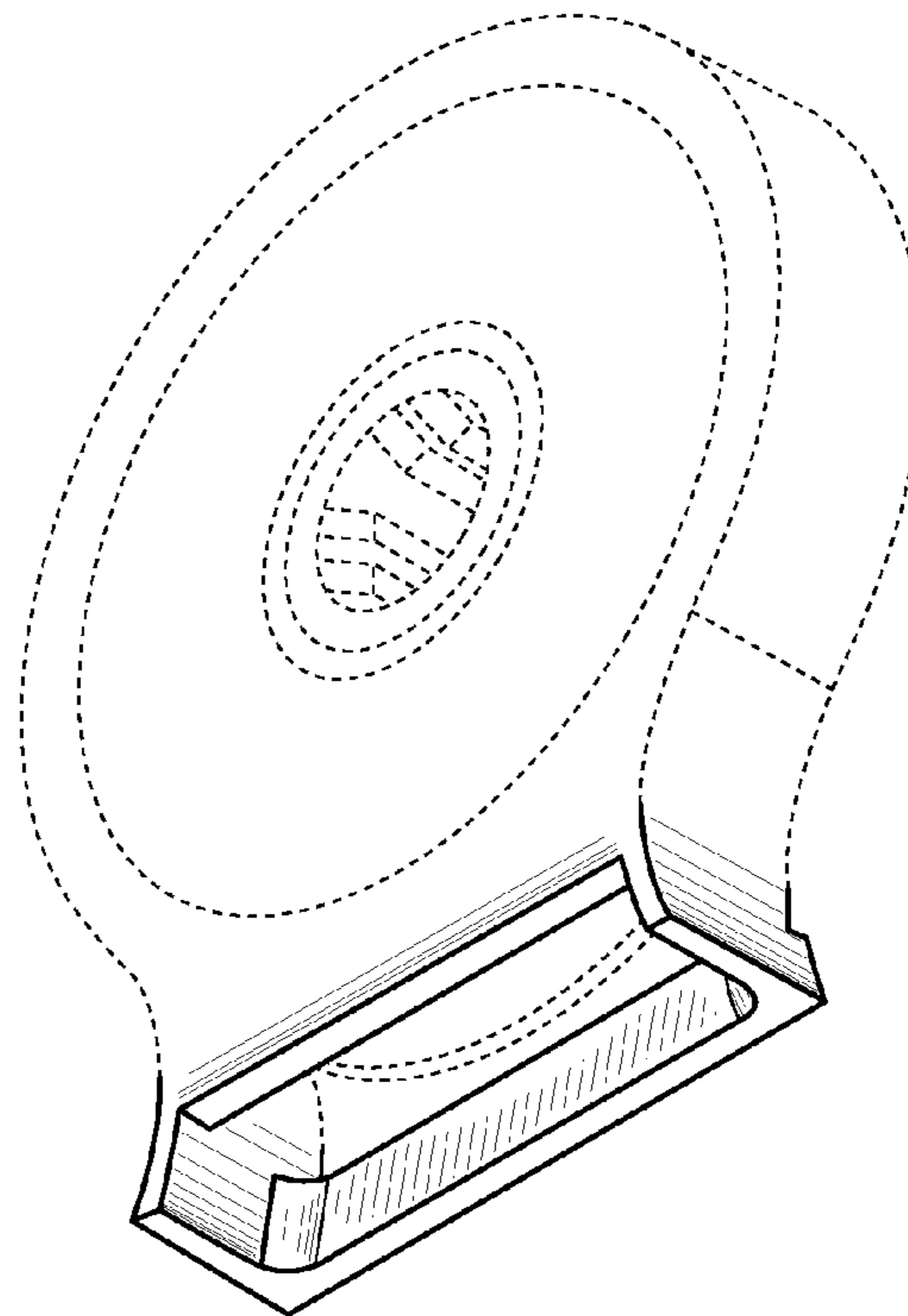
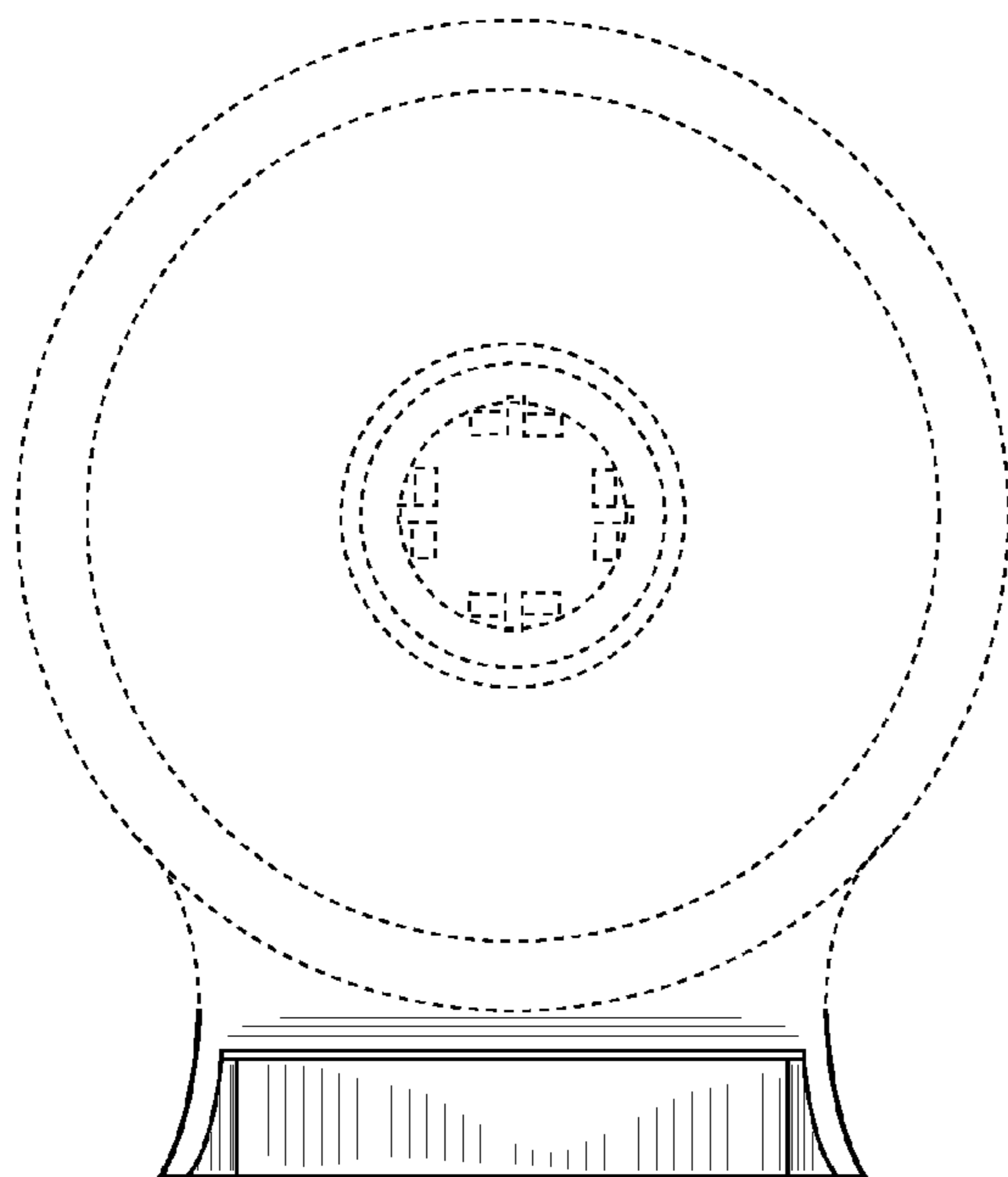
(57) **CLAIM**

The ornamental design for a spindle cover, as shown and described.

DESCRIPTION

FIG. 1 is a front elevational view of a spindle cover;
FIG. 2 is a rear elevational view thereof;
FIG. 3 is a top view thereof;
FIG. 4 is an underneath view thereof;
FIG. 5 is a left side view thereof;
FIG. 6 is a right side view thereof;
FIG. 7 is a perspective view thereof; and,
FIG. 8 is a cross-section view taken along line 8-8 in FIG. 2.
The broken lines in the drawing represent portions of the spindle cover that form no part of the claimed design.

1 Claim, 3 Drawing Sheets



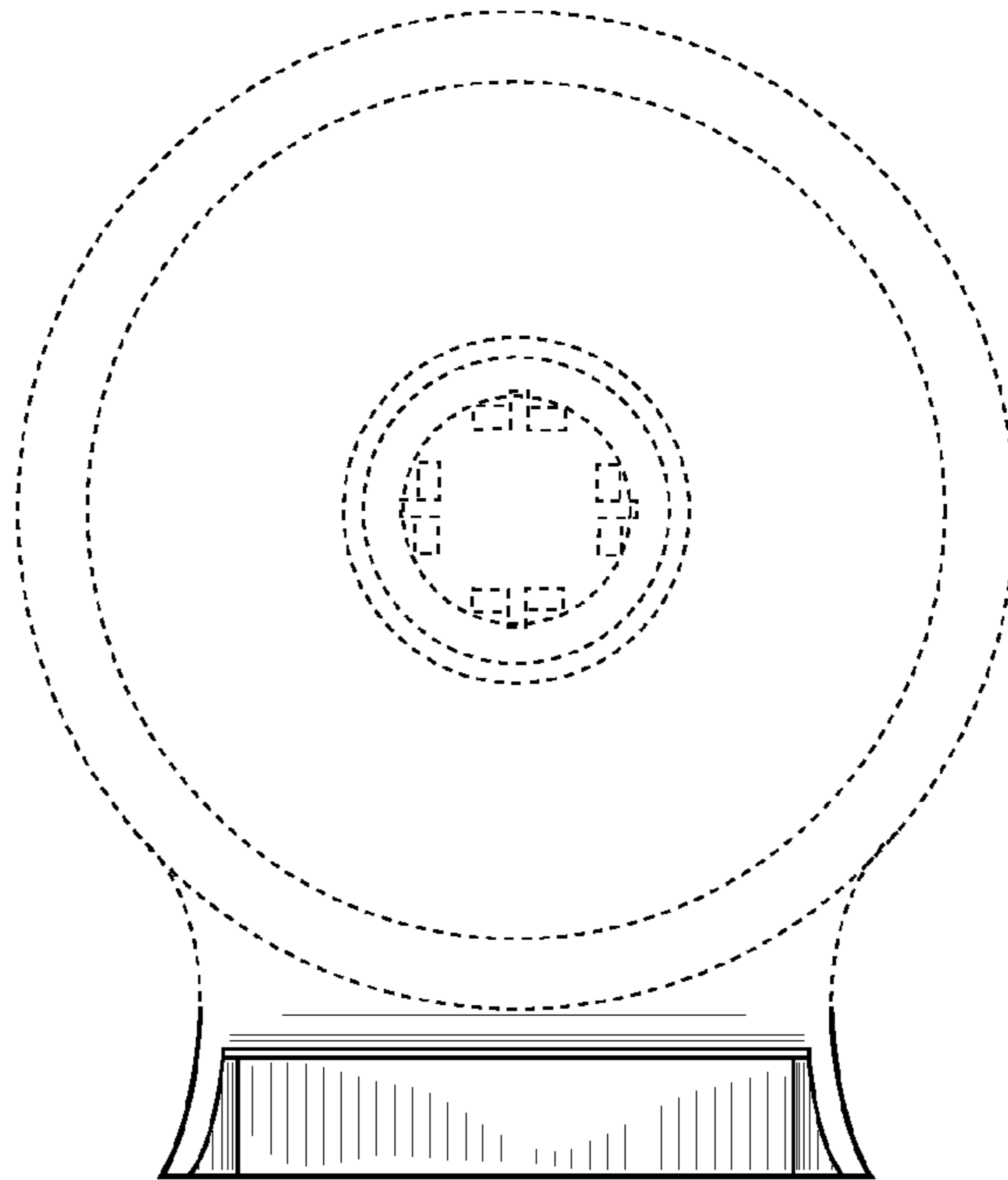


FIG. 1

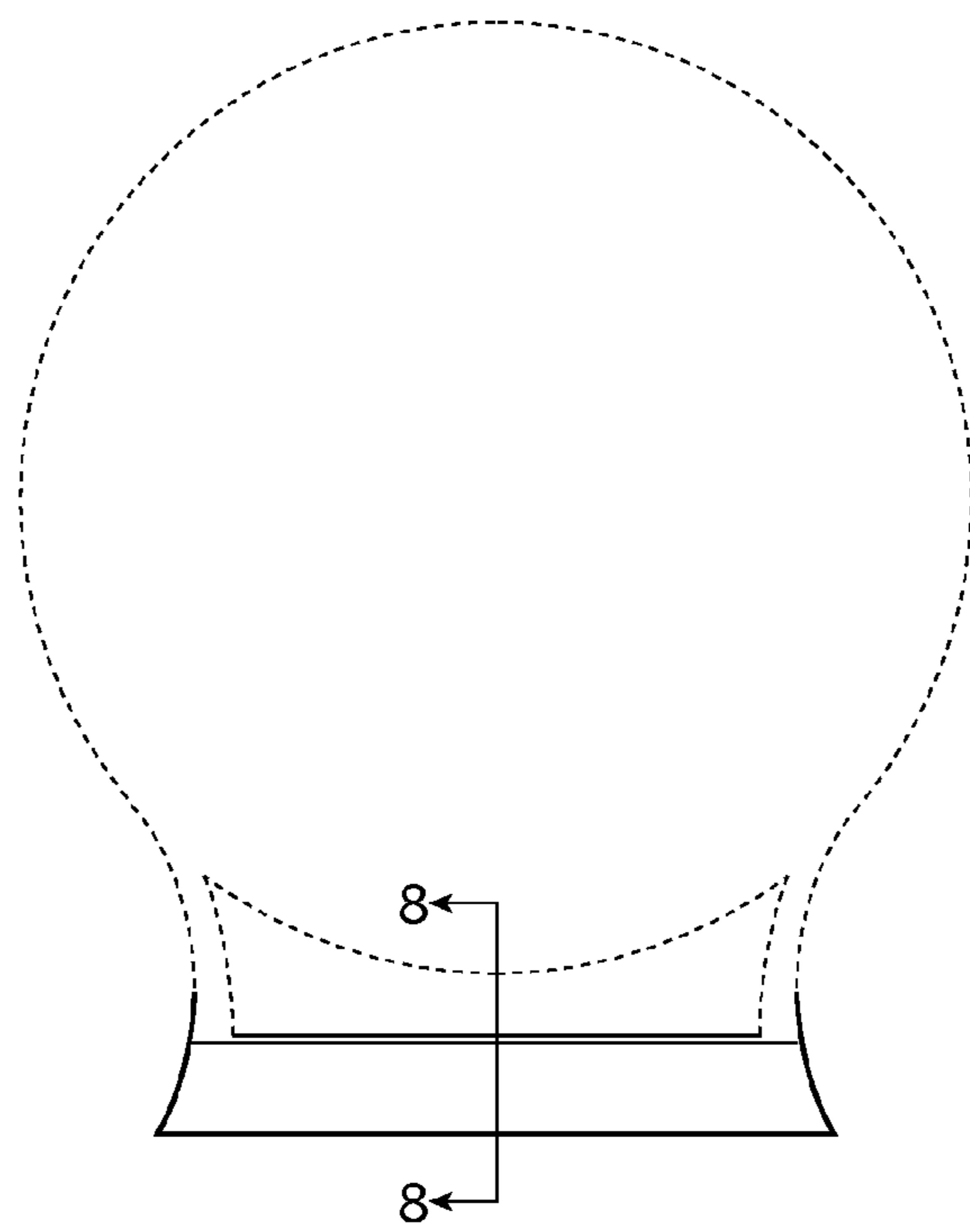


FIG. 2

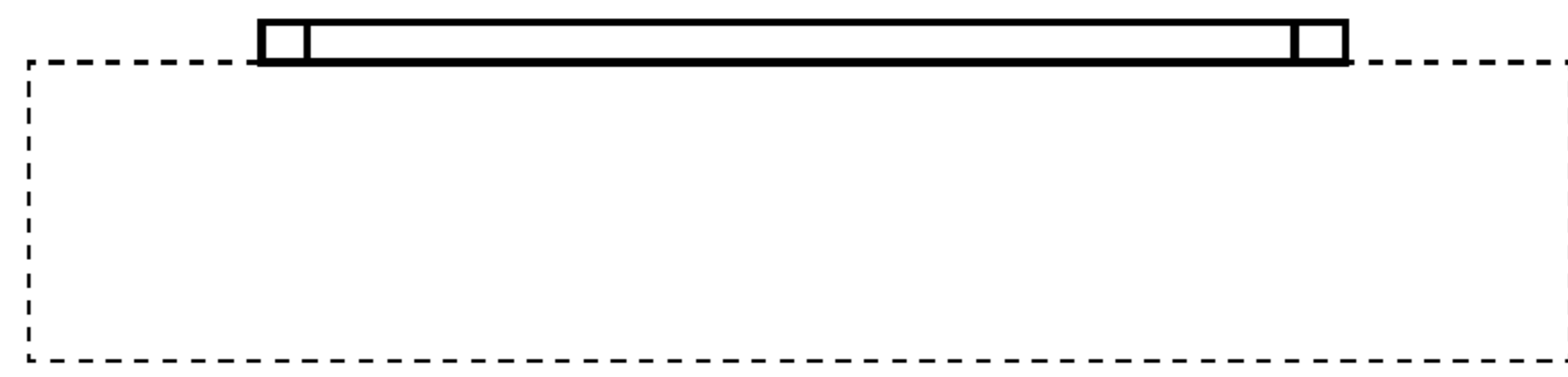


FIG. 3

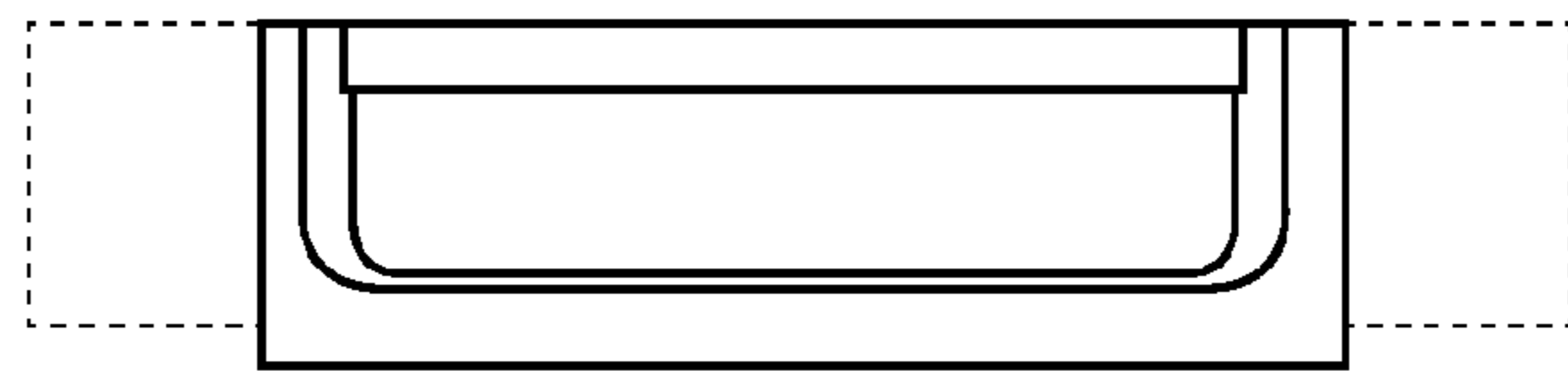


FIG. 4

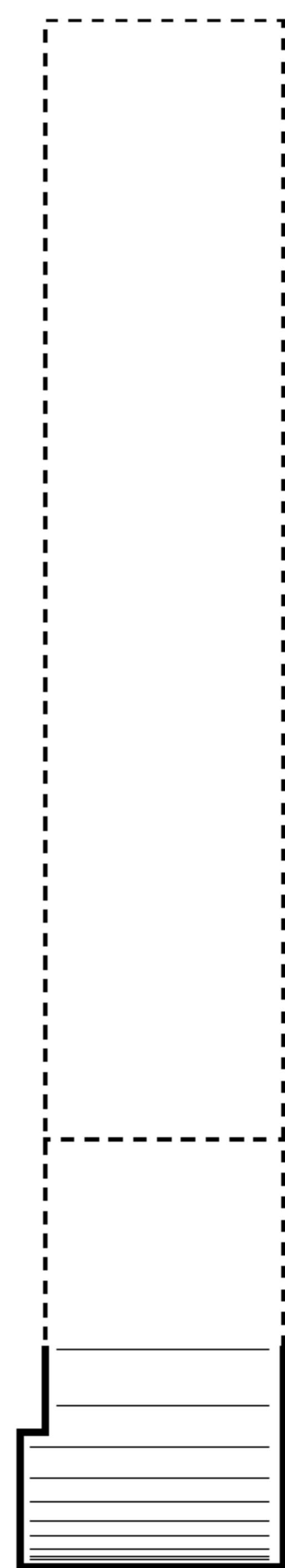


FIG. 5

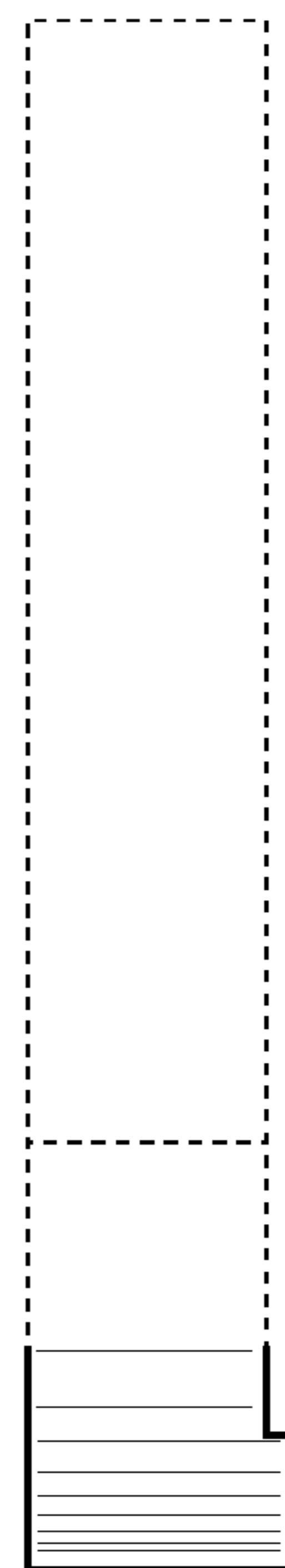


FIG. 6

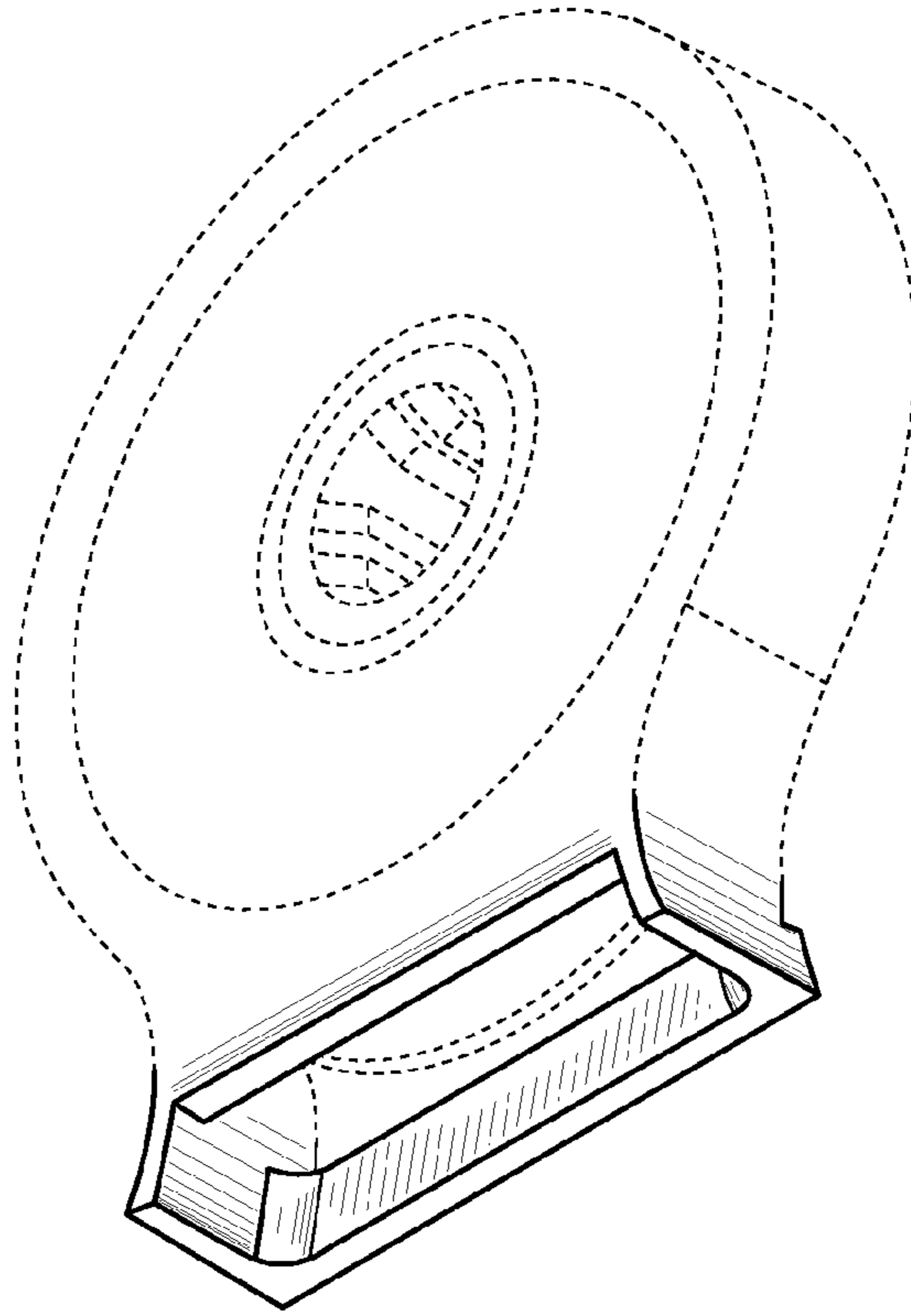


FIG. 7

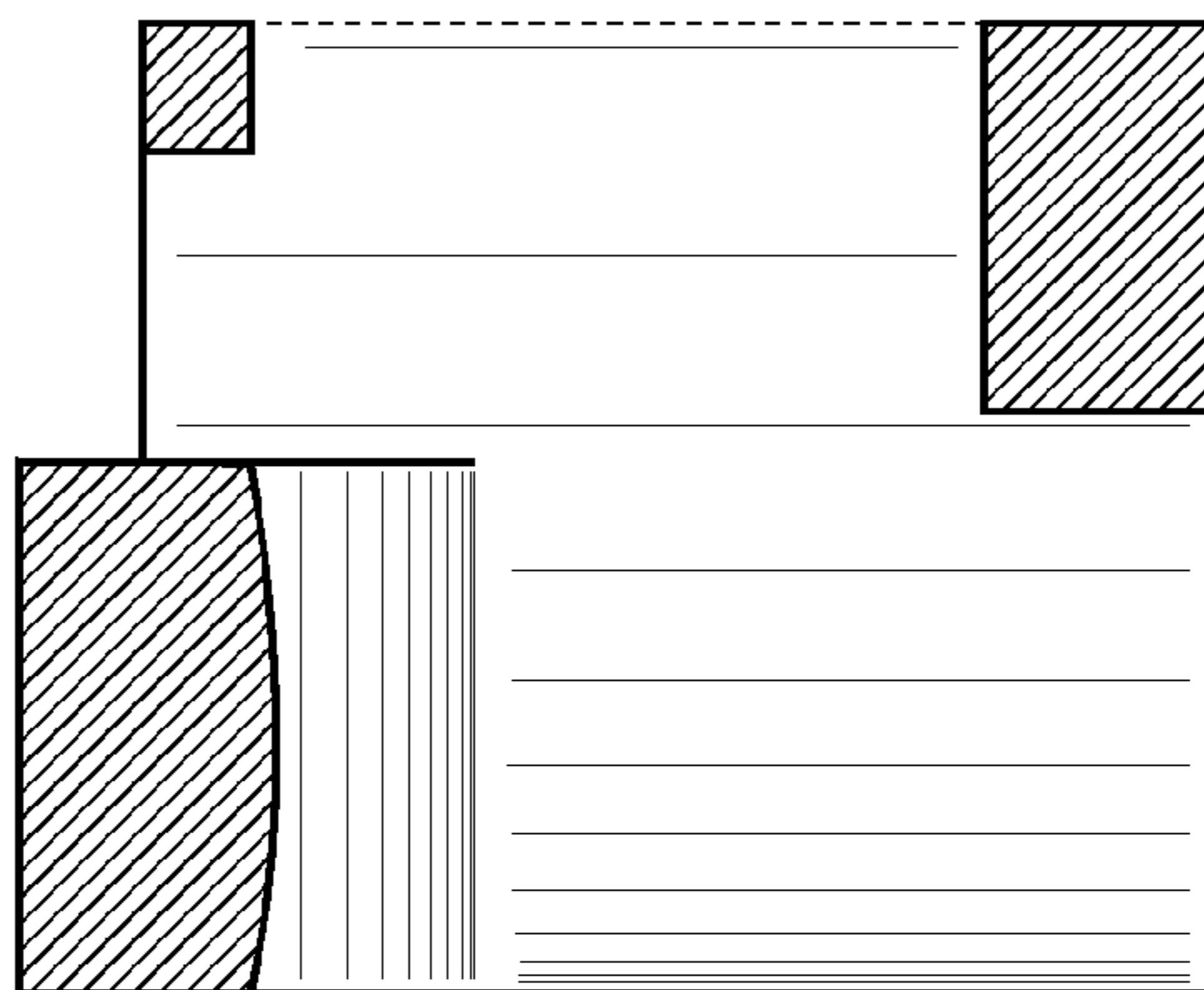


FIG. 8