



US00D695039S

(12) **United States Design Patent**
Gilboe et al.

(10) **Patent No.:** **US D695,039 S**
(45) **Date of Patent:** **** Dec. 10, 2013**

(54) **TOOTHBRUSH HOLDER**

(75) Inventors: **Kevin J. Gilboe**, Woodbury, MN (US);
Matthew J. Nettenstrom, Streamwood,
IL (US); **Justin B. Peart**, Lisle, IL (US);
Jeremy A. Abel, Oswego, IL (US);
Thomas M. McKeon, Wheaton, IL (US)

(73) Assignee: **3M Innovative Properties Company**,
St. Paul, MN (US)

(**) Term: **14 Years**

(21) Appl. No.: **29/416,799**

(22) Filed: **Mar. 27, 2012**

(51) **LOC (9) Cl.** **23-02**

(52) **U.S. Cl.**
USPC **D6/534**

(58) **Field of Classification Search**
USPC D6/524, 526, 527, 528, 534; 206/208,
206/228, 209, 209.1, 361, 362, 362.1,
206/362.2, 362.3, 217; 211/13.1, 66, 70.6,
211/86.01, 87.01

See application file for complete search history.

(56) **References Cited**

U.S. PATENT DOCUMENTS

D475,564 S *	6/2003	McCurrach et al.	D6/534
D484,342 S *	12/2003	Harrod	D6/534
D543,750 S *	6/2007	Hines	D6/534
D561,509 S *	2/2008	Starck et al.	D6/534
D634,139 S *	3/2011	Volk	D6/534

* cited by examiner

Primary Examiner — Brian N Vinson

(74) *Attorney, Agent, or Firm* — Irina Hass

(57) **CLAIM**

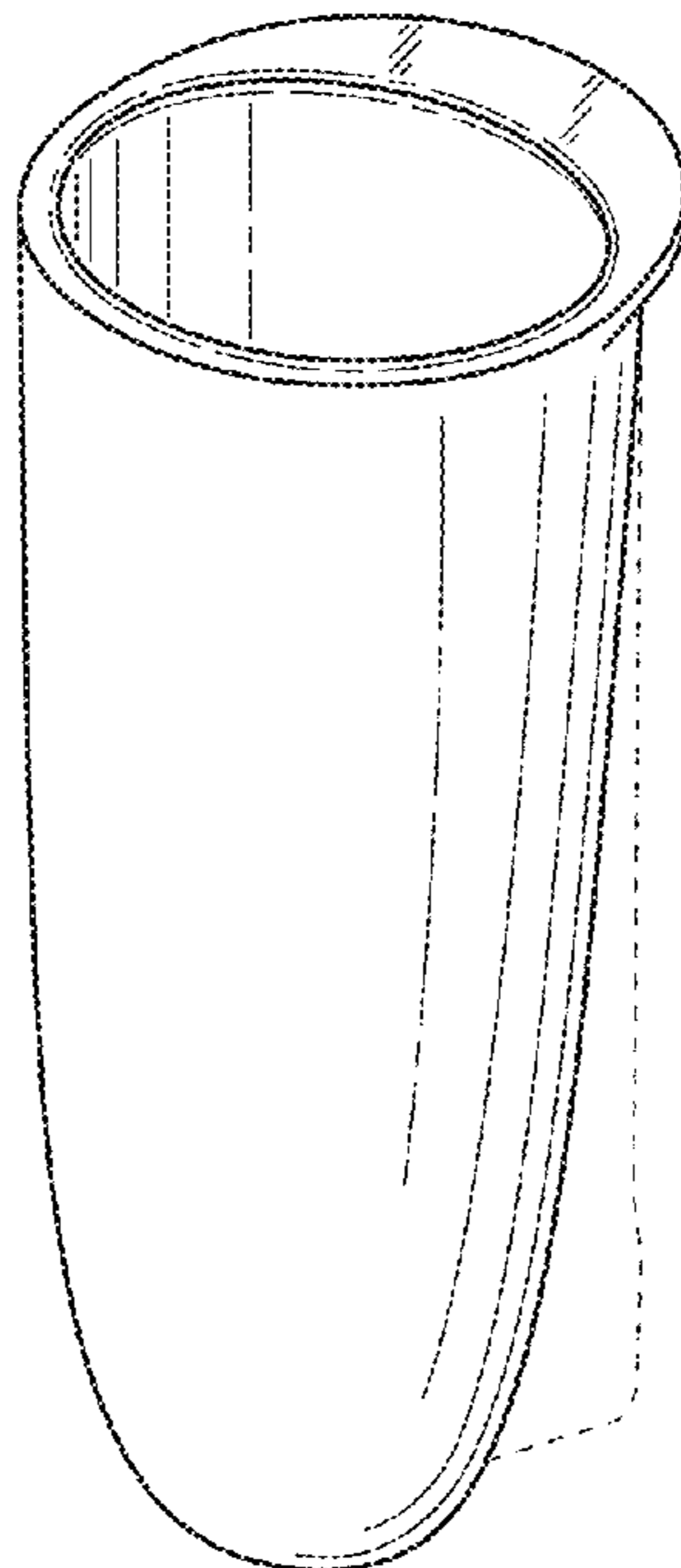
The ornamental design for a toothbrush holder, as shown and described.

DESCRIPTION

FIG. 1 is a perspective view of a first embodiment of a toothbrush holder showing the new design; FIG. 2 is a front view thereof; FIG. 3 is a rear view thereof; FIG. 4 is a right side view thereof, the left side view being a mirror image thereof; FIG. 5 is a top view thereof; and, FIG. 6 is a bottom view thereof.

The broken lines in the drawings are shown for illustrative purposes only and form no part of the claimed design. In addition, the surface shading illustrated in the drawings is provided merely to highlight the contour of design; it is not intended to be illustrative of texture or gloss.

1 Claim, 2 Drawing Sheets



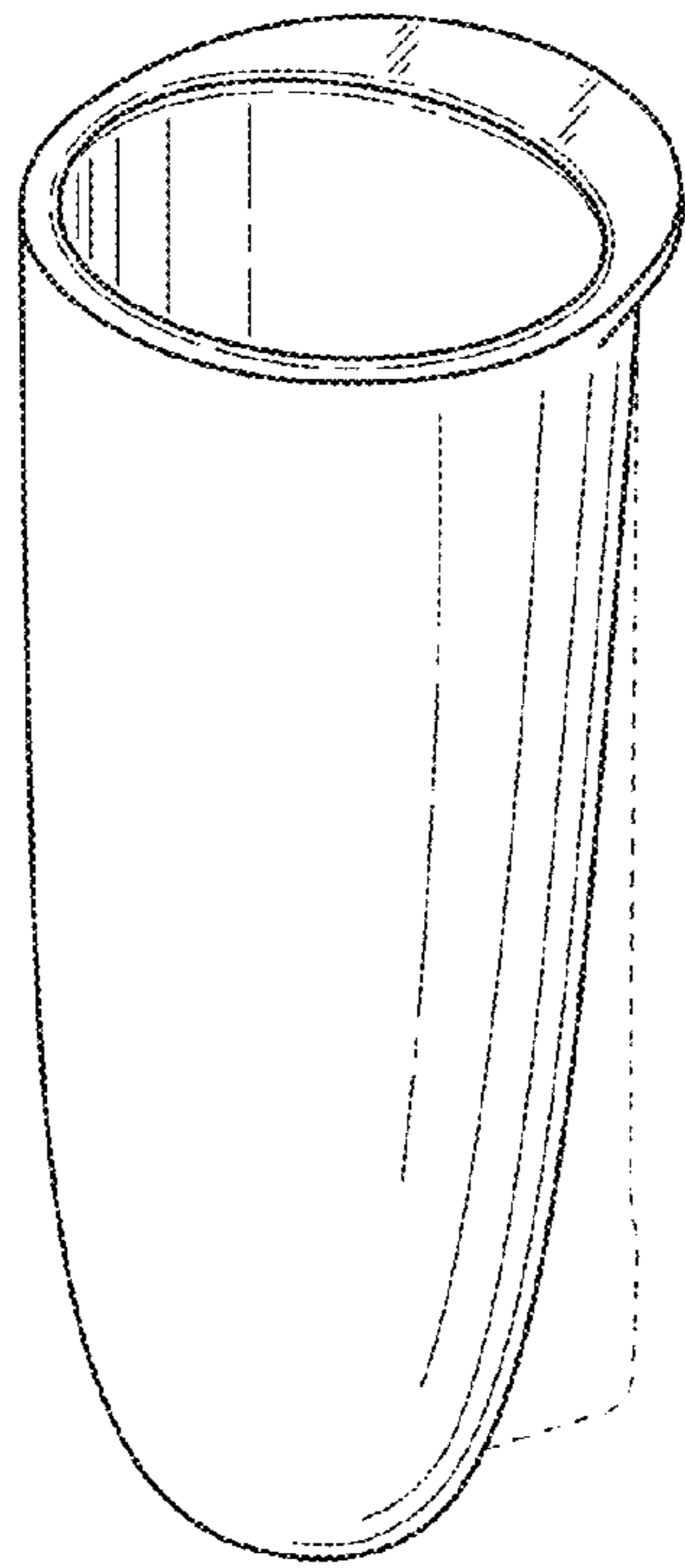


Fig. 1

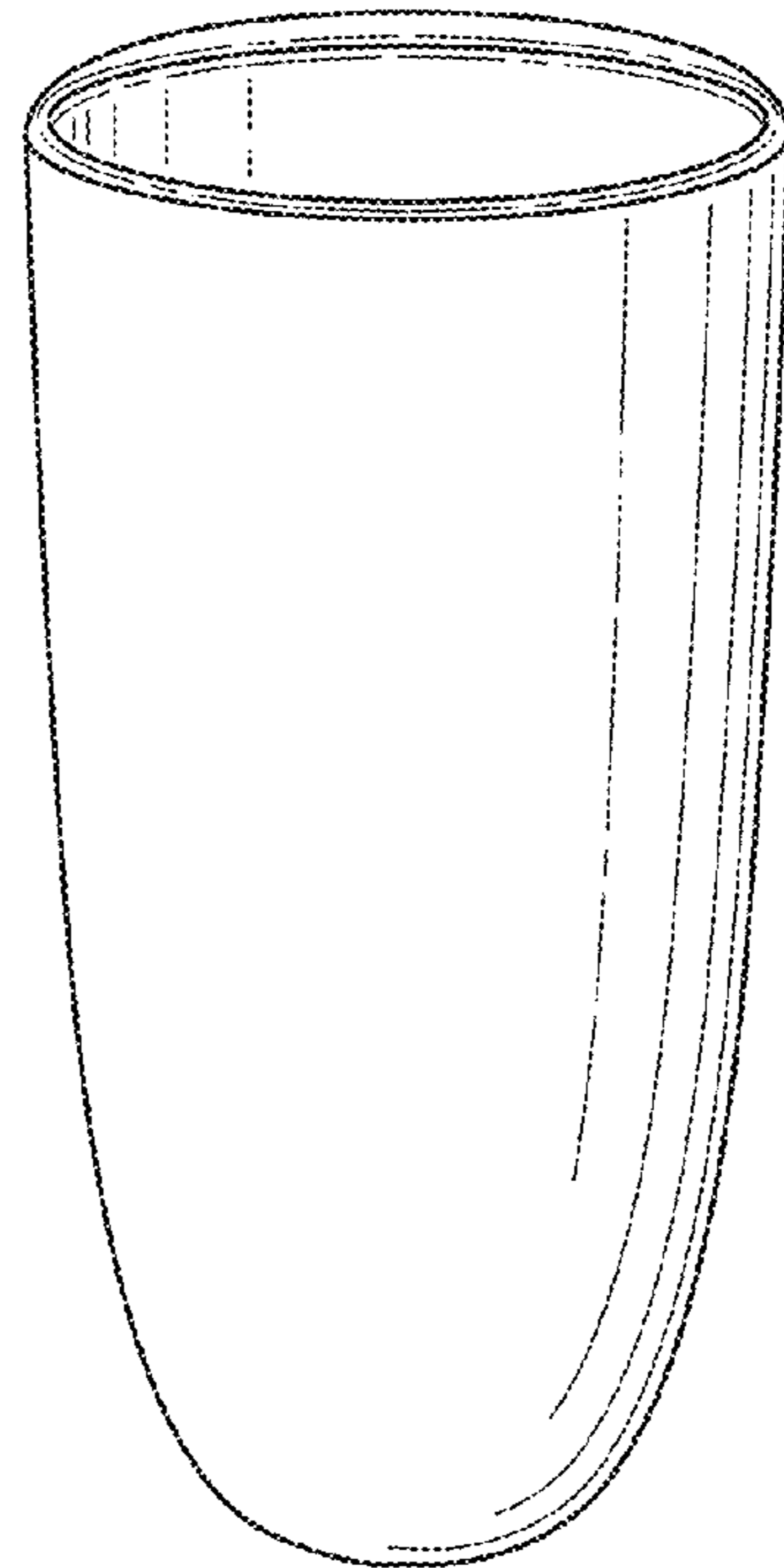


Fig. 2

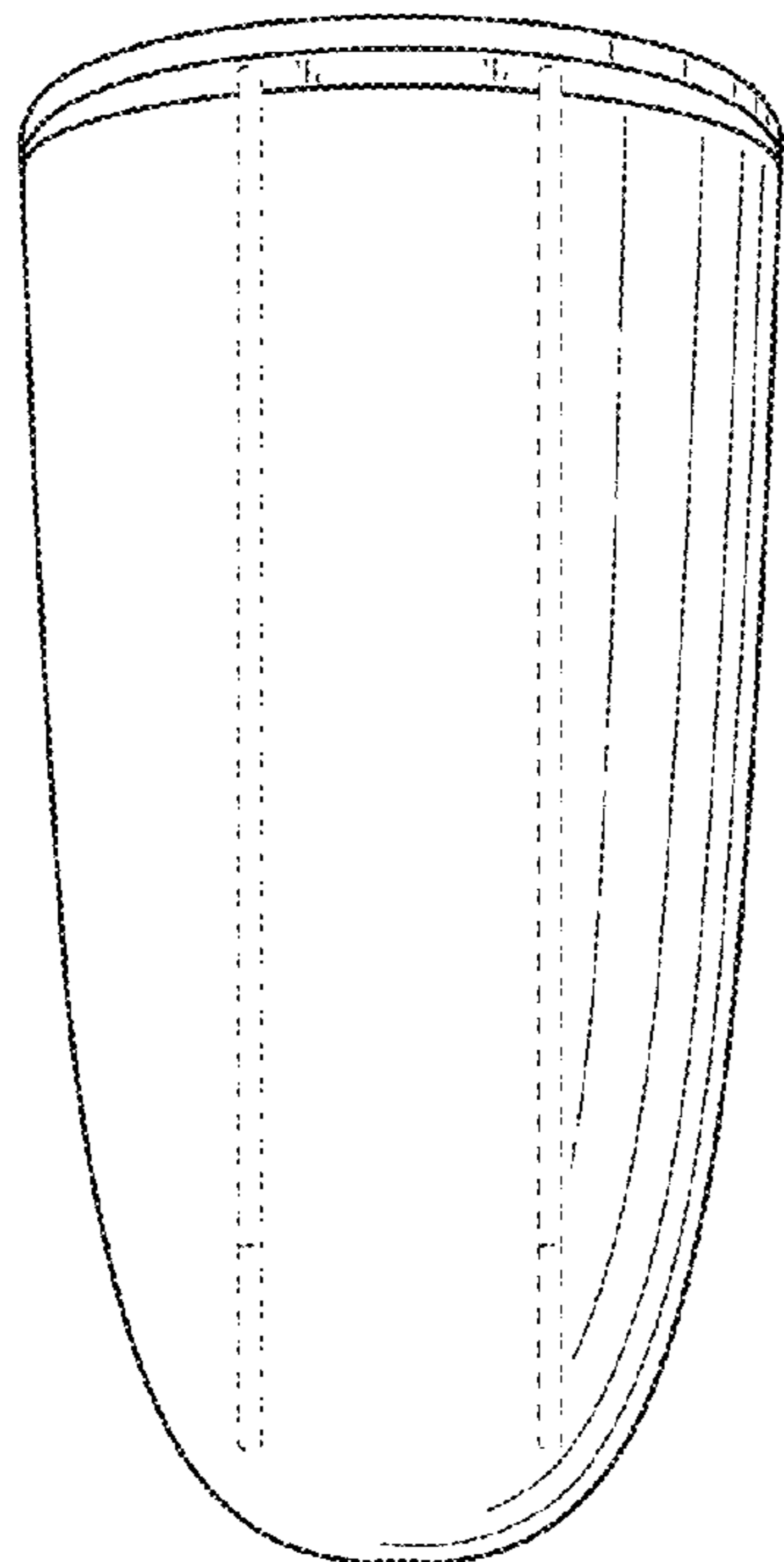


Fig. 3

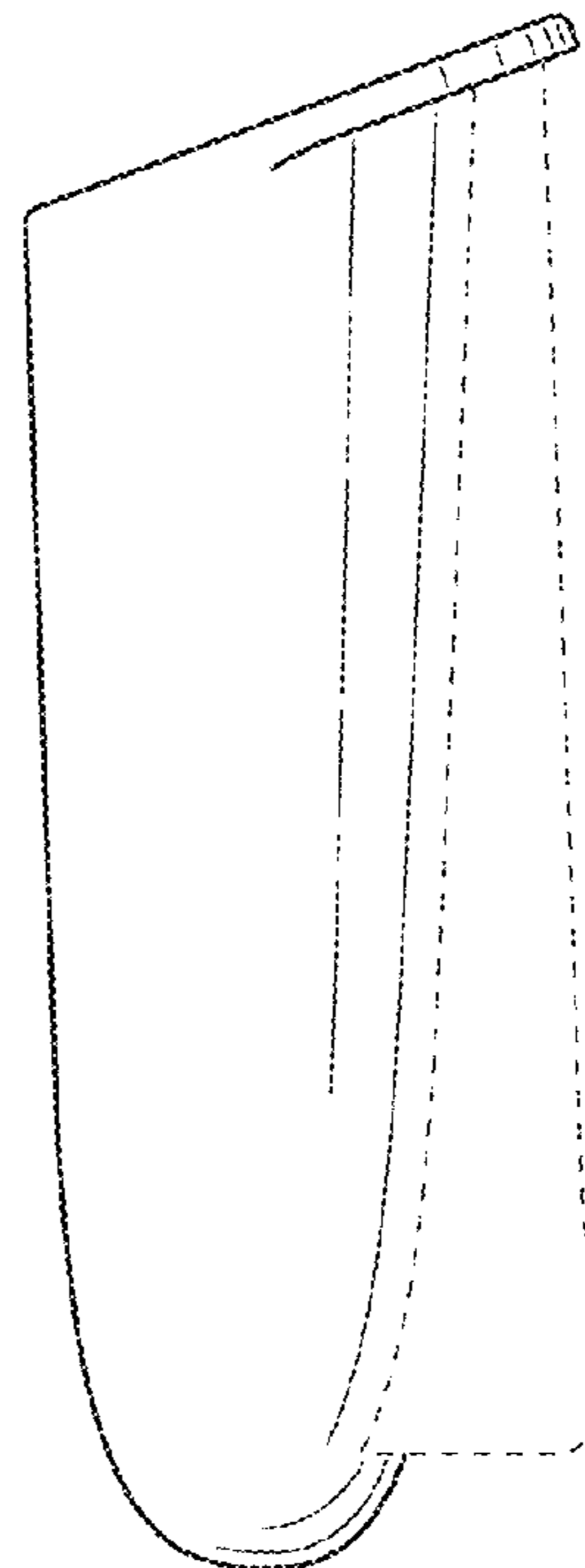


Fig. 4

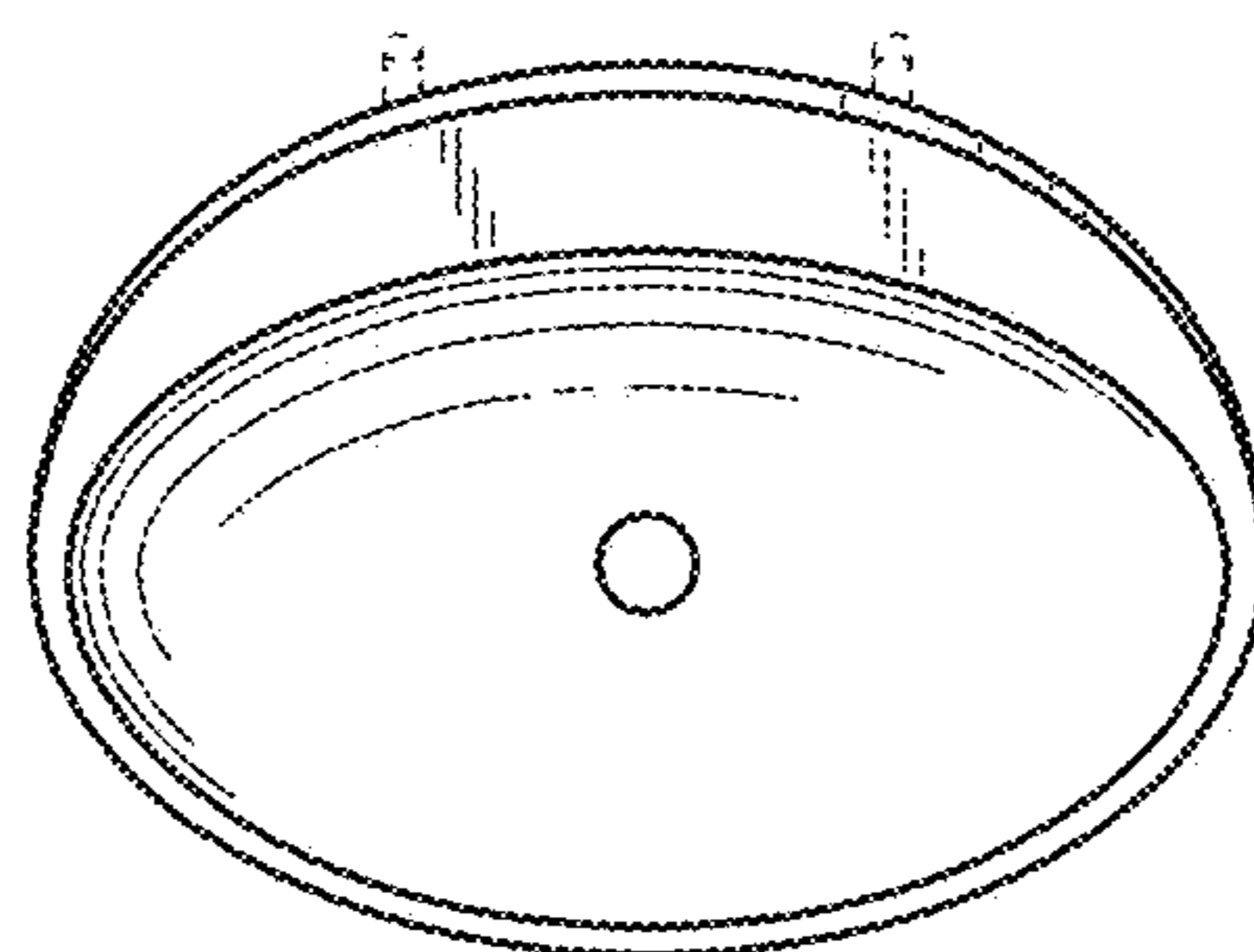


Fig. 5

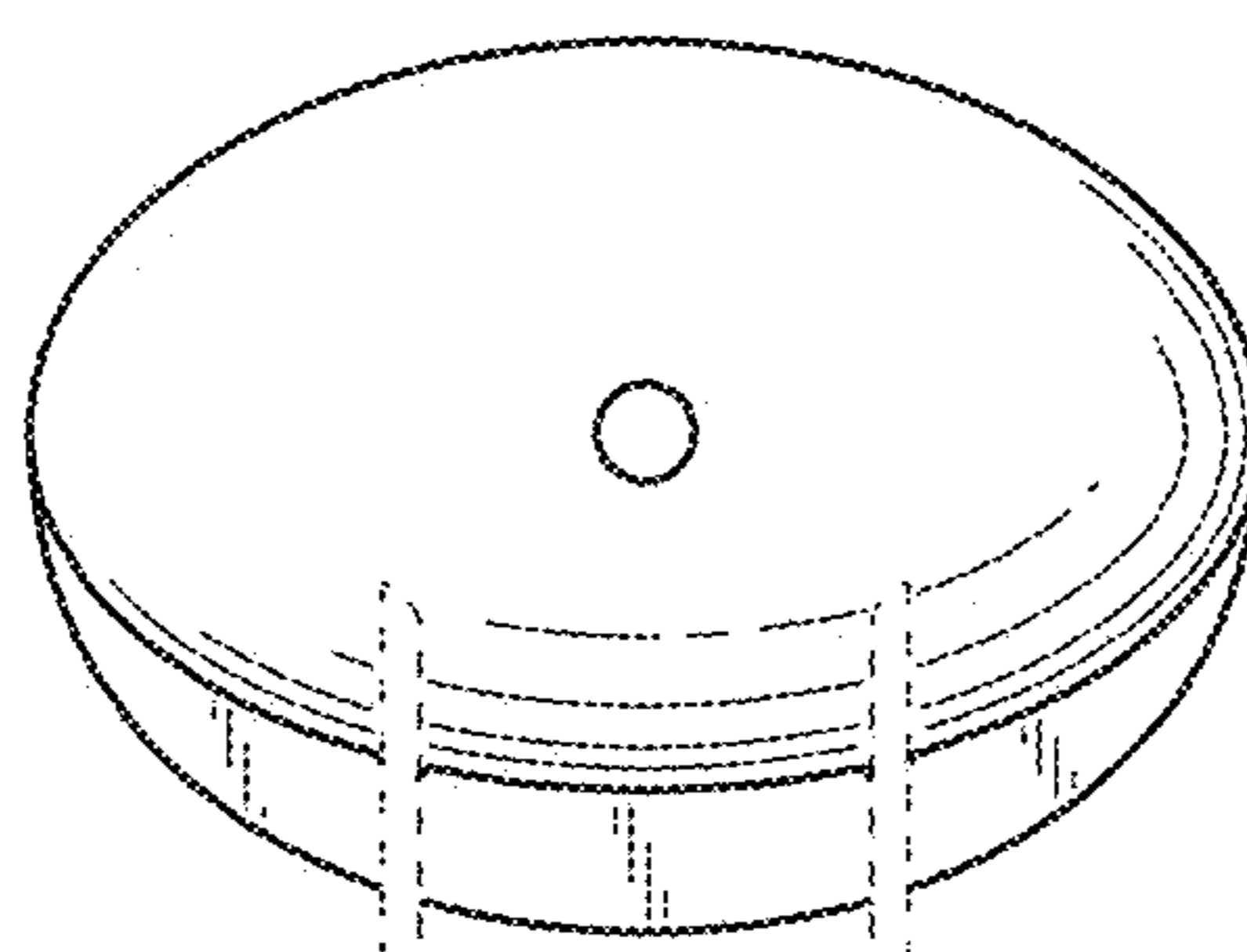


Fig. 6