



US00D695036S

(12) **United States Design Patent**
Pesso

(10) **Patent No.:** **US D695,036 S**

(45) **Date of Patent:** **** *Dec. 10, 2013**

(54) **CHAIR**

(71) Applicant: **David A. Pesso**, Boca Raton, FL (US)

(72) Inventor: **David A. Pesso**, Boca Raton, FL (US)

(73) Assignee: **Beaufurn, LLC**, Advance, NC (US)

(*) Notice: This patent is subject to a terminal disclaimer.

(**) Term: **14 Years**

(21) Appl. No.: **29/436,706**

(22) Filed: **Nov. 8, 2012**

(51) **LOC (9) Cl.** **06-01**

(52) **U.S. Cl.**
USPC **D6/380**; D6/360

(58) **Field of Classification Search**
USPC D6/334-336, 360, 370, 374, 375, 376,
D6/379, 380, 716, 716.1, 716.2, 716.3,
D6/716.4; 297/183.7, 239, 445.1, 446.1,
297/446.2, 449.1, 452.2

See application file for complete search history.

(56) **References Cited**

U.S. PATENT DOCUMENTS

D352,185 S *	11/1994	Pagnon et al.	D6/380
D353,498 S *	12/1994	Cox	D6/380
D391,412 S *	3/1998	James et al.	D6/379
D429,911 S *	8/2000	Bartlmae	D6/380
D468,926 S *	1/2003	Bongaerts	D6/380
D498,071 S *	11/2004	Ashby et al.	D6/374
D502,331 S *	3/2005	Socha et al.	D6/374
D647,320 S *	10/2011	Young	D6/380
D649,804 S *	12/2011	Keller et al.	D6/376
D673,787 S *	1/2013	Bartlmae	D6/380

* cited by examiner

Primary Examiner — Mimoso De

(74) *Attorney, Agent, or Firm* — MacCord Mason PLLC

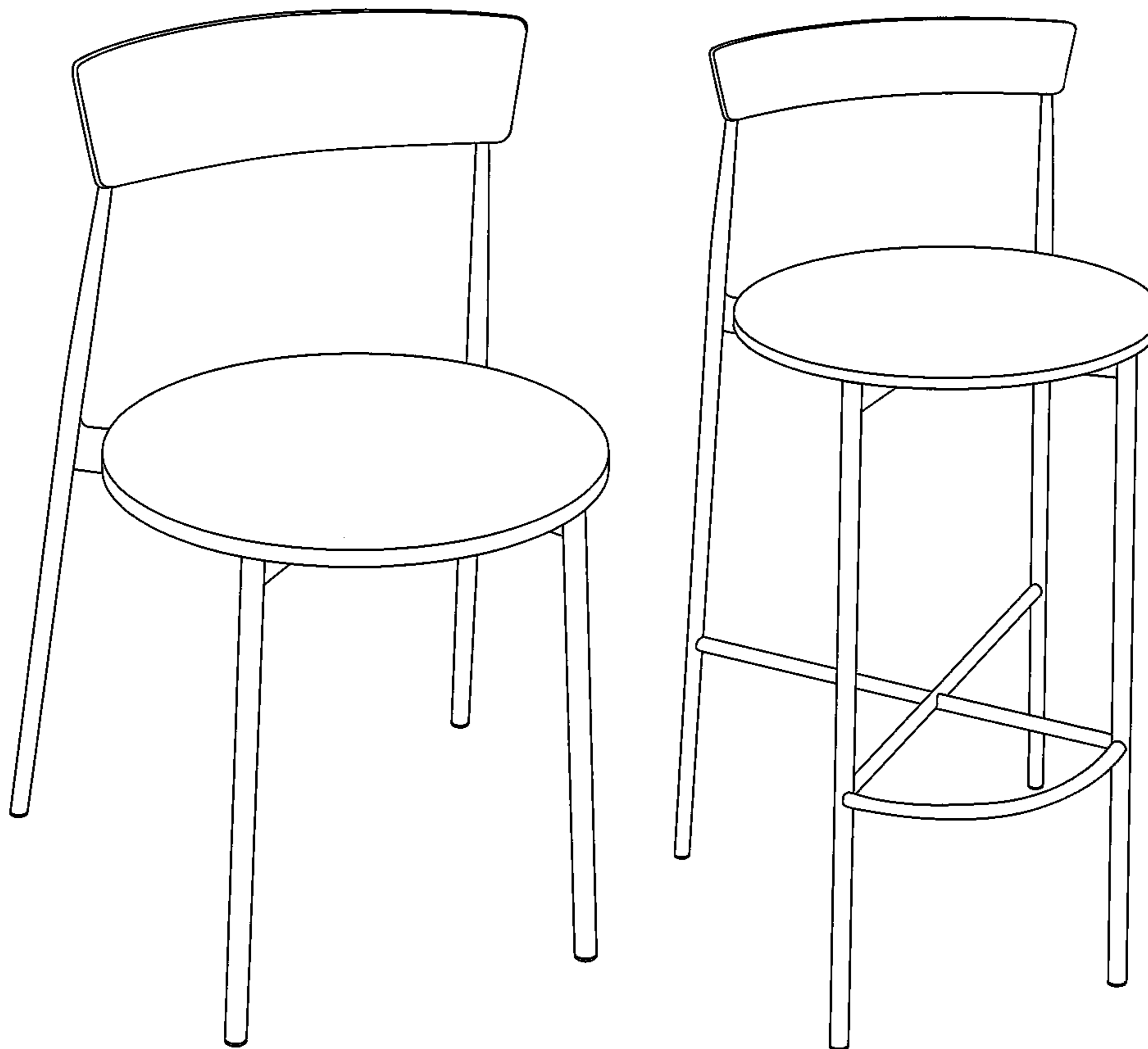
(57) **CLAIM**

The ornamental design for a chair, as shown and described.

DESCRIPTION

FIG. 1 is a front perspective view of a chair showing my new design;
FIG. 2 is a front view thereof;
FIG. 3 is a right side view, the opposite side being a mirror image thereof;
FIG. 4 is a back view thereof;
FIG. 5 is a top view thereof; and,
FIG. 6 is a perspective view of an alternative embodiment of the chair in FIG. 1.

1 Claim, 6 Drawing Sheets



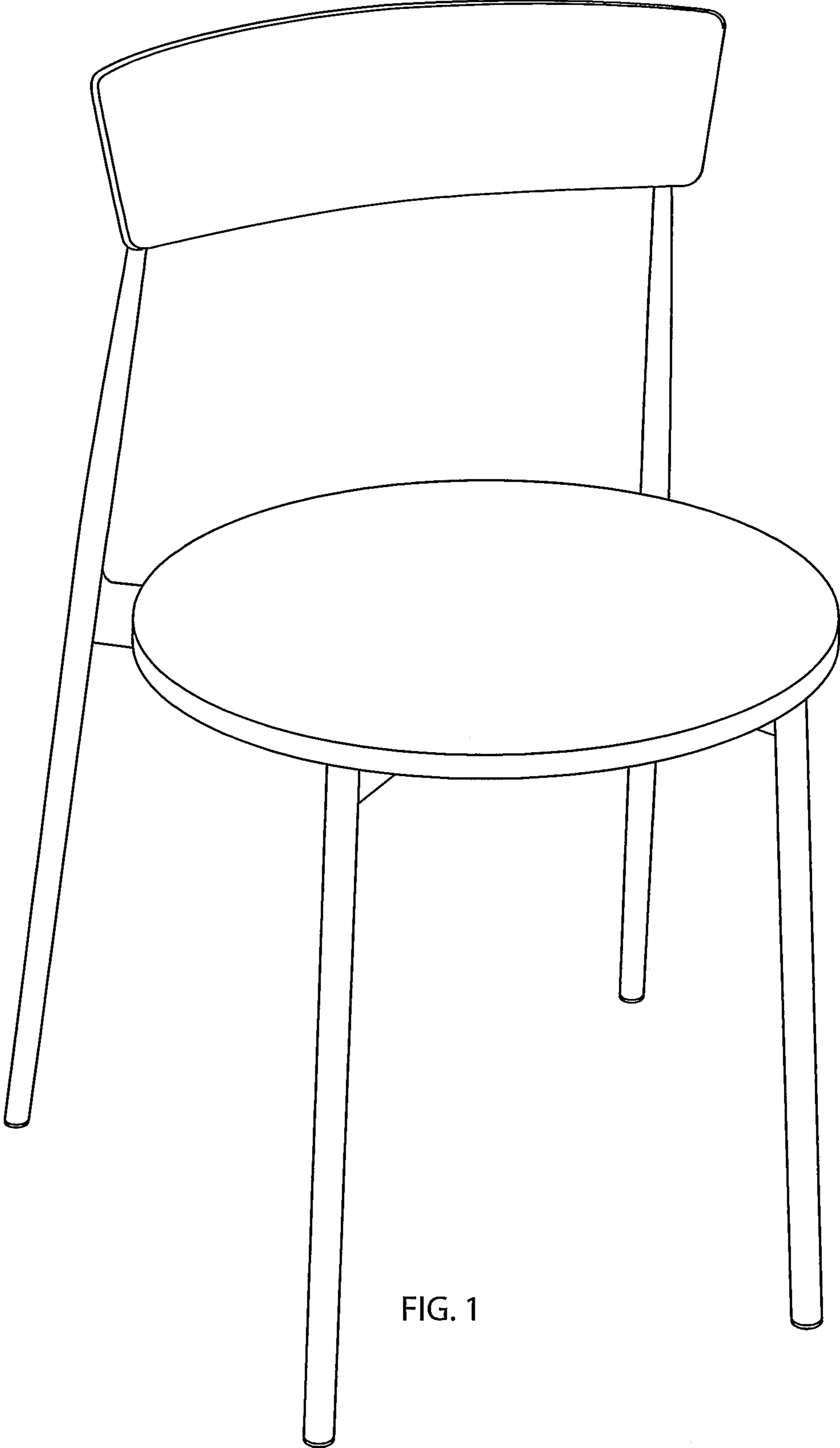


FIG. 1

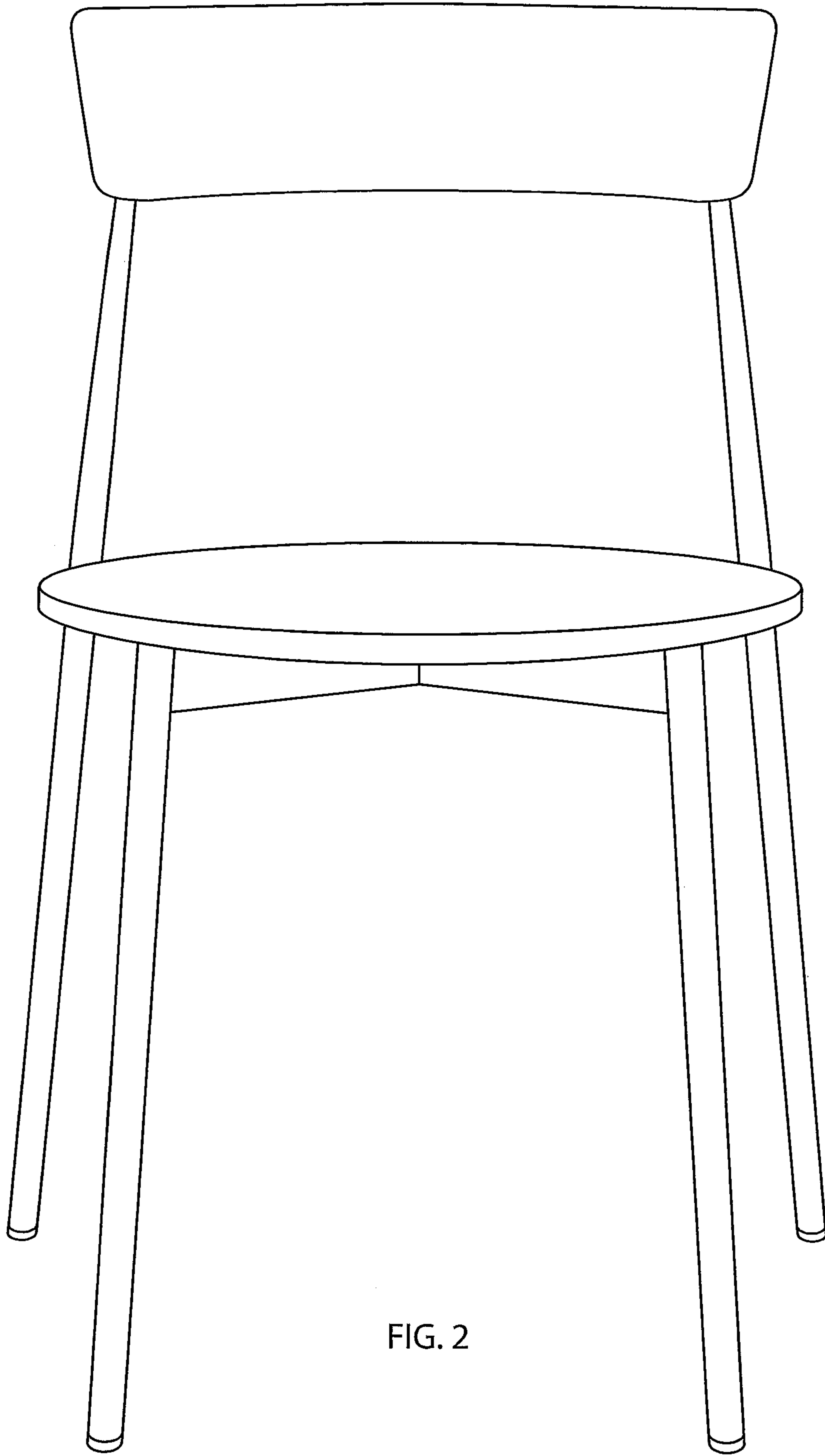


FIG. 2

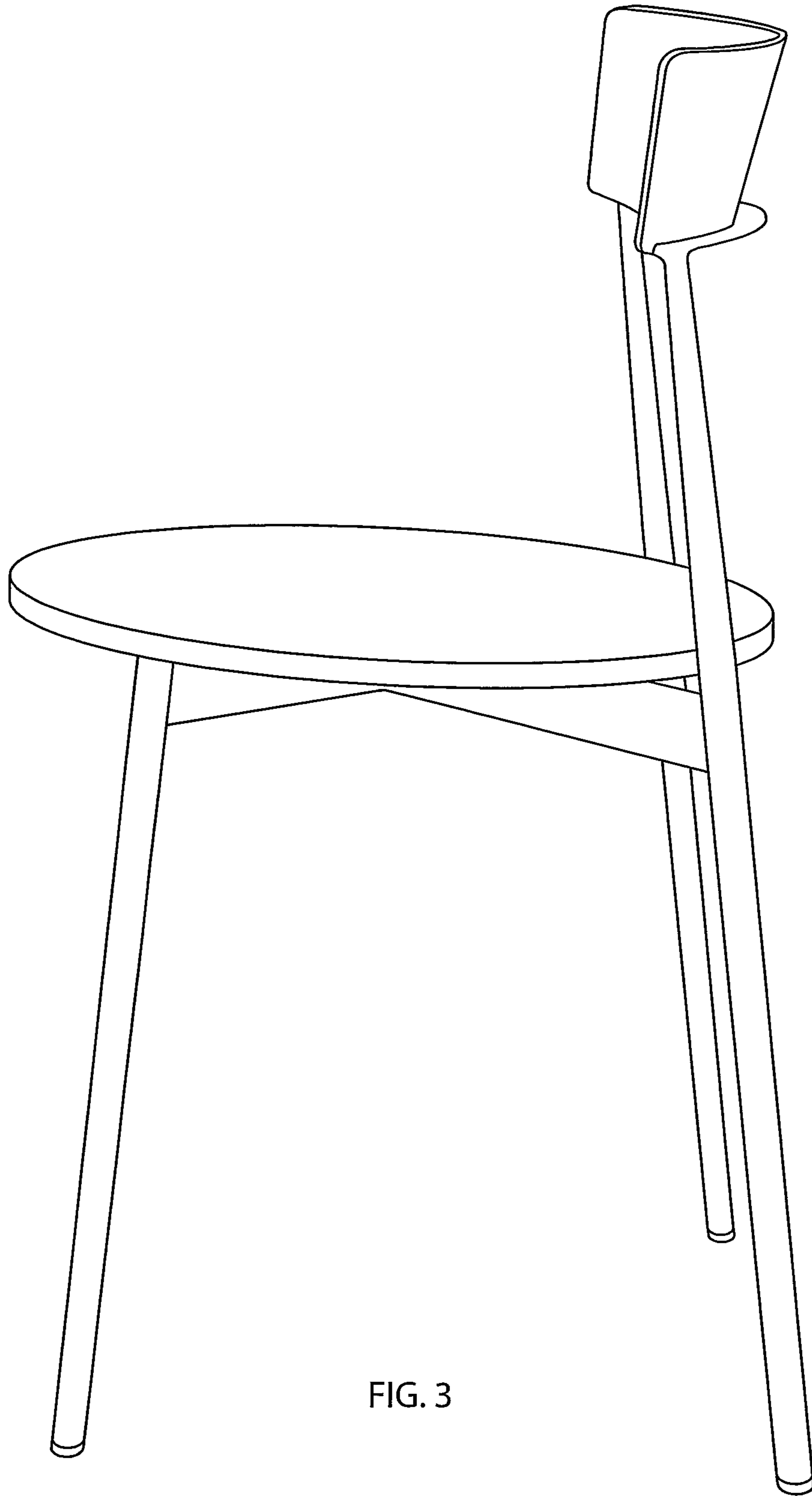


FIG. 3

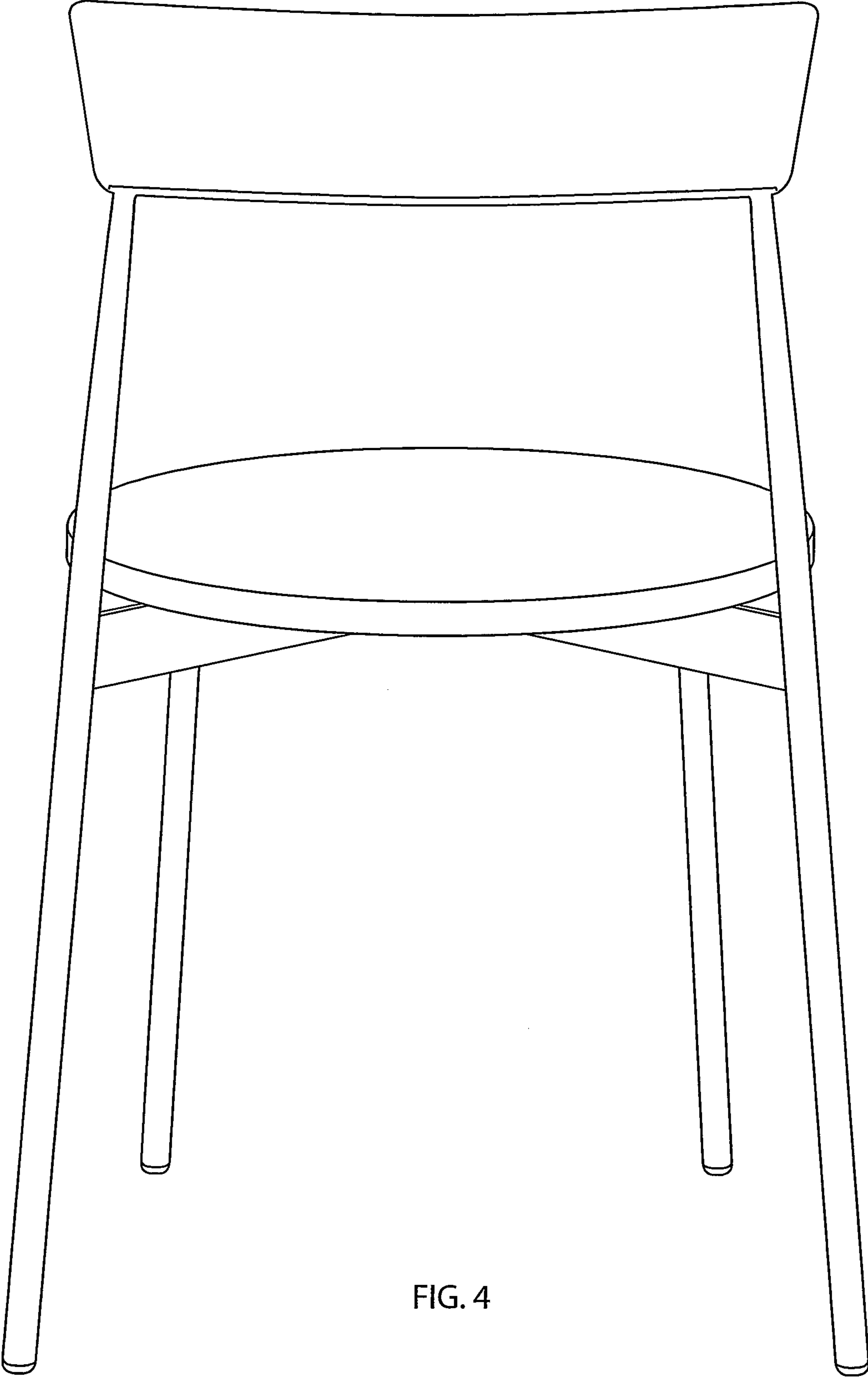


FIG. 4

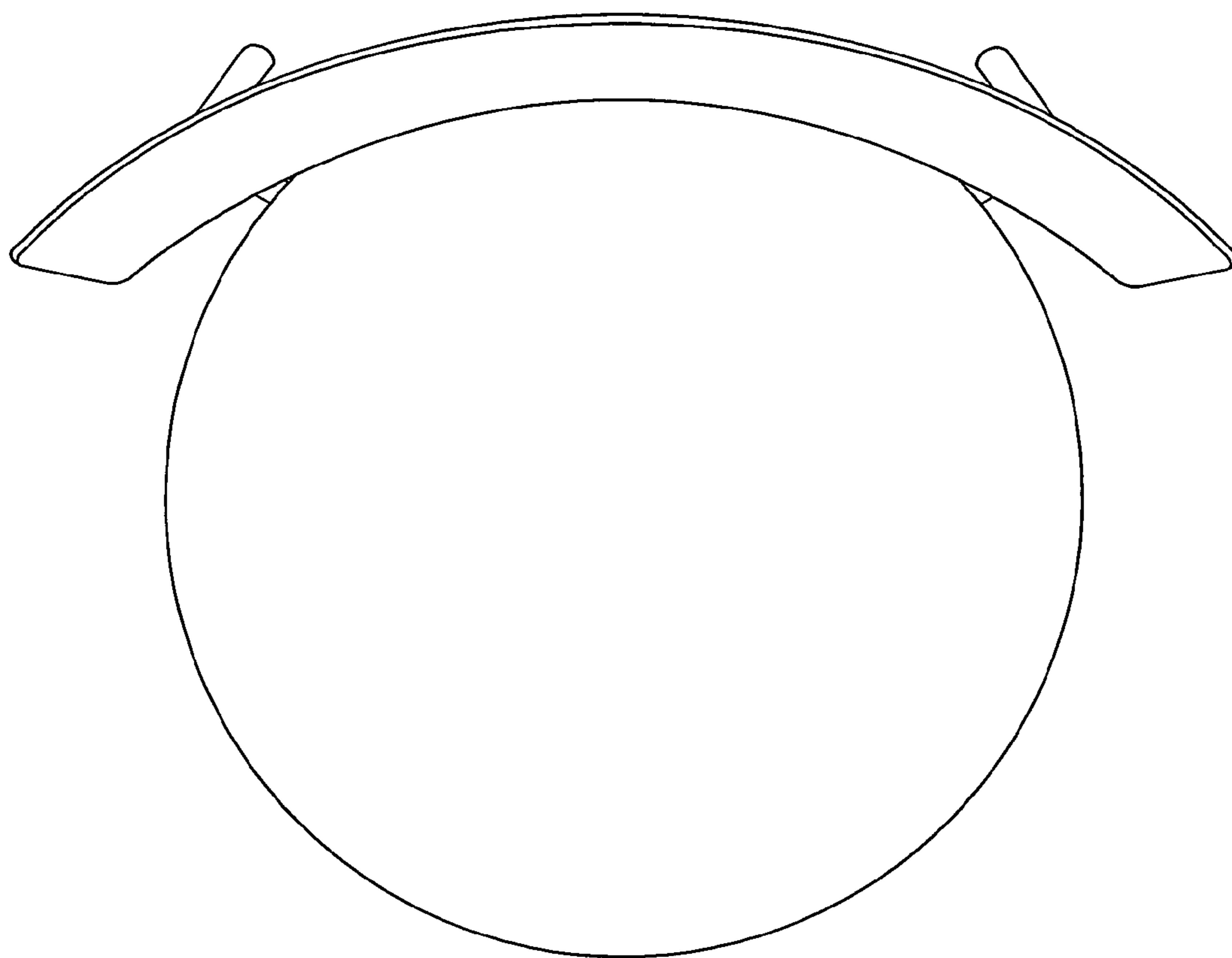


FIG. 5

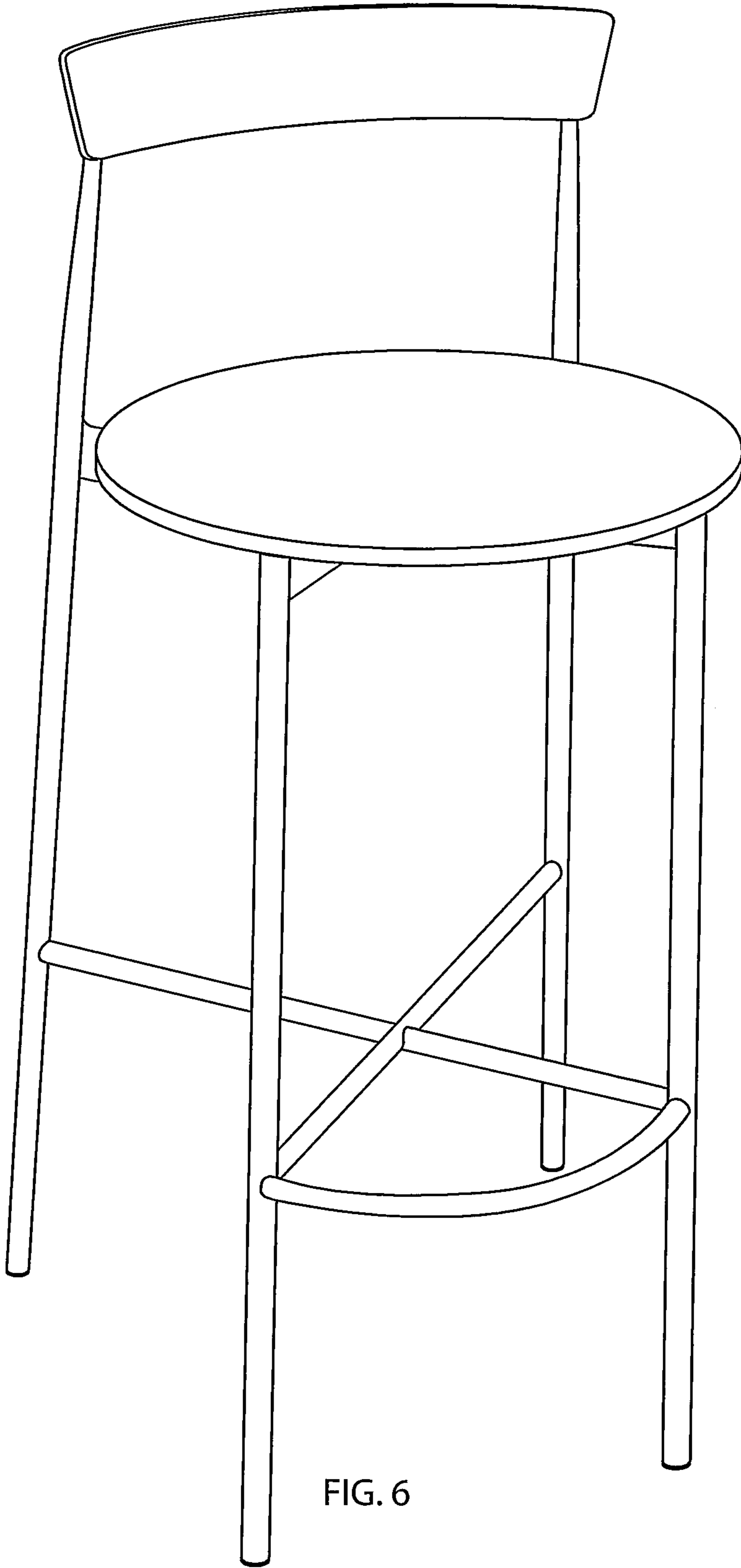


FIG. 6