



US00D695035S

(12) **United States Design Patent**
Ciani et al.

(10) **Patent No.:** **US D695,035 S**

(45) **Date of Patent:** **** Dec. 10, 2013**

(54) **COUCH**

(76) Inventors: **Edi Ciani**, San Giovanni al Natisone (IT); **Paolo Ciani**, San Giovanni al Natisone (IT)

(**) Term: **14 Years**

(21) Appl. No.: **29/424,090**

(22) Filed: **Jun. 7, 2012**

(51) **LOC (9) Cl.** **06-01**

(52) **U.S. Cl.**

USPC **D6/377**

(58) **Field of Classification Search**

USPC D6/334–336, 361, 364, 371, 372, 373, D6/374, 377, 381, 716, 716.1, 716.2, D6/716.3, 716.4; 5/12.1, 12.2; 297/232, 297/283.2, 283.3, 445.1, 446.1, 447.3, 297/448.1, 448.2

See application file for complete search history.

(56) **References Cited**

U.S. PATENT DOCUMENTS

D174,584 S * 4/1955 Michlin D6/377
D174,827 S * 5/1955 Michlin D6/377
D174,960 S * 6/1955 Michlin D6/377

D368,174 S * 3/1996 Lewis D6/377
D390,021 S * 2/1998 Smith D6/361
D444,957 S * 7/2001 Kagan D6/377
D647,317 S * 10/2011 Urquiola D6/377
D682,575 S * 5/2013 Versace D6/377

* cited by examiner

Primary Examiner — Mimososa De

(57) **CLAIM**

The ornamental design for a couch, as shown and described.

DESCRIPTION

FIG. 1 is a perspective view of a couch showing my new design;
FIG. 2 is a front elevational view thereof;
FIG. 3 is a rear elevational view thereof;
FIG. 4 is a top plan view thereof;
FIG. 5 is a bottom plan view thereof;
FIG. 6 is a left side elevational view thereof; and,
FIG. 7 is a right side elevational view thereof.
The broken lines shown on the figures are for illustrative purposes only and are hereby disclaimed as forming no part of Applicant's claimed invention.

1 Claim, 2 Drawing Sheets

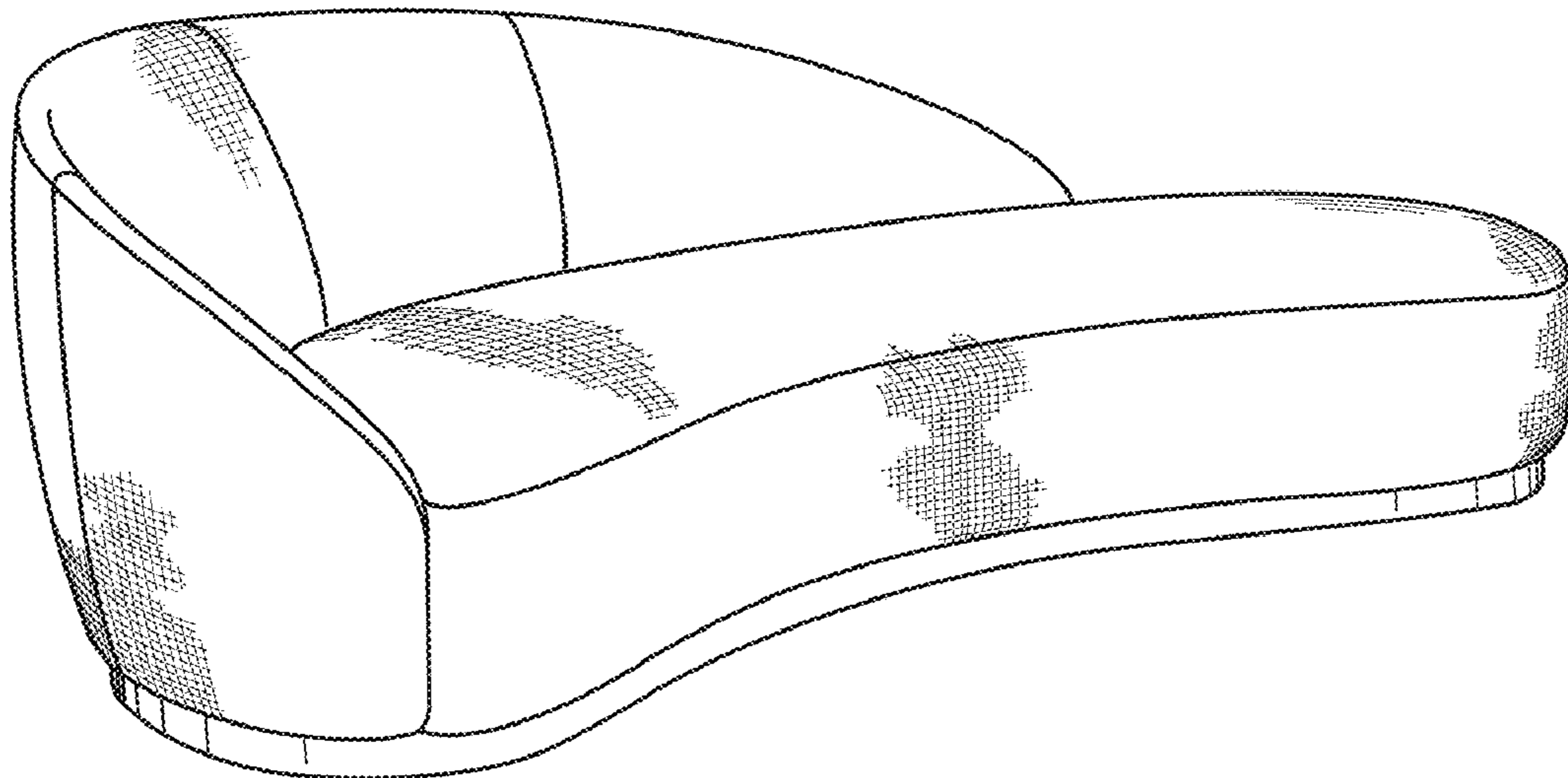


Fig. 1

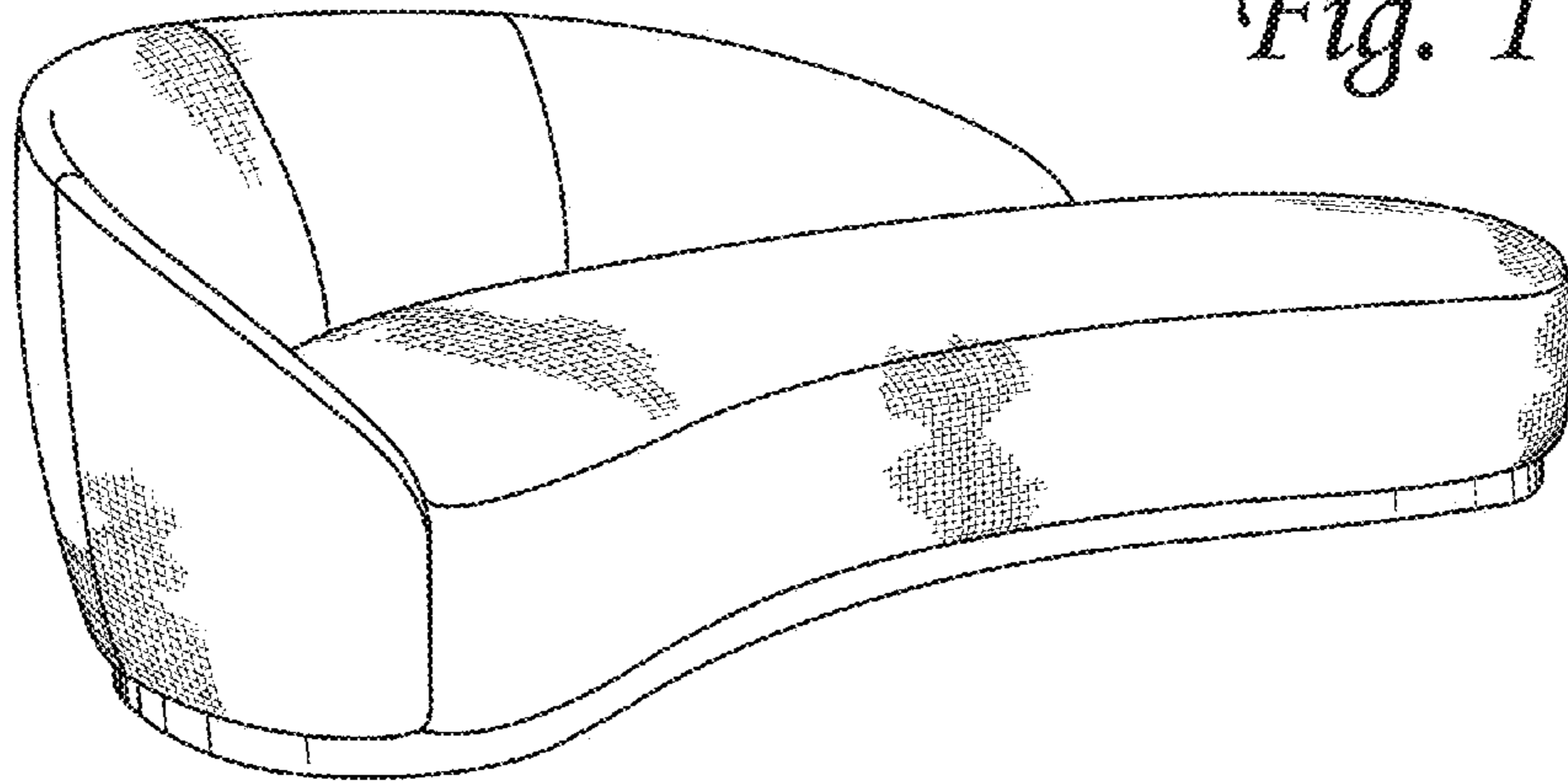


Fig. 2

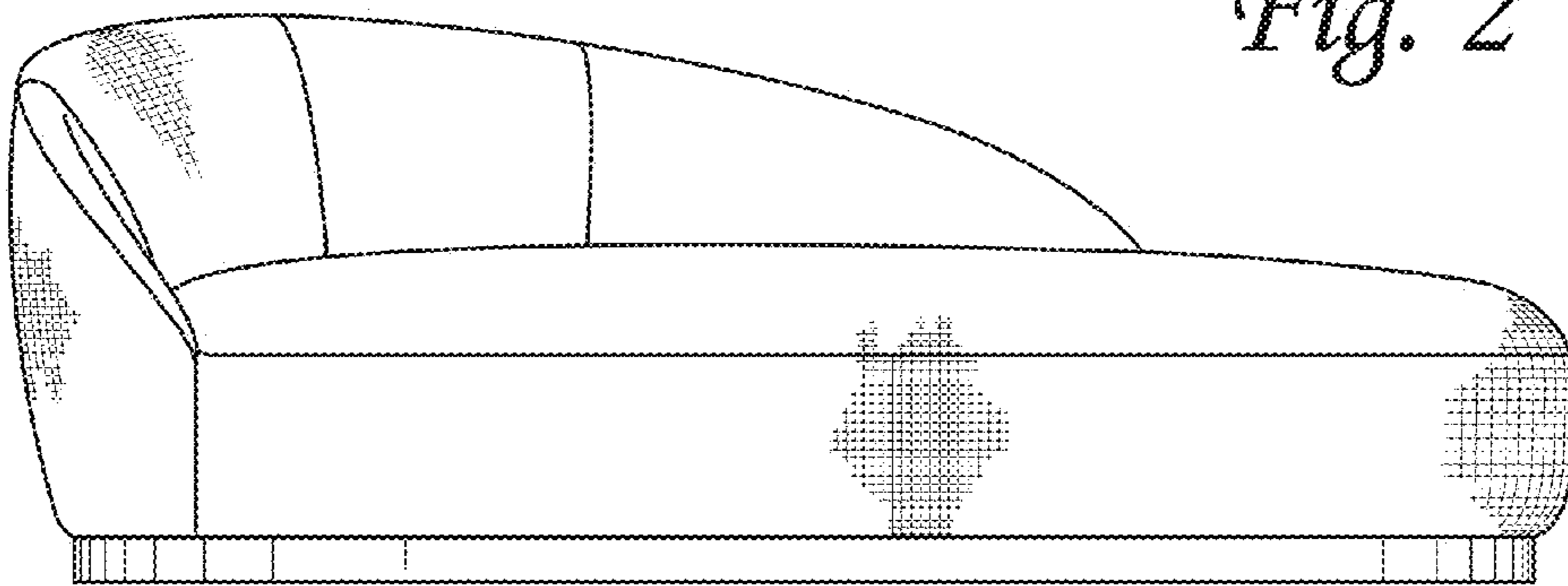


Fig. 3

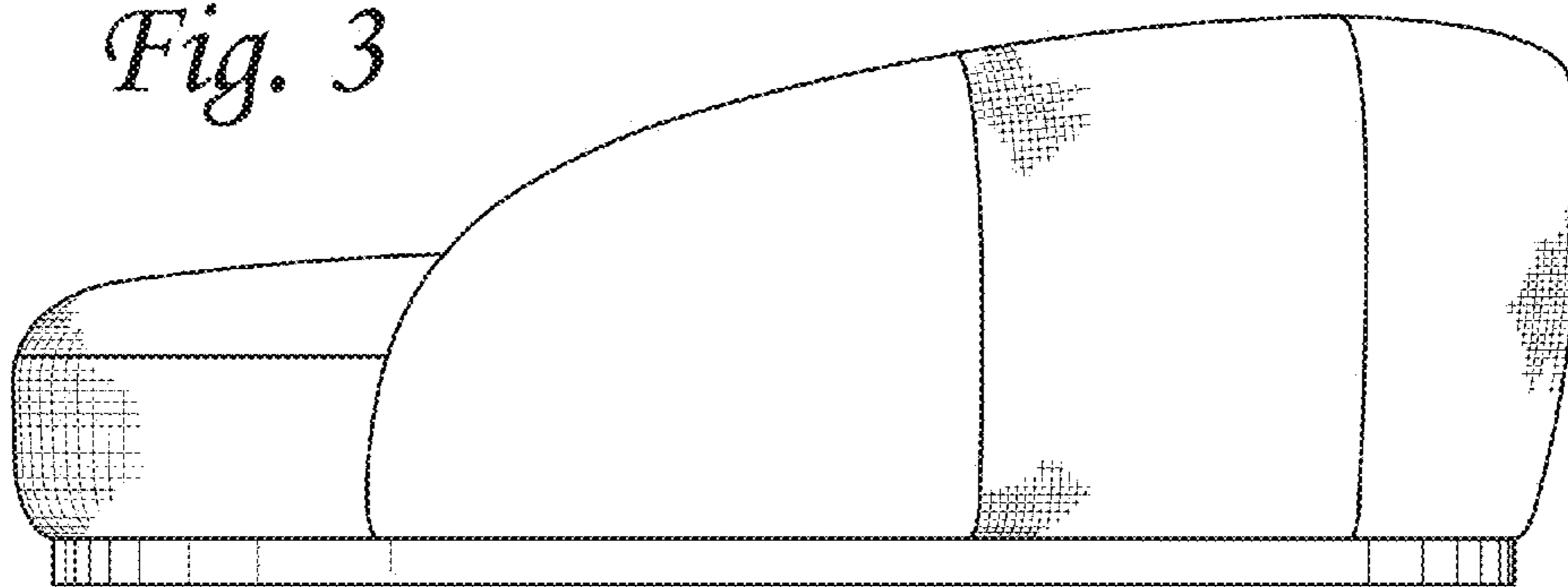


Fig. 4

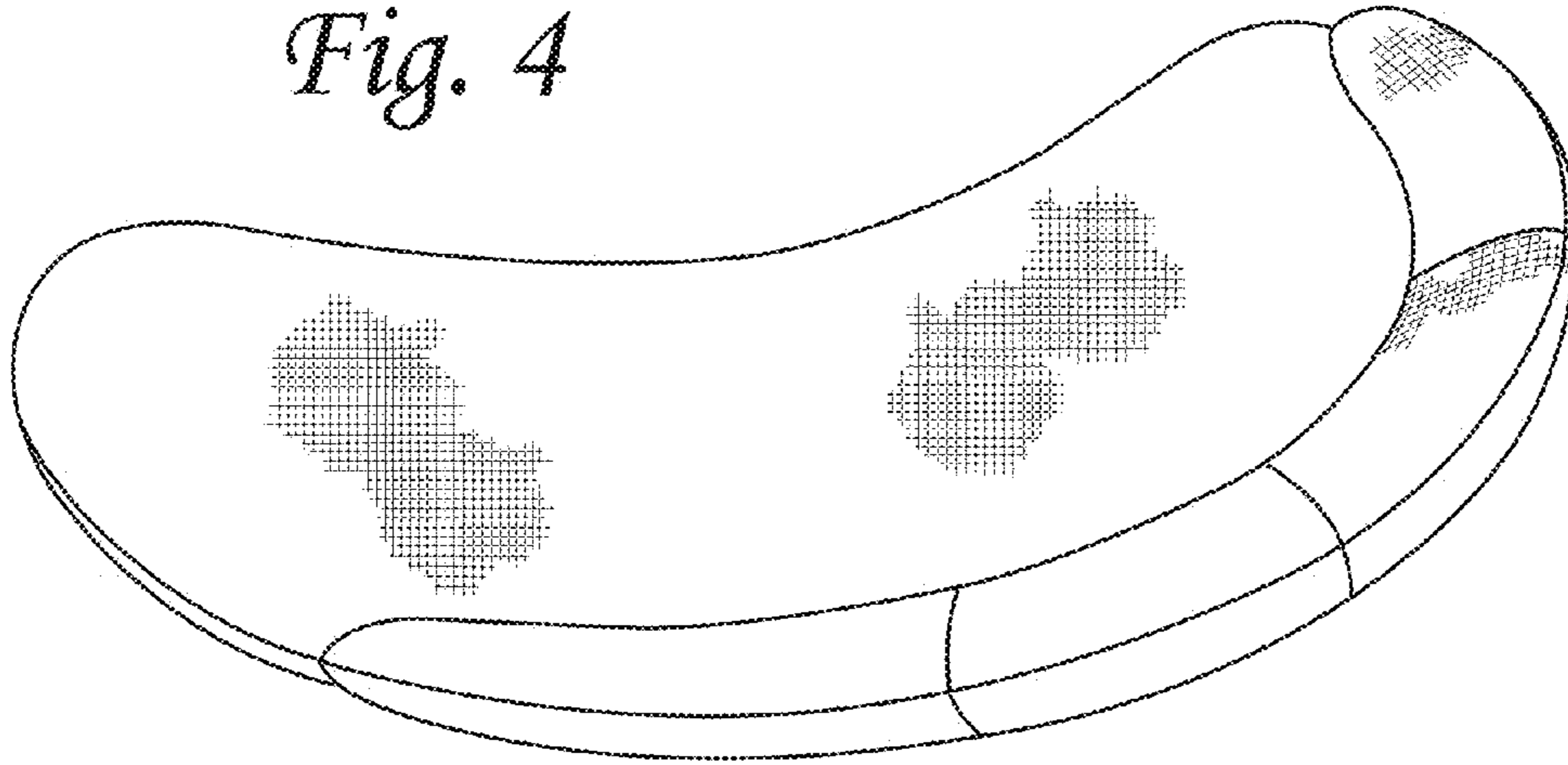


Fig. 5

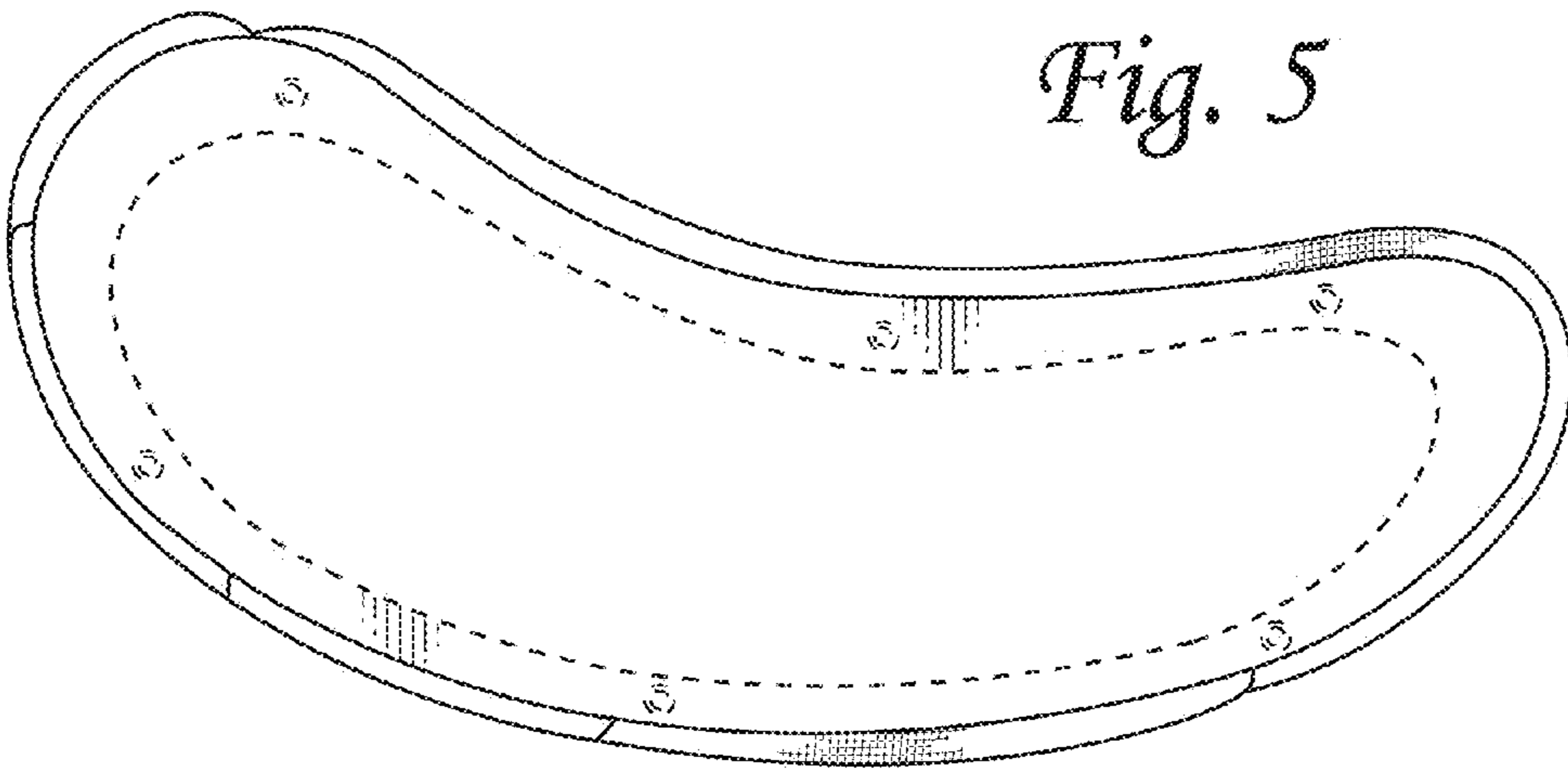


Fig. 6

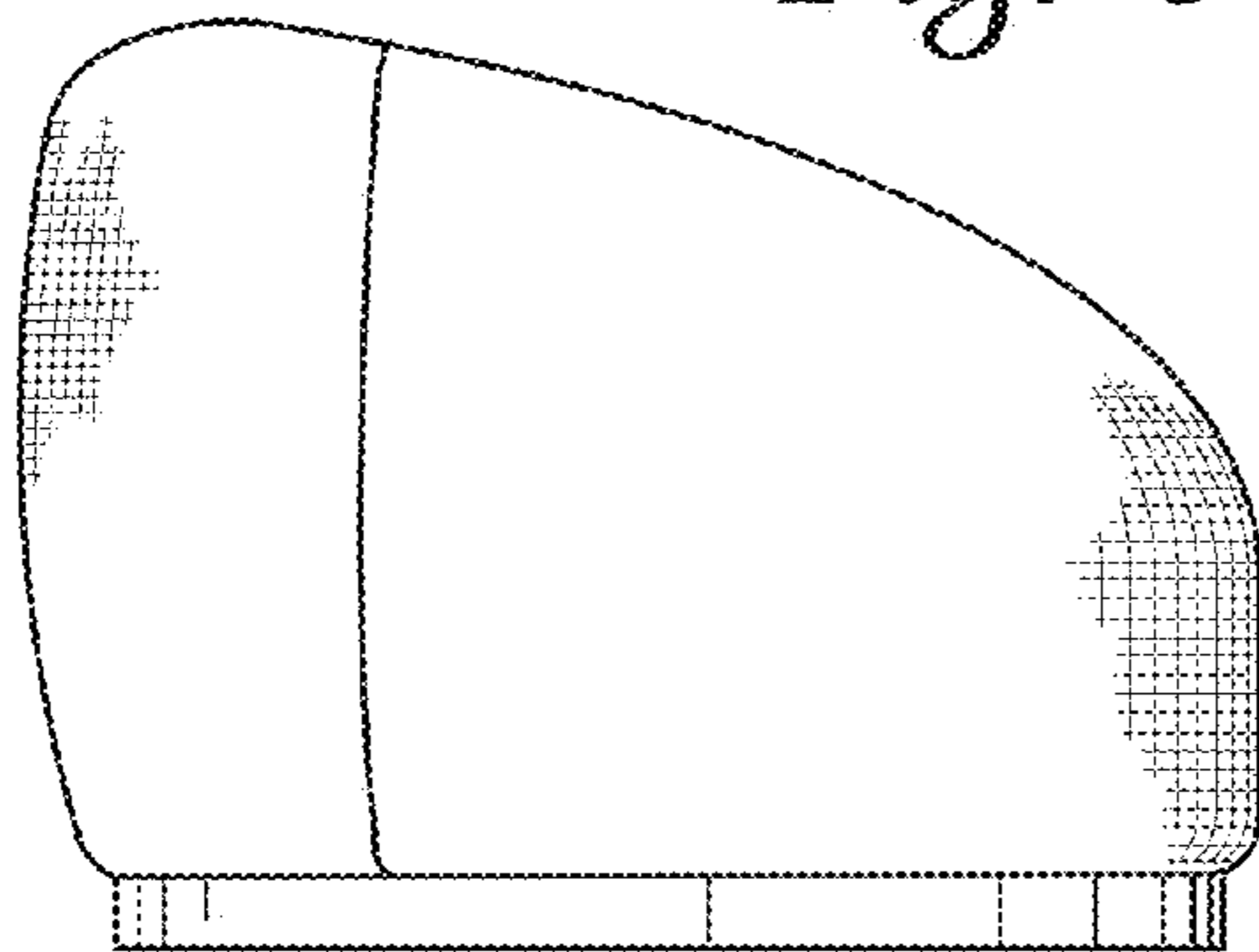


Fig. 7

